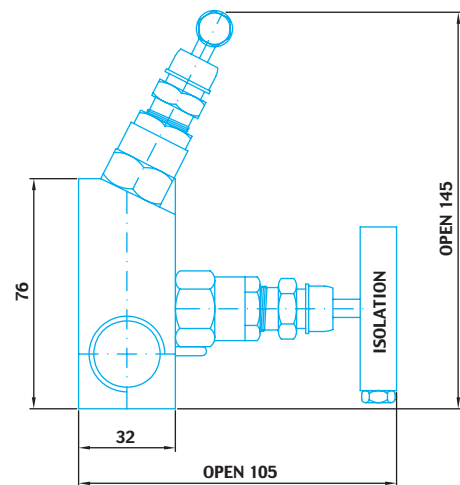
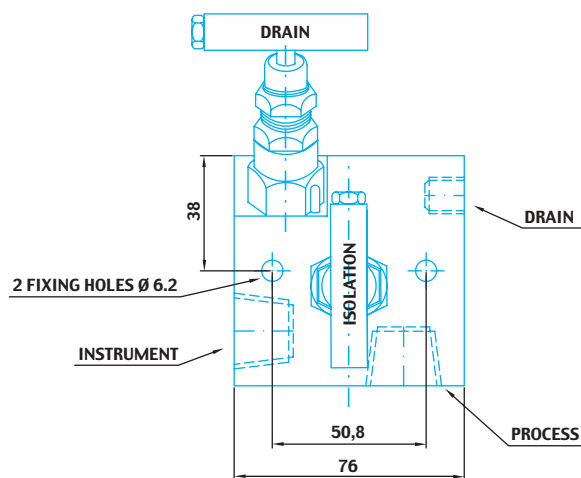


## 2R11



**Description:** 2 valves manifold – remote mounting  
**Descripción:** Manifold 2 valvulas – conexiones remota  
**Description:** Manifold 2 vannes – montage à distance

**Connections:** Process: 1/2" NPT-F  
 Instrument: 1/2" NPT-F  
 Drain: 1/4" NPT-F + plug

**Conexiones:** Proceso: 1/2" NPT-F  
 Instrumento: 1/2" NPT-F  
 Purga: 1/4" NPT-F + tapon

**Connections:** Process: 1/2" NPT-F  
 Instrument: 1/2" NPT-F  
 Purge: 1/4" NPT-F + bouchon

**Pressure rating:**  
**Presion de servicio:** 6000 psi  
**Pression:**

**Material:**  
**Material:** A105, AISI 316/L, Monel, Hastelloy, ...  
**Materiaux:**

**Gland Packing:** PTFE (for temperature up to 180 °C)  
 Graphoil (for temperature over 180 °C)  
**Estopada:** PTFE (para temperatura hasta 180 °C)  
 Graphoil (para temperatura mas de 180 °C)

**Guarniture:** PTFE (pour temperature jusqu'à 180 °C)  
 Graphoil (pour temperature plus de 180 °C)

**Model:**  
**Modelo:** 2R11  
**Modèle:**