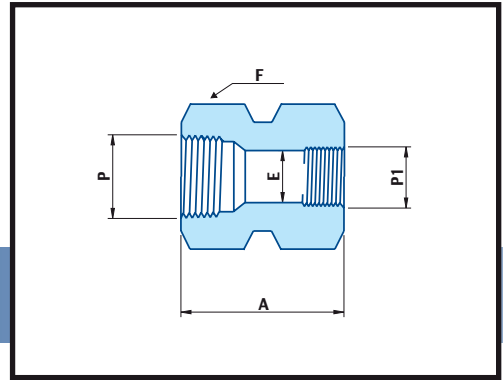


HEX REDUCING COUPLING

MR



P NPT FEMALE	P1 NPT FEMALE	A	E	F	PART No.
1/4"	1/8"	31.0	8.6	19	4 - MR - 2
3/8"	1/4"	35.0	11.4	22	6 - MR - 4
1/2"	1/8"	39.6	8.6	27	8 - MR - 2
1/2"	1/4"	44.5	11.4	27	8 - MR - 4
1/2"	3/8"	45.2	15.0	27	8 - MR - 6
3/4"	1/4"	46.0	11.4	32	12 - MR - 4
3/4"	1/2"	52.3	18.5	32	12 - MR - 8
1"	1/2"	55.6	18.5	41	16 - MR - 8
1"	3/4"	57.2	23.8	41	16 - MR - 12