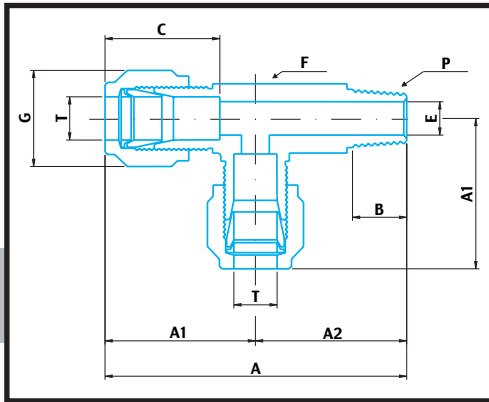


MALE RUN TEE

TML

Metric OD tube x Male NPT thread

T TUBE OD	P NPT MALE	A	A1	A2	B	C	E	F	G	PART No.
3	1/8"	41.4	23.6	17.8	9.6	12.9	2.4	11	11	M - 3 - 2 - TML
3	1/4"	48.0	24.6	23.4	14.3	12.9	2.4	14	11	M - 3 - 4 - TML
6	1/8"	45.8	27.0	18.8	9.6	15.3	4.8	14	14	M - 6 - 2 - TML
6	1/4"	50.4	27.0	23.4	14.3	15.3	4.8	14	14	M - 6 - 4 - TML
6	3/8"	56.0	29.8	26.2	14.3	15.3	4.8	17	14	M - 6 - 6 - TML
8	1/4"	53.2	28.8	24.4	14.3	16.2	6.3	14	16	M - 8 - 4 - TML
8	3/8"	56.8	30.6	26.2	14.3	16.2	6.3	17	16	M - 8 - 6 - TML
8	1/2"	65.6	32.6	33.0	19.1	16.2	6.3	22	16	M - 8 - 8 - TML
10	1/4"	57.7	31.5	26.2	14.3	17.2	7.1	17	19	M - 10 - 4 - TML
10	3/8"	57.7	31.5	26.2	14.3	17.2	7.9	17	19	M - 10 - 6 - TML
10	1/2"	66.5	33.5	33.0	19.1	17.2	7.9	22	19	M - 10 - 8 - TML
12	1/4"	62.2	36.0	26.2	14.3	22.8	7.1	22	22	M - 12 - 4 - TML
12	3/8"	62.2	36.0	28.2	14.3	22.8	9.5	22	22	M - 12 - 6 - TML
12	1/2"	69.0	36.0	33.0	19.1	22.8	9.5	22	22	M - 12 - 8 - TML
16	1/2"	73.1	38.0	35.1	19.1	24.4	11.9	24	25	M - 16 - 8 - TML
25	3/4"	90.8	49.1	41.7	19.1	31.3	15.8	35	38	M - 25 - 12 - TML
25	1"	95.6	49.1	46.5	23.8	31.3	21.8	35	38	M - 25 - 16 - TML
30	1.1/4"	120.0	66.9	53.1	23.8	39.6	26.2	45	50	M - 30 - 20 - TML
32	1.1/4"	125.4	72.3	53.1	23.8	42.0	27.6	45	50	M - 32 - 20 - TML
38	1.1/2"	144.4	84.0	60.4	26.2	49.4	33.7	55	60	M - 38 - 24 - TML



MALE RUN TEE

TML

Inch OD tube x Male NPT thread

T TUBE OD	P NPT MALE	A	A1	A2	B	C	E	F	G	PART No.
1/8"	1/8"	41.4	23.6	17.8	9.6	12.7	2.4	11	11	P - 2 - 2 - TML
1/8"	1/4"	48.0	24.6	23.4	14.3	12.7	2.4	14	11	P - 2 - 4 - TML
1/4"	1/8"	45.7	26.9	18.8	9.6	15.3	4.8	14	14	P - 4 - 2 - TML
1/4"	1/4"	50.3	23.4	26.9	14.3	15.3	4.8	14	14	P - 4 - 4 - TML
1/4"	3/8"	55.9	29.7	26.2	14.3	15.3	4.8	17	14	P - 4 - 6 - TML
1/4"	1/2"	64.8	31.8	33.0	19.1	15.3	4.8	22	14	P - 4 - 8 - TML
3/8"	1/4"	55.9	30.5	25.4	14.3	16.8	7.1	17	17	P - 6 - 4 - TML
3/8"	3/8"	57.4	31.2	26.2	14.3	16.8	7.1	17	17	P - 6 - 6 - TML
3/8"	1/2"	66.0	33.0	33.0	19.1	16.8	7.1	22	17	P - 6 - 8 - TML
1/2"	1/4"	64.2	36.0	28.2	14.3	22.9	4.8	22	22	P - 8 - 4 - TML
1/2"	3/8"	64.2	36.0	28.2	14.3	22.9	9.6	22	22	P - 8 - 6 - TML
1/2"	1/2"	69.0	36.0	33.0	19.1	22.9	10.4	22	22	P - 8 - 8 - TML
5/8"	1/2"	73.1	38.1	35.0	19.1	24.4	11.9	22	25	P - 10 - 8 - TML
3/4"	1/2"	76.7	39.9	36.8	19.1	24.4	11.9	27	28.5	P - 12 - 8 - TML
3/4"	3/4"	76.7	39.9	36.8	19.1	24.4	15.8	27	28.5	P - 12 - 12 - TML
1"	3/4"	90.6	49.0	41.6	19.1	31.2	15.8	35	38	P - 16 - 12 - TML
1"	1"	95.5	49.0	46.5	23.8	31.2	22.3	35	38	P - 16 - 16 - TML
1.1/4"	1.1/4"	114.1	66.5	47.6	23.8	41.2	27.6	46	50	P - 20 - 20 - TML
1.1/2"	1.1/2"	138.4	78.0	60.4	26.2	50.0	34.0	55	60	P - 24 - 24 - TML