

# bulk

INSTRUMENT BULK MATERIAL

## DOUBLE FERRULE TUBE FITTINGS

THE SAME ATTITUDE FROM THE  
**BEGINNING SINCE 1999**



# Welcome to **BULK**

**BULK srl** has been serving the market since 1999, providing high quality products and solutions worldwide.

Our customers, located in more than 65 countries, include most of the biggest players in the Oil & Gas industries.




**BULK srl**, an ISO 9001 certified company, manufactures:








-  GRP INSTRUMENT ENCLOSURES
-  GRP INSTRUMENT SUNSHADES
-  INSTRUMENT MANIFOLDS
-  DOUBLE FERRULE COMPRESSION FITTINGS












Description	Page
GENERAL INFORMATION	04
ASSEMBLY INSTRUCTION	05
HOW TO ORDER	06

	Description	Model	Page
	MALE CONNECTOR METRIC TUBING x NPT THREAD	DM	07
	MALE CONNECTOR METRIC TUBING x BSPT THREAD	DM	08
	MALE CONNECTOR METRIC TUBING x BSPP THREAD	DM	09
	MALE CONNECTOR FRACTIONAL TUBING x NPT THREAD	DM	10
	MALE CONNECTOR FRACTIONAL TUBING x BSPT THREAD	DM	11
	MALE CONNECTOR FRACTIONAL TUBING x BSPP THREAD	DM	12
	FEMALE CONNECTOR METRIC TUBING x NPT THREAD	DF	13
	FEMALE CONNECTOR METRIC TUBING x BSPT THREAD	DF	14
	FEMALE CONNECTOR METRIC TUBING x BSPP THREAD	DF	15
	FEMALE CONNECTOR FRACTIONAL TUBING x NPT THREAD	DF	16
	FEMALE CONNECTOR FRACTIONAL TUBING x BSPT THREAD	DF	17
	FEMALE CONNECTOR FRACTIONAL TUBING x BSPP THREAD	DF	18
	MALE ELBOW METRIC TUBING x NPT THREAD	GM	19
	MALE ELBOW METRIC TUBING x BSPT THREAD	GM	20
	MALE ELBOW METRIC TUBING x BSPP THREAD	GM	21
	MALE ELBOW FRACTIONAL TUBING x NPT THREAD	GM	22
	MALE ELBOW FRACTIONAL TUBING x BSPT THREAD	GM	23
	MALE ELBOW FRACTIONAL TUBING x BSPP THREAD	GM	24





	Description	Model	Page
	FEMALE ELBOW METRIC TUBING x NPT THREAD	GF	25
	FEMALE ELBOW METRIC TUBING x BSPT THREAD	GF	26
	FEMALE ELBOW METRIC TUBING x BSPP THREAD	GF	27
	FEMALE ELBOW FRACTIONAL TUBING x NPT THREAD	GF	28
	FEMALE ELBOW FRACTIONAL TUBING x BSPT THREAD	GF	29
	FEMALE ELBOW FRACTIONAL TUBING x BSPP THREAD	GF	30
	STRAIGHT UNION METRIC TUBING	UD	31
	STRAIGHT UNION FRACTIONAL TUBING	UD	32
	REDUCING UNION METRIC TUBING	UR	33
	REDUCING UNION FRACTIONAL TUBING	UR	34
	BULKHEAD UNION METRIC TUBING	UP	35
	BULKHEAD UNION FRACTIONAL TUBING	UP	36
	UNION ELBOW METRIC TUBING	UG	37
	UNION ELBOW FRACTIONAL TUBING	UG	38
	UNION TEE METRIC TUBING	UT	39
	UNION TEE UT FRACTIONAL TUBING	UT	40
	UNION CROSS METRIC TUBING	UC	41
	UNION CROSS FRACTIONAL TUBING	UC	42







	Description	Model	Page
	DIELECTRIC UNION METRIC TUBING	UD-DU	43
	DIELECTRIC UNION FRACTIONAL TUBING	UD-DU	44
	BUTT WELD PIPE CONNECTOR METRIC TUBING	DBW	45
	BUTT WELD PIPE CONNECTOR FRACTIONAL TUBING	DBW	46
	SOCKET WELD TUBE CONNECTOR METRIC TUBING	DSW	47
	SOCKET WELD TUBE CONNECTOR FRACTIONAL TUBING	DSW	48
	BULKHEAD MALE CONNECTOR METRIC TUBING x NPT THREAD	DMP	49
	BULKHEAD MALE CONNECTOR FRACTIONAL TUBING x NPT THREAD	DMP	50
	BULKHEAD FEMALE CONNECTOR METRIC TUBING x NPT THREAD	DFP	51
	BULKHEAD FEMALE CONNECTOR FRACTIONAL TUBING x NPT THREAD	DFP	52
	REDUCER METRIC TUBING	R	53
	REDUCER FRACTIONAL TUBING	R	54
	MALE ADAPTER METRIC TUBING x NPT THREAD	AM	55
	MALE ADAPTER METRIC TUBING x BSPT THREAD	AM	56
	MALE ADAPTER METRIC TUBING x BSPP THREAD	AM	57
	MALE ADAPTER FRACTIONAL TUBING x NPT THREAD	AM	58
	MALE ADAPTER FRACTIONAL TUBING x BSPT THREAD	AM	59
	MALE ADAPTER FRACTIONAL TUBING x BSPP THREAD	AM	60

	Description	Model	Page
	FEMALE ADAPTER METRIC TUBING x NPT THREAD	AF	61
	FEMALE ADAPTER METRIC TUBING x BSPT THREAD	AF	62
	FEMALE ADAPTER METRIC TUBING x BSPP THREAD	AF	63
	FEMALE ADAPTER FRACTIONAL TUBING x NPT THREAD	AF	64
	FEMALE ADAPTER FRACTIONAL TUBING x BSPT THREAD	AF	65
	FEMALE ADAPTER FRACTIONAL TUBING x BSPP THREAD	AF	66
	PORT CONNECTOR METRIC TUBING	PC	67
	PORT CONNECTOR FRACTIONAL TUBING	PC	68
	MALE BRANCH TEE METRIC TUBING x NPT THREAD	TMC	69
	MALE BRANCH TEE FRACTIONAL TUBING x NPT THREAD	TMC	70
	MALE RUN TEE METRIC TUBING x NPT THREAD	TML	71
	MALE RUN TEE FRACTIONAL TUBING x NPT THREAD	TML	72
	FEMALE BRANCH TEE METRIC TUBING x NPT THREAD	TFC	73
	FEMALE BRANCH TEE FRACTIONAL TUBING x NPT THREAD	TFC	74
	FEMALE RUN TEE METRIC TUBING x NPT THREAD	TFL	75
	FEMALE RUN TEE FRACTIONAL TUBING x NPT THREAD	TFL	76
	TUBE END CLOSURE METRIC TUBING	TT	77
	TUBE END CLOSURE FRACTIONAL TUBING	TT	78



	Description	Model	Page
	FITTING END CLOSURE METRIC TUBING	TR	79
	FITTING END CLOSURE FRACTIONAL TUBING	TR	80
	NUT METRIC TUBING	D	81
	NUT FRACTIONAL TUBING	D	82
	FRONT FERRULE METRIC TUBING	FA	83
	FRONT FERRULE FRACTIONAL TUBING	FA	84
	BACK FERRULE METRIC TUBING	FP	85
	BACK FERRULE FRACTIONAL TUBING	FP	86

	Description	Model	Page
	TUBE INSERT METRIC TUBING	TI	87
	TUBE INSERT FRACTIONAL TUBING	TI	88
	THREADED FUSIBLE PLUG NPT THREAD	PFT	89
	METRIC TUBING FUSIBLE PLUG	PFF	90
	FRACTIONAL TUBING FUSIBLE PLUG	PFF	91
	VENT PROTECTOR NPT THREAD	VP	92



CONSTRUCTION MATERIAL

BULK compression fittings have all components made by the same material as the fitting body for thermal compatibility and corrosion resistance. Standard construction materials are listed on table

2 section "how to order". It is recommended that the tubing and fitting be of same material to allow positive sealing and to avoid galvanic corrosion.

PRESSURE AND TEMPERATURE RATING

BULK compression fittings are rated for working pressure higher than the tubing; therefore, pressure rating depends on choice of tubing which should be based on material, wall thickness and

temperature (see table below). Derating factors must be used to determinate tubing working pressure at high temperatures.

RECOMMENDED HARDNESS: 80 HRB OR LESS

Maximum allowable working pressure for fractional size seamless tubing (value in psi) @ 20 °C

Table with 13 columns: Tube O.D. (inch) and Tube Wall Thickness (inch) from 0,01" to 0,12". Rows list O.D. from 1/16" to 1". Includes a grey area for working pressure in psig for gas service.

Maximum allowable working pressure for metric size seamless tubing (value in bar) @ 20°C

Table with 11 columns: Tube O.D. (mm) and Tube Wall Thickness (mm) from 0,8 to 3. Rows list O.D. from 2 to 25 mm. Includes a grey area for working pressure in bar for gas service.

Tables are based on the following conditions:

- AISI 316/L stainless steel annealed seamless tubing ASTM A-269 / A-213.
• Metal temperature between -20° to 100° F, -29° to 38°C - Reference ANSI B31.3

Pressure reducing factors in high temperature applications

To determine allowable working pressure at elevated temperature, multiply max allowable working pressure at ambient temperature and factors which are shown in the table.

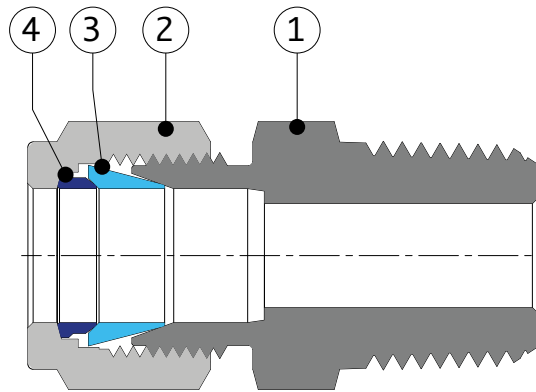
Table with 3 columns: Temperature (°C, °F) and Material (316/L). Rows show derating factors for temperatures 90, 200, 310, 480, 536, and 644.

Example:

316SS Tubing, 1/2 "ODx0.049" Wall Thickness at 310°C
Max allowable working pressure:
3700 psig x 0.85 = 3145 psig.



[Back to Index](#)



GENERAL INFORMATION

**BULK** compression fittings are made by four parts consisting of **body (1), nut (2), front ferrule (3), back ferrule (4)**.

The bodies of fitting for metric tubes are provided with a collar on the tube end side to differentiate from inch tube fitting.

### Assembly instruction

- 1) Loosen the nut (2)
- 2) Fully insert the tubing into the fitting. Make sure that the tubing rests firmly on the shoulder of the fitting and that the nut (2) is finger tight.
- 3) Tighten the nut (2) one and one quarter turns.

### Reassembly instruction

- 1) Firmly insert the tubing end with the previously set ferrules (3)(4) into the fitting body (1) and tighten the nut (2) to a hand tight condition.
- 2) Tighten the nut until a sharp rise in torque is felt with a wrench
- 3) Snug with wrench

**BULK** compression fittings may be disconnected and retightened repeatedly.

### Safety Guidelines

- 1) Never tight or loose a fitting with pressure in the system.
- 2) Do not bleed the system by loosening the fitting or fitting nut.
- 3) Always use proper thread lubricants and sealants (suitable to temperature system) on tapered pipe threads.
- 4) Always leave a length of straight tube between the tube bend and the fitting.
- 5) Always use a tube insert when assembling fitting to plastic tubing
- 6) **BULK** does not recommend interchanging its fitting components with other manufacturers'.
- 7) Tubing must always be softer than the fitting material (HRB 80 maximum for stainless steel).
- 8) Careful selection, handling and installation of tubing have vital importance to install safe and leak-free system.
- 9) Contact your local **BULK** distributor for further information.



HOW TO ORDER



- M** Select M for metric size tubing or P for inch size tubing
- 6** Tubing outside diameter, inch sizes are expressed in sixteenths of an inch (for example 1/4" = 4)  
Tubing outside diameter, metric sizes are expressed in mm (for example 6 = 6 mm)
- 6** Pipe size expressed in sixteenths of an inch (for example 3/8" = 6)
- K** Type of threads, select the suffix from TAB. 1
- DM** Type of fitting, select from index
- L** Material, select the suffix from TAB. 2
- [ ]** Special executions, select the suffix from TAB. 3

TABLE 1

**NO SUFFIX** = NPT ANSI B1.20.1  
**K** = BSPP-ISO 228/1  
**J** = BSPT-ISO 7/1-EN10226-2  
 OTHER THREADS AVAILABLE (I.E. M20, EN 837, ...)

TABLE 2

<b>L</b> = 316/L NACE MR 0175	<b>1825</b> = INCONEL 825
<b>O</b> = BRASS	<b>F51</b> = DUPLEX F51
<b>MO</b> = MONEL 400	<b>F53</b> = SUPER DUPLEX F53
<b>HC276</b> = HASTELLOY C276	<b>F55</b> = SUPER DUPLEX F55
<b>TI</b> = TITANIUM	<b>6MO</b> = 6MO
<b>1625</b> = INCONEL 625	

TABLE 3

**FB** = Connector for thermocouple  
**Z** = Fittings cleaned for oxygen service  
**N1** = NACE MR 0103

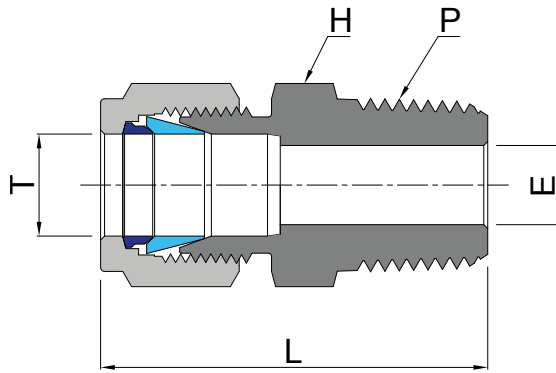
# DOUBLE FERRULE COMPRESSION FITTINGS

MALE CONNECTOR DM (METRIC TUBING X NPT THREAD)

bulk



[Back to Index](#)



DM SERIES

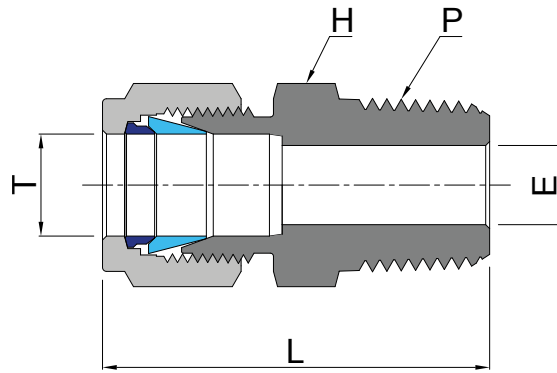
PART No.	TUBE OD, T	P	E Min	H (Hex)	L
	mm				
M-2-2-DM	2	1/8"	1.7	12	30.5
M-2-4-DM	2	1/4"	1.7	14	33.2
M-3-2-DM	3	1/8"	2.4	12	30.5
M-3-4-DM	3	1/4"	2.4	14	35.6
M-4-2-DM	4	1/8"	2.4	12	31.2
M-4-4-DM	4	1/4"	2.4	14	36.3
M-6-2-DM	6	1/8"	4.8	14	32.8
M-6-4-DM	6	1/4"	4.8	14	37.9
M-6-6-DM	6	3/8"	4.8	18	38.4
M-6-8-DM	6	1/2"	4.8	22	44.7
M-8-2-DM	8	1/8"	6.4	15	34.2
M-8-4-DM	8	1/4"	6.4	15	38.7
M-8-6-DM	8	3/8"	6.4	18	39.3
M-8-8-DM	8	1/2"	6.4	22	45.6
M-10-2-DM	10	1/8"	7.9	18	36.3
M-10-4-DM	10	1/4"	7.9	18	40.9
M-10-6-DM	10	3/8"	7.9	18	40.9
M-10-8-DM	10	1/2"	7.9	22	46.5
M-10-12-DM	10	3/4"	7.9	27	50.5
M-12-4-DM	12	1/4"	9.5	22	43.4
M-12-6-DM	12	3/8"	9.5	22	43.4
M-12-8-DM	12	1/2"	9.5	22	49.0
M-12-12-DM	12	3/4"	9.5	27	50.5
M-12-16-DM	12	1"	9.5	35	57.9
M-14-4-DM	14	1/4"	12.7	24	44.1
M-14-6-DM	14	3/8"	12.7	24	44.1
M-14-8-DM	14	1/2"	12.7	24	49.0

PART No.	TUBE OD, T	P	E Min	H (Hex)	L
	mm				
M-14-12-DM	14	3/4"	12.7	27	49.0
M-14-16-DM	14	1"	12.7	35	57.9
M-15-4-DM	15	1/4"	12.7	24	44.1
M-15-6-DM	15	3/8"	12.7	24	44.1
M-15-8-DM	15	1/2"	12.7	24	49.0
M-15-12-DM	15	3/4"	12.7	27	50.4
M-15-16-DM	15	1"	12.7	35	57.9
M-16-4-DM	16	1/4"	12.7	24	44.1
M-16-6-DM	16	3/8"	12.7	24	44.1
M-16-8-DM	16	1/2"	12.7	24	49.0
M-16-12-DM	16	3/4"	12.7	27	49.0
M-16-16-DM	16	1"	12.7	35	57.9
M-18-4-DM	18	1/4"	15.1	27	44.5
M-18-6-DM	18	3/8"	15.1	27	44.5
M-18-8-DM	18	1/2"	15.1	27	50.5
M-18-12-DM	18	3/4"	15.1	27	50.5
M-18-16-DM	18	1"	15.1	35	57.9
M-20-8-DM	20	1/2"	15.9	30	52.3
M-20-12-DM	20	3/4"	15.9	30	52.3
M-20-16-DM	20	1"	15.9	35	57.9
M-22-8-DM	22	1/2"	18.3	30	52.3
M-22-12-DM	22	3/4"	18.3	30	52.3
M-22-16-DM	22	1"	18.3	35	57.9
M-25-8-DM	25	1/2"	21.8	35	57.5
M-25-12-DM	25	3/4"	21.8	35	57.5
M-25-16-DM	25	1"	21.8	35	62.3

Male connectors for thermocouple are available with full bore (suffix-FB) i.e. M-12-8-DM-L-FB

**bulk****DOUBLE FERRULE COMPRESSION FITTINGS**MALE CONNECTOR **DM** (METRIC TUBING X BSPT THREAD)[Back to Index](#)

DM SERIES



PART No.	TUBE OD, T	P	E Min	H (Hex)	L
	mm				
M-2-2-J-DM	2	1/8"	1.7	12	30.5
M-2-4-J-DM	2	1/4"	1.7	14	33.2
M-3-2-J-DM	3	1/8"	2.4	12	30.5
M-3-4-J-DM	3	1/4"	2.4	14	35.6
M-4-2-J-DM	4	1/8"	2.4	12	31.2
M-4-4-J-DM	4	1/4"	2.4	14	36.3
M-6-2-J-DM	6	1/8"	4.8	14	32.8
M-6-4-J-DM	6	1/4"	4.8	14	37.9
M-6-6-J-DM	6	3/8"	4.8	18	38.4
M-6-8-J-DM	6	1/2"	4.8	22	44.7
M-8-2-J-DM	8	1/8"	6.4	15	34.2
M-8-4-J-DM	8	1/4"	6.4	15	38.7
M-8-6-J-DM	8	3/8"	6.4	18	39.3
M-8-8-J-DM	8	1/2"	6.4	22	45.6
M-10-2-J-DM	10	1/8"	7.9	18	36.3
M-10-4-J-DM	10	1/4"	7.9	18	40.9
M-10-6-J-DM	10	3/8"	7.9	18	40.9
M-10-8-J-DM	10	1/2"	7.9	22	46.5
M-10-12-J-DM	10	3/4"	7.9	27	50.5
M-12-4-J-DM	12	1/4"	9.5	22	43.4
M-12-6-J-DM	12	3/8"	9.5	22	43.4
M-12-8-J-DM	12	1/2"	9.5	22	49.0
M-12-12-J-DM	12	3/4"	9.5	27	50.5
M-12-16-J-DM	12	1"	9.5	35	57.9
M-14-4-J-DM	14	1/4"	12.7	24	44.1
M-14-6-J-DM	14	3/8"	12.7	24	44.1
M-14-8-J-DM	14	1/2"	12.7	24	49.0

PART No.	TUBE OD, T	P	E Min	H (Hex)	L
	mm				
M-14-12-J-DM	14	3/4"	12.7	27	49.0
M-14-16-J-DM	14	1"	12.7	35	57.9
M-15-4-J-DM	15	1/4"	12.7	24	44.1
M-15-6-J-DM	15	3/8"	12.7	24	44.1
M-15-8-J-DM	15	1/2"	12.7	24	49.0
M-15-12-J-DM	15	3/4"	12.7	27	50.4
M-15-16-J-DM	15	1"	12.7	35	57.9
M-16-4-J-DM	16	1/4"	12.7	24	44.1
M-16-6-J-DM	16	3/8"	12.7	24	44.1
M-16-8-J-DM	16	1/2"	12.7	24	49.0
M-16-12-J-DM	16	3/4"	12.7	27	49.0
M-16-16-J-DM	16	1"	12.7	35	57.9
M-18-4-J-DM	18	1/4"	15.1	27	44.5
M-18-6-J-DM	18	3/8"	15.1	27	44.5
M-18-8-J-DM	18	1/2"	15.1	27	50.5
M-18-12-J-DM	18	3/4"	15.1	27	50.5
M-18-16-J-DM	18	1"	15.1	35	57.9
M-20-8-J-DM	20	1/2"	15.9	30	52.3
M-20-12-J-DM	20	3/4"	15.9	30	52.3
M-20-16-J-DM	20	1"	15.9	35	57.9
M-22-8-J-DM	22	1/2"	18.3	30	52.3
M-22-12-J-DM	22	3/4"	18.3	30	52.3
M-22-16-J-DM	22	1"	18.3	35	57.9
M-25-8-J-DM	25	1/2"	21.8	35	57.5
M-25-12-J-DM	25	3/4"	21.8	35	57.5
M-25-16-J-DM	25	1"	21.8	35	62.3

Male connectors for thermocouple are available with full bore (suffix-FB) i.e. M-12-8-J-DM-L-FB

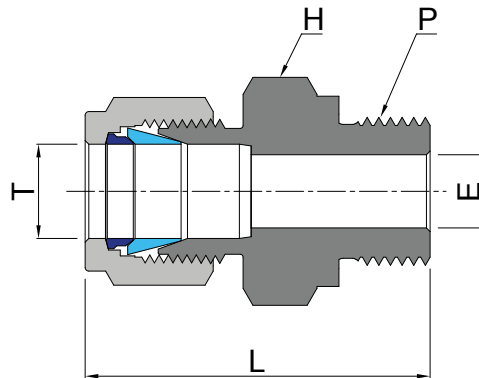
# DOUBLE FERRULE COMPRESSION FITTINGS

MALE CONNECTOR DM (METRIC TUBING X BSPP THREAD)

bulk



[Back to Index](#)



DM SERIES

PART No.	TUBE OD, T	P	E Min	H (Hex)	L
	mm				
M-2-2-K-DM	2	1/8"	1.7	14	30.0
M-2-4-K-DM	2	1/4"	1.7	19	35.3
M-3-2-K-DM	3	1/8"	2.4	14	30.0
M-3-4-K-DM	3	1/4"	2.4	19	35.3
M-4-2-K-DM	4	1/8"	2.4	14	30.7
M-4-4-K-DM	4	1/4"	2.4	19	36.0
M-6-2-K-DM	6	1/8"	4.8	14	32.3
M-6-4-K-DM	6	1/4"	4.8	19	37.6
M-6-6-K-DM	6	3/8"	4.8	22	38.9
M-6-8-K-DM	6	1/2"	4.8	27	44.7
M-8-2-K-DM	8	1/8"	6.4	15	33.2
M-8-4-K-DM	8	1/4"	6.4	19	38.5
M-8-6-K-DM	8	3/8"	6.4	22	39.8
M-8-8-K-DM	8	1/2"	6.4	27	45.6
M-10-2-K-DM	10	1/8"	7.9	19	35.3
M-10-4-K-DM	10	1/4"	7.9	19	39.4
M-10-6-K-DM	10	3/8"	7.9	22	40.6
M-10-8-K-DM	10	1/2"	7.9	27	46.5
M-10-12-K-DM	10	3/4"	7.9	35	50.3
M-12-4-K-DM	12	1/4"	9.5	22	42.6
M-12-6-K-DM	12	3/8"	9.5	22	43.1
M-12-8-K-DM	12	1/2"	9.5	27	49.0
M-12-12-K-DM	12	3/4"	9.5	35	52.8
M-12-16-K-DM	12	1"	9.5	41	55.3
M-14-4-K-DM	14	1/4"	12.7	24	46.0
M-14-6-K-DM	14	3/8"	12.7	24	46.0
M-14-8-K-DM	14	1/2"	12.7	27	49.0

PART No.	TUBE OD, T	P	E Min	H (Hex)	L
	mm				
M-14-12-K-DM	14	3/4"	12.7	35	52.8
M-14-16-K-DM	14	1"	12.7	41	55.3
M-15-4-K-DM	15	1/4"	12.7	24	46.0
M-15-6-K-DM	15	3/8"	12.7	24	46.0
M-15-8-K-DM	15	1/2"	12.7	27	49.0
M-15-12-K-DM	15	3/4"	12.7	35	52.8
M-15-16-K-DM	15	1"	12.7	41	55.3
M-16-4-K-DM	16	1/4"	12.7	24	46.0
M-16-6-K-DM	16	3/8"	12.7	24	43.9
M-16-8-K-DM	16	1/2"	12.7	27	49.0
M-16-12-K-DM	16	3/4"	12.7	35	52.8
M-16-16-K-DM	16	1"	12.7	41	55.3
M-18-4-K-DM	18	1/4"	15.1	27	46.0
M-18-6-K-DM	18	3/8"	15.1	27	46.0
M-18-8-K-DM	18	1/2"	15.1	27	49.0
M-18-12-K-DM	18	3/4"	15.1	35	52.8
M-18-16-K-DM	18	1"	15.1	41	55.3
M-20-8-K-DM	20	1/2"	15.9	30	50.5
M-20-12-K-DM	20	3/4"	15.9	35	52.8
M-20-16-K-DM	20	1"	15.9	41	55.3
M-22-8-K-DM	22	1/2"	18.3	30	51.3
M-22-12-K-DM	22	3/4"	18.3	35	52.8
M-22-16-K-DM	22	1"	18.3	41	55.3
M-25-8-K-DM	25	1/2"	19.8	35	56.0
M-25-12-K-DM	25	3/4"	19.8	35	57.5
M-25-16-K-DM	25	1"	19.8	41	60.1

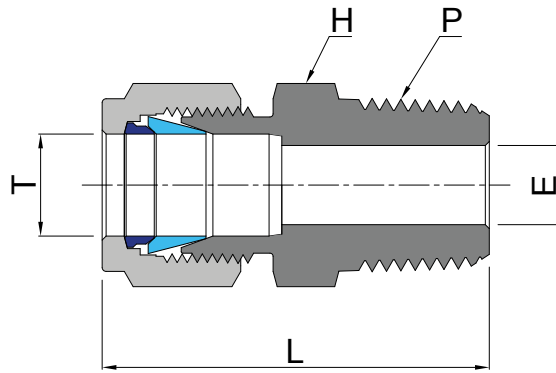
Male connectors for thermocouple are available with full bore (suffix-FB) i.e. M-12-8-K-DM-L-FB

**bulk****DOUBLE FERRULE COMPRESSION FITTINGS**

MALE CONNECTOR DM (FRACTIONAL TUBING X NPT THREAD)

[Back to Index](#)

DM SERIES



PART No.	TUBE OD, T	P NPT	E Min mm	H (Hex) inch	L mm
	inch				
P-1-1-DM	1/16"	1/16"	1.27	5/16"	23.83
P-1-2-DM	1/16"	1/8"	1.27	7/16"	26.16
P-1-4-DM	1/16"	1/4"	1.27	9/16"	30.98
P-2-1-DM	1/8"	1/16"	2.28	7/16"	29.71
P-2-2-DM	1/8"	1/8"	2.28	7/16"	30.48
P-2-4-DM	1/8"	1/4"	2.28	9/16"	35.56
P-3-2-DM	3/16"	1/8"	3.04	7/16"	31.24
P-3-4-DM	3/16"	1/4"	3.04	9/16"	36.32
P-3-6-DM	3/16"	3/8"	3.04	11/16"	37.54
P-4-1-DM	1/4"	1/16"	4.82	1/2"	32.76
P-4-2-DM	1/4"	1/8"	4.82	1/2"	32.76
P-4-4-DM	1/4"	1/4"	4.82	9/16"	37.84
P-4-6-DM	1/4"	3/8"	4.82	11/16"	38.35
P-4-8-DM	1/4"	1/2"	4.82	7/8"	44.70
P-4-12-DM	1/4"	3/4"	4.82	1" 1/16"	46.22
P-5-2-DM	5/16"	1/8"	6.35	9/16"	34.03
P-5-4-DM	5/16"	1/4"	6.35	9/16"	38.60
P-5-6-DM	5/16"	3/8"	6.35	11/16"	39.11
P-5-8-DM	5/16"	1/2"	6.35	7/8"	45.60
P-5-12-DM	5/16"	3/4"	6.35	1" 1/16"	46.99
P-6-2-DM	3/8"	1/8"	7.11	5/8"	35.30

PART No.	TUBE OD, T	P NPT	E Min mm	H (Hex) inch	L mm
	inch				
P-6-4-DM	3/8"	1/4"	7.11	5/8"	39.87
P-6-6-DM	3/8"	3/8"	7.11	11/16"	39.87
P-6-8-DM	3/8"	1/2"	7.11	7/8"	46.22
P-6-12-DM	3/8"	3/4"	7.11	1" 1/16"	47.75
P-8-2-DM	1/2"	1/8"	10.41	13/16"	38.86
P-8-4-DM	1/2"	1/4"	10.41	13/16"	43.43
P-8-6-DM	1/2"	3/8"	10.41	13/16"	43.43
P-8-8-DM	1/2"	1/2"	10.41	7/8"	49.02
P-8-12-DM	1/2"	3/4"	10.41	1" 1/16"	50.54
P-8-16-DM	1/2"	1"	10.41	1" 3/8"	57.15
P-10-6-DM	5/8"	3/8"	12.70	15/16"	44.19
P-10-8-DM	5/8"	1/2"	12.70	15/16"	49.02
P-10-12-DM	5/8"	3/4"	12.70	1" 1/16"	50.54
P-12-4-DM	3/4"	1/4"	15.74	1" 1/16"	44.19
P-12-6-DM	3/4"	3/8"	15.74	1" 1/16"	45.72
P-12-8-DM	3/4"	1/2"	15.74	1" 1/16"	50.54
P-12-12-DM	3/4"	3/4"	15.74	1" 1/16"	50.54
P-12-16-DM	3/4"	1"	15.74	1" 3/8"	57.15
P-16-8-DM	1"	1/2"	22.35	1" 3/8"	57.40
P-16-12-DM	1"	3/4"	22.35	1" 3/8"	57.40
P-16-16-DM	1"	1"	22.35	1" 3/8"	62.23

Male connectors for thermocouple are available with full bore (suffix-FB) i.e. P-8-8-DM-L-FB

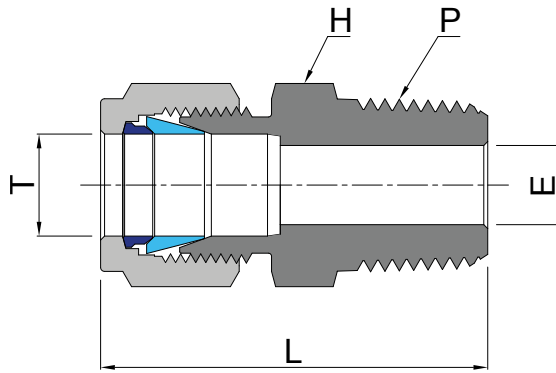
# DOUBLE FERRULE COMPRESSION FITTINGS

MALE CONNECTOR DM (FRACTIONAL TUBING X BSPT THREAD)

bulk



[Back to Index](#)

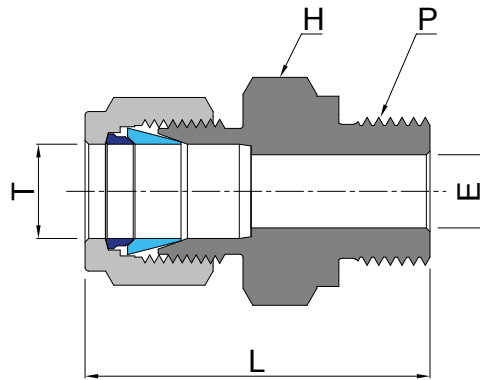


DM SERIES

PART No.	TUBE OD, T	P	E Min	H (Hex)	L
	inch				
P-1-1-J-DM	1/16"	1/16"	1.27	5/16"	23.83
P-1-2-J-DM	1/16"	1/8"	1.27	7/16"	26.16
P-1-4-J-DM	1/16"	1/4"	1.27	9/16"	30.98
P-2-1-J-DM	1/8"	1/16"	2.28	7/16"	29.71
P-2-2-J-DM	1/8"	1/8"	2.28	7/16"	30.48
P-2-4-J-DM	1/8"	1/4"	2.28	9/16"	35.56
P-3-2-J-DM	3/16"	1/8"	3.04	7/16"	31.24
P-3-4-J-DM	3/16"	1/4"	3.04	9/16"	36.32
P-3-6-J-DM	3/16"	3/8"	3.04	11/16"	37.54
P-4-1-J-DM	1/4"	1/16"	4.82	1/2"	32.76
P-4-2-J-DM	1/4"	1/8"	4.82	1/2"	32.76
P-4-4-J-DM	1/4"	1/4"	4.82	9/16"	37.84
P-4-6-J-DM	1/4"	3/8"	4.82	11/16"	38.35
P-4-8-J-DM	1/4"	1/2"	4.82	7/8"	44.70
P-4-12-J-DM	1/4"	3/4"	4.82	1" 1/16"	46.22
P-5-2-J-DM	5/16"	1/8"	6.35	9/16"	34.03
P-5-4-J-DM	5/16"	1/4"	6.35	9/16"	38.60
P-5-6-J-DM	5/16"	3/8"	6.35	11/16"	39.11
P-5-8-J-DM	5/16"	1/2"	6.35	7/8"	45.60
P-5-12-J-DM	5/16"	3/4"	6.35	1" 1/16"	46.99
P-6-2-J-DM	3/8"	1/8"	7.11	5/8"	35.30

PART No.	TUBE OD, T	P	E Min	H (Hex)	L
	inch				
P-6-4-J-DM	3/8"	1/4"	7.11	5/8"	39.87
P-6-6-J-DM	3/8"	3/8"	7.11	11/16"	39.87
P-6-8-J-DM	3/8"	1/2"	7.11	7/8"	46.22
P-6-12-J-DM	3/8"	3/4"	7.11	1" 1/16"	47.75
P-8-2-J-DM	1/2"	1/8"	10.41	13/16"	38.86
P-8-4-J-DM	1/2"	1/4"	10.41	13/16"	43.43
P-8-6-J-DM	1/2"	3/8"	10.41	13/16"	43.43
P-8-8-J-DM	1/2"	1/2"	10.41	7/8"	49.02
P-8-12-J-DM	1/2"	3/4"	10.41	1" 1/16"	50.54
P-8-16-J-DM	1/2"	1"	10.41	1" 3/8"	57.15
P-10-6-J-DM	5/8"	3/8"	12.70	15/16"	44.19
P-10-8-J-DM	5/8"	1/2"	12.70	15/16"	49.02
P-10-12-J-DM	5/8"	3/4"	12.70	1" 1/16"	50.54
P-12-4-J-DM	3/4"	1/4"	15.74	1" 1/16"	44.19
P-12-6-J-DM	3/4"	3/8"	15.74	1" 1/16"	45.72
P-12-8-J-DM	3/4"	1/2"	15.74	1" 1/16"	50.54
P-12-12-J-DM	3/4"	3/4"	15.74	1" 1/16"	50.54
P-12-16-J-DM	3/4"	1"	15.74	1" 3/8"	57.15
P-16-8-J-DM	1"	1/2"	22.35	1" 3/8"	57.40
P-16-12-J-DM	1"	3/4"	22.35	1" 3/8"	57.40
P-16-16-J-DM	1"	1"	22.35	1" 3/8"	62.23

Male connectors for thermocouple are available with full bore (suffix-FB) i.e. P-8-8-J-DM-L-FB



PART No.	TUBE OD, T	P BSPP	E Min mm	H (Hex) inch	L mm
	inch				
P-1-1-K-DM	1/16"	1/16"	1.27	7/16"	19.05
P-1-2-K-DM	1/16"	1/8"	1.27	9/16"	25.65
P-1-4-K-DM	1/16"	1/4"	1.27	3/4"	30.99
P-2-1-K-DM	1/8"	1/16"	2.28	7/16"	23.62
P-2-2-K-DM	1/8"	1/8"	2.28	9/16"	29.97
P-2-4-K-DM	1/8"	1/4"	2.28	3/4"	35.31
P-3-2-K-DM	3/16"	1/8"	3.04	9/16"	30.73
P-3-4-K-DM	3/16"	1/4"	3.04	3/4"	36.07
P-3-6-K-DM	3/16"	3/8"	3.04	7/8"	36.97
P-4-1-K-DM	1/4"	1/16"	4.82	1/2"	26.47
P-4-2-K-DM	1/4"	1/8"	4.82	9/16"	32.26
P-4-4-K-DM	1/4"	1/4"	4.82	3/4"	37.59
P-4-6-K-DM	1/4"	3/8"	4.82	7/8"	38.86
P-4-8-K-DM	1/4"	1/2"	4.82	1" 1/16"	44.70
P-4-12-K-DM	1/4"	3/4"	4.82	1" 3/8"	48.77
P-5-2-K-DM	5/16"	1/8"	6.35	9/16"	33.02
P-5-4-K-DM	5/16"	1/4"	6.35	3/4"	38.36
P-5-6-K-DM	5/16"	3/8"	6.35	7/8"	39.63
P-5-8-K-DM	5/16"	1/2"	6.35	1" 1/16"	45.47
P-5-12-K-DM	5/16"	3/4"	6.35	1" 3/8"	49.53
P-6-2-K-DM	3/8"	1/8"	7.11	5/8"	33.77

PART No.	TUBE OD, T	P BSPP	E Min mm	H (Hex) inch	L mm
	inch				
P-6-4-K-DM	3/8"	1/4"	7.11	3/4"	39.12
P-6-6-K-DM	3/8"	3/8"	7.11	7/8"	40.39
P-6-8-K-DM	3/8"	1/2"	7.11	1" 1/16"	46.23
P-6-12-K-DM	3/8"	3/4"	7.11	1" 3/8"	50.29
P-8-2-K-DM	1/2"	1/8"	10.41	13/16"	38.60
P-8-4-K-DM	1/2"	1/4"	10.41	13/16"	42.67
P-8-6-K-DM	1/2"	3/8"	10.41	7/8"	43.18
P-8-8-K-DM	1/2"	1/2"	10.41	1" 1/16"	49.02
P-8-12-K-DM	1/2"	3/4"	10.41	1" 3/8"	52.83
P-8-16-K-DM	1/2"	1"	10.41	1" 3/8"	52.83
P-10-6-K-DM	5/8"	3/8"	12.70	15/16"	43.18
P-10-8-K-DM	5/8"	1/2"	12.70	1" 1/16"	49.02
P-10-12-K-DM	5/8"	3/4"	12.70	1" 3/8"	52.83
P-12-4-K-DM	3/4"	1/4"	15.74	1" 1/16"	45.98
P-12-6-K-DM	3/4"	3/8"	15.74	1" 1/16"	45.98
P-12-8-K-DM	3/4"	1/2"	15.74	1" 1/16"	49.02
P-12-12-K-DM	3/4"	3/4"	15.74	1" 3/8"	52.83
P-12-16-K-DM	3/4"	1"	15.74	1" 5/8"	55.37
P-16-8-K-DM	1"	1/2"	22.35	1" 3/8"	55.88
P-16-12-K-DM	1"	3/4"	22.35	1" 3/8"	55.88
P-16-16-K-DM	1"	1"	22.35	1" 5/8"	59.94

Male connectors for thermocouple are available with full bore (suffix-FB) i.e. P-8-8-K-DM-L-FB

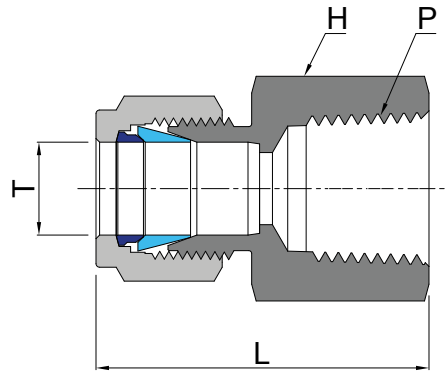
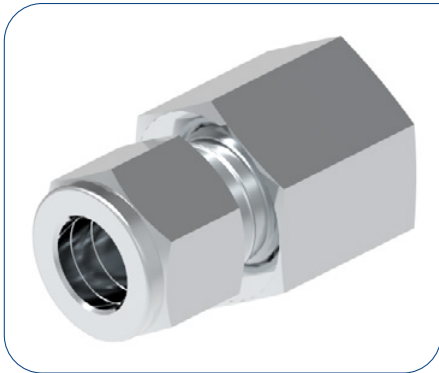
# DOUBLE FERRULE COMPRESSION FITTINGS

FEMALE CONNECTOR DF (METRIC TUBING X NPT THREAD)

bulk



[Back to Index](#)



DF SERIES

PART No.	TUBE OD, T	P NPT	H (Hex) mm	L mm
	mm			
M-2-2-DF	2	1/8"	14	24.4
M-2-4-DF	2	1/4"	19	29.2
M-3-2-DF	3	1/8"	14	28.7
M-3-4-DF	3	1/4"	19	33.5
M-4-2-DF	4	1/8"	14	29.7
M-4-4-DF	4	1/4"	19	34.3
M-6-2-DF	6	1/8"	14	31.3
M-6-4-DF	6	1/4"	19	35.8
M-6-6-DF	6	3/8"	22	36.9
M-6-8-DF	6	1/2"	27	42.5
M-8-2-DF	8	1/8"	15	32.1
M-8-4-DF	8	1/4"	19	37.0
M-8-6-DF	8	3/8"	22	37.7
M-8-8-DF	8	1/2"	27	43.3
M-10-2-DF	10	1/8"	18	33.0
M-10-4-DF	10	1/4"	19	37.8
M-10-6-DF	10	3/8"	22	38.6
M-10-8-DF	10	1/2"	27	44.2
M-10-12-DF	10	3/4"	35	47.8
M-12-4-DF	12	1/4"	19	40.3
M-12-6-DF	12	3/8"	22	41.1
M-12-8-DF	12	1/2"	27	46.7
M-12-12-DF	12	3/4"	35	49.0
M-12-16-DF	12	1"	41	57.8
M-14-4-DF	14	1/4"	24	41.3
M-14-6-DF	14	3/8"	24	41.9
M-14-8-DF	14	1/2"	27	46.7

PART No.	TUBE OD, T	P NPT	H (Hex) mm	L mm
	mm			
M-14-12-DF	14	3/4"	35	48.3
M-14-16-DF	14	1"	41	53.2
M-15-4-DF	15	1/4"	24	41.3
M-15-6-DF	15	3/8"	24	41.9
M-15-8-DF	15	1/2"	27	46.7
M-15-12-DF	15	3/4"	35	48.3
M-15-16-DF	15	1"	41	53.2
M-16-4-DF	16	1/4"	24	41.3
M-16-6-DF	16	3/8"	24	41.9
M-16-8-DF	16	1/2"	27	46.9
M-16-12-DF	16	3/4"	35	48.3
M-16-16-DF	16	1"	41	53.2
M-18-4-DF	18	1/4"	27	41.4
M-18-6-DF	18	3/8"	27	42.8
M-18-8-DF	18	1/2"	27	46.7
M-18-12-DF	18	3/4"	35	48.3
M-18-16-DF	18	1"	41	52.8
M-20-8-DF	20	1/2"	30	47.9
M-20-12-DF	20	3/4"	35	49.7
M-20-16-DF	20	1"	41	57.9
M-22-8-DF	22	1/2"	30	47.9
M-22-12-DF	22	3/4"	35	49.7
M-22-16-DF	22	1"	41	57.9
M-25-8-DF	25	1/2"	35	52.8
M-25-12-DF	25	3/4"	35	53.4
M-25-16-DF	25	1"	41	62.3



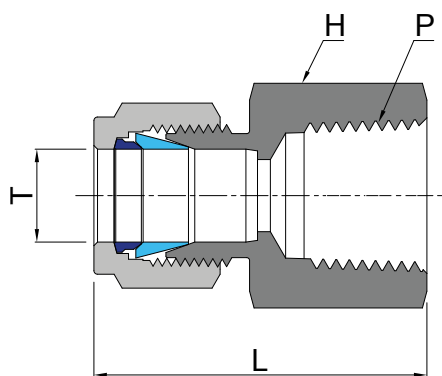
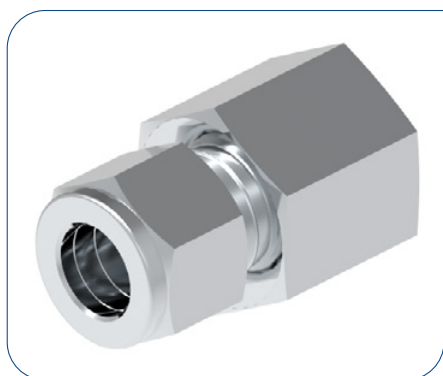
bulk

# DOUBLE FERRULE COMPRESSION FITTINGS

## FEMALE CONNECTOR DF (METRIC TUBING X BSPT THREAD)

[Back to Index](#)

DF SERIES



PART No.	TUBE OD, T	P BSPT	H (Hex) mm	L mm
	mm			
M-2-2-J-DF	2	1/8"	14	24.4
M-2-4-J-DF	2	1/4"	19	29.2
M-3-2-J-DF	3	1/8"	14	28.7
M-3-4-J-DF	3	1/4"	19	33.5
M-4-2-J-DF	4	1/8"	14	29.7
M-4-4-J-DF	4	1/4"	19	34.3
M-6-2-J-DF	6	1/8"	14	31.3
M-6-4-J-DF	6	1/4"	19	35.8
M-6-6-J-DF	6	3/8"	22	36.9
M-6-8-J-DF	6	1/2"	27	42.5
M-8-2-J-DF	8	1/8"	15	32.1
M-8-4-J-DF	8	1/4"	19	37.0
M-8-6-J-DF	8	3/8"	22	37.7
M-8-8-J-DF	8	1/2"	27	43.3
M-10-2-J-DF	10	1/8"	18	33.0
M-10-4-J-DF	10	1/4"	19	37.8
M-10-6-J-DF	10	3/8"	22	38.6
M-10-8-J-DF	10	1/2"	27	44.2
M-10-12-J-DF	10	3/4"	35	47.8
M-12-4-J-DF	12	1/4"	19	40.3
M-12-6-J-DF	12	3/8"	22	41.1
M-12-8-J-DF	12	1/2"	27	46.7
M-12-12-J-DF	12	3/4"	35	49.0
M-12-16-J-DF	12	1"	41	57.8
M-14-4-J-DF	14	1/4"	24	41.3
M-14-6-J-DF	14	3/8"	24	41.9
M-14-8-J-DF	14	1/2"	27	46.7

PART No.	TUBE OD, T	P BSPT	H (Hex) mm	L mm
	mm			
M-14-12-J-DF	14	3/4"	35	48.3
M-14-16-J-DF	14	1"	41	53.2
M-15-4-J-DF	15	1/4"	24	41.3
M-15-6-J-DF	15	3/8"	24	41.9
M-15-8-J-DF	15	1/2"	27	46.7
M-15-12-J-DF	15	3/4"	35	48.3
M-15-16-J-DF	15	1"	41	53.2
M-16-4-J-DF	16	1/4"	24	41.3
M-16-6-J-DF	16	3/8"	24	41.9
M-16-8-J-DF	16	1/2"	27	46.9
M-16-12-J-DF	16	3/4"	35	48.3
M-16-16-J-DF	16	1"	41	53.2
M-18-4-J-DF	18	1/4"	27	41.4
M-18-6-J-DF	18	3/8"	27	42.8
M-18-8-J-DF	18	1/2"	27	46.7
M-18-12-J-DF	18	3/4"	35	48.3
M-18-16-J-DF	18	1"	41	52.8
M-20-8-J-DF	20	1/2"	30	47.9
M-20-12-J-DF	20	3/4"	35	49.7
M-20-16-J-DF	20	1"	41	57.9
M-22-8-J-DF	22	1/2"	30	47.9
M-22-12-J-DF	22	3/4"	35	49.7
M-22-16-J-DF	22	1"	41	57.9
M-25-8-J-DF	25	1/2"	35	52.8
M-25-12-J-DF	25	3/4"	35	53.4
M-25-16-J-DF	25	1"	41	62.3

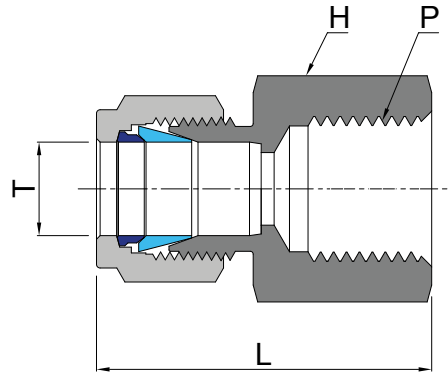
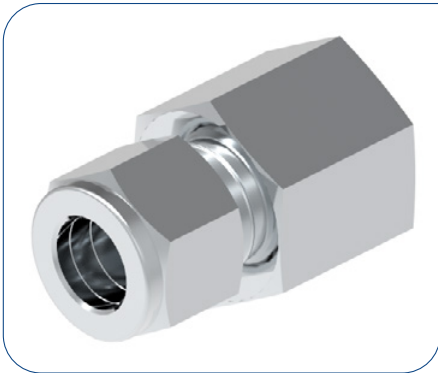
# DOUBLE FERRULE COMPRESSION FITTINGS

FEMALE CONNECTOR DF (METRIC TUBING X BSPP THREAD)

bulk



[Back to Index](#)



DF SERIES

PART No.	TUBE OD, T	P BSPP	H (Hex) mm	L mm
	mm			
M-2-2-K-DF	2	1/8"	14	24.4
M-2-4-K-DF	2	1/4"	19	29.2
M-3-2-K-DF	3	1/8"	14	28.7
M-3-4-K-DF	3	1/4"	19	33.5
M-4-2-K-DF	4	1/8"	14	29.7
M-4-4-K-DF	4	1/4"	19	34.3
M-6-2-K-DF	6	1/8"	14	31.3
M-6-4-K-DF	6	1/4"	19	35.8
M-6-6-K-DF	6	3/8"	22	36.9
M-6-8-K-DF	6	1/2"	27	42.5
M-8-2-K-DF	8	1/8"	15	32.1
M-8-4-K-DF	8	1/4"	19	37.0
M-8-6-K-DF	8	3/8"	22	37.7
M-8-8-K-DF	8	1/2"	27	43.3
M-10-2-K-DF	10	1/8"	18	33.0
M-10-4-K-DF	10	1/4"	19	37.8
M-10-6-K-DF	10	3/8"	22	38.6
M-10-8-K-DF	10	1/2"	27	44.2
M-10-12-K-DF	10	3/4"	35	47.8
M-12-4-K-DF	12	1/4"	19	40.3
M-12-6-K-DF	12	3/8"	22	41.1
M-12-8-K-DF	12	1/2"	27	46.7
M-12-12-K-DF	12	3/4"	35	49.0
M-12-16-K-DF	12	1"	41	57.8
M-14-4-K-DF	14	1/4"	24	41.3
M-14-6-K-DF	14	3/8"	24	41.9
M-14-8-K-DF	14	1/2"	27	46.7

PART No.	TUBE OD, T	P BSPP	H (Hex) mm	L mm
	mm			
M-14-12-K-DF	14	3/4"	35	48.3
M-14-16-K-DF	14	1"	41	53.2
M-15-4-K-DF	15	1/4"	24	41.3
M-15-6-K-DF	15	3/8"	24	41.9
M-15-8-K-DF	15	1/2"	27	46.7
M-15-12-K-DF	15	3/4"	35	48.3
M-15-16-K-DF	15	1"	41	53.2
M-16-4-K-DF	16	1/4"	24	41.3
M-16-6-K-DF	16	3/8"	24	41.9
M-16-8-K-DF	16	1/2"	27	46.9
M-16-12-K-DF	16	3/4"	35	48.3
M-16-16-K-DF	16	1"	41	53.2
M-18-4-K-DF	18	1/4"	27	41.4
M-18-6-K-DF	18	3/8"	27	42.8
M-18-8-K-DF	18	1/2"	27	46.7
M-18-12-K-DF	18	3/4"	35	48.3
M-18-16-K-DF	18	1"	41	52.8
M-20-8-K-DF	20	1/2"	30	47.9
M-20-12-K-DF	20	3/4"	35	49.7
M-20-16-K-DF	20	1"	41	57.9
M-22-8-K-DF	22	1/2"	30	47.9
M-22-12-K-DF	22	3/4"	35	49.7
M-22-16-K-DF	22	1"	41	57.9
M-25-8-K-DF	25	1/2"	35	52.8
M-25-12-K-DF	25	3/4"	35	53.4
M-25-16-K-DF	25	1"	41	62.3



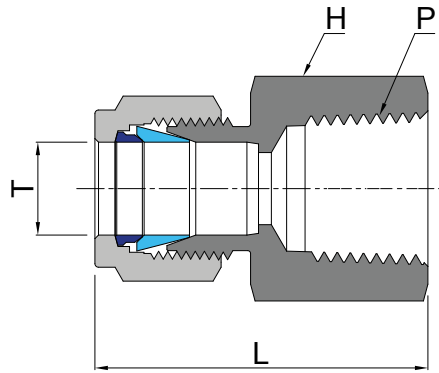
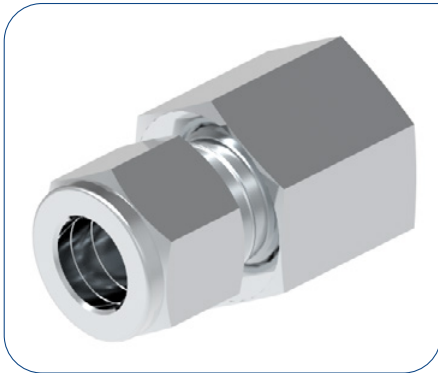
bulk

# DOUBLE FERRULE COMPRESSION FITTINGS

## FEMALE CONNECTOR DF (FRACTIONAL TUBING X NPT THREAD)

[Back to Index](#)

DF SERIES



PART No.	TUBE OD, T	P NPT	H (Hex) inch	L mm
	inch			
P-1-1-DF	1/16"	1/16"	7/16"	23.62
P-1-2-DF	1/16"	1/8"	9/16"	24.38
P-1-4-DF	1/16"	1/4"	3/4"	29.12
P-2-1-DF	1/8"	1/16"	7/16"	28.02
P-2-2-DF	1/8"	1/8"	9/16"	28.70
P-2-4-DF	1/8"	1/4"	3/4"	33.52
P-3-2-DF	3/16"	1/8"	9/16"	29.71
P-3-4-DF	3/16"	1/4"	3/4"	34.24
P-3-6-DF	3/16"	3/8"	7/8"	36.00
P-4-1-DF	1/4"	1/16"	9/16"	29.05
P-4-2-DF	1/4"	1/8"	9/16"	31.24
P-4-4-DF	1/4"	1/4"	3/4"	35.81
P-4-6-DF	1/4"	3/8"	7/8"	37.59
P-4-8-DF	1/4"	1/2"	1" 1/16	42.41
P-4-12-DF	1/4"	3/4"	1" 5/16	46.25
P-5-2-DF	5/16"	1/8"	9/16"	32.00
P-5-4-DF	5/16"	1/4"	3/4"	36.83
P-5-6-DF	5/16"	3/8"	7/8"	38.37
P-5-8-DF	5/16"	1/2"	1" 1/16	43.39
P-5-12-DF	5/16"	3/4"	1" 5/16	44.67
P-6-2-DF	3/8"	1/8"	5/8"	32.76

PART No.	TUBE OD, T	P NPT	H (Hex) inch	L mm
	inch			
P-6-4-DF	3/8"	1/4"	3/4"	37.59
P-6-6-DF	3/8"	3/8"	7/8"	39.11
P-6-8-DF	3/8"	1/2"	1" 1/16	43.94
P-6-12-DF	3/8"	3/4"	1" 5/16	47.75
P-8-2-DF	1/2"	1/8"	13/16"	35.86
P-8-4-DF	1/2"	1/4"	13/16"	40.38
P-8-6-DF	1/2"	3/8"	7/8"	41.91
P-8-8-DF	1/2"	1/2"	1" 1/16	46.73
P-8-12-DF	1/2"	3/4"	1" 5/16	48.26
P-8-16-DF	1/2"	1"	1" 5/8	57.81
P-10-6-DF	5/8"	3/8"	15/16"	41.91
P-10-8-DF	5/8"	1/2"	1" 1/16	46.73
P-10-12-DF	5/8"	3/4"	1" 5/16	48.26
P-12-4-DF	3/4"	1/4"	1" 1/16	41.36
P-12-6-DF	3/4"	3/8"	1" 1/16	42.86
P-12-8-DF	3/4"	1/2"	1" 1/16	46.73
P-12-12-DF	3/4"	3/4"	1" 5/16	48.26
P-12-16-DF	3/4"	1"	1" 5/8	52.76
P-16-8-DF	1"	1/2"	1" 3/8	52.76
P-16-12-DF	1"	3/4"	1" 3/8	53.34
P-16-16-DF	1"	1"	1" 5/8	62.23

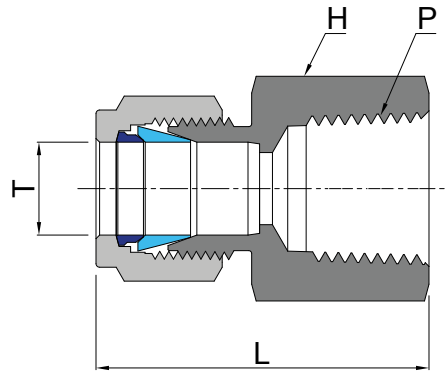
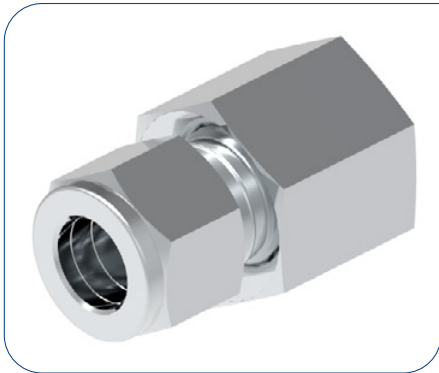
# DOUBLE FERRULE COMPRESSION FITTINGS

FEMALE CONNECTOR DF (FRACTIONAL TUBING X BSPT THREAD)

bulk



[Back to Index](#)



DF SERIES

PART No.	TUBE OD, T	P BSPT	H (Hex) inch	L mm
	inch			
P-1-1-J-DF	1/16"	1/16"	7/16"	23.62
P-1-2-J-DF	1/16"	1/8"	9/16"	24.38
P-1-4-J-DF	1/16"	1/4"	3/4"	29.12
P-2-1-J-DF	1/8"	1/16"	7/16"	28.02
P-2-2-J-DF	1/8"	1/8"	9/16"	28.70
P-2-4-J-DF	1/8"	1/4"	3/4"	33.52
P-3-2-J-DF	3/16"	1/8"	9/16"	29.71
P-3-4-J-DF	3/16"	1/4"	3/4"	34.24
P-3-6-J-DF	3/16"	3/8"	7/8"	36.00
P-4-1-J-DF	1/4"	1/16"	9/16"	29.05
P-4-2-J-DF	1/4"	1/8"	9/16"	31.24
P-4-4-J-DF	1/4"	1/4"	3/4"	35.81
P-4-6-J-DF	1/4"	3/8"	7/8"	37.59
P-4-8-J-DF	1/4"	1/2"	1" 1/16	42.41
P-4-12-J-DF	1/4"	3/4"	1" 5/16	46.25
P-5-2-J-DF	5/16"	1/8"	9/16"	32.00
P-5-4-J-DF	5/16"	1/4"	3/4"	36.83
P-5-6-J-DF	5/16"	3/8"	7/8"	38.37
P-5-8-J-DF	5/16"	1/2"	1" 1/16	43.39
P-5-12-J-DF	5/16"	3/4"	1" 5/16	44.67
P-6-2-J-DF	3/8"	1/8"	5/8"	32.76

PART No.	TUBE OD, T	P BSPT	H (Hex) inch	L mm
	inch			
P-6-4-J-DF	3/8"	1/4"	3/4"	37.59
P-6-6-J-DF	3/8"	3/8"	7/8"	39.11
P-6-8-J-DF	3/8"	1/2"	1" 1/16	43.94
P-6-12-J-DF	3/8"	3/4"	1" 5/16	47.75
P-8-2-J-DF	1/2"	1/8"	13/16"	35.86
P-8-4-J-DF	1/2"	1/4"	13/16"	40.38
P-8-6-J-DF	1/2"	3/8"	7/8"	41.91
P-8-8-J-DF	1/2"	1/2"	1" 1/16	46.73
P-8-12-J-DF	1/2"	3/4"	1" 5/16	48.26
P-8-16-J-DF	1/2"	1"	1" 5/8	57.81
P-10-6-J-DF	5/8"	3/8"	15/16"	41.91
P-10-8-J-DF	5/8"	1/2"	1" 1/16	46.73
P-10-12-J-DF	5/8"	3/4"	1" 5/16	48.26
P-12-4-J-DF	3/4"	1/4"	1" 1/16	41.36
P-12-6-J-DF	3/4"	3/8"	1" 1/16	42.86
P-12-8-J-DF	3/4"	1/2"	1" 1/16	46.73
P-12-12-J-DF	3/4"	3/4"	1" 5/16	48.26
P-12-16-J-DF	3/4"	1"	1" 5/8	52.76
P-16-8-J-DF	1"	1/2"	1" 3/8	52.76
P-16-12-J-DF	1"	3/4"	1" 3/8	53.34
P-16-16-J-DF	1"	1"	1" 5/8	62.23



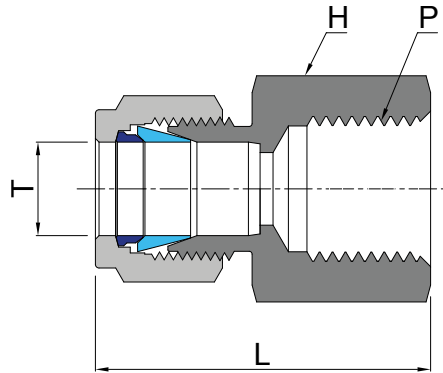
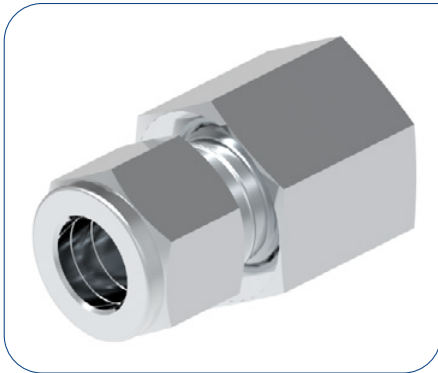
**bulk**

# DOUBLE FERRULE COMPRESSION FITTINGS

## FEMALE CONNECTOR DF (FRACTIONAL TUBING X BSPP THREAD)

[Back to Index](#)

DF SERIES



PART No.	TUBE OD, T	P BSPP	H (Hex) inch	L mm
	inch			
P-1-1-K-DF	1/16"	1/16"	7/16"	23.62
P-1-2-K-DF	1/16"	1/8"	9/16"	24.38
P-1-4-K-DF	1/16"	1/4"	3/4"	29.12
P-2-1-K-DF	1/8"	1/16"	7/16"	28.02
P-2-2-K-DF	1/8"	1/8"	9/16"	28.70
P-2-4-K-DF	1/8"	1/4"	3/4"	33.52
P-3-2-K-DF	3/16"	1/8"	9/16"	29.71
P-3-4-K-DF	3/16"	1/4"	3/4"	34.24
P-3-6-K-DF	3/16"	3/8"	7/8"	36.00
P-4-1-K-DF	1/4"	1/16"	9/16"	29.05
P-4-2-K-DF	1/4"	1/8"	9/16"	31.24
P-4-4-K-DF	1/4"	1/4"	3/4"	35.81
P-4-6-K-DF	1/4"	3/8"	7/8"	37.59
P-4-8-K-DF	1/4"	1/2"	1" 1/16	42.41
P-4-12-K-DF	1/4"	3/4"	1" 5/16	46.25
P-5-2-K-DF	5/16"	1/8"	9/16"	32.00
P-5-4-K-DF	5/16"	1/4"	3/4"	36.83
P-5-6-K-DF	5/16"	3/8"	7/8"	38.37
P-5-8-K-DF	5/16"	1/2"	1" 1/16	43.39
P-5-12-K-DF	5/16"	3/4"	1" 5/16	44.67
P-6-2-K-DF	3/8"	1/8"	5/8"	32.76

PART No.	TUBE OD, T	P BSPP	H (Hex) inch	L mm
	inch			
P-6-4-K-DF	3/8"	1/4"	3/4"	37.59
P-6-6-K-DF	3/8"	3/8"	7/8"	39.11
P-6-8-K-DF	3/8"	1/2"	1" 1/16	43.94
P-6-12-K-DF	3/8"	3/4"	1" 5/16	47.75
P-8-2-K-DF	1/2"	1/8"	13/16"	35.86
P-8-4-K-DF	1/2"	1/4"	13/16"	40.38
P-8-6-K-DF	1/2"	3/8"	7/8"	41.91
P-8-8-K-DF	1/2"	1/2"	1" 1/16	46.73
P-8-12-K-DF	1/2"	3/4"	1" 5/16	48.26
P-8-16-K-DF	1/2"	1"	1" 5/8	57.81
P-10-6-K-DF	5/8"	3/8"	15/16"	41.91
P-10-8-K-DF	5/8"	1/2"	1" 1/16	46.73
P-10-12-K-DF	5/8"	3/4"	1" 5/16	48.26
P-12-4-K-DF	3/4"	1/4"	1" 1/16	41.36
P-12-6-K-DF	3/4"	3/8"	1" 1/16	42.86
P-12-8-K-DF	3/4"	1/2"	1" 1/16	46.73
P-12-12-K-DF	3/4"	3/4"	1" 5/16	48.26
P-12-16-K-DF	3/4"	1"	1" 5/8	52.76
P-16-8-K-DF	1"	1/2"	1" 3/8	52.76
P-16-12-K-DF	1"	3/4"	1" 3/8	53.34
P-16-16-K-DF	1"	1"	1" 5/8	62.23

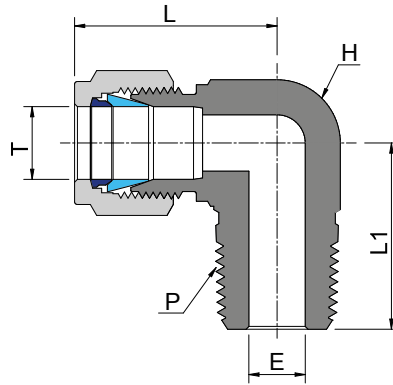
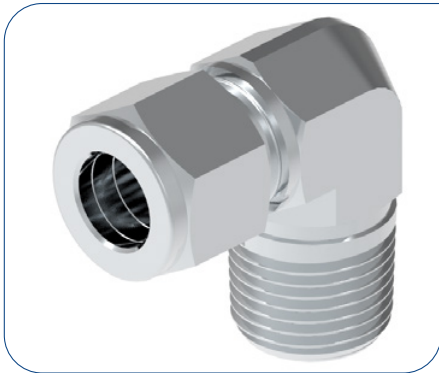
# DOUBLE FERRULE COMPRESSION FITTINGS

MALE ELBOW GM (METRIC TUBING X NPT THREAD)

bulk



[Back to Index](#)



GM SERIES

PART No.	TUBE	P	E	H (Hex)	L	L1
	OD, T					
	mm	NPT	mm	mm	mm	mm
M-2-2-GM	2	1/8"	1.7	11	19.1	17.8
M-2-4-GM	2	1/4"	1.7	11	19.1	23.4
M-3-2-GM	3	1/8"	2.4	13	23.6	18.8
M-3-4-GM	3	1/4"	2.4	13	23.4	23.4
M-4-2-GM	4	1/8"	2.4	13	25.4	18.8
M-4-4-GM	4	1/4"	2.4	13	25.4	23.4
M-6-2-GM	6	1/8"	4.8	13	27.0	18.8
M-6-4-GM	6	1/4"	4.8	13	27.0	23.4
M-6-6-GM	6	3/8"	4.8	18	29.8	26.2
M-6-8-GM	6	1/2"	4.8	21	31.8	33.0
M-8-2-GM	8	1/8"	6.4	15	28.8	19.8
M-8-4-GM	8	1/4"	6.4	15	28.8	24.4
M-8-6-GM	8	3/8"	6.4	18	30.6	26.2
M-8-8-GM	8	1/2"	6.4	21	32.6	33.0
M-10-2-GM	10	1/8"	7.9	18	31.5	23.6
M-10-4-GM	10	1/4"	7.9	18	31.5	26.2
M-10-6-GM	10	3/8"	7.9	18	31.5	26.2
M-10-8-GM	10	1/2"	7.9	21	33.5	33.0
M-10-12-GM	10	3/4"	7.9	27	37.3	36.8
M-12-4-GM	12	1/4"	9.5	21	36.0	28.2
M-12-6-GM	12	3/8"	9.5	21	36.0	28.2
M-12-8-GM	12	1/2"	9.5	21	36.0	33.0
M-12-12-GM	12	3/4"	9.5	27	39.8	36.8
M-12-16-GM	12	1"	9.5	35	44.6	41.7
M-14-4-GM	14	1/4"	12.7	24	38.0	30.2
M-14-6-GM	14	3/8"	12.7	24	38.0	30.2
M-14-8-GM	14	1/2"	12.7	24	38.0	35.1

PART No.	TUBE	P	E	H (Hex)	L	L1
	OD, T					
	mm	NPT	mm	mm	mm	mm
M-14-12-GM	14	3/4"	12.7	27	39.8	36.8
M-14-16-GM	14	1"	12.7	35	44.6	41.7
M-15-4-GM	15	1/4"	12.7	24	38.0	30.2
M-15-6-GM	15	3/8"	12.7	24	38.0	30.2
M-15-8-GM	15	1/2"	12.7	24	38.0	35.1
M-15-12-GM	15	3/4"	12.7	27	39.8	36.8
M-15-16-GM	15	1"	12.7	35	44.6	41.7
M-16-4-GM	16	1/4"	12.7	24	38.0	30.2
M-16-6-GM	16	3/8"	12.7	24	38.0	30.2
M-16-8-GM	16	1/2"	12.7	24	38.0	35.1
M-16-12-GM	16	3/4"	12.7	27	39.8	36.8
M-16-16-GM	16	1"	12.7	35	44.6	41.7
M-18-4-GM	18	1/4"	15.1	27	39.8	32.0
M-18-6-GM	18	3/8"	15.1	27	39.8	32.0
M-18-8-GM	18	1/2"	15.1	27	39.8	36.8
M-18-12-GM	18	3/4"	15.1	27	39.8	36.8
M-18-16-GM	18	1"	15.1	35	44.6	46.5
M-20-8-GM	20	1/2"	15.9	35	44.6	41.7
M-20-12-GM	20	3/4"	15.9	35	44.6	41.7
M-20-16-GM	20	1"	15.9	35	44.6	46.5
M-22-8-GM	22	1/2"	18.3	35	44.6	39.6
M-22-12-GM	22	3/4"	18.3	35	44.6	41.7
M-22-16-GM	22	1"	18.3	35	44.6	46.5
M-25-8-GM	25	1/2"	21.8	35	49.1	41.7
M-25-12-GM	25	3/4"	21.8	35	49.1	41.7
M-25-16-GM	25	1"	21.8	35	49.1	46.5



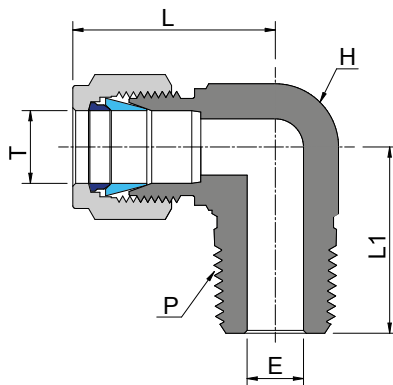
bulk

# DOUBLE FERRULE COMPRESSION FITTINGS

## MALE ELBOW GM (METRIC TUBING X BSPT THREAD)

[Back to Index](#)

GM SERIES



PART No.	TUBE OD, T	P	E	H (Hex)	L	L1
	mm					
M-2-2-J-GM	2	1/8"	1.7	11	19.1	17.8
M-2-4-J-GM	2	1/4"	1.7	11	19.1	23.4
M-3-2-J-GM	3	1/8"	2.4	13	23.6	18.8
M-3-4-J-GM	3	1/4"	2.4	13	23.4	23.4
M-4-2-J-GM	4	1/8"	2.4	13	25.4	18.8
M-4-4-J-GM	4	1/4"	2.4	13	25.4	23.4
M-6-2-J-GM	6	1/8"	4.8	13	27.0	18.8
M-6-4-J-GM	6	1/4"	4.8	13	27.0	23.4
M-6-6-J-GM	6	3/8"	4.8	17	29.8	26.2
M-6-8-J-GM	6	1/2"	4.8	21	31.8	33.0
M-8-2-J-GM	8	1/8"	6.4	15	28.8	19.8
M-8-4-J-GM	8	1/4"	6.4	15	28.8	24.4
M-8-6-J-GM	8	3/8"	6.4	18	30.6	26.2
M-8-8-J-GM	8	1/2"	6.4	21	32.6	33.0
M-10-2-J-GM	10	1/8"	7.9	18	31.5	23.6
M-10-4-J-GM	10	1/4"	7.9	18	31.5	26.2
M-10-6-J-GM	10	3/8"	7.9	18	31.5	26.2
M-10-8-J-GM	10	1/2"	7.9	21	33.5	33.0
M-10-12-J-GM	10	3/4"	7.9	27	37.3	36.8
M-12-4-J-GM	12	1/4"	9.5	21	36.0	28.2
M-12-6-J-GM	12	3/8"	9.5	21	36.0	28.2
M-12-8-J-GM	12	1/2"	9.5	21	36.0	33.0
M-12-12-J-GM	12	3/4"	9.5	27	39.8	36.8
M-12-16-J-GM	12	1"	9.5	35	44.6	41.7
M-14-4-J-GM	14	1/4"	12.7	24	38.0	30.2
M-14-6-J-GM	14	3/8"	12.7	24	38.0	30.2
M-14-8-J-GM	14	1/2"	12.7	24	38.0	35.1

PART No.	TUBE OD, T	P	E	H (Hex)	L	L1
	mm					
M-14-12-J-GM	14	3/4"	12.7	27	39.8	36.8
M-14-16-J-GM	14	1"	12.7	35	44.6	41.7
M-15-4-J-GM	15	1/4"	12.7	24	38.0	30.2
M-15-6-J-GM	15	3/8"	12.7	24	38.0	30.2
M-15-8-J-GM	15	1/2"	12.7	24	38.0	35.1
M-15-12-J-GM	15	3/4"	12.7	27	39.8	36.8
M-15-16-J-GM	15	1"	12.7	35	44.6	41.7
M-16-4-J-GM	16	1/4"	12.7	24	38.0	30.2
M-16-6-J-GM	16	3/8"	12.7	24	38.0	30.2
M-16-8-J-GM	16	1/2"	12.7	24	38.0	35.1
M-16-12-J-GM	16	3/4"	12.7	27	39.8	36.8
M-16-16-J-GM	16	1"	12.7	35	44.6	41.7
M-18-4-J-GM	18	1/4"	15.1	27	39.8	32
M-18-6-J-GM	18	3/8"	15.1	27	39.8	32
M-18-8-J-GM	18	1/2"	15.1	27	39.8	36.8
M-18-12-J-GM	18	3/4"	15.1	27	39.8	36.8
M-18-16-J-GM	18	1"	15.1	35	44.6	46.5
M-20-8-J-GM	20	1/2"	15.9	35	44.6	41.7
M-20-12-J-GM	20	3/4"	15.9	35	44.6	41.7
M-20-16-J-GM	20	1"	15.9	35	44.6	46.5
M-22-8-J-GM	22	1/2"	18.3	35	44.6	39.6
M-22-12-J-GM	22	3/4"	18.3	35	44.6	41.7
M-22-16-J-GM	22	1"	18.3	35	44.6	46.5
M-25-8-J-GM	25	1/2"	21.8	35	49.1	41.7
M-25-12-J-GM	25	3/4"	21.8	35	49.1	41.7
M-25-16-J-GM	25	1"	21.8	35	49.1	46.5

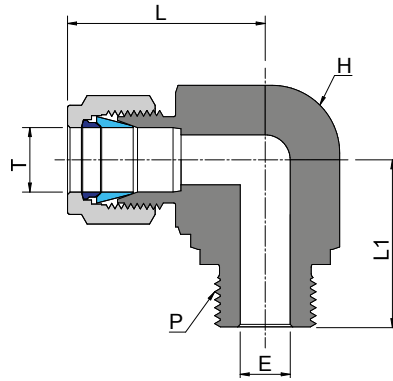
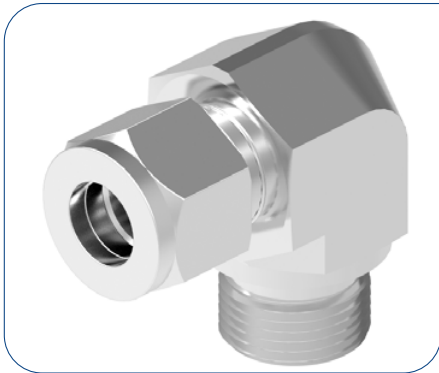
# DOUBLE FERRULE COMPRESSION FITTINGS

MALE ELBOW GM (METRIC TUBING X BSPP THREAD)

bulk



[Back to Index](#)



GM SERIES

PART No.	TUBE OD, T	P	E	H (Hex)	L	L1
	mm					
M-2-2-K-GM	2	1/8"	1.7	15	25.5	18.8
M-2-4-K-GM	2	1/4"	1.7	21	29.4	18.8
M-3-2-K-GM	3	1/8"	2.4	15	25.5	18.8
M-3-4-K-GM	3	1/4"	2.4	21	29.4	18.8
M-4-2-K-GM	4	1/8"	2.4	15	26.3	26.2
M-4-4-K-GM	4	1/4"	2.4	21	30.2	24.3
M-6-2-K-GM	6	1/8"	4.8	15	27.9	24.3
M-6-4-K-GM	6	1/4"	4.8	21	31.8	24.3
M-6-6-K-GM	6	3/8"	4.8	24	33.7	24.3
M-6-8-K-GM	6	1/2"	4.8	27	35.5	19.8
M-8-2-K-GM	8	1/8"	6.4	18	30.6	24.3
M-8-4-K-GM	8	1/4"	6.4	21	32.6	23.9
M-8-6-K-GM	8	3/8"	6.4	24	34.6	28.5
M-8-8-K-GM	8	1/2"	6.4	27	36.4	28.5
M-10-2-K-GM	10	1/8"	7.9	21	33.6	30.6
M-10-4-K-GM	10	1/4"	7.9	21	33.6	30.6
M-10-6-K-GM	10	3/8"	7.9	24	35.5	30.6
M-10-8-K-GM	10	1/2"	7.9	27	37.3	35.1
M-10-12-K-GM	10	3/4"	7.9	35	42.1	35.1
M-12-4-K-GM	12	1/4"	9.5	24	38.0	35.1
M-12-6-K-GM	12	3/8"	9.5	24	38.0	35.1
M-12-8-K-GM	12	1/2"	9.5	27	39.8	32.4
M-12-12-K-GM	12	3/4"	9.5	35	44.6	32.4
M-12-16-K-GM	12	1"	9.5	43	49.4	35.1
M-14-4-K-GM	14	1/4"	12.7	27	39.8	32.4
M-14-6-K-GM	14	3/8"	12.7	27	39.8	32.4
M-14-8-K-GM	14	1/2"	12.7	27	39.8	35.1

PART No.	TUBE OD, T	P	E	H (Hex)	L	L1
	mm					
M-14-12-K-GM	14	3/4"	12.7	35	44.6	32.4
M-14-16-K-GM	14	1"	12.7	43	49.4	32.4
M-15-4-K-GM	15	1/4"	12.7	27	39.8	35.1
M-15-6-K-GM	15	3/8"	12.7	27	39.8	32.4
M-15-8-K-GM	15	1/2"	12.7	27	39.8	32.4
M-15-12-K-GM	15	3/4"	12.7	35	44.6	35.1
M-15-16-K-GM	15	1"	12.7	43	49.4	35.1
M-16-4-K-GM	16	1/4"	12.7	27	39.8	35.1
M-16-6-K-GM	16	3/8"	12.7	27	39.8	41.9
M-16-8-K-GM	16	1/2"	12.7	27	39.8	41.9
M-16-12-K-GM	16	3/4"	12.7	35	44.6	41.9
M-16-16-K-GM	16	1"	12.7	43	49.4	41.9
M-18-4-K-GM	18	1/4"	15.1	27	39.8	41.9
M-18-6-K-GM	18	3/8"	15.1	27	39.8	41.9
M-18-8-K-GM	18	1/2"	15.1	27	39.8	41.9
M-18-12-K-GM	18	3/4"	15.1	35	44.6	41.9
M-18-16-K-GM	18	1"	15.1	43	49.4	39.9
M-20-8-K-GM	20	1/2"	15.9	27	39.8	41.9
M-20-12-K-GM	20	3/4"	15.9	35	44.6	49.3
M-20-16-K-GM	20	1"	15.9	43	49.4	49.3
M-22-8-K-GM	22	1/2"	18.3	27	39.8	49.3
M-22-12-K-GM	22	3/4"	18.3	35	44.6	49.3
M-22-16-K-GM	22	1"	18.3	43	49.4	49.3
M-25-8-K-GM	25	1/2"	21.8	35	49.1	49.3
M-25-12-K-GM	25	3/4"	21.8	35	49.1	49.3
M-25-16-K-GM	25	1"	21.8	43	53.9	49.3



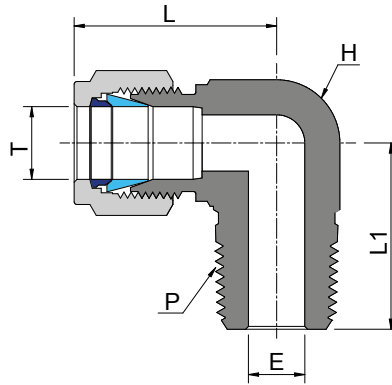
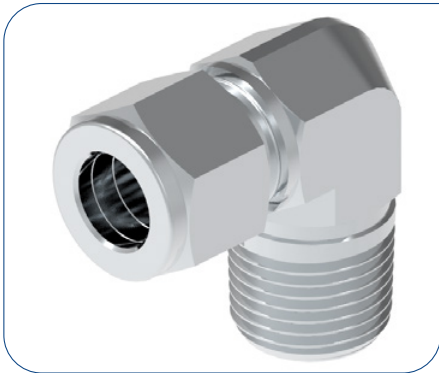
**bulk**

# DOUBLE FERRULE COMPRESSION FITTINGS

## MALE ELBOW GM (FRACTIONAL TUBING X NPT THREAD)

[Back to Index](#)

GM SERIES



PART No.	TUBE OD, T	P	E	H (Hex)	H (Hex)	L	L1
	inch						
P-1-1-GM	1/16"	1/16"	1.27	11.11	7/16"	19.05	17.78
P-1-2-GM	1/16"	1/8"	1.27	11.11	7/16"	19.05	17.78
P-1-4-GM	1/16"	1/4"	1.27	12.70	1/2"	20.59	23.26
P-2-1-GM	1/8"	1/16"	2.28	11.11	7/16"	23.63	17.78
P-2-2-GM	1/8"	1/8"	2.28	12.70	1/2"	24.91	18.90
P-2-4-GM	1/8"	1/4"	2.28	12.70	1/2"	24.91	23.26
P-3-2-GM	3/16"	1/8"	3.04	12.70	1/2"	25.40	18.79
P-3-4-GM	3/16"	1/4"	3.04	12.70	1/2"	25.40	23.36
P-3-6-GM	3/16"	3/8"	3.04	17.46	11/16"	27.93	26.20
P-4-1-GM	1/4"	1/16"	4.82	12.70	1/2"	26.90	18.79
P-4-2-GM	1/4"	1/8"	4.82	12.70	1/2"	26.47	18.79
P-4-4-GM	1/4"	1/4"	4.82	12.70	1/2"	27.18	23.87
P-4-6-GM	1/4"	3/8"	4.82	17.46	11/16"	29.71	26.20
P-4-8-GM	1/4"	1/2"	4.82	20.64	13/16"	31.97	33.02
P-4-12-GM	1/4"	3/4"	4.82	26.98	1" 1/16"	35.56	36.83
P-5-2-GM	5/16"	1/8"	6.35	14.28	9/16"	28.70	19.81
P-5-4-GM	5/16"	1/4"	6.35	14.28	9/16"	29.77	24.50
P-5-6-GM	5/16"	3/8"	6.35	17.46	11/16"	30.48	26.20
P-5-8-GM	5/16"	1/2"	6.35	20.64	13/16"	30.66	33.02
P-5-12-GM	5/16"	3/4"	6.35	26.98	1" 1/16"	36.32	36.83
P-6-2-GM	3/8"	1/8"	7.11	15.87	5/8"	30.48	20.60

PART No.	TUBE OD, T	P	E	H (Hex)	H (Hex)	L	L1
	inch						
P-6-4-GM	3/8"	1/4"	7.11	15.87	5/8"	30.48	25.40
P-6-6-GM	3/8"	3/8"	7.11	17.46	11/16"	31.24	26.20
P-6-8-GM	3/8"	1/2"	7.11	20.64	13/16"	31.42	33.02
P-6-12-GM	3/8"	3/4"	7.11	26.98	1" 1/16"	37.08	36.83
P-8-2-GM	1/2"	1/8"	10.41	20.64	13/16"	36.06	23.87
P-8-4-GM	1/2"	1/4"	10.41	20.64	13/16"	36.06	28.30
P-8-6-GM	1/2"	3/8"	10.41	20.64	13/16"	36.06	28.30
P-8-8-GM	1/2"	1/2"	10.41	20.64	13/16"	36.06	33.02
P-8-12-GM	1/2"	3/4"	10.41	26.98	1" 1/16"	39.87	36.83
P-8-16-GM	1/2"	1"	10.41	34.92	1" 3/8"	44.45	46.70
P-10-6-GM	5/8"	3/8"	12.70	23.81	15/16"	37.06	30.22
P-10-8-GM	5/8"	1/2"	12.70	23.81	15/16"	37.06	35.10
P-10-12-GM	5/8"	3/4"	12.70	26.98	1" 1/16"	39.87	36.83
P-12-4-GM	3/4"	1/4"	15.74	26.98	1" 1/16"	39.87	32.03
P-12-6-GM	3/4"	3/8"	15.74	26.98	1" 1/16"	39.87	32.03
P-12-8-GM	3/4"	1/2"	15.74	26.98	1" 1/16"	39.87	36.83
P-12-12-GM	3/4"	3/4"	15.74	26.98	1" 1/16"	39.87	36.83
P-12-16-GM	3/4"	1"	15.74	34.92	1" 3/8"	44.45	46.70
P-16-8-GM	1"	1/2"	22.35	34.92	1" 3/8"	49.02	42.20
P-16-12-GM	1"	3/4"	22.35	34.92	1" 3/8"	49.02	42.20
P-16-16-GM	1"	1"	22.35	34.92	1" 3/8"	49.02	46.70

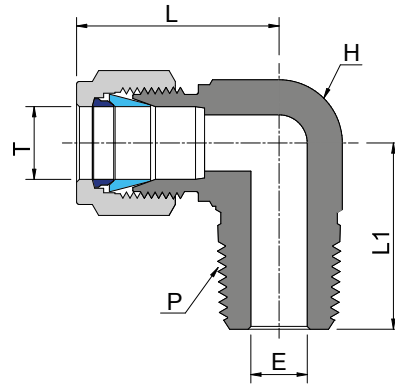
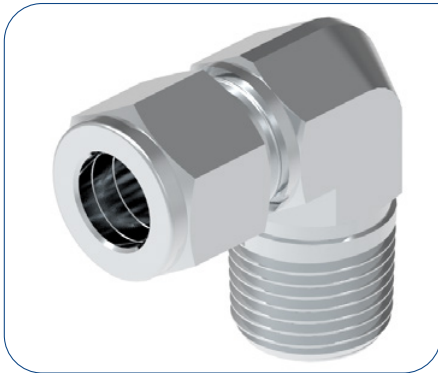
# DOUBLE FERRULE COMPRESSION FITTINGS

MALE ELBOW GM (FRACTIONAL TUBING X BSPT THREAD)

bulk



[Back to Index](#)



GM SERIES

PART No.	TUBE	P	E	H	H	L	L1
	OD, T						
	inch	BSPT	mm	mm	inch	mm	mm
P-1-1-J-GM	1/16"	1/16"	1.27	11.11	7/16"	19.05	17.78
P-1-2-J-GM	1/16"	1/8"	1.27	11.11	7/16"	19.05	17.78
P-1-4-J-GM	1/16"	1/4"	1.27	12.70	1/2"	20.59	23.26
P-2-1-J-GM	1/8"	1/16"	2.28	11.11	7/16"	23.63	17.78
P-2-2-J-GM	1/8"	1/8"	2.28	12.70	1/2"	24.91	18.90
P-2-4-J-GM	1/8"	1/4"	2.28	12.70	1/2"	24.91	23.26
P-3-2-J-GM	3/16"	1/8"	3.04	12.70	1/2"	25.40	18.79
P-3-4-J-GM	3/16"	1/4"	3.04	12.70	1/2"	25.40	23.36
P-3-6-J-GM	3/16"	3/8"	3.04	17.46	11/16"	27.93	26.20
P-4-1-J-GM	1/4"	1/16"	4.82	12.70	1/2"	26.90	18.79
P-4-2-J-GM	1/4"	1/8"	4.82	12.70	1/2"	26.47	18.79
P-4-4-J-GM	1/4"	1/4"	4.82	12.70	1/2"	27.18	23.87
P-4-6-J-GM	1/4"	3/8"	4.82	17.46	11/16"	29.71	26.20
P-4-8-J-GM	1/4"	1/2"	4.82	20.64	13/16"	31.97	33.02
P-4-12-J-GM	1/4"	3/4"	4.82	26.98	1" 1/16"	35.56	36.83
P-5-2-J-GM	5/16"	1/8"	6.35	14.28	9/16"	28.70	19.81
P-5-4-J-GM	5/16"	1/4"	6.35	14.28	9/16"	29.77	24.50
P-5-6-J-GM	5/16"	3/8"	6.35	17.46	11/16"	30.48	26.20
P-5-8-J-GM	5/16"	1/2"	6.35	20.64	13/16"	30.66	33.02
P-5-12-J-GM	5/16"	3/4"	6.35	26.98	1" 1/16"	36.32	36.83
P-6-2-J-GM	3/8"	1/8"	7.11	15.87	5/8"	30.48	20.60

PART No.	TUBE	P	E	H	H	L	L1
	OD, T						
	inch	BSPT	mm	mm	inch	mm	mm
P-6-4-J-GM	3/8"	1/4"	7.11	15.87	5/8"	30.48	25.40
P-6-6-J-GM	3/8"	3/8"	7.11	17.46	11/16"	31.24	26.20
P-6-8-J-GM	3/8"	1/2"	7.11	20.64	13/16"	31.42	33.02
P-6-12-J-GM	3/8"	3/4"	7.11	26.98	1" 1/16"	37.08	36.83
P-8-2-J-GM	1/2"	1/8"	10.41	20.64	13/16"	36.06	23.87
P-8-4-J-GM	1/2"	1/4"	10.41	20.64	13/16"	36.06	28.30
P-8-6-J-GM	1/2"	3/8"	10.41	20.64	13/16"	36.06	28.30
P-8-8-J-GM	1/2"	1/2"	10.41	20.64	13/16"	36.06	33.02
P-8-12-J-GM	1/2"	3/4"	10.41	26.98	1" 1/16"	39.87	36.83
P-8-16-J-GM	1/2"	1"	10.41	34.92	1" 3/8"	44.45	46.70
P-10-6-J-GM	5/8"	3/8"	12.70	23.81	15/16"	37.06	30.22
P-10-8-J-GM	5/8"	1/2"	12.70	23.81	15/16"	37.06	35.10
P-10-12-J-GM	5/8"	3/4"	12.70	26.98	1" 1/16"	39.87	36.83
P-12-4-J-GM	3/4"	1/4"	15.74	26.98	1" 1/16"	39.87	32.03
P-12-6-J-GM	3/4"	3/8"	15.74	26.98	1" 1/16"	39.87	32.03
P-12-8-J-GM	3/4"	1/2"	15.74	26.98	1" 1/16"	39.87	36.83
P-12-12-J-GM	3/4"	3/4"	15.74	26.98	1" 1/16"	39.87	36.83
P-12-16-J-GM	3/4"	1"	15.74	34.92	1" 3/8"	44.45	46.70
P-16-8-J-GM	1"	1/2"	22.35	34.92	1" 3/8"	49.02	42.20
P-16-12-J-GM	1"	3/4"	22.35	34.92	1" 3/8"	49.02	42.20
P-16-16-J-GM	1"	1"	22.35	34.92	1" 3/8"	49.02	46.70



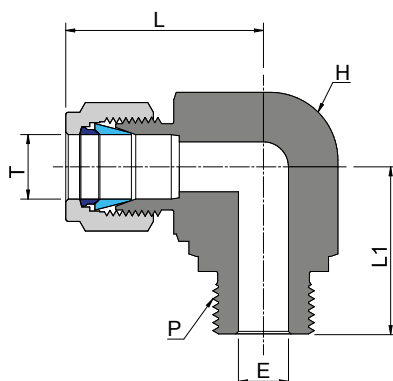
bulk

# DOUBLE FERRULE COMPRESSION FITTINGS

## MALE ELBOW GM (FRACTIONAL TUBING X BSPP THREAD)

[Back to Index](#)

GM SERIES



PART No.	TUBE OD, T	P	E	H (Hex)	H (Hex)	L	L1
	inch						
P-1-1-K-GM	1/16"	1/16"	1.27	11.11	7/16"	19.05	20.6
P-1-2-K-GM	1/16"	1/8"	1.27	14.28	9/16"	22.15	22.5
P-1-4-K-GM	1/16"	1/4"	1.27	20.64	13/16"	25.11	28.5
P-2-1-K-GM	1/8"	1/16"	2.28	11.11	7/16"	23.62	20.6
P-2-2-K-GM	1/8"	1/8"	2.28	14.28	9/16"	26.47	22.5
P-2-4-K-GM	1/8"	1/4"	2.28	20.64	13/16"	29.43	28.5
P-3-2-K-GM	3/16"	1/8"	3.04	15.87	5/8"	27.18	23.2
P-3-4-K-GM	3/16"	1/4"	3.04	20.64	13/16"	28.12	28.5
P-3-6-K-GM	3/16"	3/8"	3.04	23.81	7/8"	31.22	30.6
P-4-1-K-GM	1/4"	1/16"	4.82	12.70	1/2"	26.47	20.6
P-4-2-K-GM	1/4"	1/8"	4.82	14.28	9/16"	29.01	22.5
P-4-4-K-GM	1/4"	1/4"	4.82	20.64	13/16"	31.97	28.5
P-4-6-K-GM	1/4"	3/8"	4.82	23.81	7/8"	33.00	30.6
P-4-8-K-GM	1/4"	1/2"	4.82	26.98	1" 1/16"	35.56	35.1
P-4-12-K-GM	1/4"	3/4"	4.82	34.92	1" 3/8"	40.64	41.9
P-5-2-K-GM	5/16"	1/8"	6.35	15.87	5/8"	30.48	23.2
P-5-4-K-GM	5/16"	1/4"	6.35	20.64	13/16"	30.66	28.5
P-5-6-K-GM	5/16"	3/8"	6.35	23.81	7/8"	33.76	30.6
P-5-8-K-GM	5/16"	1/2"	6.35	26.98	1" 1/16"	36.32	35.1
P-5-12-K-GM	5/16"	3/4"	6.35	34.92	1" 3/8"	41.40	41.9
P-6-2-K-GM	3/8"	1/8"	7.11	15.87	5/8"	30.48	23.2

PART No.	TUBE OD, T	P	E	H (Hex)	H (Hex)	L	L1
	inch						
P-6-4-K-GM	3/8"	1/4"	7.11	20.64	13/16"	31.42	28.5
P-6-6-K-GM	3/8"	3/8"	7.11	23.81	7/8"	34.52	30.6
P-6-8-K-GM	3/8"	1/2"	7.11	26.98	1" 1/16"	37.08	35.1
P-6-12-K-GM	3/8"	3/4"	7.11	34.92	1" 3/8"	42.16	41.9
P-8-2-K-GM	1/2"	1/8"	10.41	15.87	5/8"	33.02	23.2
P-8-4-K-GM	1/2"	1/4"	10.41	20.64	13/16"	36.03	28.5
P-8-6-K-GM	1/2"	3/8"	10.41	23.81	7/8"	37.06	30.6
P-8-8-K-GM	1/2"	1/2"	10.41	26.98	1" 1/16"	39.62	35.1
P-8-12-K-GM	1/2"	3/4"	10.41	34.92	1" 3/8"	44.70	41.9
P-8-16-K-GM	1/2"	1"	10.41	42.86	1" 11/16"	49.52	49.3
P-10-6-K-GM	5/8"	3/8"	12.70	23.81	7/8"	37.06	30.6
P-10-8-K-GM	5/8"	1/2"	12.70	26.98	1" 1/16"	39.87	35.1
P-10-12-K-GM	5/8"	3/4"	12.70	34.92	1" 3/8"	44.70	41.9
P-12-4-K-GM	3/4"	1/4"	15.74	26.98	1" 1/16"	39.87	32.1
P-12-6-K-GM	3/4"	3/8"	15.74	26.98	1" 1/16"	39.87	32.1
P-12-8-K-GM	3/4"	1/2"	15.74	26.98	1" 1/16"	39.87	35.1
P-12-12-K-GM	3/4"	3/4"	15.74	34.92	1" 3/8"	44.70	41.9
P-12-16-K-GM	3/4"	1"	15.74	42.86	1" 11/16"	49.52	49.3
P-16-8-K-GM	1"	1/2"	22.35	34.92	1" 3/8"	49.02	39.9
P-16-12-K-GM	1"	3/4"	22.35	34.92	1" 3/8"	49.02	41.9
P-16-16-K-GM	1"	1"	22.35	42.86	1" 11/16"	54.09	49.3

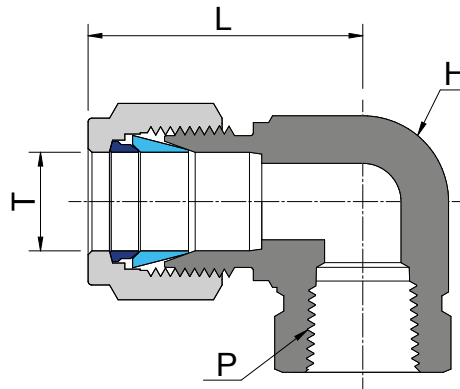
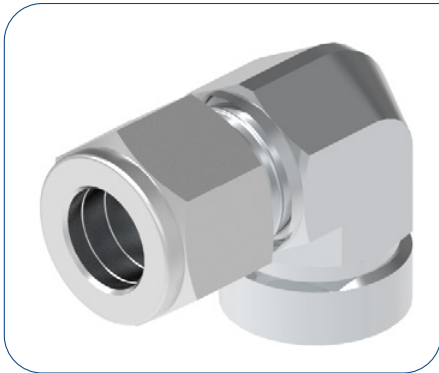
# DOUBLE FERRULE COMPRESSION FITTINGS

FEMALE ELBOW GF (METRIC TUBING X NPT THREAD)

bulk



[Back to Index](#)



GF SERIES

PART No.	TUBE OD, T	P NPT	H (Hex) mm	L mm
	mm			
M-2-2-GF	2	1/8"	13	24.6
M-2-4-GF	2	1/4"	18	27.4
M-3-2-GF	3	1/8"	13	24.6
M-3-4-GF	3	1/4"	18	27.4
M-4-2-GF	4	1/8"	13	25.5
M-4-4-GF	4	1/4"	18	28.3
M-6-2-GF	6	1/8"	13	27.0
M-6-4-GF	6	1/4"	18	29.8
M-6-6-GF	6	3/8"	21	31.7
M-6-8-GF	6	1/2"	26	34.6
M-8-2-GF	8	1/8"	26	29.9
M-8-4-GF	8	1/4"	18	30.6
M-8-6-GF	8	3/8"	21	32.4
M-8-8-GF	8	1/2"	26	35.2
M-10-2-GF	10	1/8"	18	31.5
M-10-4-GF	10	1/4"	18	33.5
M-10-6-GF	10	3/8"	21	33.5
M-10-8-GF	10	1/2"	26	36.1
M-10-12-GF	10	3/4"	35	42.1
M-12-4-GF	12	1/4"	21	36.0
M-12-6-GF	12	3/8"	21	36.2
M-12-8-GF	12	1/2"	26	38.8
M-12-12-GF	12	3/4"	35	44.6
M-12-16-GF	12	1"	43	51.5
M-14-4-GF	14	1/4"	26	40.0
M-14-6-GF	14	3/8"	26	40.0
M-14-8-GF	14	1/2"	26	40.0

PART No.	TUBE OD, T	P NPT	H (Hex) mm	L mm
	mm			
M-14-12-GF	14	3/4"	35	44.6
M-14-16-GF	14	1"	43	51.5
M-15-4-GF	15	1/4"	26	40.0
M-15-6-GF	15	3/8"	26	40.0
M-15-8-GF	15	1/2"	26	40.0
M-15-12-GF	15	3/4"	35	44.6
M-15-16-GF	15	1"	43	51.5
M-16-4-GF	16	1/4"	26	40.0
M-16-6-GF	16	3/8"	26	40.0
M-16-8-GF	16	1/2"	27	40.0
M-16-12-GF	16	3/4"	35	44.6
M-16-16-GF	16	1"	43	51.5
M-18-4-GF	18	1/4"	27	40.0
M-18-6-GF	18	3/8"	27	40.0
M-18-8-GF	18	1/2"	27	40.0
M-18-12-GF	18	3/4"	35	44.6
M-18-16-GF	18	1"	43	51.5
M-20-8-GF	20	1/2"	35	42.6
M-20-12-GF	20	3/4"	35	42.6
M-20-16-GF	20	1"	43	51.5
M-22-8-GF	22	1/2"	35	42.6
M-22-12-GF	22	3/4"	35	42.6
M-22-16-GF	22	1"	43	51.5
M-25-8-GF	25	1/2"	35	49.1
M-25-12-GF	25	3/4"	35	49.1
M-25-16-GF	25	1"	43	56.1



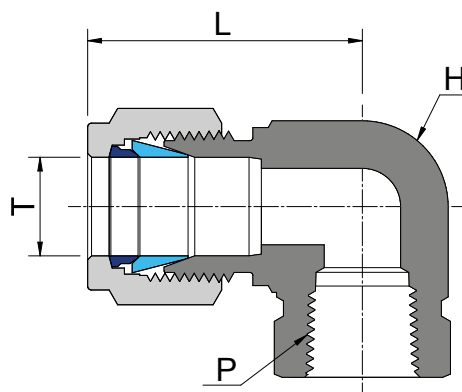
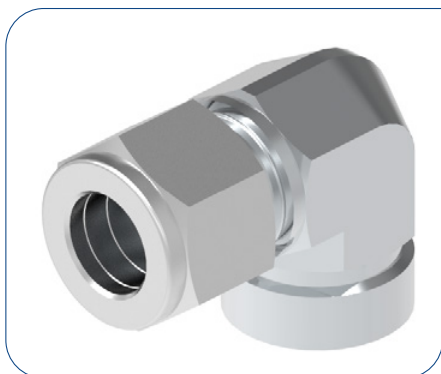
bulk

# DOUBLE FERRULE COMPRESSION FITTINGS

## FEMALE ELBOW GF (METRIC TUBING X BSPT THREAD)

[Back to Index](#)

CF SERIES



PART No.	TUBE OD, T	P BSPT	H (Hex) mm	L mm
	mm			
M-2-2-J-GF	2	1/8"	13	24.6
M-2-4-J-GF	2	1/4"	18	27.4
M-3-2-J-GF	3	1/8"	13	24.6
M-3-4-J-GF	3	1/4"	18	27.4
M-4-2-J-GF	4	1/8"	13	25.5
M-4-4-J-GF	4	1/4"	18	28.3
M-6-2-J-GF	6	1/8"	13	27.0
M-6-4-J-GF	6	1/4"	18	29.8
M-6-6-J-GF	6	3/8"	21	31.7
M-6-8-J-GF	6	1/2"	26	34.6
M-8-2-J-GF	8	1/8"	16	29.9
M-8-4-J-GF	8	1/4"	18	30.6
M-8-6-J-GF	8	3/8"	21	32.4
M-8-8-J-GF	8	1/2"	26	35.2
M-10-2-J-GF	10	1/8"	18	31.5
M-10-4-J-GF	10	1/4"	18	33.5
M-10-6-J-GF	10	3/8"	21	33.5
M-10-8-J-GF	10	1/2"	26	36.1
M-10-12-J-GF	10	3/4"	35	42.1
M-12-4-J-GF	12	1/4"	21	36.0
M-12-6-J-GF	12	3/8"	21	36.2
M-12-8-J-GF	12	1/2"	26	38.8
M-12-12-J-GF	12	3/4"	35	44.6
M-12-16-J-GF	12	1"	43	51.5
M-14-4-J-GF	14	1/4"	26	40.0
M-14-6-J-GF	14	3/8"	26	40.0
M-14-8-J-GF	14	1/2"	26	40.0

PART No.	TUBE OD, T	P BSPT	H (Hex) mm	L mm
	mm			
M-14-12-J-GF	14	3/4"	35	44.6
M-14-16-J-GF	14	1"	43	51.5
M-15-4-J-GF	15	1/4"	26	40.0
M-15-6-J-GF	15	3/8"	26	40.0
M-15-8-J-GF	15	1/2"	26	40.0
M-15-12-J-GF	15	3/4"	35	44.6
M-15-16-J-GF	15	1"	43	51.5
M-16-4-J-GF	16	1/4"	26	40.0
M-16-6-J-GF	16	3/8"	26	40.0
M-16-8-J-GF	16	1/2"	27	40.0
M-16-12-J-GF	16	3/4"	35	44.6
M-16-16-J-GF	16	1"	43	51.5
M-18-4-J-GF	18	1/4"	27	40.0
M-18-6-J-GF	18	3/8"	27	40.0
M-18-8-J-GF	18	1/2"	27	40.0
M-18-12-J-GF	18	3/4"	35	44.6
M-18-16-J-GF	18	1"	43	51.5
M-20-8-J-GF	20	1/2"	35	42.6
M-20-12-J-GF	20	3/4"	35	42.6
M-20-16-J-GF	20	1"	43	51.5
M-22-8-J-GF	22	1/2"	35	42.6
M-22-12-J-GF	22	3/4"	35	42.6
M-22-16-J-GF	22	1"	43	51.5
M-25-8-J-GF	25	1/2"	35	49.1
M-25-12-J-GF	25	3/4"	35	49.1
M-25-16-J-GF	25	1"	43	56.1

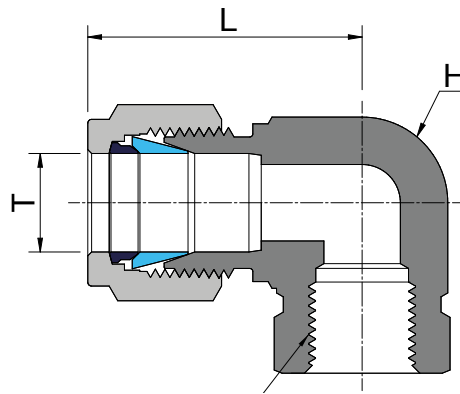
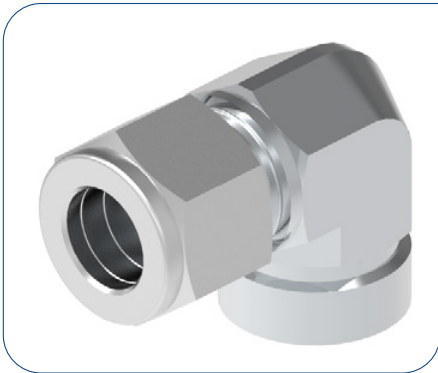
# DOUBLE FERRULE COMPRESSION FITTINGS

FEMALE ELBOW GF (METRIC TUBING X BSPP THREAD)

bulk



[Back to Index](#)



GF SERIES

PART No.	TUBE OD, T	P BSPP	H (Hex) mm	L mm
	mm			
M-2-2-K-GF	2	1/8"	13	24.6
M-2-4-K-GF	2	1/4"	18	27.4
M-3-2-K-GF	3	1/8"	13	24.6
M-3-4-K-GF	3	1/4"	18	27.4
M-4-2-K-GF	4	1/8"	13	25.5
M-4-4-K-GF	4	1/4"	18	28.3
M-6-2-K-GF	6	1/8"	13	27.0
M-6-4-K-GF	6	1/4"	18	29.8
M-6-6-K-GF	6	3/8"	21	31.7
M-6-8-K-GF	6	1/2"	26	34.6
M-8-2-K-GF	8	1/8"	16	29.9
M-8-4-K-GF	8	1/4"	18	30.6
M-8-6-K-GF	8	3/8"	21	32.4
M-8-8-K-GF	8	1/2"	26	35.2
M-10-2-K-GF	10	1/8"	18	31.5
M-10-4-K-GF	10	1/4"	18	33.5
M-10-6-K-GF	10	3/8"	21	33.5
M-10-8-K-GF	10	1/2"	26	36.1
M-10-12-K-GF	10	3/4"	35	42.1
M-12-4-K-GF	12	1/4"	21	36.0
M-12-6-K-GF	12	3/8"	21	36.2
M-12-8-K-GF	12	1/2"	26	38.8
M-12-12-K-GF	12	3/4"	35	44.6
M-12-16-K-GF	12	1"	43	51.5
M-14-4-K-GF	14	1/4"	26	40.0
M-14-6-K-GF	14	3/8"	26	40.0
M-14-8-K-GF	14	1/2"	26	40.0

PART No.	TUBE OD, T	P BSPP	H (Hex) mm	L mm
	mm			
M-14-12-K-GF	14	3/4"	35	44.6
M-14-16-K-GF	14	1"	43	51.5
M-15-4-K-GF	15	1/4"	26	40.0
M-15-6-K-GF	15	3/8"	26	40.0
M-15-8-K-GF	15	1/2"	26	40.0
M-15-12-K-GF	15	3/4"	35	44.6
M-15-16-K-GF	15	1"	43	51.5
M-16-4-K-GF	16	1/4"	26	40.0
M-16-6-K-GF	16	3/8"	26	40.0
M-16-8-K-GF	16	1/2"	27	40.0
M-16-12-K-GF	16	3/4"	35	44.6
M-16-16-K-GF	16	1"	43	51.5
M-18-4-K-GF	18	1/4"	27	40.0
M-18-6-K-GF	18	3/8"	27	40.0
M-18-8-K-GF	18	1/2"	27	40.0
M-18-12-K-GF	18	3/4"	35	44.6
M-18-16-K-GF	18	1"	43	51.5
M-20-8-K-GF	20	1/2"	35	42.6
M-20-12-K-GF	20	3/4"	35	42.6
M-20-16-K-GF	20	1"	43	51.5
M-22-8-K-GF	22	1/2"	35	42.6
M-22-12-K-GF	22	3/4"	35	42.6
M-22-16-K-GF	22	1"	43	51.5
M-25-8-K-GF	25	1/2"	35	49.1
M-25-12-K-GF	25	3/4"	35	49.1
M-25-16-K-GF	25	1"	43	56.1



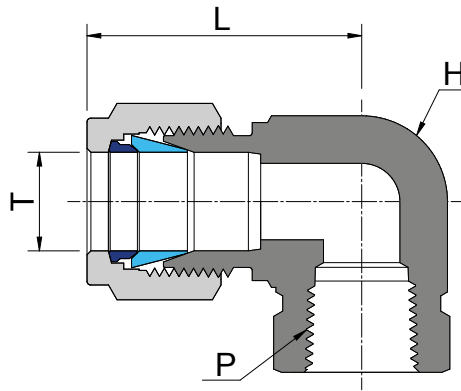
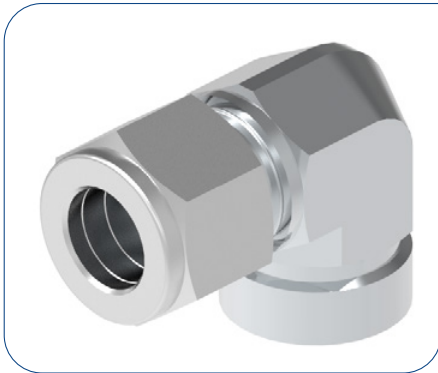
bulk

# DOUBLE FERRULE COMPRESSION FITTINGS

## FEMALE ELBOW GF (FRACTIONAL TUBING X NPT THREAD)

[Back to Index](#)

GF SERIES



PART No.	TUBE OD, T	P NPT	H (Hex) inch	L mm
	inch			
P-1-1-GF	1/16"	1/16"	7/16"	19.05
P-1-2-GF	1/16"	1/8"	1/2"	20.20
P-1-4-GF	1/16"	1/4"	11/16"	23.00
P-2-1-GF	1/8"	1/16"	7/16"	19.05
P-2-2-GF	1/8"	1/8"	1/2"	24.63
P-2-4-GF	1/8"	1/4"	11/16"	27.43
P-3-2-GF	3/16"	1/8"	1/2"	25.40
P-3-4-GF	3/16"	1/4"	11/16"	27.30
P-3-6-GF	3/16"	3/8"	13/16"	30.20
P-4-1-GF	1/4"	1/16"	1/2"	26.92
P-4-2-GF	1/4"	1/8"	1/2"	26.92
P-4-4-GF	1/4"	1/4"	11/16"	29.71
P-4-6-GF	1/4"	3/8"	13/16"	31.75
P-4-8-GF	1/4"	1/2"	1"	34.54
P-4-12-GF	1/4"	3/4"	1" 3/8	40.30
P-5-2-GF	5/16"	1/8"	9/16"	28.70
P-5-4-GF	5/16"	1/4"	11/16"	30.48
P-5-6-GF	5/16"	3/8"	13/16"	31.24
P-5-8-GF	5/16"	1/2"	1"	33.27
P-5-12-GF	5/16"	3/4"	1" 3/8	36.06
P-6-2-GF	3/8"	1/8"	5/8"	30.48
P-6-4-GF	3/8"	1/4"	11/16"	31.24

PART No.	TUBE OD, T	P NPT	H (Hex) inch	L mm
	inch			
P-6-6-GF	3/8"	3/8"	13/16"	33.27
P-6-8-GF	3/8"	1/2"	1"	36.06
P-6-12-GF	3/8"	3/4"	1" 3/8	41.80
P-8-2-GF	1/2"	1/8"	13/16"	36.06
P-8-4-GF	1/2"	1/4"	13/16"	36.06
P-8-6-GF	1/2"	3/8"	13/16"	36.06
P-8-8-GF	1/2"	1/2"	1"	38.86
P-8-12-GF	1/2"	3/4"	1" 3/8	44.60
P-8-16-GF	1/2"	1"	1" 11/16	49.19
P-10-6-GF	5/8"	3/8"	15/16"	38.10
P-10-8-GF	5/8"	1/2"	1"	38.86
P-10-12-GF	5/8"	3/4"	1" 3/8	44.60
P-12-4-GF	3/4"	1/4"	1" 1/16	39.87
P-12-6-GF	3/4"	3/8"	1" 1/16	39.87
P-12-8-GF	3/4"	1/2"	1" 1/16	39.87
P-12-12-GF	3/4"	3/4"	1" 3/8	44.70
P-12-16-GF	3/4"	1"	1" 11/16	49.29
P-16-8-GF	1"	1/2"	1" 3/8	49.02
P-16-12-GF	1"	3/4"	1" 3/8	49.02
P-16-16-GF	1"	1"	1" 11/16	50.29

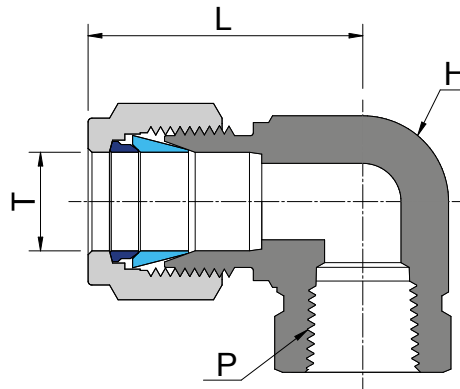
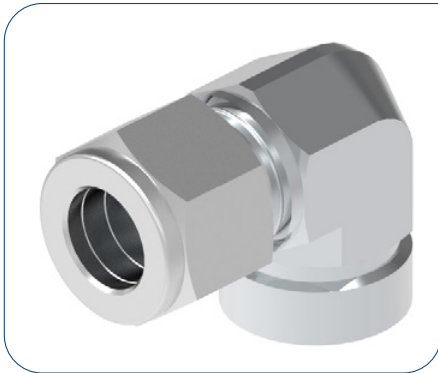
# DOUBLE FERRULE COMPRESSION FITTINGS

FEMALE ELBOW GF (FRACTIONAL TUBING X BSPT THREAD)

bulk



[Back to Index](#)



GF SERIES

PART No.	TUBE OD, T	P BSPT	H (Hex) inch	L mm
	inch			
P-1-1-J-GF	1/16"	1/16"	7/16"	19.05
P-1-2-J-GF	1/16"	1/8"	1/2"	20.20
P-1-4-J-GF	1/16"	1/4"	11/16"	23.00
P-2-1-J-GF	1/8"	1/16"	7/16"	19.05
P-2-2-J-GF	1/8"	1/8"	1/2"	24.63
P-2-4-J-GF	1/8"	1/4"	11/16"	27.43
P-3-2-J-GF	3/16"	1/8"	1/2"	25.40
P-3-4-J-GF	3/16"	1/4"	11/16"	27.30
P-3-6-J-GF	3/16"	3/8"	13/16"	30.20
P-4-1-J-GF	1/4"	1/16"	1/2"	26.92
P-4-2-J-GF	1/4"	1/8"	1/2"	26.92
P-4-4-J-GF	1/4"	1/4"	11/16"	29.71
P-4-6-J-GF	1/4"	3/8"	13/16"	31.75
P-4-8-J-GF	1/4"	1/2"	1"	34.54
P-4-12-J-GF	1/4"	3/4"	1" 3/8"	40.30
P-5-2-J-GF	5/16"	1/8"	9/16"	28.70
P-5-4-J-GF	5/16"	1/4"	11/16"	30.48
P-5-6-J-GF	5/16"	3/8"	13/16"	31.24
P-5-8-J-GF	5/16"	1/2"	1"	33.27
P-5-12-J-GF	5/16"	3/4"	1" 3/8"	36.06
P-6-2-J-GF	3/8"	1/8"	5/8"	30.48
P-6-4-J-GF	3/8"	1/4"	11/16"	31.24

PART No.	TUBE OD, T	P BSPT	H (Hex) inch	L mm
	inch			
P-6-6-J-GF	3/8"	3/8"	13/16"	33.27
P-6-8-J-GF	3/8"	1/2"	1"	36.06
P-6-12-J-GF	3/8"	3/4"	1" 3/8"	41.80
P-8-2-J-GF	1/2"	1/8"	13/16"	36.06
P-8-4-J-GF	1/2"	1/4"	13/16"	36.06
P-8-6-J-GF	1/2"	3/8"	13/16"	36.06
P-8-8-J-GF	1/2"	1/2"	1"	38.86
P-8-12-J-GF	1/2"	3/4"	1" 3/8"	44.60
P-8-16-J-GF	1/2"	1"	1" 11/16"	49.19
P-10-6-J-GF	5/8"	3/8"	15/16"	38.10
P-10-8-J-GF	5/8"	1/2"	1"	38.86
P-10-12-J-GF	5/8"	3/4"	1" 3/8"	44.60
P-12-4-J-GF	3/4"	1/4"	1" 1/16"	39.87
P-12-6-J-GF	3/4"	3/8"	1" 1/16"	39.87
P-12-8-J-GF	3/4"	1/2"	1" 1/16"	39.87
P-12-12-J-GF	3/4"	3/4"	1" 3/8"	44.70
P-12-16-J-GF	3/4"	1"	1" 11/16"	49.29
P-16-8-J-GF	1"	1/2"	1" 3/8"	49.02
P-16-12-J-GF	1"	3/4"	1" 3/8"	49.02
P-16-16-J-GF	1"	1"	1" 11/16"	50.29



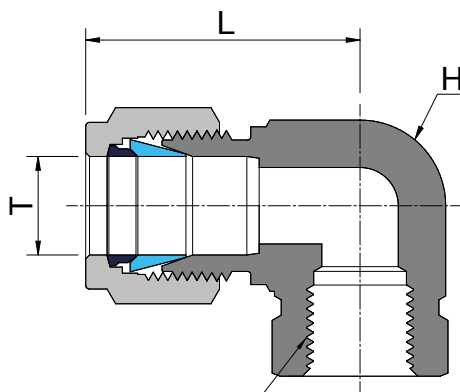
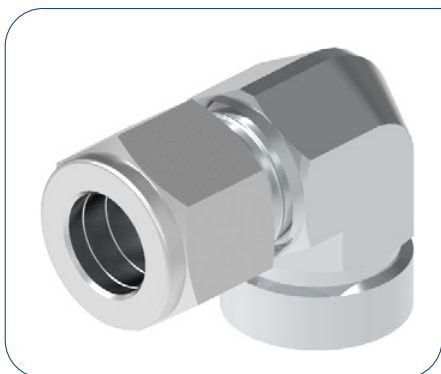
bulk

# DOUBLE FERRULE COMPRESSION FITTINGS

## FEMALE ELBOW GF (FRACTIONAL TUBING X BSPP THREAD)

[Back to Index](#)

GF SERIES



PART No.	TUBE OD, T	P BSPP	H (Hex) inch	L mm
	inch			
P-1-1-K-GF	1/16"	1/16"	7/16"	19.05
P-1-2-K-GF	1/16"	1/8"	1/2"	20.20
P-1-4-K-GF	1/16"	1/4"	11/16"	23.00
P-2-1-K-GF	1/8"	1/16"	7/16"	19.05
P-2-2-K-GF	1/8"	1/8"	1/2"	24.63
P-2-4-K-GF	1/8"	1/4"	11/16"	27.43
P-3-2-K-GF	3/16"	1/8"	1/2"	25.40
P-3-4-K-GF	3/16"	1/4"	11/16"	27.30
P-3-6-K-GF	3/16"	3/8"	13/16"	30.20
P-4-1-K-GF	1/4"	1/16"	1/2"	26.92
P-4-2-K-GF	1/4"	1/8"	1/2"	26.92
P-4-4-K-GF	1/4"	1/4"	11/16"	29.71
P-4-6-K-GF	1/4"	3/8"	13/16"	31.75
P-4-8-K-GF	1/4"	1/2"	1"	34.54
P-4-12-K-GF	1/4"	3/4"	1" 3/8	40.30
P-5-2-K-GF	5/16"	1/8"	9/16"	28.70
P-5-4-K-GF	5/16"	1/4"	11/16"	30.48
P-5-6-K-GF	5/16"	3/8"	13/16"	31.24
P-5-8-K-GF	5/16"	1/2"	1"	33.27
P-5-12-K-GF	5/16"	3/4"	1" 3/8	36.06
P-6-2-K-GF	3/8"	1/8"	5/8"	30.48
P-6-4-K-GF	3/8"	1/4"	11/16"	31.24

PART No.	TUBE OD, T	P BSPP	H (Hex) inch	L mm
	inch			
P-6-6-K-GF	3/8"	3/8"	13/16"	33.27
P-6-8-K-GF	3/8"	1/2"	1"	36.06
P-6-12-K-GF	3/8"	3/4"	1" 3/8	41.80
P-8-2-K-GF	1/2"	1/8"	13/16"	36.06
P-8-4-K-GF	1/2"	1/4"	13/16"	36.06
P-8-6-K-GF	1/2"	3/8"	13/16"	36.06
P-8-8-K-GF	1/2"	1/2"	1"	38.86
P-8-12-K-GF	1/2"	3/4"	1" 3/8	44.60
P-8-16-K-GF	1/2"	1"	1" 11/16	49.19
P-10-6-K-GF	5/8"	3/8"	15/16"	38.10
P-10-8-K-GF	5/8"	1/2"	1"	38.86
P-10-12-K-GF	5/8"	3/4"	1" 3/8	44.60
P-12-4-K-GF	3/4"	1/4"	1" 1/16	39.87
P-12-6-K-GF	3/4"	3/8"	1" 1/16	39.87
P-12-8-K-GF	3/4"	1/2"	1" 1/16	39.87
P-12-12-K-GF	3/4"	3/4"	1" 3/8	44.70
P-12-16-K-GF	3/4"	1"	1" 11/16	49.29
P-16-8-K-GF	1"	1/2"	1" 3/8	49.02
P-16-12-K-GF	1"	3/4"	1" 3/8	49.02
P-16-16-K-GF	1"	1"	1" 11/16	50.29

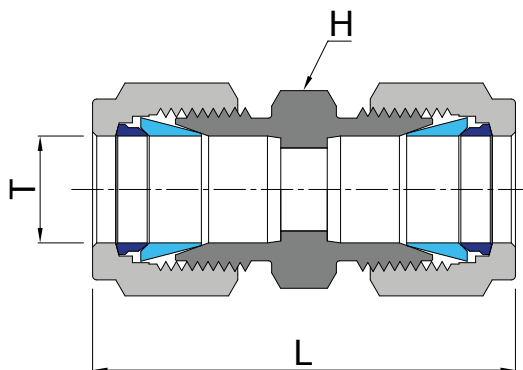
# DOUBLE FERRULE COMPRESSION FITTINGS

STRAIGHT UNION UD (METRIC TUBING)

bulk



[Back to Index](#)



UD SERIES

PART No.	TUBE OD, T	H (Hex)	L
	mm	mm	mm
M-2-UD	2	12	35.6
M-3-UD	3	12	35.3
M-4-UD	4	12	37.3
M-6-UD	6	14	41.0
M-8-UD	8	15	43.2
M-10-UD	10	18	46.2
M-12-UD	12	22	51.2
M-14-UD	14	24	52.0
M-15-UD	15	24	52.0
M-16-UD	16	24	52.0
M-18-UD	18	27	53.5
M-20-UD	20	30	55.0
M-22-UD	22	30	55.0
M-25-UD	25	35	65.0



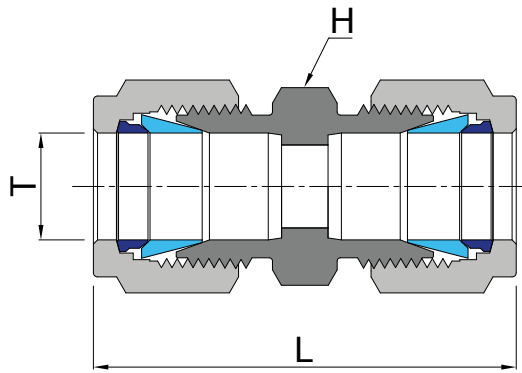
bulk

# DOUBLE FERRULE COMPRESSION FITTINGS

## STRAIGHT UNION UD (FRACTIONAL TUBING)

[Back to Index](#)

UD SERIES



PART No.	TUBE OD, T	H (Hex)	L
	inch	inch	mm
P-1-UD	1/16"	5/16"	25.15
P-2-UD	1/8"	7/16"	35.56
P-3-UD	3/16"	7/16"	37.33
P-4-UD	1/4"	1/2"	40.89
P-5-UD	5/16"	9/16"	42.92
P-6-UD	3/8"	5/8"	44.95
P-8-UD	1/2"	13/16"	51.30
P-10-UD	5/8"	15/16"	52.07
P-12-UD	3/4"	1" 1/16	53.59
P-16-UD	1"	1" 3/8	64.77

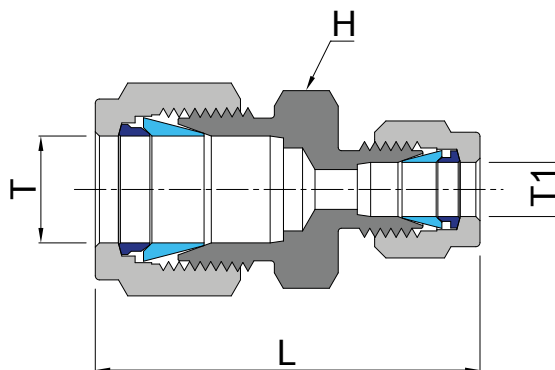
# DOUBLE FERRULE COMPRESSION FITTINGS

REDUCING UNION UR (METRIC TUBING)

bulk



[Back to Index](#)



UR SERIES

PART No.	TUBE OD, T	TUBE OD, T1	H (Hex)	L
	mm	mm	mm	mm
M-3-2-UR	3	2	12	35.3
M-6-2-UR	6	2	14	38.6
M-6-3-UR	6	3	14	38.6
M-6-4-UR	6	4	14	39.4
M-8-6-UR	8	6	15	42.3
M-10-6-UR	10	6	18	44.5
M-10-8-UR	10	8	18	45.1
M-12-6-UR	12	6	22	47.0
M-12-8-UR	12	8	22	47.8
M-12-10-UR	12	10	22	48.7
M-16-10-UR	16	10	24	49.5
M-16-12-UR	16	12	24	52.0
M-18-12-UR	18	12	27	53.5
M-25-18-UR	25	18	35	61.0
M-25-20-UR	25	20	35	62.3



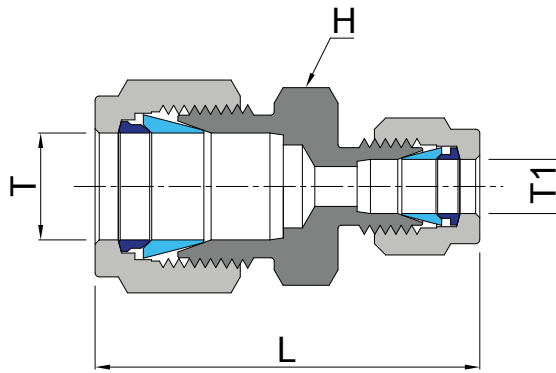
bulk

# DOUBLE FERRULE COMPRESSION FITTINGS

## REDUCING UNION UR (FRACTIONAL TUBING)

[Back to Index](#)

UR SERIES



PART No.	TUBE OD, T	TUBE OD, T1	H (Hex)	L
	inch	inch	inch	mm
P-2-1-UR	1/8"	1/16"	7/16"	30.91
P-3-1-UR	3/16"	1/16"	7/16"	32.25
P-3-2-UR	3/16"	1/8"	7/16"	36.57
P-4-1-UR	1/4"	1/16"	1/2"	34.29
P-4-2-UR	1/4"	1/8"	1/2"	38.60
P-4-3-UR	1/4"	3/16"	1/2"	39.37
P-5-2-UR	5/16"	1/8"	9/16"	39.87
P-5-4-UR	5/16"	1/4"	9/16"	42.16
P-6-1-UR	3/8"	1/16"	5/8"	36.57
P-6-2-UR	3/8"	1/8"	5/8"	40.89
P-6-4-UR	3/8"	1/4"	5/8"	43.18
P-6-5-UR	3/8"	5/16"	5/8"	44.19
P-8-2-UR	1/2"	1/8"	13/16"	45.21
P-8-4-UR	1/2"	1/4"	13/16"	46.99
P-8-6-UR	1/2"	3/8"	13/16"	48.51
P-10-6-UR	5/8"	3/8"	15/16"	49.27
P-10-8-UR	5/8"	1/2"	15/16"	52.07
P-12-4-UR	3/4"	1/4"	1" 1/6	49.27
P-12-6-UR	3/4"	3/8"	1" 1/6	50.80
P-12-8-UR	3/4"	1/2"	1" 1/6	53.59
P-12-10-UR	3/4"	5/8"	1" 1/6	53.59
P-16-8-UR	1"	1/2"	1" 3/8	63.24
P-16-12-UR	1"	3/4"	1" 3/8	62.73

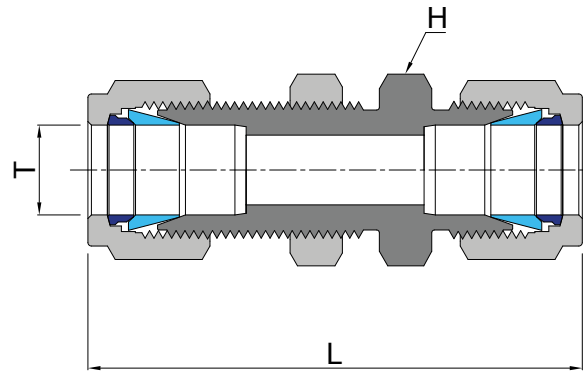
# DOUBLE FERRULE COMPRESSION FITTINGS

BULKHEAD UNION UP (METRIC TUBING)

bulk



[Back to Index](#)



UP SERIES

PART No.	TUBE OD, T	H (Hex)	L
	mm	mm	mm
M-2-UP	2	12	37.7
M-3-UP	3	14	51.3
M-4-UP	4	14	53.6
M-6-UP	6	16	57.7
M-8-UP	8	18	61.0
M-10-UP	10	22	63.7
M-12-UP	12	24	71.0
M-14-UP	14	27	72.5
M-15-UP	15	27	72.5
M-16-UP	16	27	72.5
M-18-UP	18	30	78.9
M-20-UP	20	35	84.5
M-22-UP	22	35	84.5
M-25-UP	25	41	95.9



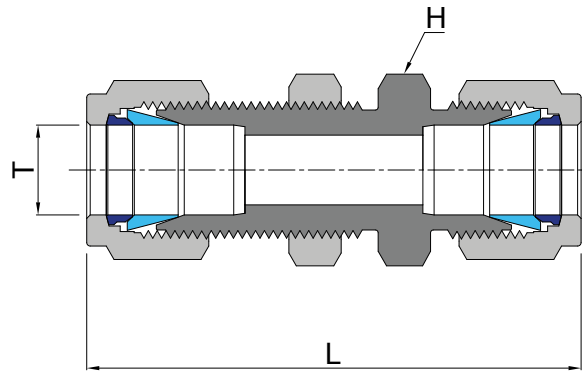
bulk

# DOUBLE FERRULE COMPRESSION FITTINGS

BULKHEAD UNION UP (FRACTIONAL TUBING)

[Back to Index](#)

UP SERIES



PART No.	TUBE OD, T	H (Hex)	L
	inch	inch	mm
P-1-UP	1/16"	5/16"	31.50
P-2-UP	1/8"	1/2"	51.30
P-3-UP	3/16"	9/16"	53.59
P-4-UP	1/4"	5/8"	57.65
P-5-UP	5/16"	11/16"	60.70
P-6-UP	3/8"	3/4"	62.23
P-8-UP	1/2"	15/16"	71.12
P-10-UP	5/8"	1" 1/16"	72.64
P-12-UP	3/4"	1" 3/16"	78.99
P-16-UP	1"	1" 5/8"	95.75

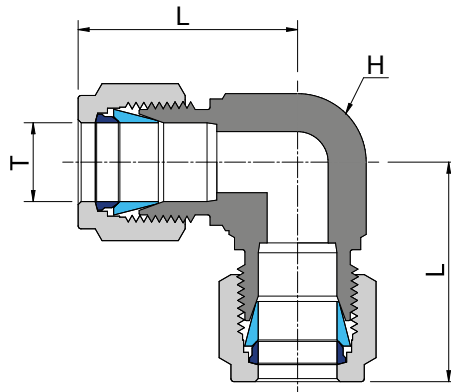
# DOUBLE FERRULE COMPRESSION FITTINGS

UNION ELBOW UG (METRIC TUBING)

bulk



[Back to Index](#)



UG SERIES

PART No.	TUBE OD, T	H (Hex)	L
	mm	mm	mm
M-2-UG	2	10	22.3
M-3-UG	3	10	22.3
M-4-UG	4	13	25.4
M-6-UG	6	13	27.0
M-8-UG	8	15	28.8
M-10-UG	10	18	31.5
M-12-UG	12	21	36.0
M-14-UG	14	26	38.8
M-15-UG	15	26	38.8
M-16-UG	16	26	38.8
M-18-UG	18	27	39.8
M-20-UG	20	35	42.6
M-22-UG	22	35	42.6
M-25-UG	25	35	49.1



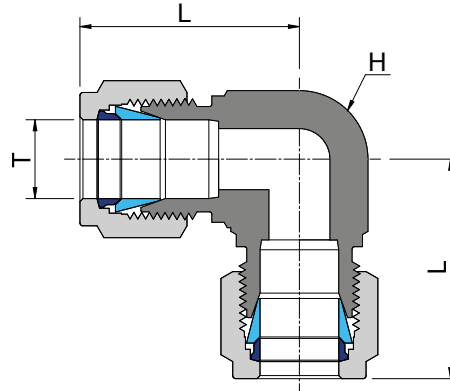
bulk

# DOUBLE FERRULE COMPRESSION FITTINGS

UNION ELBOW UG (FRACTIONAL TUBING)

[Back to Index](#)

UG SERIES



PART No.	TUBE OD, T	H (Hex)	L
	inch	inch	mm
P-1-UG	1/16"	3/8"	17.88
P-2-UG	1/8"	3/8"	22.35
P-3-UG	3/16"	1/2"	24.38
P-4-UG	1/4"	1/2"	26.92
P-5-UG	5/8"	9/16"	28.70
P-6-UG	3/8"	5/8"	30.48
P-8-UG	1/2"	13/16"	36.06
P-10-UG	5/8"	15/16"	38.80
P-12-UG	3/4"	1" 1/16	39.87
P-16-UG	1"	1" 3/8	49.02

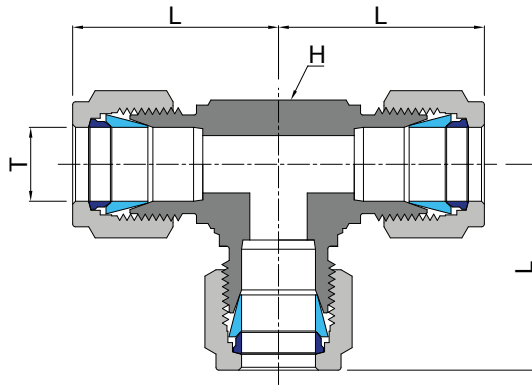
# DOUBLE FERRULE COMPRESSION FITTINGS

UNION TEE **UT** (METRIC TUBING)

bulk



[Back to Index](#)



UT SERIES

PART No.	TUBE OD, T	H (Hex)	L
	mm	mm	mm
M-2-UT	2	10	22.3
M-3-UT	3	10	22.3
M-4-UT	4	13	25.4
M-6-UT	6	13	27.0
M-8-UT	8	15	28.8
M-10-UT	10	18	31.5
M-12-UT	12	21	36.0
M-14-UT	14	26	38.8
M-15-UT	15	26	38.8
M-16-UT	16	26	38.8
M-18-UT	18	27	39.8
M-20-UT	20	35	42.6
M-22-UT	22	35	42.6
M-25-UT	25	35	49.1



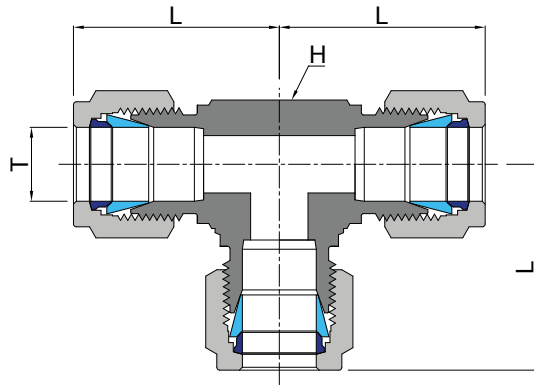
bulk

# DOUBLE FERRULE COMPRESSION FITTINGS

## UNION TEE UT (FRACTIONAL TUBING)

[Back to Index](#)

UT SERIES



PART No.	TUBE OD, T		L
	inch	H (Hex) inch	
P-1-UT	1/16"	3/8"	17.88
P-2-UT	1/8"	3/8"	22.35
P-3-UT	3/16"	1/2"	24.38
P-4-UT	1/4"	1/2"	26.92
P-5-UT	5/16"	9/16"	28.70
P-6-UT	3/8"	5/8"	30.48
P-8-UT	1/2"	13/16"	36.06
P-10-UT	5/8"	15/16"	38.80
P-12-UT	3/4"	1" 1/16"	39.87
P-16-UT	1"	1" 3/8"	49.02

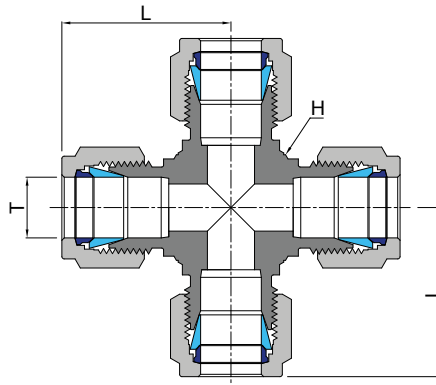
# DOUBLE FERRULE COMPRESSION FITTINGS

UNION CROSS UC (METRIC TUBING)

bulk



[Back to Index](#)



UC SERIES

PART No.	TUBE OD, T	H (Hex)	L
	mm	mm	mm
M-2-UC	2	10	22.3
M-3-UC	3	10	22.3
M-4-UC	4	13	25.4
M-6-UC	6	13	27.0
M-8-UC	8	15	28.8
M-10-UC	10	18	31.5
M-12-UC	12	21	36.0
M-14-UC	14	26	38.8
M-15-UC	15	26	38.8
M-16-UC	16	26	38.8
M-18-UC	18	27	39.8
M-20-UC	20	35	42.6
M-22-UC	22	35	42.6
M-25-UC	25	35	49.1



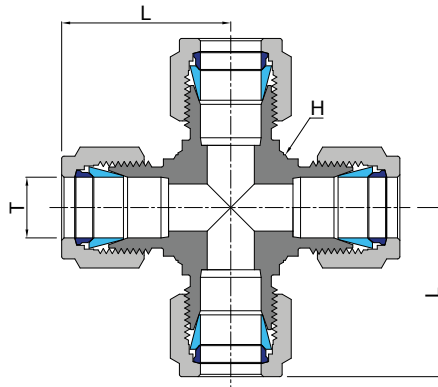
bulk

# DOUBLE FERRULE COMPRESSION FITTINGS

UNION CROSS UC (FRACTIONAL TUBING)

[Back to Index](#)

UC SERIES



PART No.	TUBE OD, T	H (Hex)	L
	inch	inch	mm
P-1-UC	1/16"	3/8"	17.88
P-2-UC	1/8"	3/8"	22.35
P-3-UC	3/16"	1/2"	24.38
P-4-UC	1/4"	1/2"	26.92
P-5-UC	5/16"	9/16"	28.70
P-6-UC	3/8"	5/8"	30.48
P-8-UC	1/2"	13/16"	36.06
P-10-UC	5/8"	15/16"	38.80
P-12-UC	3/4"	1" 1/16	39.87
P-16-UC	1"	1" 3/8	49.02

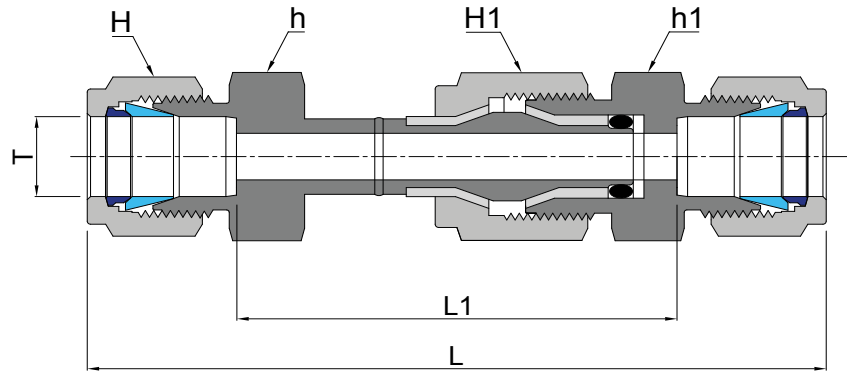
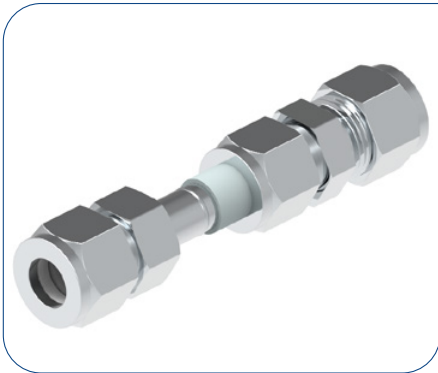
# DOUBLE FERRULE COMPRESSION FITTINGS

DIELECTRIC UNION **UD-DU** (METRIC TUBING)

bulk



[Back to Index](#)



UD-DU SERIES

PART No.	TUBE OD, T	L	L1	H	H1	h	h1
	mm			(Hex)	(Hex)	(Hex)	(Hex)
M-6-UD-DU	6	100.8	70.3	14	22	12	21
M-10-UD-DU	10	104.3	70.8	19	22	16	21
M-12-UD-DU	12	109.4	65.7	22	23	22	22



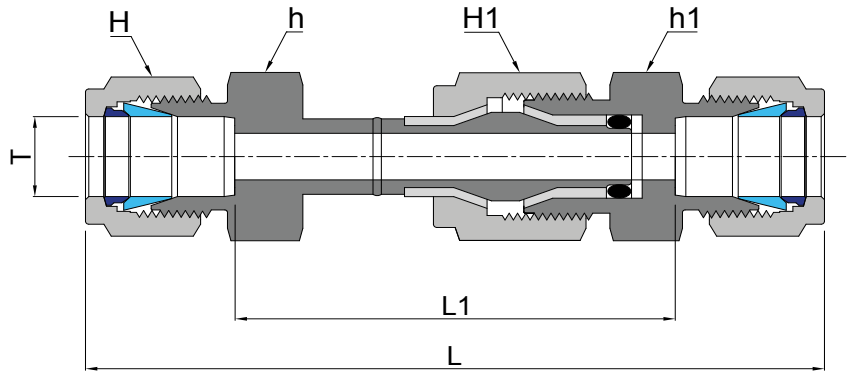
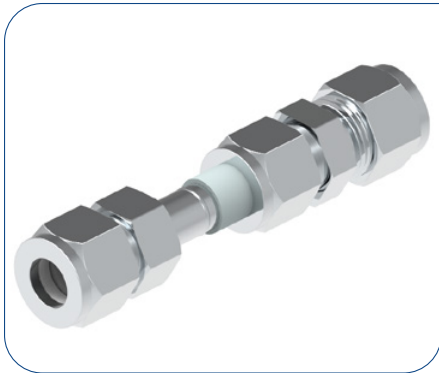
bulk

# DOUBLE FERRULE COMPRESSION FITTINGS

## DIELECTRIC UNION UD-DU (FRACTIONAL TUBING)

[Back to Index](#)

UD-DU SERIES



PART No.	TUBE OD, T	L	L1	H (Hex)	H1 (Hex)	h (Hex)	h1 (Hex)
	inch	mm	mm	inch	inch	inch	inch
P-4-UD-DU	1/4"	100.8	70.3	9/16"	7/8"	1/2"	13/16"
P-6-UD-DU	3/8"	104.3	70.8	11/16"	7/8"	5/8"	13/16"
P-8-UD-DU	1/2"	110.9	65.2	7/8"	7/8"	13/16"	7/8"

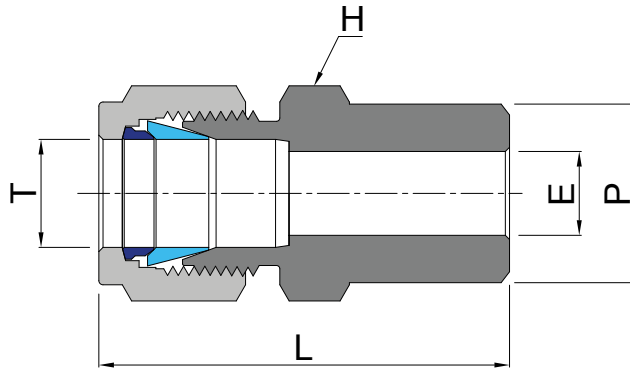
# DOUBLE FERRULE COMPRESSION FITTINGS

BUTT WELD PIPE CONNECTOR DBW (METRIC TUBING)

bulk



[Back to Index](#)



DBW SERIES

PART No.	TUBE OD, T	Pipe Weld Size, P		E	H (Hex)	L
		Nominal	O.D.			
	mm	inch	mm	mm	mm	mm
M-6-4-DBW	6	1/4"	13.72	4.8	14	37.6
M-6-6-DBW	6	3/8"	17.15	4.8	18	37.6
M-6-8-DBW	6	1/2"	21.34	4.8	22	42.4
M-8-4-DBW	8	1/4"	13.72	6.4	15	38.7
M-8-6-DBW	8	3/8"	17.15	6.4	18	38.7
M-8-8-DBW	8	1/2"	21.34	6.4	22	44.8
M-10-4-DBW	10	1/4"	13.72	7.9	18	40.9
M-10-6-DBW	10	3/8"	17.15	7.9	18	40.1
M-10-8-DBW	10	1/2"	21.34	7.9	22	45.7
M-10-12-DBW	10	3/4"	26.67	7.9	27	48.0
M-12-4-DBW	12	1/4"	13.72	9.5	22	43.4
M-12-6-DBW	12	3/8"	17.15	9.5	22	43.4
M-12-8-DBW	12	1/2"	21.34	9.5	22	48.2
M-12-12-DBW	12	3/4"	26.67	9.5	27	50.5
M-12-16-DBW	12	1"	33.40	9.5	35	53.1
M-14-6-DBW	14	3/8"	17.15	11.1	24	44.1
M-14-8-DBW	14	1/2"	21.34	11.1	24	48.9
M-14-12-DBW	14	3/4"	26.67	11.1	27	51.2
M-14-16-DBW	14	1"	33.40	11.1	35	53.8
M-16-4-DBW	16	1/4"	13.72	12.7	24	44.2
M-16-6-DBW	16	3/8"	17.15	12.7	24	44.2
M-16-8-DBW	16	1/2"	21.34	12.7	24	49.0
M-16-12-DBW	16	3/4"	26.67	12.7	27	51.3
M-16-16-DBW	16	1"	33.40	12.7	35	53.9
M-18-4-DBW	18	1/4"	13.72	15.1	27	45.7
M-18-6-DBW	18	3/8"	17.15	15.1	27	45.7
M-18-8-DBW	18	1/2"	21.34	15.1	27	50.5
M-18-12-DBW	18	3/4"	26.67	15.1	27	52.8
M-18-16-DBW	18	1"	33.40	15.1	35	55.5
M-20-8-DBW	20	1/2"	21.34	15.9	30	52.0
M-20-12-DBW	20	3/4"	26.67	15.9	30	54.3
M-20-16-DBW	20	1"	33.40	15.9	35	56.9
M-22-8-DBW	22	1/2"	21.34	18.3	30	52.0
M-22-12-DBW	22	3/4"	26.67	18.3	30	54.3
M-22-16-DBW	22	1"	33.40	18.3	35	56.9
M-25-8-DBW	25	1/2"	21.34	21.8	35	57.4
M-25-12-DBW	25	3/4"	26.67	21.8	35	59.7
M-25-16-DBW	25	1"	33.40	21.8	35	62.3

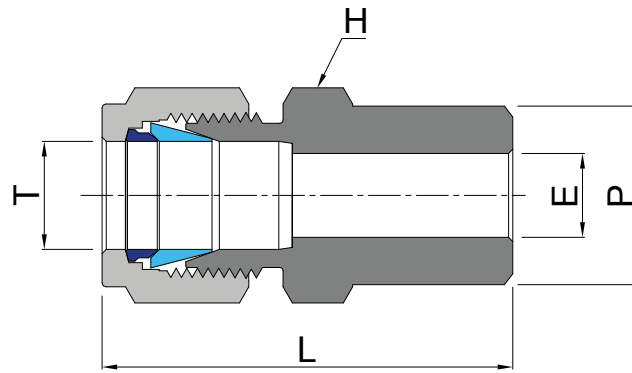


bulk

# DOUBLE FERRULE COMPRESSION FITTINGS BUTT WELD PIPE CONNECTOR DBW (FRACTIONAL TUBING)

[Back to Index](#)

DBW SERIES



PART No.	TUBE OD, T inch	Pipe Weld Size, P		E mm	H (Hex) inch	L mm
		Nominal inch	O.D. mm			
P-4-4-DBW	1/4"	1/4"	13.72	4.82	9/16"	37.84
P-4-6-DBW	1/4"	3/8"	17.15	4.82	11/16"	37.31
P-4-8-DBW	1/4"	1/2"	21.34	4.82	7/8"	42.90
P-4-12-DBW	1/4"	3/4"	26.67	4.82	1" 1/16"	42.24
P-6-4-DBW	3/8"	1/4"	13.72	7.11	5/8"	39.87
P-6-6-DBW	3/8"	3/8"	17.15	7.11	11/16"	39.87
P-6-8-DBW	3/8"	1/2"	21.34	7.11	7/8"	43.23
P-6-12-DBW	3/8"	3/4"	26.67	7.11	1" 1/16"	42.56
P-8-4-DBW	1/2"	1/4"	13.72	10.41	13/16"	43.96
P-8-6-DBW	1/2"	3/8"	17.15	10.41	13/16"	43.43
P-8-8-DBW	1/2"	1/2"	21.34	10.41	7/8"	49.02
P-8-12-DBW	1/2"	3/4"	26.67	10.41	1" 1/16"	50.54
P-8-16-DBW	1/2"	1"	33.40	10.41	1" 3/8"	55.34
P-12-4-DBW	3/4"	1/4"	13.72	15.74	1" 1/16"	46.14
P-12-6-DBW	3/4"	3/8"	17.15	15.74	1" 1/16"	45.61
P-12-8-DBW	3/4"	1/2"	21.34	15.74	1" 1/16"	51.21
P-12-12-DBW	3/4"	3/4"	26.67	15.74	1" 1/16"	50.54
P-12-16-DBW	3/4"	1"	33.40	15.74	1" 3/8"	55.34
P-16-8-DBW	1"	1/2"	21.34	22.35	1" 3/8"	58.09
P-16-12-DBW	1"	3/4"	26.67	22.35	1" 3/8"	57.43
P-16-16-DBW	1"	1"	33.40	22.35	1" 3/8"	62.23

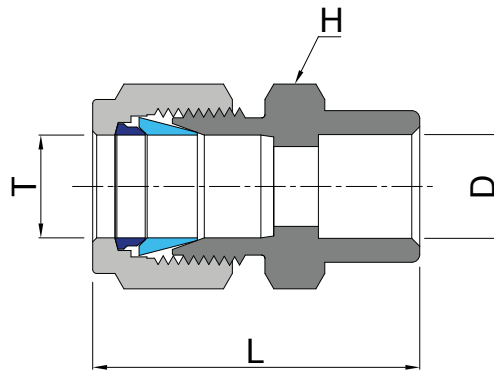
# DOUBLE FERRULE COMPRESSION FITTINGS

SOCKET WELD TUBE CONNECTOR **DSW** (METRIC TUBING)

bulk



[Back to Index](#)



DSW SERIES

PART No.	TUBE OD, T	Pipe Weld Size, P		H (Hex)	L
		Nominal	O.D.		
	mm	inch	mm	mm	mm
M-6-4-DSW	6	1/4"	6.35	14	33.6
M-6-6-DSW	6	3/8"	9.52	18	35.1
M-6-8-DSW	6	1/2"	12.70	22	35.1
M-8-4-DSW	8	1/4"	6.35	15	34.9
M-8-6-DSW	8	3/8"	9.52	18	36.4
M-8-8-DSW	8	1/2"	12.70	22	36.4
M-10-4-DSW	10	1/4"	6.35	18	37.1
M-10-6-DSW	10	3/8"	9.52	18	38.6
M-10-8-DSW	10	1/2"	12.70	22	38.6
M-10-12-DSW	10	3/4"	19.05	27	38.7
M-12-4-DSW	12	1/4"	6.35	22	39.6
M-12-6-DSW	12	3/8"	9.52	22	41.1
M-12-8-DSW	12	1/2"	12.70	22	41.1
M-12-12-DSW	12	3/4"	19.05	27	41.2
M-12-16-DSW	12	1"	25.40	35	43.4
M-14-6-DSW	14	3/8"	9.52	24	41.9
M-14-8-DSW	14	1/2"	12.70	24	41.9
M-14-12-DSW	14	3/4"	19.05	27	42.0
M-14-16-DSW	14	1"	25.40	35	44.3
M-16-4-DSW	16	1/4"	6.35	24	40.4
M-16-6-DSW	16	3/8"	9.52	24	41.9
M-16-8-DSW	16	1/2"	12.70	24	41.9
M-16-12-DSW	16	3/4"	19.05	27	42.0
M-16-16-DSW	16	1"	25.40	35	44.3
M-18-4-DSW	18	1/4"	6.35	27	41.9
M-18-6-DSW	18	3/8"	9.52	27	43.4
M-18-8-DSW	18	1/2"	12.70	27	43.4
M-18-12-DSW	18	3/4"	19.05	27	43.5
M-18-16-DSW	18	1"	25.40	35	45.8
M-20-8-DSW	20	1/2"	12.70	30	44.9
M-20-12-DSW	20	3/4"	19.05	30	45.0
M-20-16-DSW	20	1"	25.40	35	47.3
M-22-8-DSW	22	1/2"	12.70	30	44.9
M-22-12-DSW	22	3/4"	19.05	30	45.0
M-22-16-DSW	22	1"	25.40	35	47.3
M-25-8-DSW	25	1/2"	12.70	35	50.3
M-25-12-DSW	25	3/4"	19.05	35	50.4
M-25-16-DSW	25	1"	25.40	35	52.7



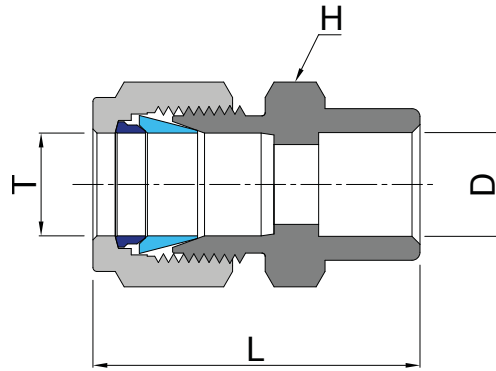
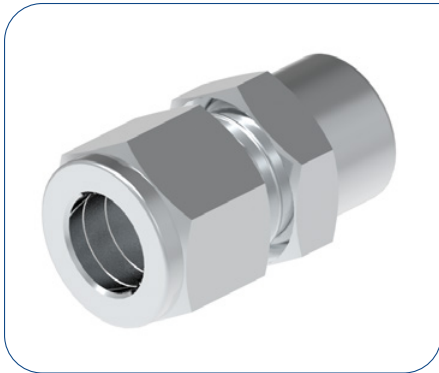
bulk

# DOUBLE FERRULE COMPRESSION FITTINGS

## SOCKET WELD TUBE CONNECTOR DSW (FRACTIONAL TUBING)

[Back to Index](#)

DSW SERIES



PART No.	TUBE OD, T inch	Pipe Weld Size, P		H (Hex) inch	L mm
		Nominal inch	O.D. mm		
P-4-4-DSW	1/4"	1/4"	6.35	1/2"	33.52
P-4-6-DSW	1/4"	3/8"	9.52	11/16"	35.03
P-4-8-DSW	1/4"	1/2"	12.70	7/8"	35.03
P-4-12-DSW	1/4"	3/4"	19.05	1" 1/16"	35.13
P-6-4-DSW	3/8"	1/4"	6.35	5/8"	36.09
P-6-6-DSW	3/8"	3/8"	9.52	5/8"	37.59
P-6-8-DSW	3/8"	1/2"	12.70	7/8"	37.59
P-6-12-DSW	3/8"	3/4"	19.05	1" 1/16"	37.69
P-8-4-DSW	1/2"	1/4"	6.35	13/16"	39.64
P-8-6-DSW	1/2"	3/8"	9.52	13/16"	41.14
P-8-8-DSW	1/2"	1/2"	12.70	13/16"	41.14
P-8-12-DSW	1/2"	3/4"	19.05	1" 1/16"	41.24
P-8-16-DSW	1/2"	1"	25.40	1" 3/8"	43.49
P-12-4-DSW	3/4"	1/4"	6.35	15/16"	41.83
P-12-6-DSW	3/4"	3/8"	9.52	15/16"	43.33
P-12-8-DSW	3/4"	1/2"	12.70	15/16"	43.33
P-12-12-DSW	3/4"	3/4"	19.05	1" 1/16"	43.43
P-12-16-DSW	3/4"	1"	25.40	1" 3/8"	45.68
P-16-8-DSW	1"	1/2"	12.70	1" 1/16"	50.21
P-16-12-DSW	1"	3/4"	19.05	1" 1/16"	50.31
P-16-16-DSW	1"	1"	25.40	1" 3/8"	52.57

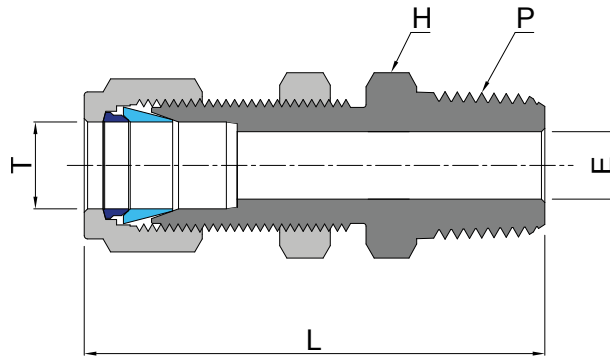
# DOUBLE FERRULE COMPRESSION FITTINGS

BULKHEAD MALE CONNECTOR **DMP** (METRIC TUBING X NPT THREAD)

**bulk**



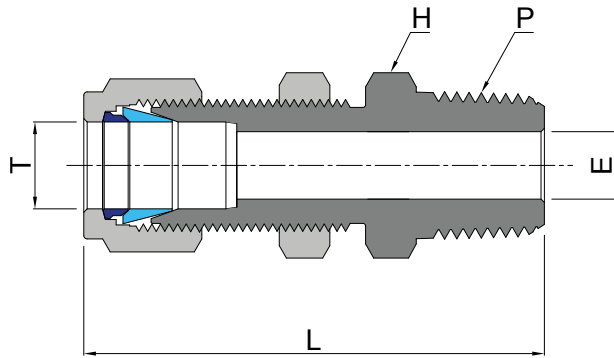
[Back to Index](#)



DMP SERIES

PART No.	TUBE OD, T	P	E Min	H (Hex)	L
	mm				
M-2-2-DMP	2	1/8"	1.7	12	32.6
M-2-4-DMP	2	1/4"	1.7	14	35.3
M-3-2-DMP	3	1/8"	2.4	12	46.5
M-3-4-DMP	3	1/4"	2.4	14	51.6
M-4-2-DMP	4	1/8"	2.4	12	47.5
M-4-4-DMP	4	1/4"	2.4	14	52.6
M-6-2-DMP	6	1/8"	4.8	16	49.6
M-6-4-DMP	6	1/4"	4.8	16	53.6
M-6-6-DMP	6	3/8"	4.8	18	53.6
M-6-8-DMP	6	1/2"	4.8	22	60.0
M-8-2-DMP	8	1/8"	6.4	18	52.0
M-8-4-DMP	8	1/4"	6.4	18	56.5
M-8-6-DMP	8	3/8"	6.4	18	57.5
M-8-8-DMP	8	1/2"	6.4	22	63.4
M-10-2-DMP	10	1/8"	7.9	22	53.8
M-10-4-DMP	10	1/4"	7.9	22	57.5
M-10-6-DMP	10	3/8"	7.9	22	57.5
M-10-8-DMP	10	1/2"	7.9	22	63.5
M-10-12-DMP	10	3/4"	7.9	27	68.0
M-12-4-DMP	12	1/4"	9.5	24	63.4
M-12-6-DMP	12	3/8"	9.5	24	63.4
M-12-8-DMP	12	1/2"	9.5	24	68.8
M-12-12-DMP	12	3/4"	9.5	27	70.3
M-12-16-DMP	12	1"	9.5	35	77.7
M-14-4-DMP	14	1/4"	12.7	27	64.6
M-14-6-DMP	14	3/8"	12.7	27	64.6
M-14-8-DMP	14	1/2"	12.7	27	69.5

PART No.	TUBE OD, T	P	E Min	H (Hex)	L
	mm				
M-14-12-DMP	14	3/4"	12.7	27	69.5
M-14-16-DMP	14	1"	12.7	35	78.4
M-15-4-DMP	15	1/4"	12.7	27	64.6
M-15-6-DMP	15	3/8"	12.7	27	64.6
M-15-8-DMP	15	1/2"	12.7	27	69.5
M-15-12-DMP	15	3/4"	12.7	27	70.9
M-15-16-DMP	15	1"	12.7	35	78.4
M-16-4-DMP	16	1/4"	12.7	27	64.6
M-16-6-DMP	16	3/8"	12.7	27	64.6
M-16-8-DMP	16	1/2"	12.7	27	69.5
M-16-12-DMP	16	3/4"	12.7	27	69.5
M-16-16-DMP	16	1"	12.7	35	78.4
M-18-4-DMP	18	1/4"	15.1	30	69.9
M-18-6-DMP	18	3/8"	15.1	30	69.9
M-18-8-DMP	18	1/2"	15.1	30	75.9
M-18-12-DMP	18	3/4"	15.1	30	75.9
M-18-16-DMP	18	1"	15.1	35	83.3
M-20-8-DMP	20	1/2"	15.9	35	81.8
M-20-12-DMP	20	3/4"	15.9	35	81.8
M-20-16-DMP	20	1"	15.9	35	87.4
M-22-8-DMP	22	1/2"	18.3	35	81.8
M-22-12-DMP	22	3/4"	18.3	35	81.8
M-22-16-DMP	22	1"	18.3	35	87.4
M-25-8-DMP	25	1/2"	21.8	41	88.4
M-25-12-DMP	25	3/4"	21.8	41	88.4
M-25-16-DMP	25	1"	21.8	41	93.2

**bulk****BULKHEAD MALE CONNECTOR DMP (FRACTIONAL TUBING X NPT THREAD)**[Back to Index](#) **DMP SERIES**

PART No.	TUBE OD, T	P NPT	E Min mm	H (Hex) mm	L mm
	mm				
P-1-1-DMP	1/16"	1/16"	1.27	5/16"	30.18
P-1-2-DMP	1/16"	1/8"	1.27	7/16"	32.51
P-1-4-DMP	1/16"	1/4"	1.27	9/16"	37.33
P-2-1-DMP	1/8"	1/16"	2.28	1/2"	45.45
P-2-2-DMP	1/8"	1/8"	2.28	1/2"	46.48
P-2-4-DMP	1/8"	1/4"	2.28	9/16"	51.30
P-3-2-DMP	3/16"	1/8"	3.04	9/16"	47.50
P-3-4-DMP	3/16"	1/4"	3.04	9/16"	52.58
P-3-6-DMP	3/16"	3/8"	3.04	11/16"	53.80
P-4-1-DMP	1/4"	1/16"	4.82	5/8"	49.46
P-4-2-DMP	1/4"	1/8"	4.82	5/8"	49.53
P-4-4-DMP	1/4"	1/4"	4.82	5/8"	53.34
P-4-6-DMP	1/4"	3/8"	4.82	3/4"	53.34
P-4-8-DMP	1/4"	1/2"	4.82	7/8"	60.45
P-4-12-DMP	1/4"	3/4"	4.82	1" 1/16"	62.92
P-5-2-DMP	5/16"	1/8"	6.35	11/16"	51.81
P-5-4-DMP	5/16"	1/4"	6.35	11/16"	56.38
P-5-6-DMP	5/16"	3/8"	6.35	11/16"	56.89
P-5-8-DMP	5/16"	1/2"	6.35	7/8"	63.38
P-5-12-DMP	5/16"	3/4"	6.35	1" 1/16"	64.77
P-6-2-DMP	3/8"	1/8"	7.11	3/4"	50.58

PART No.	TUBE OD, T	P NPT	E Min mm	H (Hex) mm	L mm
	mm				
P-6-4-DMP	3/8"	1/4"	7.11	3/4"	57.40
P-6-6-DMP	3/8"	3/8"	7.11	3/4"	57.40
P-6-8-DMP	3/8"	1/2"	7.11	7/8"	63.75
P-6-12-DMP	3/8"	3/4"	7.11	1" 1/16"	63.03
P-8-2-DMP	1/2"	1/8"	10.41	15/16"	58.68
P-8-4-DMP	1/2"	1/4"	10.41	15/16"	63.25
P-8-6-DMP	1/2"	3/8"	9.52	15/16"	63.24
P-8-8-DMP	1/2"	1/2"	10.41	15/16"	68.83
P-8-12-DMP	1/2"	3/4"	10.41	1" 1/16"	70.36
P-8-16-DMP	1/2"	1"	10.41	1" 3/8"	76.97
P-10-6-DMP	5/8"	3/8"	7.93	1" 1/16"	64.68
P-10-8-DMP	5/8"	1/2"	12.70	1" 1/16"	69.59
P-10-12-DMP	5/8"	3/4"	12.70	1" 1/16"	71.11
P-12-4-DMP	3/4"	1/4"	15.74	1" 1/16"	69.59
P-12-6-DMP	3/4"	3/8"	15.74	1" 1/16"	71.12
P-12-8-DMP	3/4"	1/2"	15.74	1" 1/16"	75.94
P-12-12-DMP	3/4"	3/4"	15.74	1" 3/16"	76.20
P-12-16-DMP	3/4"	1"	15.74	1" 3/8"	82.55
P-16-8-DMP	1"	1/2"	22.35	1" 5/8"	88.38
P-16-12-DMP	1"	3/4"	22.35	1" 5/8"	88.38
P-16-16-DMP	1"	1"	22.35	1" 5/8"	93.21

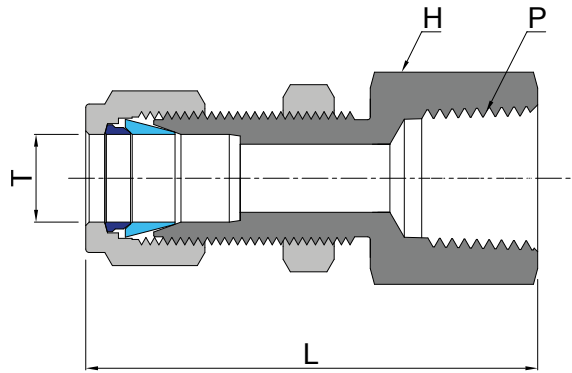
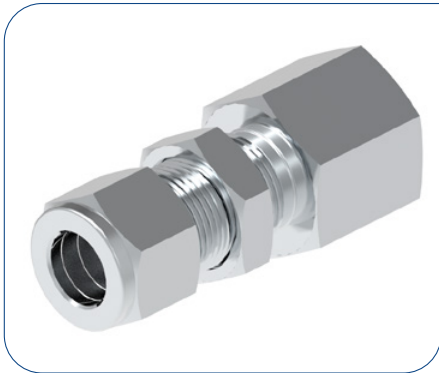
# DOUBLE FERRULE COMPRESSION FITTINGS

BULKHEAD FEMALE CONNECTOR **DFP** (METRIC TUBING X NPT THREAD)

bulk



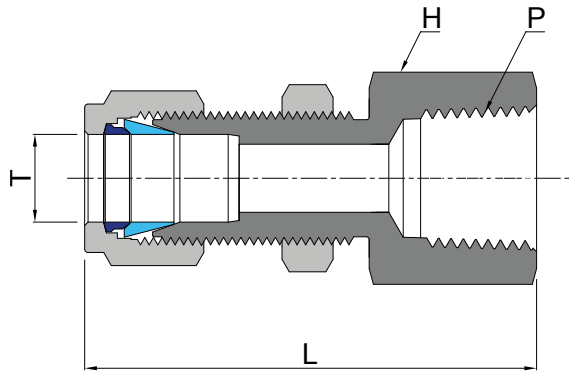
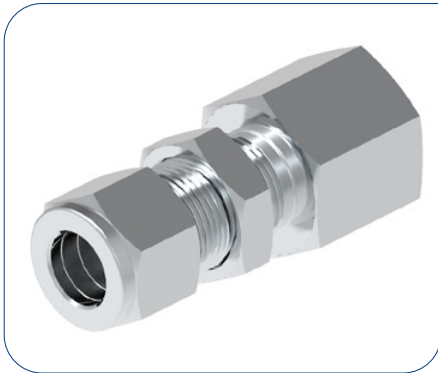
[Back to Index](#)



DFP SERIES

PART No.	TUBE OD, T	P NPT	H (Hex) mm	L mm
	mm			
M-2-2-DFP	2	1/8"	14	26.5
M-2-4-DFP	2	1/4"	19	31.3
M-3-2-DFP	3	1/8"	14	44.7
M-3-4-DFP	3	1/4"	19	49.5
M-4-2-DFP	4	1/8"	14	46.0
M-4-4-DFP	4	1/4"	19	50.6
M-6-2-DFP	6	1/8"	16	46.9
M-6-4-DFP	6	1/4"	19	51.8
M-6-6-DFP	6	3/8"	22	53.6
M-6-8-DFP	6	1/2"	27	59.2
M-8-2-DFP	8	1/8"	18	49.9
M-8-4-DFP	8	1/4"	19	53.9
M-8-6-DFP	8	3/8"	22	55.5
M-8-8-DFP	8	1/2"	27	61.1
M-10-2-DFP	10	1/8"	22	50.5
M-10-4-DFP	10	1/4"	22	55.3
M-10-6-DFP	10	3/8"	22	56.1
M-10-8-DFP	10	1/2"	27	61.7
M-10-12-DFP	10	3/4"	35	65.3
M-12-4-DFP	12	1/4"	24	60.1
M-12-6-DFP	12	3/8"	24	60.9
M-12-8-DFP	12	1/2"	27	66.5
M-12-12-DFP	12	3/4"	35	68.8
M-12-16-DFP	12	1"	41	77.6
M-14-4-DFP	14	1/4"	27	61.8
M-14-6-DFP	14	3/8"	27	62.4
M-14-8-DFP	14	1/2"	27	67.2

PART No.	TUBE OD, T	P NPT	H (Hex) mm	L mm
	mm			
M-14-12-DFP	14	3/4"	35	68.8
M-14-16-DFP	14	1"	41	73.7
M-15-4-DFP	15	1/4"	27	61.8
M-15-6-DFP	15	3/8"	27	62.4
M-15-8-DFP	15	1/2"	27	67.2
M-15-12-DFP	15	3/4"	35	68.8
M-15-16-DFP	15	1"	41	73.7
M-16-4-DFP	16	1/4"	27	61.8
M-16-6-DFP	16	3/8"	27	62.4
M-16-8-DFP	16	1/2"	27	67.4
M-16-12-DFP	16	3/4"	35	68.8
M-16-16-DFP	16	1"	41	73.7
M-18-4-DFP	18	1/4"	30	66.8
M-18-6-DFP	18	3/8"	30	68.2
M-18-8-DFP	18	1/2"	30	72.1
M-18-12-DFP	18	3/4"	35	73.7
M-18-16-DFP	18	1"	41	78.2
M-20-8-DFP	20	1/2"	35	77.4
M-20-12-DFP	20	3/4"	35	79.2
M-20-16-DFP	20	1"	41	87.4
M-22-8-DFP	22	1/2"	35	77.4
M-22-12-DFP	22	3/4"	35	79.2
M-22-16-DFP	22	1"	41	87.4
M-25-8-DFP	25	1/2"	41	83.7
M-25-12-DFP	25	3/4"	41	84.3
M-25-16-DFP	25	1"	41	93.2

**bulk****BULKHEAD FEMALE CONNECTOR DFP (FRACTIONAL TUBING X NPT THREAD)****DOUBLE FERRULE COMPRESSION FITTINGS**[Back to Index](#) **DFP SERIES**

PART No.	TUBE OD, T	P NPT	H (Hex) inch	L mm
	inch			
P-1-1-DFP	1/16"	1/16"	7/16"	29.97
P-1-2-DFP	1/16"	1/8"	9/16"	30.73
P-1-4-DFP	1/16"	1/4"	3/4"	35.47
P-2-1-DFP	1/8"	1/16"	1/2"	43.76
P-2-2-DFP	1/8"	1/8"	9/16"	44.70
P-2-4-DFP	1/8"	1/4"	3/4"	49.26
P-3-2-DFP	3/16"	1/8"	9/16"	45.97
P-3-4-DFP	3/16"	1/4"	3/4"	50.50
P-3-6-DFP	3/16"	3/8"	7/8"	52.26
P-4-1-DFP	1/4"	1/16"	5/8"	45.75
P-4-2-DFP	1/4"	1/8"	5/8"	46.99
P-4-4-DFP	1/4"	1/4"	3/4"	51.81
P-4-6-DFP	1/4"	3/8"	7/8"	54.29
P-4-8-DFP	1/4"	1/2"	1" 1/16	59.11
P-4-12-DFP	1/4"	3/4"	1" 5/16	62.95
P-5-2-DFP	5/16"	1/8"	11/16"	49.78
P-5-4-DFP	5/16"	1/4"	3/4"	54.61
P-5-6-DFP	5/16"	3/8"	7/8"	56.15
P-5-8-DFP	5/16"	1/2"	1" 1/16	61.17
P-5-12-DFP	5/16"	3/4"	1" 5/16	62.45
P-6-2-DFP	3/8"	1/8"	3/4"	48.04

PART No.	TUBE OD, T	P NPT	H (Hex) inch	L mm
	inch			
P-6-4-DFP	3/8"	1/4"	3/4"	55.11
P-6-6-DFP	3/8"	3/8"	7/8"	56.77
P-6-8-DFP	3/8"	1/2"	1" 1/16	59.22
P-6-12-DFP	3/8"	3/4"	1" 5/16	63.03
P-8-2-DFP	1/2"	1/8"	15/16"	55.68
P-8-4-DFP	1/2"	1/4"	15/16"	60.20
P-8-6-DFP	1/2"	3/8"	15/16"	61.72
P-8-8-DFP	1/2"	1/2"	1" 1/16	66.54
P-8-12-DFP	1/2"	3/4"	1" 5/16	68.08
P-8-16-DFP	1/2"	1"	1" 5/8	77.63
P-10-6-DFP	5/8"	3/8"	1" 1/16	62.48
P-10-8-DFP	5/8"	1/2"	1" 1/16	67.30
P-10-12-DFP	5/8"	3/4"	1" 5/16	68.83
P-12-4-DFP	3/4"	1/4"	1" 3/16	66.76
P-12-6-DFP	3/4"	3/8"	1" 3/16	68.26
P-12-8-DFP	3/4"	1/2"	1" 3/16	72.13
P-12-12-DFP	3/4"	3/4"	1" 5/16	73.51
P-12-16-DFP	3/4"	1"	1" 5/8	78.16
P-16-8-DFP	1"	1/2"	1" 5/8	83.74
P-16-12-DFP	1"	3/4"	1" 5/8	84.32
P-16-16-DFP	1"	1"	1" 5/8	93.23

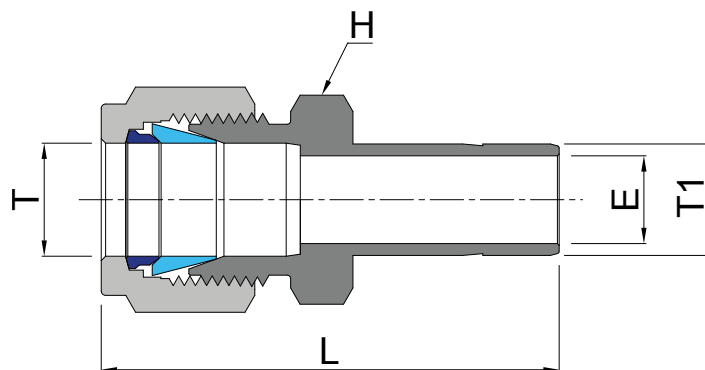
# DOUBLE FERRULE COMPRESSION FITTINGS

## REDUCER R (METRIC TUBING)

bulk



[Back to Index](#)



R SERIES

PART No.	TUBE OD, T	TUBE OD, T1	E Min	H (Hex)	L
	mm	mm			
M-2-4-R	2	4	1.7	12	35.3
M-3-2-R	3	2	1.7	12	33.7
M-3-4-R	3	4	2.4	12	35.0
M-4-2-R	4	2	2.4	12	34.8
M-6-2-R	6	2	2.4	14	36.9
M-6-4-R	6	4	2.4	14	38.2
M-6-8-R	6	8	4.8	14	39.9
M-8-2-R	8	2	4.8	15	38.2
M-8-4-R	8	4	4.8	15	39.5
M-8-6-R	8	6	4.8	15	40.2
M-10-2-R	10	2	7.9	18	40.4
M-10-4-R	10	4	7.9	18	41.7
M-10-6-R	10	6	7.9	18	42.4
M-10-8-R	10	8	7.9	18	43.4
M-10-12-R	10	12	7.9	18	49.8
M-12-4-R	12	4	9.5	22	44.2
M-12-6-R	12	6	9.5	22	44.9
M-12-8-R	12	8	9.5	22	45.9
M-12-10-R	12	10	9.0	22	47.0
M-12-16-R	12	16	9.5	22	53.8
M-14-4-R	14	4	12.7	24	45.0
M-14-6-R	14	6	12.7	24	45.7
M-14-8-R	14	8	12.7	24	46.7
M-14-12-R	14	12	12.7	24	53.1

PART No.	TUBE OD, T	TUBE OD, T1	E Min	H (Hex)	L
	mm	mm			
M-14-16-R	14	16	12.7	24	54.6
M-15-4-R	15	4	12.7	24	45.0
M-15-6-R	15	6	12.7	24	45.7
M-15-8-R	15	8	12.7	24	46.7
M-15-12-R	15	12	12.7	24	53.1
M-15-16-R	15	16	12.7	24	54.6
M-16-4-R	16	4	12.7	24	45.0
M-16-6-R	16	6	12.7	24	45.7
M-16-8-R	16	8	12.7	24	46.7
M-16-12-R	16	12	12.7	24	53.0
M-18-4-R	18	4	15.1	27	46.5
M-18-6-R	18	6	15.1	27	47.2
M-18-8-R	18	8	15.1	27	48.2
M-18-12-R	18	12	15.1	27	54.6
M-18-16-R	18	16	15.1	27	56.1
M-20-8-R	20	8	15.9	30	49.7
M-20-12-R	20	12	15.9	30	56.1
M-20-16-R	20	16	15.9	30	57.9
M-22-8-R	22	8	18.3	30	49.7
M-22-12-R	22	12	18.3	30	56.1
M-22-16-R	22	16	18.3	30	57.6
M-25-8-R	25	8	21.8	35	55.1
M-25-12-R	25	12	21.8	35	61.5
M-25-16-R	25	16	21.8	35	63.0



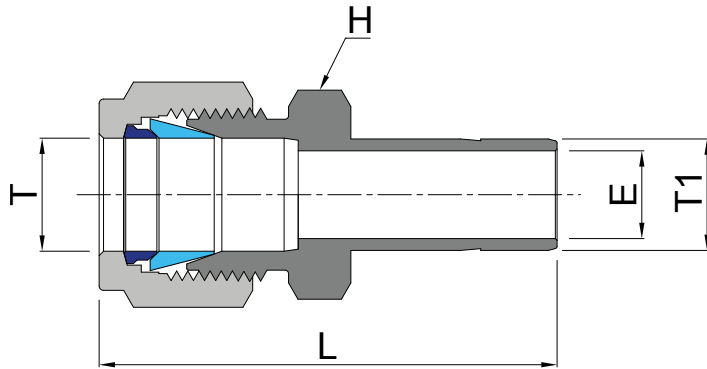
bulk

# DOUBLE FERRULE COMPRESSION FITTINGS

REDUCER R (FRACTIONAL TUBING)

[Back to Index](#)

R SERIES



PART No.	TUBE OD, T	TUBE OD, T1	E Min mm	H (Hex) inch	L mm
	inch	inch			
P-1-2-R	1/16"	1/8"	1.27	5/16"	29.21
P-1-4-R	1/16"	1/4"	1.27	5/16"	31.49
P-2-1-R	1/8"	1/16"	1.76	7/16"	28.95
P-2-4-R	1/8"	1/4"	2.28	7/16"	36.06
P-3-2-R	3/16"	1/8"	2.03	7/16"	34.79
P-3-4-R	3/16"	1/4"	3.04	7/16"	37.08
P-3-6-R	3/16"	3/8"	3.04	7/16"	38.68
P-4-1-R	1/4"	1/16"	1.76	1/2"	31.88
P-4-2-R	1/4"	1/8"	2.03	1/2"	36.83
P-4-6-R	1/4"	3/8"	4.82	1/2"	40.64
P-4-8-R	1/4"	1/2"	4.82	9/16"	46.22
P-4-12-R	1/4"	3/4"	4.82	13/16"	47.75
P-5-2-R	5/16"	1/8"	2.03	9/16"	38.06
P-5-4-R	5/16"	1/4"	3.04	9/16"	40.22
P-5-6-R	5/16"	3/8"	6.35	9/16"	41.91
P-5-8-R	5/16"	1/2"	6.35	9/16"	47.79
P-5-12-R	5/16"	3/4"	6.35	9/16"	48.96
P-6-2-R	3/8"	1/8"	2.03	5/8"	39.39

PART No.	TUBE OD, T	TUBE OD, T1	E Min mm	H (Hex) inch	L mm
	inch	inch			
P-6-4-R	3/8"	1/4"	4.82	5/8"	41.40
P-6-8-R	3/8"	1/2"	7.11	5/8"	48.51
P-6-12-R	3/8"	3/4"	7.11	13/16"	50.29
P-8-2-R	1/2"	1/8"	2.03	13/16"	42.94
P-8-4-R	1/2"	1/4"	4.82	13/16"	44.95
P-8-6-R	1/2"	3/8"	7.11	13/16"	46.73
P-8-12-R	1/2"	3/4"	10.41	13/16"	53.84
P-8-16-R	1/2"	1"	10.41	1" 1/16	60.19
P-10-6-R	5/8"	3/8"	7.11	15/16"	47.52
P-10-8-R	5/8"	1/2"	9.40	15/16"	53.10
P-10-12-R	5/8"	3/4"	12.70	15/16"	54.61
P-12-4-R	3/4"	1/4"	7.11	1" 1/16	47.29
P-12-6-R	3/4"	3/8"	7.11	1" 1/16	48.94
P-12-8-R	3/4"	1/2"	9.90	1" 1/16	54.61
P-12-16-R	3/4"	1"	15.74	1" 1/16	62.48
P-16-8-R	1"	1/2"	9.40	1" 3/8	61.40
P-16-12-R	1"	3/4"	12.70	1" 3/8	62.91

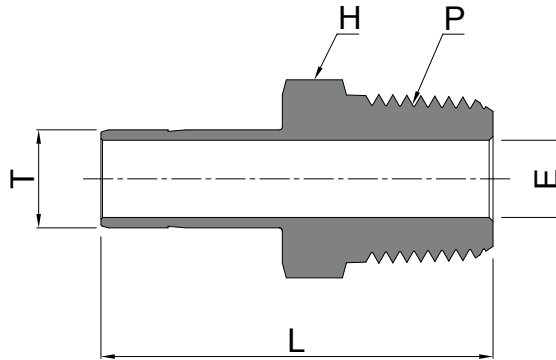
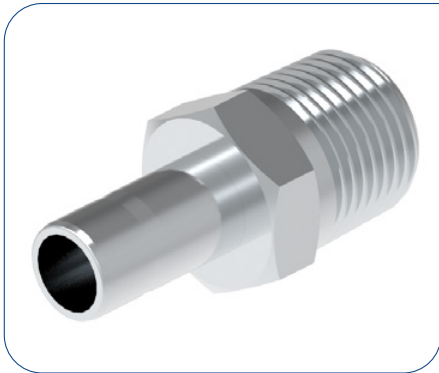
# DOUBLE FERRULE COMPRESSION FITTINGS

MALE ADAPTER AM (METRIC TUBING X NPT THREAD)

bulk



[Back to Index](#)



AM SERIES

PART No.	TUBE OD, T	P	E	H (Hex)	L
	mm				
M-2-2-AM	2	1/8"	1.0	12	24.3
M-2-4-AM	2	1/4"	1.0	14	27.0
M-3-2-AM	3	1/8"	1.8	12	29.4
M-3-4-AM	3	1/4"	1.8	14	34.5
M-4-2-AM	4	1/8"	2.6	12	30.1
M-4-4-AM	4	1/4"	2.6	14	35.2
M-6-2-AM	6	1/8"	4.6	12	32.8
M-6-4-AM	6	1/4"	4.6	14	38.1
M-6-6-AM	6	3/8"	4.6	18	38.6
M-6-8-AM	6	1/2"	4.6	22	45.0
M-8-2-AM	8	1/8"	6.3	12	34.6
M-8-4-AM	8	1/4"	6.3	14	39.1
M-8-6-AM	8	3/8"	6.3	18	39.7
M-8-8-AM	8	1/2"	6.3	22	46.0
M-10-2-AM	10	1/8"	7.7	12	36.0
M-10-4-AM	10	1/4"	7.7	14	39.9
M-10-6-AM	10	3/8"	7.7	17	40.6
M-10-8-AM	10	1/2"	7.7	22	45.2
M-10-12-AM	10	3/4"	7.7	27	50.0
M-12-4-AM	12	1/4"	8.8	14	46.5
M-12-6-AM	12	3/8"	8.8	17	46.5
M-12-8-AM	12	1/2"	8.8	22	51.8
M-12-12-AM	12	3/4"	8.8	27	53.6
M-12-16-AM	12	1"	8.8	35	61.0
M-14-4-AM	14	1/4"	10.4	14	47.2
M-14-6-AM	14	3/8"	10.4	18	47.2
M-14-8-AM	14	1/2"	10.4	22	52.1

PART No.	TUBE OD, T	P	E	H (Hex)	L
	mm				
M-14-12-AM	14	3/4"	10.4	27	52.1
M-14-16-AM	14	1"	10.4	35	61.0
M-15-4-AM	15	1/4"	11.2	18	47.2
M-15-6-AM	15	3/8"	11.2	18	47.2
M-15-8-AM	15	1/2"	11.2	22	52.1
M-15-12-AM	15	3/4"	11.2	27	53.5
M-15-16-AM	15	1"	11.2	35	61.0
M-16-4-AM	16	1/4"	12.0	18	47.2
M-16-6-AM	16	3/8"	12.0	18	47.2
M-16-8-AM	16	1/2"	12.0	22	52.1
M-16-12-AM	16	3/4"	12.0	27	52.1
M-16-16-AM	16	1"	12.0	35	61.0
M-18-4-AM	18	1/4"	13.9	18	47.6
M-18-6-AM	18	3/8"	13.9	22	47.6
M-18-8-AM	18	1/2"	13.9	22	53.2
M-18-12-AM	18	3/4"	13.9	27	53.2
M-18-16-AM	18	1"	13.9	35	61.0
M-20-8-AM	20	1/2"	15.5	22	55.4
M-20-12-AM	20	3/4"	15.5	27	55.4
M-20-16-AM	20	1"	15.5	35	61.0
M-22-8-AM	22	1/2"	17.1	22	55.4
M-22-12-AM	22	3/4"	17.1	27	55.4
M-22-16-AM	22	1"	17.1	35	61.0
M-25-8-AM	25	1/2"	19.9	27	61.2
M-25-12-AM	25	3/4"	19.9	27	61.2
M-25-16-AM	25	1"	19.9	35	66.0



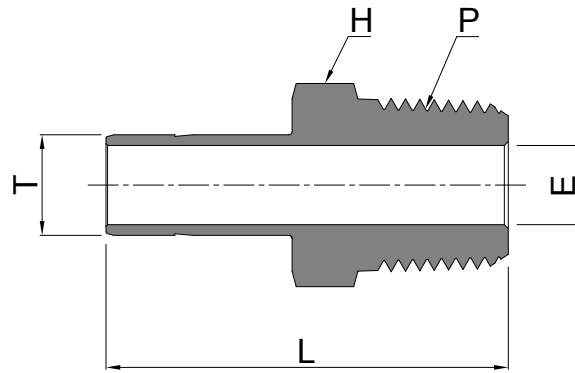
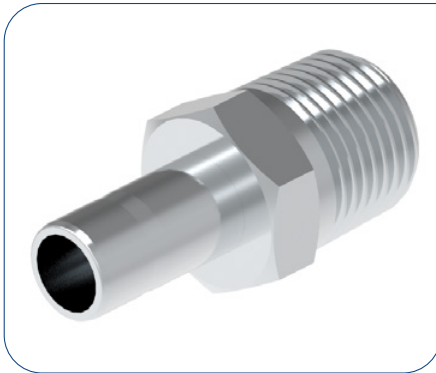
bulk

# DOUBLE FERRULE COMPRESSION FITTINGS

## MALE ADAPTER AM (METRIC TUBING X BSPT THREAD)

[Back to Index](#)

AM SERIES



PART No.	TUBE OD, T	P BSPT	E mm	H (Hex) mm	L mm
	mm				
M-2-2-J-AM	2	1/8"	1.0	12	24.3
M-2-4-J-AM	2	1/4"	1.0	14	27.0
M-3-2-J-AM	3	1/8"	1.8	12	29.4
M-3-4-J-AM	3	1/4"	1.8	14	34.5
M-4-2-J-AM	4	1/8"	2.6	12	30.1
M-4-4-J-AM	4	1/4"	2.6	14	35.2
M-6-2-J-AM	6	1/8"	4.6	12	32.8
M-6-4-J-AM	6	1/4"	4.6	14	38.1
M-6-6-J-AM	6	3/8"	4.6	18	38.6
M-6-8-J-AM	6	1/2"	4.6	22	45.0
M-8-2-J-AM	8	1/8"	6.3	12	34.6
M-8-4-J-AM	8	1/4"	6.3	14	39.1
M-8-6-J-AM	8	3/8"	6.3	18	39.7
M-8-8-J-AM	8	1/2"	6.3	22	46.0
M-10-2-J-AM	10	1/8"	7.7	12	36.0
M-10-4-J-AM	10	1/4"	7.7	14	39.9
M-10-6-J-AM	10	3/8"	7.7	17	40.6
M-10-8-J-AM	10	1/2"	7.7	22	45.2
M-10-12-J-AM	10	3/4"	7.7	27	50.0
M-12-4-J-AM	12	1/4"	8.8	14	46.5
M-12-6-J-AM	12	3/8"	8.8	17	46.5
M-12-8-J-AM	12	1/2"	8.8	22	51.8
M-12-12-J-AM	12	3/4"	8.8	27	53.6
M-12-16-J-AM	12	1"	8.8	35	61.0
M-14-4-J-AM	14	1/4"	10.4	14	47.2
M-14-6-J-AM	14	3/8"	10.4	18	47.2
M-14-8-J-AM	14	1/2"	10.4	22	52.1

PART No.	TUBE OD, T	P BSPT	E mm	H (Hex) mm	L mm
	mm				
M-14-12-J-AM	14	3/4"	10.4	27	52.1
M-14-16-J-AM	14	1"	10.4	35	61.0
M-15-4-J-AM	15	1/4"	11.2	18	47.2
M-15-6-J-AM	15	3/8"	11.2	18	47.2
M-15-8-J-AM	15	1/2"	11.2	22	52.1
M-15-12-J-AM	15	3/4"	11.2	27	53.5
M-15-16-J-AM	15	1"	11.2	35	61.0
M-16-4-J-AM	16	1/4"	12.0	18	47.2
M-16-6-J-AM	16	3/8"	12.0	18	47.2
M-16-8-J-AM	16	1/2"	12.0	22	52.1
M-16-12-J-AM	16	3/4"	12.0	27	52.1
M-16-16-J-AM	16	1"	12.0	35	61.0
M-18-4-J-AM	18	1/4"	13.9	18	47.6
M-18-6-J-AM	18	3/8"	13.9	22	47.6
M-18-8-J-AM	18	1/2"	13.9	22	53.2
M-18-12-J-AM	18	3/4"	13.9	27	53.2
M-18-16-J-AM	18	1"	13.9	35	61.0
M-20-8-J-AM	20	1/2"	15.5	22	55.4
M-20-12-J-AM	20	3/4"	15.5	27	55.4
M-20-16-J-AM	20	1"	15.5	35	61.0
M-22-8-J-AM	22	1/2"	17.1	22	55.4
M-22-12-J-AM	22	3/4"	17.1	27	55.4
M-22-16-J-AM	22	1"	17.1	35	61.0
M-25-8-J-AM	25	1/2"	19.9	27	61.2
M-25-12-J-AM	25	3/4"	19.9	27	61.2
M-25-16-J-AM	25	1"	19.9	35	66.0

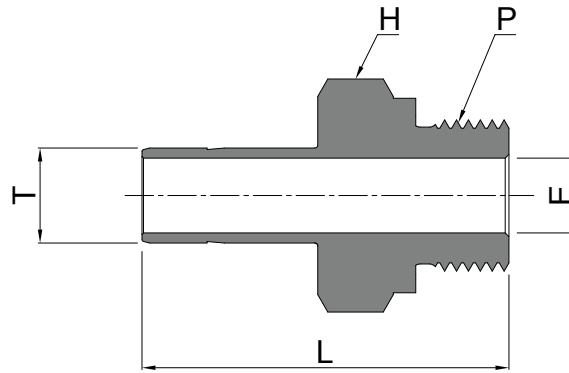
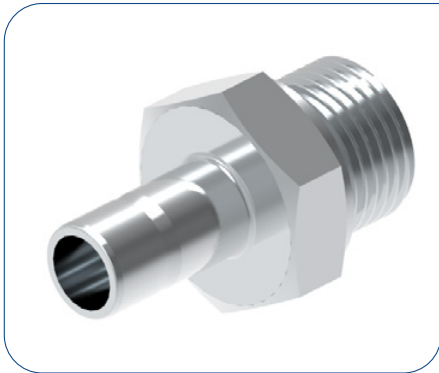
# DOUBLE FERRULE COMPRESSION FITTINGS

MALE ADAPTER AM (METRIC TUBING X BSPP THREAD)

bulk



[Home](#) [Back to Index](#)



AM SERIES

PART No.	TUBE OD, T	P BSPP	E mm	H (Hex) mm	L mm
	mm				
M-2-2-K-AM	2	1/8"	1.0	14	25.3
M-2-4-K-AM	2	1/4"	1.0	19	28.0
M-3-2-K-AM	3	1/8"	1.8	14	30.3
M-3-4-K-AM	3	1/4"	1.8	19	35.4
M-4-2-K-AM	4	1/8"	2.6	14	31.1
M-4-4-K-AM	4	1/4"	2.6	19	36.2
M-6-2-K-AM	6	1/8"	4.6	14	34.3
M-6-4-K-AM	6	1/4"	4.6	19	39.1
M-6-6-K-AM	6	3/8"	4.6	22	39.6
M-6-8-K-AM	6	1/2"	4.6	27	45.9
M-8-2-K-AM	8	1/8"	6.3	15	35.6
M-8-4-K-AM	8	1/4"	6.3	19	40.1
M-8-6-K-AM	8	3/8"	6.3	22	40.7
M-8-8-K-AM	8	1/2"	6.3	27	47.0
M-10-2-K-AM	10	1/8"	7.7	19	36.3
M-10-4-K-AM	10	1/4"	7.7	19	40.9
M-10-6-K-AM	10	3/8"	7.7	22	41.7
M-10-8-K-AM	10	1/2"	7.7	27	44.7
M-10-12-K-AM	10	3/4"	7.7	35	50.5
M-12-4-K-AM	12	1/4"	8.8	19	46.7
M-12-6-K-AM	12	3/8"	8.8	22	47.2
M-12-8-K-AM	12	1/2"	8.8	27	50.5
M-12-12-K-AM	12	3/4"	8.8	35	54.3
M-12-16-K-AM	12	1"	8.8	41	61.7
M-14-4-K-AM	14	1/4"	10.4	24	47.9
M-14-6-K-AM	14	3/8"	10.4	24	47.9
M-14-8-K-AM	14	1/2"	10.4	27	52.8

PART No.	TUBE OD, T	P BSPP	E mm	H (Hex) mm	L mm
	mm				
M-14-12-K-AM	14	3/4"	10.4	35	52.8
M-14-16-K-AM	14	1"	10.4	41	61.7
M-15-4-K-AM	15	1/4"	11.2	24	47.9
M-15-6-K-AM	15	3/8"	11.2	24	47.9
M-15-8-K-AM	15	1/2"	11.2	27	52.8
M-15-12-K-AM	15	3/4"	11.2	35	54.2
M-15-16-K-AM	15	1"	11.2	41	61.7
M-16-4-K-AM	16	1/4"	12.0	24	47.9
M-16-6-K-AM	16	3/8"	12.0	24	47.9
M-16-8-K-AM	16	1/2"	12.0	27	52.8
M-16-12-K-AM	16	3/4"	12.0	35	52.8
M-16-16-K-AM	16	1"	12.0	41	61.7
M-18-4-K-AM	18	1/4"	13.9	27	49.6
M-18-6-K-AM	18	3/8"	13.9	27	49.6
M-18-8-K-AM	18	1/2"	13.9	27	52.1
M-18-12-K-AM	18	3/4"	13.9	35	56.1
M-18-16-K-AM	18	1"	13.9	41	63.0
M-20-8-K-AM	20	1/2"	15.5	30	57.4
M-20-12-K-AM	20	3/4"	15.5	35	57.4
M-20-16-K-AM	20	1"	15.5	41	63.0
M-22-8-K-AM	22	1/2"	17.1	30	57.4
M-22-12-K-AM	22	3/4"	17.1	35	57.4
M-22-16-K-AM	22	1"	17.1	41	63.0
M-25-8-K-AM	25	1/2"	19.9	35	62.3
M-25-12-K-AM	25	3/4"	19.9	35	62.3
M-25-16-K-AM	25	1"	19.9	41	67.1

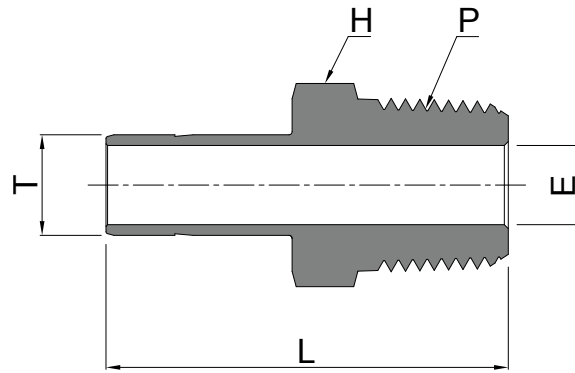
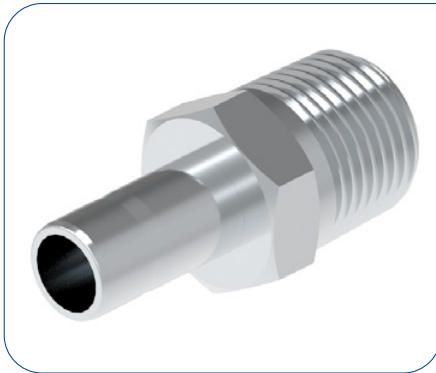


bulk

# DOUBLE FERRULE COMPRESSION FITTINGS MALE ADAPTER AM (FRACTIONAL TUBING X NPT THREAD)

[Back to Index](#)

AM SERIES



PART No.	TUBE OD, T	P NPT	E mm	H (Hex) inch	L mm
	inch				
P-1-1-AM	1/16"	1/16"	0.76	5/16"	21.62
P-1-2-AM	1/16"	1/8"	0.76	7/16"	23.95
P-1-4-AM	1/16"	1/4"	0.76	9/16"	28.77
P-2-1-AM	1/8"	1/16"	1.77	7/16"	28.73
P-2-2-AM	1/8"	1/8"	1.77	7/16"	29.50
P-2-4-AM	1/8"	1/4"	1.77	9/16"	34.80
P-3-2-AM	3/16"	1/8"	3.04	7/16"	30.22
P-3-4-AM	3/16"	1/4"	3.04	9/16"	35.56
P-3-6-AM	3/16"	3/8"	3.04	11/16"	36.78
P-4-1-AM	1/4"	1/16"	4.57	7/16"	31.80
P-4-2-AM	1/4"	1/8"	4.57	7/16"	31.80
P-4-4-AM	1/4"	1/4"	4.57	9/16"	37.08
P-4-6-AM	1/4"	3/8"	4.57	11/16"	37.84
P-4-8-AM	1/4"	1/2"	4.57	7/8"	43.43
P-4-12-AM	1/4"	3/4"	4.57	1" 1/16"	45.26
P-5-2-AM	5/16"	1/8"	6.35	7/16"	32.76
P-5-4-AM	5/16"	1/4"	6.35	9/16"	38.10
P-5-6-AM	5/16"	3/8"	6.35	11/16"	37.84
P-5-8-AM	5/16"	1/2"	6.35	7/8"	44.33
P-5-12-AM	5/16"	3/4"	6.35	1" 1/16"	45.72
P-6-2-AM	3/8"	1/8"	7.11	7/16"	33.50

PART No.	TUBE OD, T	P NPT	E mm	H (Hex) inch	L mm
	inch				
P-6-4-AM	3/8"	1/4"	7.11	9/16"	38.90
P-6-6-AM	3/8"	3/8"	7.11	11/16"	39.60
P-6-8-AM	3/8"	1/2"	7.11	7/8"	45.20
P-6-12-AM	3/8"	3/4"	7.11	1" 1/16"	46.73
P-8-2-AM	1/2"	1/8"	9.90	9/16"	40.34
P-8-4-AM	1/2"	1/4"	9.90	9/16"	44.50
P-8-6-AM	1/2"	3/8"	9.90	11/16"	45.20
P-8-8-AM	1/2"	1/2"	9.90	7/8"	50.50
P-8-12-AM	1/2"	3/4"	9.90	1" 1/16"	52.02
P-8-16-AM	1/2"	1"	9.90	1" 3/8"	58.63
P-10-6-AM	5/8"	3/8"	12.70	11/16"	47.40
P-10-8-AM	5/8"	1/2"	12.70	7/8"	52.30
P-10-12-AM	5/8"	3/4"	12.70	1" 1/16"	52.30
P-12-4-AM	3/4"	1/4"	14.98	7/8"	44.95
P-12-6-AM	3/4"	3/8"	14.98	7/8"	46.48
P-12-8-AM	3/4"	1/2"	14.98	7/8"	52.30
P-12-12-AM	3/4"	3/4"	14.98	1" 1/16"	52.30
P-12-16-AM	3/4"	1"	14.98	1" 3/8"	57.91
P-16-8-AM	1"	1/2"	20.06	1" 1/16"	58.70
P-16-12-AM	1"	3/4"	20.06	1" 1/16"	58.70
P-16-16-AM	1"	1"	20.06	1" 3/8"	66.00

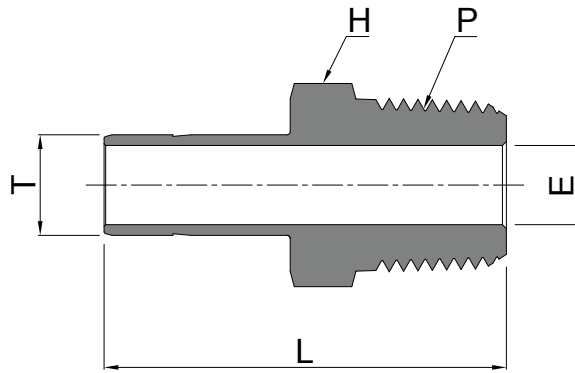
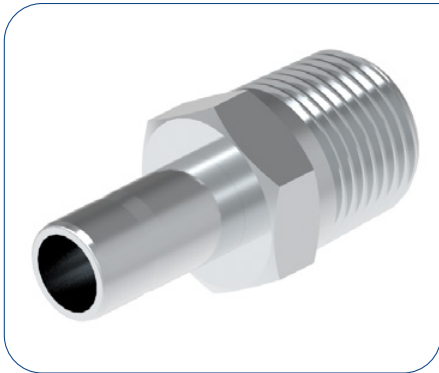
# DOUBLE FERRULE COMPRESSION FITTINGS

MALE ADAPTER AM (FRACTIONAL TUBING X BSPT THREAD)

bulk



[Back to Index](#)



AM SERIES

PART No.	TUBE OD, T	P BSPT	E mm	H (Hex) inch	L mm
	inch				
P-1-1-J-AM	1/16"	1/16"	0.76	5/16"	21.62
P-1-2-J-AM	1/16"	1/8"	0.76	7/16"	23.95
P-1-4-J-AM	1/16"	1/4"	0.76	9/16"	28.77
P-2-1-J-AM	1/8"	1/16"	1.77	7/16"	28.73
P-2-2-J-AM	1/8"	1/8"	1.77	7/16"	29.50
P-2-4-J-AM	1/8"	1/4"	1.77	9/16"	34.80
P-3-2-J-AM	3/16"	1/8"	3.04	7/16"	30.22
P-3-4-J-AM	3/16"	1/4"	3.04	9/16"	35.56
P-3-6-J-AM	3/16"	3/8"	3.04	11/16"	36.78
P-4-1-J-AM	1/4"	1/16"	4.57	7/16"	31.80
P-4-2-J-AM	1/4"	1/8"	4.57	7/16"	31.80
P-4-4-J-AM	1/4"	1/4"	4.57	9/16"	37.08
P-4-6-J-AM	1/4"	3/8"	4.57	11/16"	37.84
P-4-8-J-AM	1/4"	1/2"	4.57	7/8"	43.43
P-4-12-J-AM	1/4"	3/4"	4.57	1" 1/16"	45.26
P-5-2-J-AM	5/16"	1/8"	6.35	7/16"	32.76
P-5-4-J-AM	5/16"	1/4"	6.35	9/16"	38.10
P-5-6-J-AM	5/16"	3/8"	6.35	11/16"	37.84
P-5-8-J-AM	5/16"	1/2"	6.35	7/8"	44.33
P-5-12-J-AM	5/16"	3/4"	6.35	1" 1/16"	45.72
P-6-2-J-AM	3/8"	1/8"	7.11	7/16"	33.50

PART No.	TUBE OD, T	P BSPT	E mm	H (Hex) inch	L mm
	inch				
P-6-4-J-AM	3/8"	1/4"	7.11	9/16"	38.90
P-6-6-J-AM	3/8"	3/8"	7.11	11/16"	39.60
P-6-8-J-AM	3/8"	1/2"	7.11	7/8"	45.20
P-6-12-J-AM	3/8"	3/4"	7.11	1" 1/16"	46.73
P-8-2-J-AM	1/2"	1/8"	9.90	9/16"	40.34
P-8-4-J-AM	1/2"	1/4"	9.90	9/16"	44.50
P-8-6-J-AM	1/2"	3/8"	9.90	11/16"	45.20
P-8-8-J-AM	1/2"	1/2"	9.90	7/8"	50.50
P-8-12-J-AM	1/2"	3/4"	9.90	1" 1/16"	52.02
P-8-16-J-AM	1/2"	1"	9.90	1" 3/8"	58.63
P-10-6-J-AM	5/8"	3/8"	12.70	11/16"	47.40
P-10-8-J-AM	5/8"	1/2"	12.70	7/8"	52.30
P-10-12-J-AM	5/8"	3/4"	12.70	1" 1/16"	52.30
P-12-4-J-AM	3/4"	1/4"	14.98	7/8"	44.95
P-12-6-J-AM	3/4"	3/8"	14.98	7/8"	46.48
P-12-8-J-AM	3/4"	1/2"	14.98	7/8"	52.30
P-12-12-J-AM	3/4"	3/4"	14.98	1" 1/16"	52.30
P-12-16-J-AM	3/4"	1"	14.98	1" 3/8"	57.91
P-16-8-J-AM	1"	1/2"	20.06	1" 1/16"	58.70
P-16-12-J-AM	1"	3/4"	20.06	1" 1/16"	58.70
P-16-16-J-AM	1"	1"	20.06	1" 3/8"	66.00



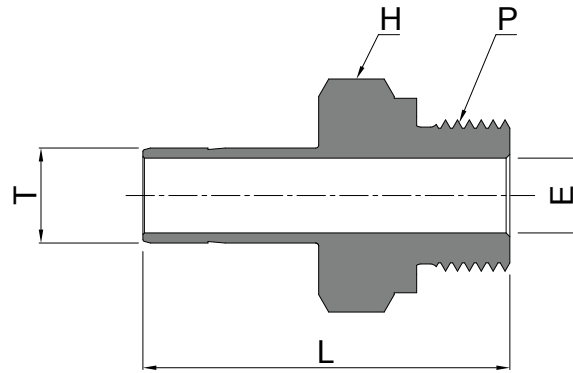
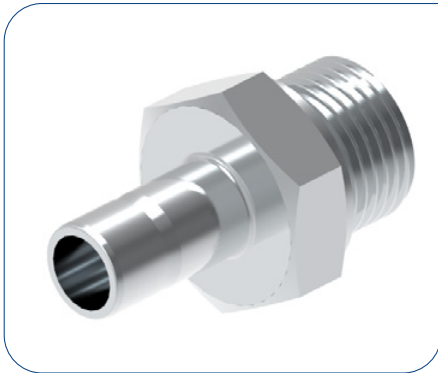
bulk

# DOUBLE FERRULE COMPRESSION FITTINGS

## MALE ADAPTER AM (FRACTIONAL TUBING X BSPP THREAD)

[Back to Index](#)

AM SERIES



PART No.	TUBE OD, T	P BSPP	E mm	H (Hex) inch	L mm
	inch				
P-1-1-K-AM	1/16"	1/16"	0.76	7/16"	17.67
P-1-2-K-AM	1/16"	1/8"	0.76	9/16"	24.27
P-1-4-K-AM	1/16"	1/4"	0.76	3/4"	29.61
P-2-1-K-AM	1/8"	1/16"	1.77	7/16"	24.12
P-2-2-K-AM	1/8"	1/8"	1.77	9/16"	30.47
P-2-4-K-AM	1/8"	1/4"	1.77	3/4"	35.80
P-3-2-K-AM	3/16"	1/8"	3.04	9/16"	31.50
P-3-4-K-AM	3/16"	1/4"	3.04	3/4"	36.84
P-3-6-K-AM	3/16"	3/8"	3.04	7/8"	37.74
P-4-1-K-AM	1/4"	1/16"	4.57	1/2"	27.47
P-4-2-K-AM	1/4"	1/8"	4.57	9/16"	33.27
P-4-4-K-AM	1/4"	1/4"	4.57	3/4"	38.10
P-4-6-K-AM	1/4"	3/8"	4.57	7/8"	39.86
P-4-8-K-AM	1/4"	1/2"	4.57	1" 1/16	45.70
P-4-12-K-AM	1/4"	3/4"	4.57	1" 3/8	49.77
P-5-2-K-AM	5/16"	1/8"	6.35	9/16"	33.77
P-5-4-K-AM	5/16"	1/4"	6.35	3/4"	39.11
P-5-6-K-AM	5/16"	3/8"	6.35	7/8"	40.38
P-5-8-K-AM	5/16"	1/2"	6.35	1" 1/16	46.22
P-5-12-K-AM	5/16"	3/4"	6.35	1" 3/8	50.28
P-6-2-K-AM	3/8"	1/8"	7.11	5/8"	34.45

PART No.	TUBE OD, T	P BSPP	E mm	H (Hex) inch	L mm
	inch				
P-6-4-K-AM	3/8"	1/4"	7.11	3/4"	39.80
P-6-6-K-AM	3/8"	3/8"	7.11	7/8"	40.64
P-6-8-K-AM	3/8"	1/2"	7.11	1" 1/16	46.91
P-6-12-K-AM	3/8"	3/4"	7.11	1" 3/8	50.97
P-8-2-K-AM	1/2"	1/8"	9.90	13/16"	41.62
P-8-4-K-AM	1/2"	1/4"	9.90	13/16"	45.50
P-8-6-K-AM	1/2"	3/8"	9.90	7/8"	46.20
P-8-8-K-AM	1/2"	1/2"	9.90	1" 1/16	49.30
P-8-12-K-AM	1/2"	3/4"	9.90	1" 3/8	55.85
P-8-16-K-AM	1/2"	1"	9.90	1" 3/8	55.85
P-10-6-K-AM	5/8"	3/8"	12.70	15/16"	46.39
P-10-8-K-AM	5/8"	1/2"	12.70	1" 1/16	52.23
P-10-12-K-AM	5/8"	3/4"	12.70	1" 3/8	56.04
P-12-4-K-AM	3/4"	1/4"	14.98	1" 1/16	48.01
P-12-6-K-AM	3/4"	3/8"	14.98	1" 1/16	48.01
P-12-8-K-AM	3/4"	1/2"	14.98	1" 1/16	51.05
P-12-12-K-AM	3/4"	3/4"	14.98	1" 3/8	54.86
P-12-16-K-AM	3/4"	1"	14.98	1" 5/8	57.40
P-16-8-K-AM	1"	1/2"	20.06	1" 3/8	60.44
P-16-12-K-AM	1"	3/4"	20.06	1" 3/8	60.44
P-16-16-K-AM	1"	1"	20.06	1" 5/8	64.50

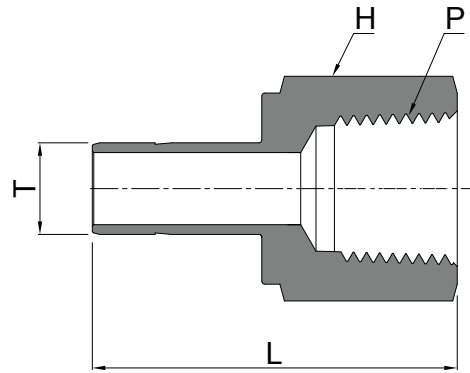
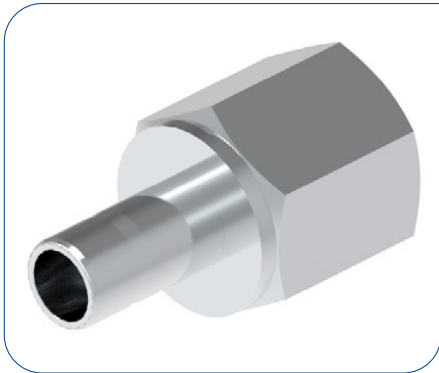
# DOUBLE FERRULE COMPRESSION FITTINGS

FEMALE ADAPTER AF (METRIC TUBING X NPT THREAD)

bulk



[Back to Index](#)



AF SERIES

PART No.	TUBE OD, T	P NPT	H (Hex) mm	L mm
	mm			
M-2-2-AF	2	1/8"	14	27.5
M-2-4-AF	2	1/4"	19	32.4
M-3-2-AF	3	1/8"	14	31.8
M-3-4-AF	3	1/4"	19	36.7
M-4-2-AF	4	1/8"	14	31.9
M-4-4-AF	4	1/4"	19	36.6
M-6-2-AF	6	1/8"	14	32.5
M-6-4-AF	6	1/4"	19	37.1
M-6-6-AF	6	3/8"	22	40.7
M-6-8-AF	6	1/2"	27	47.1
M-8-2-AF	8	1/8"	14	34.3
M-8-4-AF	8	1/4"	19	37.6
M-8-6-AF	8	3/8"	22	40.0
M-8-8-AF	8	1/2"	27	46.4
M-10-2-AF	10	1/8"	14	34.4
M-10-4-AF	10	1/4"	19	38.1
M-10-6-AF	10	3/8"	22	40.1
M-10-8-AF	10	1/2"	27	46.5
M-10-12-AF	10	3/4"	35	57.1
M-12-4-AF	12	1/4"	19	43.7
M-12-6-AF	12	3/8"	22	46.0
M-12-8-AF	12	1/2"	27	52.3
M-12-12-AF	12	3/4"	35	55.8
M-12-16-AF	12	1"	41	63.7
M-14-4-AF	14	1/4"	19	44.5
M-14-6-AF	14	3/8"	22	45.6
M-14-8-AF	14	1/2"	27	51.9

PART No.	TUBE OD, T	P NPT	H (Hex) mm	L mm
	mm			
M-14-12-AF	14	3/4"	35	55.1
M-14-16-AF	14	1"	41	59.1
M-15-4-AF	15	1/4"	19	44.5
M-15-6-AF	15	3/8"	22	45.6
M-15-8-AF	15	1/2"	27	51.9
M-15-12-AF	15	3/4"	35	55.1
M-15-16-AF	15	1"	41	59.1
M-16-4-AF	16	1/4"	19	44.5
M-16-6-AF	16	3/8"	22	45.6
M-16-8-AF	16	1/2"	27	52.1
M-16-12-AF	16	3/4"	35	55.1
M-16-16-AF	16	1"	41	59.1
M-18-4-AF	18	1/4"	22	44.6
M-18-6-AF	18	3/8"	22	46.5
M-18-8-AF	18	1/2"	27	53.0
M-18-12-AF	18	3/4"	35	55.1
M-18-16-AF	18	1"	41	58.7
M-20-8-AF	20	1/2"	27	54.2
M-20-12-AF	20	3/4"	35	56.5
M-20-16-AF	20	1"	41	63.8
M-22-8-AF	22	1/2"	27	54.2
M-22-12-AF	22	3/4"	35	56.5
M-22-16-AF	22	1"	41	63.8
M-25-8-AF	25	1/2"	27	54.5
M-25-12-AF	25	3/4"	35	60.7
M-25-16-AF	25	1"	41	64.2



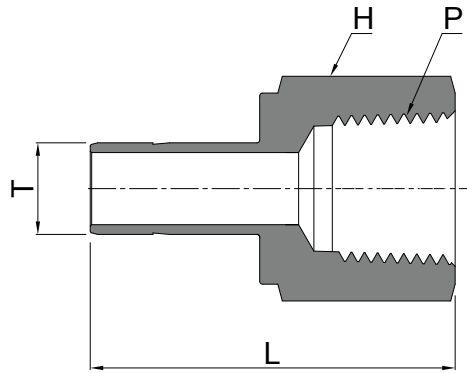
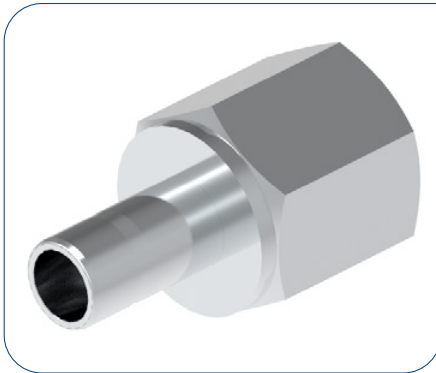
bulk

# DOUBLE FERRULE COMPRESSION FITTINGS

## FEMALE ADAPTER AF (METRIC TUBING X BSPT THREAD)

[Back to Index](#)

AF SERIES



PART No.	TUBE OD, T	P	H (Hex)	L
	mm			
M-2-2-J-AF	2	1/8"	14	27.5
M-2-4-J-AF	2	1/4"	19	32.4
M-3-2-J-AF	3	1/8"	14	31.8
M-3-4-J-AF	3	1/4"	19	36.7
M-4-2-J-AF	4	1/8"	14	31.9
M-4-4-J-AF	4	1/4"	19	36.6
M-6-2-J-AF	6	1/8"	14	32.5
M-6-4-J-AF	6	1/4"	19	37.1
M-6-6-J-AF	6	3/8"	22	40.7
M-6-8-J-AF	6	1/2"	27	47.1
M-8-2-J-AF	8	1/8"	14	34.3
M-8-4-J-AF	8	1/4"	19	37.6
M-8-6-J-AF	8	3/8"	22	40.0
M-8-8-J-AF	8	1/2"	27	46.4
M-10-2-J-AF	10	1/8"	14	34.4
M-10-4-J-AF	10	1/4"	19	38.1
M-10-6-J-AF	10	3/8"	22	40.1
M-10-8-J-AF	10	1/2"	27	46.5
M-10-12-J-AF	10	3/4"	35	57.1
M-12-4-J-AF	12	1/4"	19	43.7
M-12-6-J-AF	12	3/8"	22	46.0
M-12-8-J-AF	12	1/2"	27	52.3
M-12-12-J-AF	12	3/4"	35	55.8
M-12-16-J-AF	12	1"	41	63.7
M-14-4-J-AF	14	1/4"	19	44.5
M-14-6-J-AF	14	3/8"	22	45.6
M-14-8-J-AF	14	1/2"	27	51.9

PART No.	TUBE OD, T	P	H (Hex)	L
	mm			
M-14-12-J-AF	14	3/4"	35	55.1
M-14-16-J-AF	14	1"	41	59.1
M-15-4-J-AF	15	1/4"	19	44.5
M-15-6-J-AF	15	3/8"	22	45.6
M-15-8-J-AF	15	1/2"	27	51.9
M-15-12-J-AF	15	3/4"	35	55.1
M-15-16-J-AF	15	1"	41	59.1
M-16-4-J-AF	16	1/4"	19	44.5
M-16-6-J-AF	16	3/8"	22	45.6
M-16-8-J-AF	16	1/2"	27	52.1
M-16-12-J-AF	16	3/4"	35	55.1
M-16-16-J-AF	16	1"	41	59.1
M-18-4-J-AF	18	1/4"	22	44.6
M-18-6-J-AF	18	3/8"	22	46.5
M-18-8-J-AF	18	1/2"	27	53.0
M-18-12-J-AF	18	3/4"	35	55.1
M-18-16-J-AF	18	1"	41	58.7
M-20-8-J-AF	20	1/2"	27	54.2
M-20-12-J-AF	20	3/4"	35	56.5
M-20-16-J-AF	20	1"	41	63.8
M-22-8-J-AF	22	1/2"	27	54.2
M-22-12-J-AF	22	3/4"	35	56.5
M-22-16-J-AF	22	1"	41	63.8
M-25-8-J-AF	25	1/2"	27	54.5
M-25-12-J-AF	25	3/4"	35	60.7
M-25-16-J-AF	25	1"	41	64.2

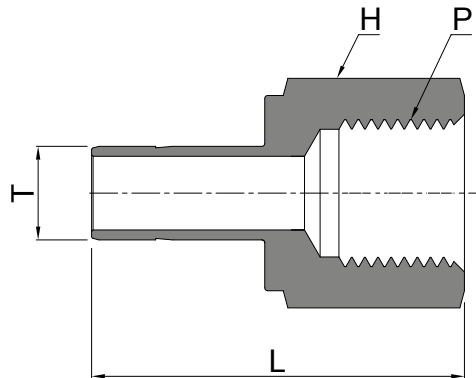
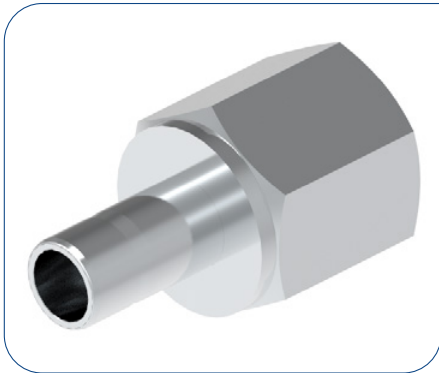
# DOUBLE FERRULE COMPRESSION FITTINGS

FEMALE ADAPTER AF (METRIC TUBING X BSPP THREAD)

bulk



[Back to Index](#)



AF SERIES

PART No.	TUBE OD, T	P BSPP	H (Hex) mm	L mm
	mm			
M-2-2-K-AF	2	1/8"	14	27.5
M-2-4-K-AF	2	1/4"	19	32.4
M-3-2-K-AF	3	1/8"	14	31.8
M-3-4-K-AF	3	1/4"	19	36.7
M-4-2-K-AF	4	1/8"	14	31.9
M-4-4-K-AF	4	1/4"	19	36.6
M-6-2-K-AF	6	1/8"	14	32.5
M-6-4-K-AF	6	1/4"	19	37.8
M-6-6-K-AF	6	3/8"	22	40.7
M-6-8-K-AF	6	1/2"	27	47.1
M-8-2-K-AF	8	1/8"	14	34.3
M-8-4-K-AF	8	1/4"	19	37.6
M-8-6-K-AF	8	3/8"	22	40.0
M-8-8-K-AF	8	1/2"	27	46.4
M-10-2-K-AF	10	1/8"	14	34.4
M-10-4-K-AF	10	1/4"	19	38.1
M-10-6-K-AF	10	3/8"	22	40.1
M-10-8-K-AF	10	1/2"	27	46.5
M-10-12-K-AF	10	3/4"	35	57.1
M-12-4-K-AF	12	1/4"	19	43.7
M-12-6-K-AF	12	3/8"	22	46.0
M-12-8-K-AF	12	1/2"	27	49.5
M-12-12-K-AF	12	3/4"	35	55.8
M-12-16-K-AF	12	1"	41	63.7
M-14-4-K-AF	14	1/4"	19	44.5
M-14-6-K-AF	14	3/8"	22	45.6
M-14-8-K-AF	14	1/2"	27	51.9

PART No.	TUBE OD, T	P BSPP	H (Hex) mm	L mm
	mm			
M-14-12-K-AF	14	3/4"	35	55.1
M-14-16-K-AF	14	1"	41	59.1
M-15-4-K-AF	15	1/4"	19	44.5
M-15-6-K-AF	15	3/8"	22	45.6
M-15-8-K-AF	15	1/2"	27	51.9
M-15-12-K-AF	15	3/4"	35	55.1
M-15-16-K-AF	15	1"	41	59.1
M-16-4-K-AF	16	1/4"	19	44.5
M-16-6-K-AF	16	3/8"	22	45.6
M-16-8-K-AF	16	1/2"	27	52.1
M-16-12-K-AF	16	3/4"	35	55.1
M-16-16-K-AF	16	1"	41	59.1
M-18-4-K-AF	18	1/4"	22	44.6
M-18-6-K-AF	18	3/8"	22	46.5
M-18-8-K-AF	18	1/2"	27	53.0
M-18-12-K-AF	18	3/4"	35	55.1
M-18-16-K-AF	18	1"	41	58.7
M-20-8-K-AF	20	1/2"	27	54.2
M-20-12-K-AF	20	3/4"	35	56.5
M-20-16-K-AF	20	1"	41	63.8
M-22-8-K-AF	22	1/2"	27	54.2
M-22-12-K-AF	22	3/4"	35	56.5
M-22-16-K-AF	22	1"	41	63.8
M-25-8-K-AF	25	1/2"	27	54.5
M-25-12-K-AF	25	3/4"	35	60.7
M-25-16-K-AF	25	1"	41	64.2



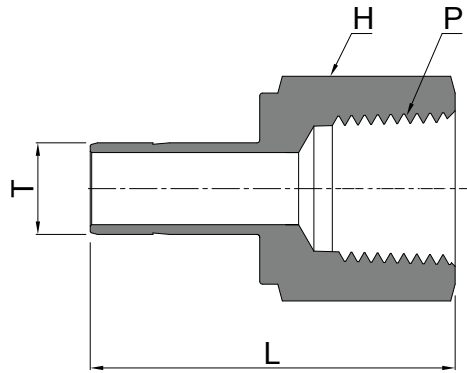
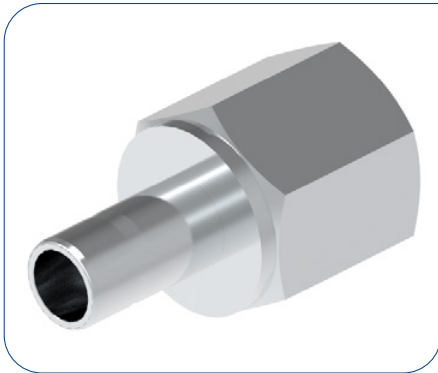
bulk

# DOUBLE FERRULE COMPRESSION FITTINGS

## FEMALE ADAPTER AF (FRACTIONAL TUBING X NPT THREAD)

[Back to Index](#)

AF SERIES



PART No.	TUBE OD, T	P NPT	H (Hex) inch	L mm
	inch			
P-1-1-AF	1/16"	1/16"	7/16"	29.32
P-1-2-AF	1/16"	1/8"	9/16"	31.58
P-1-4-AF	1/16"	1/4"	3/4"	35.30
P-2-1-AF	1/8"	1/16"	7/16"	29.32
P-2-2-AF	1/8"	1/8"	9/16"	31.50
P-2-4-AF	1/8"	1/4"	3/4"	35.30
P-3-2-AF	3/16"	1/8"	9/16"	32.00
P-3-4-AF	3/16"	1/4"	3/4"	35.81
P-3-6-AF	3/16"	3/8"	7/8"	39.38
P-4-1-AF	1/4"	1/16"	7/16"	27.95
P-4-2-AF	1/4"	1/8"	9/16"	33.02
P-4-4-AF	1/4"	1/4"	3/4"	37.10
P-4-6-AF	1/4"	3/8"	7/8"	39.37
P-4-8-AF	1/4"	1/2"	1" 1/16	45.50
P-4-12-AF	1/4"	3/4"	1" 5/16	57.25
P-5-2-AF	5/16"	1/8"	9/16"	34.29
P-5-4-AF	5/16"	1/4"	3/4"	37.59
P-5-6-AF	5/16"	3/8"	7/8"	39.35
P-5-8-AF	5/16"	1/2"	1" 1/16	46.18
P-5-12-AF	5/16"	3/4"	1" 5/16	54.87
P-6-2-AF	3/8"	1/8"	9/16"	34.29

PART No.	TUBE OD, T	P NPT	H (Hex) inch	L mm
	inch			
P-6-4-AF	3/8"	1/4"	3/4"	38.10
P-6-6-AF	3/8"	3/8"	7/8"	40.38
P-6-8-AF	3/8"	1/2"	1" 1/16	46.73
P-6-12-AF	3/8"	3/4"	1" 5/16	57.25
P-8-2-AF	1/2"	1/8"	9/16"	34.65
P-8-4-AF	1/2"	1/4"	3/4"	43.43
P-8-6-AF	1/2"	3/8"	7/8"	45.46
P-8-8-AF	1/2"	1/2"	1" 1/16	51.80
P-8-12-AF	1/2"	3/4"	1" 5/16	54.96
P-8-16-AF	1/2"	1"	1" 5/8	63.57
P-10-6-AF	5/8"	3/8"	7/8"	48.26
P-10-8-AF	5/8"	1/2"	1" 1/16	53.84
P-10-12-AF	5/8"	3/4"	1" 5/16	55.37
P-12-4-AF	3/4"	1/4"	1" 1/16	47.17
P-12-6-AF	3/4"	3/8"	1" 1/16	49.11
P-12-8-AF	3/4"	1/2"	1" 1/16	52.83
P-12-12-AF	3/4"	3/4"	1" 5/16	54.86
P-12-16-AF	3/4"	1"	1" 5/8	58.42
P-16-8-AF	1"	1/2"	1" 3/8	54.56
P-16-12-AF	1"	3/4"	1" 5/16	60.70
P-16-16-AF	1"	1"	1" 5/8	64.26

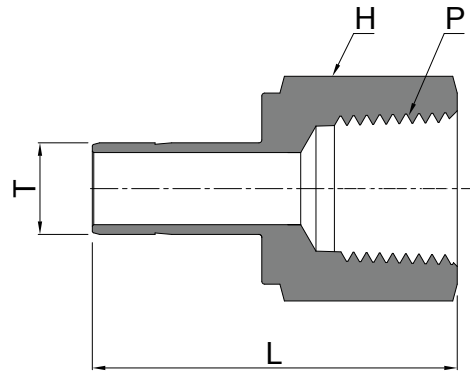
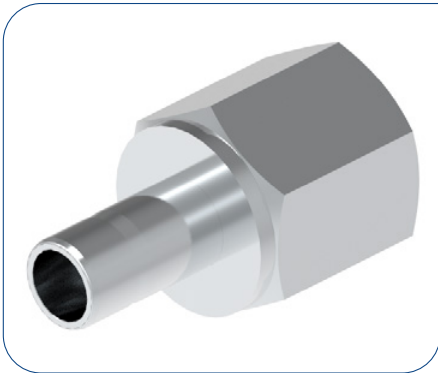
# DOUBLE FERRULE COMPRESSION FITTINGS

FEMALE ADAPTER AF (FRACTIONAL TUBING X BSPT THREAD)

bulk



[Back to Index](#)



AF SERIES

PART No.	TUBE OD, T	P BSPT	H (Hex) inch	L mm
	inch			
P-1-1-J-AF	1/16"	1/16"	7/16"	29.32
P-1-2-J-AF	1/16"	1/8"	9/16"	31.58
P-1-4-J-AF	1/16"	1/4"	3/4"	35.30
P-2-1-J-AF	1/8"	1/16"	7/16"	29.32
P-2-2-J-AF	1/8"	1/8"	9/16"	31.50
P-2-4-J-AF	1/8"	1/4"	3/4"	35.30
P-3-2-J-AF	3/16"	1/8"	9/16"	32.00
P-3-4-J-AF	3/16"	1/4"	3/4"	35.81
P-3-6-J-AF	3/16"	3/8"	7/8"	39.38
P-4-1-J-AF	1/4"	1/16"	7/16"	27.95
P-4-2-J-AF	1/4"	1/8"	9/16"	33.02
P-4-4-J-AF	1/4"	1/4"	3/4"	37.10
P-4-6-J-AF	1/4"	3/8"	7/8"	39.37
P-4-8-J-AF	1/4"	1/2"	1" 1/16	45.50
P-4-12-J-AF	1/4"	3/4"	1" 5/16	57.25
P-5-2-J-AF	5/16"	1/8"	9/16"	34.29
P-5-4-J-AF	5/16"	1/4"	3/4"	37.59
P-5-6-J-AF	5/16"	3/8"	7/8"	39.35
P-5-8-J-AF	5/16"	1/2"	1" 1/16	46.18
P-5-12-J-AF	5/16"	3/4"	1" 5/16	54.87
P-6-2-J-AF	3/8"	1/8"	9/16"	34.29

PART No.	TUBE OD, T	P BSPT	H (Hex) inch	L mm
	inch			
P-6-4-J-AF	3/8"	1/4"	3/4"	38.10
P-6-6-J-AF	3/8"	3/8"	7/8"	40.38
P-6-8-J-AF	3/8"	1/2"	1" 1/16	46.73
P-6-12-J-AF	3/8"	3/4"	1" 5/16	57.25
P-8-2-J-AF	1/2"	1/8"	9/16"	34.65
P-8-4-J-AF	1/2"	1/4"	3/4"	43.43
P-8-6-J-AF	1/2"	3/8"	7/8"	45.46
P-8-8-J-AF	1/2"	1/2"	1" 1/16	51.80
P-8-12-J-AF	1/2"	3/4"	1" 5/16	54.96
P-8-16-J-AF	1/2"	1"	1" 5/8	63.57
P-10-6-J-AF	5/8"	3/8"	7/8"	48.26
P-10-8-J-AF	5/8"	1/2"	1" 1/16	53.84
P-10-12-J-AF	5/8"	3/4"	1" 5/16	55.37
P-12-4-J-AF	3/4"	1/4"	1" 1/16	47.17
P-12-6-J-AF	3/4"	3/8"	1" 1/16	49.11
P-12-8-J-AF	3/4"	1/2"	1" 1/16	52.83
P-12-12-J-AF	3/4"	3/4"	1" 5/16	54.86
P-12-16-J-AF	3/4"	1"	1" 5/8	58.42
P-16-8-J-AF	1"	1/2"	1" 3/8"	54.56
P-16-12-J-AF	1"	3/4"	1" 5/16	60.70
P-16-16-J-AF	1"	1"	1" 5/8	64.26



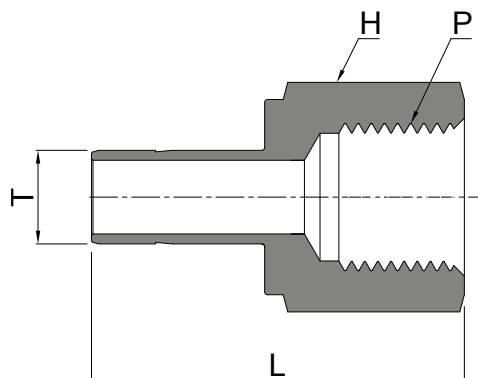
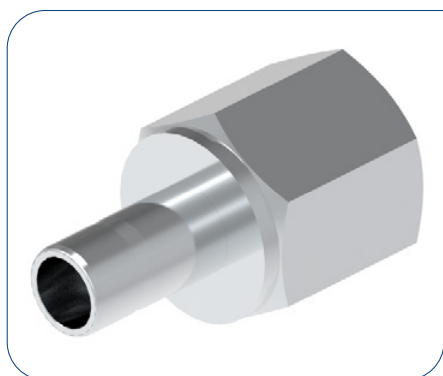
bulk

# DOUBLE FERRULE COMPRESSION FITTINGS

## FEMALE ADAPTER AF (FRACTIONAL TUBING X BSPP THREAD)

[Back to Index](#)

AF SERIES



PART No.	TUBE OD, T	P	H (Hex)	L
	inch			
P-1-1-K-AF	1/16"	1/16"	7/16"	29.32
P-1-2-K-AF	1/16"	1/8"	9/16"	31.58
P-1-4-K-AF	1/16"	1/4"	3/4"	35.30
P-2-1-K-AF	1/8"	1/16"	7/16"	29.32
P-2-2-K-AF	1/8"	1/8"	9/16"	31.50
P-2-4-K-AF	1/8"	1/4"	3/4"	35.30
P-3-2-K-AF	3/16"	1/8"	9/16"	32.00
P-3-4-K-AF	3/16"	1/4"	3/4"	35.81
P-3-6-K-AF	3/16"	3/8"	7/8"	39.38
P-4-1-K-AF	1/4"	1/16"	9/16"	27.95
P-4-2-K-AF	1/4"	1/8"	9/16"	31.75
P-4-4-K-AF	1/4"	1/4"	3/4"	38.10
P-4-6-K-AF	1/4"	3/8"	7/8"	39.37
P-4-8-K-AF	1/4"	1/2"	1" 1/16	45.50
P-4-12-K-AF	1/4"	3/4"	1" 5/16	57.25
P-5-2-K-AF	5/16"	1/8"	9/16"	34.29
P-5-4-K-AF	5/16"	1/4"	3/4"	37.59
P-5-6-K-AF	5/16"	3/8"	7/8"	39.35
P-5-8-K-AF	5/16"	1/2"	1" 1/16	46.18
P-5-12-K-AF	5/16"	3/4"	1" 5/16	54.87
P-6-2-K-AF	3/8"	1/8"	5/8"	34.29

PART No.	TUBE OD, T	P	H (Hex)	L
	inch			
P-6-4-K-AF	3/8"	1/4"	3/4"	39.40
P-6-6-K-AF	3/8"	3/8"	7/8"	40.38
P-6-8-K-AF	3/8"	1/2"	1" 1/16	46.73
P-6-12-K-AF	3/8"	3/4"	1" 5/16	57.25
P-8-2-K-AF	1/2"	1/8"	13/16"	34.65
P-8-4-K-AF	1/2"	1/4"	13/16"	43.43
P-8-6-K-AF	1/2"	3/8"	7/8"	45.46
P-8-8-K-AF	1/2"	1/2"	1" 1/16	51.80
P-8-12-K-AF	1/2"	3/4"	1" 5/16	54.96
P-8-16-K-AF	1/2"	1"	1" 5/8	63.57
P-10-6-K-AF	5/8"	3/8"	15/16"	48.26
P-10-8-K-AF	5/8"	1/2"	1" 1/16	53.84
P-10-12-K-AF	5/8"	3/4"	1" 5/16	55.37
P-12-4-K-AF	3/4"	1/4"	1" 1/16	47.17
P-12-6-K-AF	3/4"	3/8"	1" 1/16	49.11
P-12-8-K-AF	3/4"	1/2"	1" 1/16	52.83
P-12-12-K-AF	3/4"	3/4"	1" 5/16	54.86
P-12-16-K-AF	3/4"	1"	1" 5/8	58.42
P-16-8-K-AF	1"	1/2"	1" 3/8	54.56
P-16-12-K-AF	1"	3/4"	1" 3/8	60.70
P-16-16-K-AF	1"	1"	1" 5/8	64.26

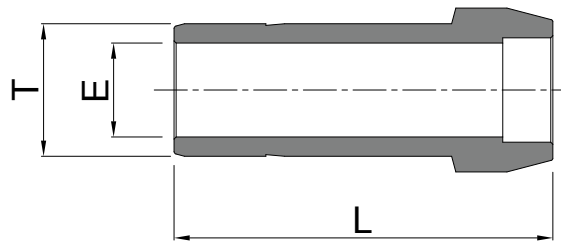
# DOUBLE FERRULE COMPRESSION FITTINGS

PORT CONNECTOR PC (METRIC TUBING)

bulk



[Back to Index](#)



PC SERIES

PART No.	TUBE OD, T	E	L
	mm	mm	mm
M-2-PC	2	1.0	22.2
M-3-PC	3	2.1	22.2
M-4-PC	4	2.2	25.8
M-6-PC	6	4.4	24.6
M-8-PC	8	6.2	25.9
M-10-PC	10	8.2	26.1
M-12-PC	12	9.1	35.8
M-14-PC	14	12.7	37.4
M-15-PC	15	12.7	37.4
M-16-PC	16	12.7	37.4
M-18-PC	18	13.9	37.4
M-20-PC	20	15.1	38.9
M-22-PC	22	17.9	39.2
M-25-PC	25	19.8	49.5



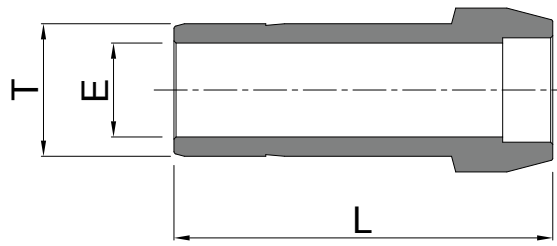
bulk

# DOUBLE FERRULE COMPRESSION FITTINGS

PORT CONNECTOR PC (FRACTIONAL TUBING)

[Back to Index](#)

PC SERIES



PART No.	TUBE OD, T	E	L
	inch	mm	mm
P-1-PC	1/16"	1.00	13.72
P-2-PC	1/8"	1.77	22.35
P-3-PC	3/16"	3.04	24.64
P-4-PC	1/4"	4.57	24.64
P-5-PC	5/16"	6.35	25.90
P-6-PC	3/8"	7.11	26.16
P-8-PC	1/2"	9.90	35.81
P-10-PC	5/8"	12.7	37.33
P-12-PC	3/4"	14.98	37.33
P-16-PC	1"	20.06	48.00

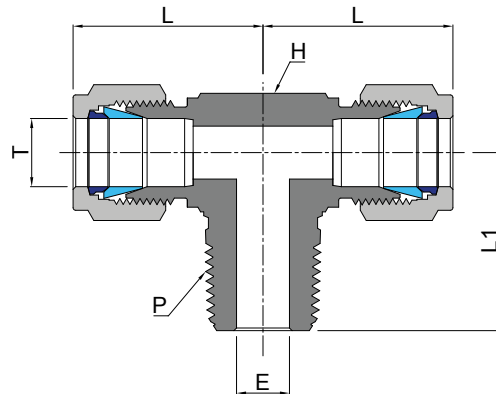
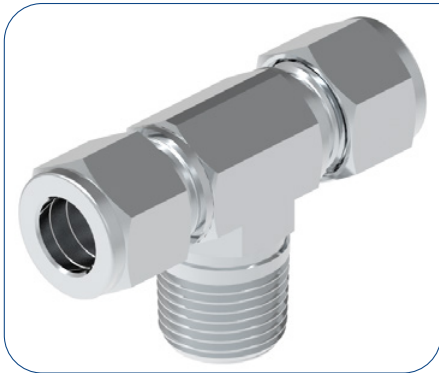
# DOUBLE FERRULE COMPRESSION FITTINGS

MALE BRANCH TEE TMC (METRIC TUBING X NPT THREAD)

bulk



[Back to Index](#)



TMC SERIES

PART No.	TUBE	P	E	H (Hex)	L	L1
	OD, T					
	mm	NPT	mm	mm	mm	mm
M-3-2-TMC	3	1/8"	2.4	12.7	23.6	17.8
M-3-4-TMC	3	1/4"	2.4	12.7	24.6	23.4
M-6-2-TMC	6	1/8"	4.8	12.7	27.0	18.8
M-6-4-TMC	6	1/4"	4.8	14.2	27.0	23.4
M-6-6-TMC	6	3/8"	4.8	17.5	29.8	26.2
M-6-8-TMC	6	1/2"	4.8	20.6	31.8	33.0
M-8-2-TMC	8	1/8"	6.4	14.3	28.8	19.8
M-8-4-TMC	8	1/4"	6.4	14.3	28.8	24.4
M-8-6-TMC	8	3/8"	6.4	17.5	30.6	26.2
M-8-8-TMC	8	1/2"	6.4	20.6	32.6	33.0
M-10-2-TMC	10	1/8"	7.9	17.5	31.5	23.6
M-10-4-TMC	10	1/4"	7.9	17.5	31.5	26.2
M-10-6-TMC	10	3/8"	7.9	17.5	31.5	26.2
M-10-8-TMC	10	1/2"	7.9	20.6	33.5	33.0
M-10-12-TMC	10	3/4"	7.9	27.0	37.3	36.8
M-12-4-TMC	12	1/4"	9.5	20.6	36.0	28.2
M-12-6-TMC	12	3/8"	9.5	20.6	36.0	28.2
M-12-8-TMC	12	1/2"	9.5	20.6	36.0	33.0
M-12-12-TMC	12	3/4"	9.5	27.0	39.8	36.8
M-12-16-TMC	12	1"	9.5	34.9	44.6	46.5
M-14-4-TMC	14	1/4"	12.7	23.8	38.1	29.4
M-14-6-TMC	14	3/8"	12.7	23.8	38.1	29.4
M-14-8-TMC	14	1/2"	12.7	23.8	38.1	34.0

PART No.	TUBE	P	E	H (Hex)	L	L1
	OD, T					
	mm	NPT	mm	mm	mm	mm
M-14-12-TMC	14	3/4"	12.7	27.0	39.8	36.8
M-14-16-TMC	14	1"	12.7	34.9	44.6	46.5
M-15-4-TMC	15	1/4"	12.7	23.8	38.0	29.4
M-15-6-TMC	15	3/8"	12.7	23.8	38.0	29.4
M-15-8-TMC	15	1/2"	12.7	23.8	38.0	34.0
M-15-12-TMC	15	3/4"	12.7	27.0	39.8	36.8
M-15-16-TMC	15	1"	12.7	34.9	44.6	46.5
M-16-4-TMC	16	1/4"	12.7	23.8	38.0	29.4
M-16-6-TMC	16	3/8"	12.7	23.8	38.0	29.4
M-16-8-TMC	16	1/2"	12.7	23.8	38.0	34.0
M-16-12-TMC	16	3/4"	12.7	27.0	39.8	36.8
M-16-16-TMC	16	1"	12.7	34.9	44.6	46.5
M-18-4-TMC	18	1/4"	15.1	27.0	39.8	32.0
M-18-6-TMC	18	3/8"	15.1	27.0	39.8	32.0
M-18-8-TMC	18	1/2"	15.1	27.0	39.8	36.8
M-18-12-TMC	18	3/4"	15.1	27.0	39.8	36.8
M-18-16-TMC	18	1"	15.1	34.9	44.6	46.5
M-20-8-TMC	20	1/2"	15.9	34.9	44.6	41.7
M-20-12-TMC	20	3/4"	15.9	34.9	44.6	41.7
M-20-16-TMC	20	1"	15.9	34.9	44.6	46.5
M-22-8-TMC	22	1/2"	18.3	34.9	44.6	41.7
M-22-12-TMC	22	3/4"	18.3	34.9	44.6	41.7
M-22-16-TMC	22	1"	18.3	34.9	44.6	46.5



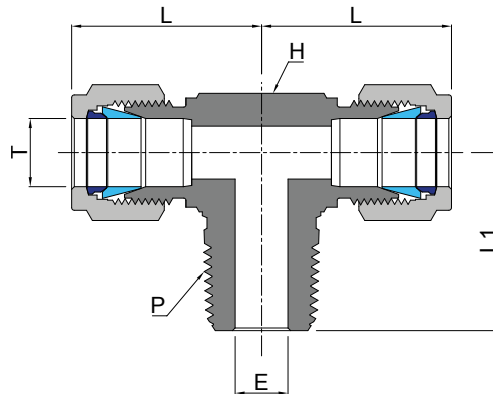
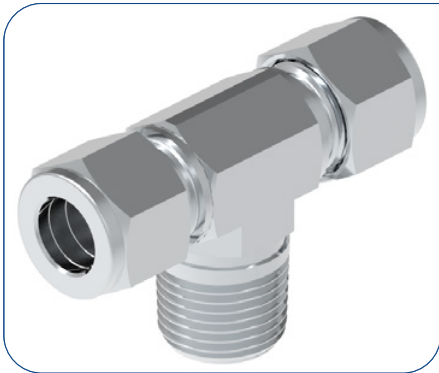
bulk

# DOUBLE FERRULE COMPRESSION FITTINGS

## MALE BRANCH TEE TMC (FRACTIONAL TUBING X NPT THREAD)

[Back to Index](#)

TMC SERIES



PART No.	TUBE OD, T	P NPT	E mm	H (Hex) inch	L mm	L1 mm
	inch					
P-1-1-TMC	1/16"	1/16"	1.27	7/16"	19.05	17.78
P-1-2-TMC	1/16"	1/8"	1.27	7/16"	19.05	17.78
P-1-4-TMC	1/16"	1/4"	2.28	1/2"	20.59	23.40
P-2-1-TMC	1/8"	1/16"	2.28	7/16"	23.63	17.78
P-2-2-TMC	1/8"	1/8"	2.28	1/2"	24.91	18.90
P-2-4-TMC	1/8"	1/4"	3.04	1/2"	24.91	23.36
P-3-2-TMC	3/16"	1/8"	3.04	1/2"	24.38	18.79
P-3-4-TMC	3/16"	1/4"	3.04	1/2"	25.40	23.36
P-3-6-TMC	3/16"	3/8"	3.04	11/16"	30.44	26.20
P-4-1-TMC	1/4"	1/16"	4.82	1/2"	26.90	18.79
P-4-2-TMC	1/4"	1/8"	4.82	1/2"	26.92	19.10
P-4-4-TMC	1/4"	1/4"	4.82	1/2"	27.08	23.87
P-4-6-TMC	1/4"	3/8"	4.82	11/16"	29.71	28.40
P-4-8-TMC	1/4"	1/2"	4.82	13/16"	31.97	35.10
P-4-12-TMC	1/4"	3/4"	7.11	1" 1/16"	37.07	36.80
P-6-2-TMC	3/8"	1/8"	7.11	5/8"	30.48	25.40
P-6-4-TMC	3/8"	1/4"	7.11	5/8"	30.48	25.40
P-6-6-TMC	3/8"	3/8"	7.11	11/16"	31.24	28.44
P-6-8-TMC	3/8"	1/2"	7.11	13/16"	33.27	33.02

PART No.	TUBE OD, T	P NPT	E mm	H (Hex) inch	L mm	L1 mm
	inch					
P-6-12-TMC	3/8"	3/4"	10.41	1" 1/16"	37.08	36.83
P-8-2-TMC	1/2"	1/8"	10.41	13/16"	36.06	25.40
P-8-4-TMC	1/2"	1/4"	10.41	13/16"	36.06	28.30
P-8-6-TMC	1/2"	3/8"	10.41	13/16"	36.06	28.30
P-8-8-TMC	1/2"	1/2"	10.41	13/16"	36.06	33.02
P-8-12-TMC	1/2"	3/4"	10.41	1" 1/16"	39.87	36.83
P-8-16-TMC	1/2"	1"	12.70	1" 3/8"	44.70	41.70
P-10-6-TMC	5/8"	3/8"	12.70	15/16"	38.10	29.40
P-10-8-TMC	5/8"	1/2"	12.70	15/16"	38.10	34.00
P-10-12-TMC	5/8"	3/4"	15.74	1" 1/16"	39.87	36.83
P-12-4-TMC	3/4"	1/4"	15.74	1" 1/16"	39.87	32.05
P-12-6-TMC	3/4"	3/8"	15.74	1" 1/16"	39.87	32.05
P-12-8-TMC	3/4"	1/2"	15.74	1" 1/16"	39.87	37.00
P-12-12-TMC	3/4"	3/4"	15.74	1" 1/16"	39.87	36.83
P-12-16-TMC	3/4"	1"	22.35	1" 3/8"	44.70	46.70
P-16-8-TMC	1"	1/2"	22.35	1" 3/8"	49.02	41.60
P-16-12-TMC	1"	3/4"	22.35	1" 3/8"	49.02	42.20
P-16-16-TMC	1"	1"	22.40	1" 3/8"	49.02	46.70

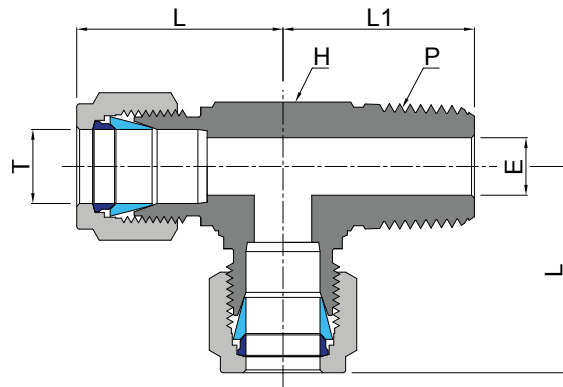
# DOUBLE FERRULE COMPRESSION FITTINGS

MALE RUN TEE TML (METRIC TUBING X NPT THREAD)

bulk



[Back to Index](#)



TML SERIES

PART No.	TUBE OD, T	P	E	H (Hex)	L	L1
	mm					
M-3-2-TML	3	1/8"	2.4	12.70	23.6	17.8
M-3-4-TML	3	1/4"	2.4	12.70	24.6	23.4
M-6-2-TML	6	1/8"	4.8	12.70	27.0	18.8
M-6-4-TML	6	1/4"	4.8	14.20	27.0	23.4
M-6-6-TML	6	3/8"	4.8	17.50	29.8	26.2
M-6-8-TML	6	1/2"	4.8	20.60	31.8	33.0
M-8-2-TML	8	1/8"	6.4	14.30	28.8	19.8
M-8-4-TML	8	1/4"	6.4	14.30	28.8	24.4
M-8-6-TML	8	3/8"	6.4	17.50	30.6	26.2
M-8-8-TML	8	1/2"	6.4	20.60	32.6	33.0
M-10-2-TML	10	1/8"	7.9	17.50	31.5	23.6
M-10-4-TML	10	1/4"	7.9	17.50	31.5	26.2
M-10-6-TML	10	3/8"	7.9	17.50	31.5	26.2
M-10-8-TML	10	1/2"	7.9	20.60	33.5	33.0
M-10-12-TML	10	3/4"	7.9	26.98	37.3	36.8
M-12-4-TML	12	1/4"	9.5	20.60	36.0	28.2
M-12-6-TML	12	3/8"	9.5	20.60	36.0	28.2
M-12-8-TML	12	1/2"	9.5	20.60	36.0	33.0
M-12-12-TML	12	3/4"	9.5	27.00	39.8	36.8
M-12-16-TML	12	1"	9.5	34.92	44.6	46.5
M-14-4-TML	14	1/4"	12.7	23.81	38.1	29.4
M-14-6-TML	14	3/8"	12.7	23.81	38.1	29.4
M-14-8-TML	14	1/2"	12.7	23.81	38.1	34.0

PART No.	TUBE OD, T	P	E	H (Hex)	L	L1
	mm					
M-14-12-TML	14	3/4"	12.7	27.00	39.8	36.8
M-14-16-TML	14	1"	12.7	34.92	44.6	46.5
M-15-4-TML	15	1/4"	12.7	23.81	38.0	29.4
M-15-6-TML	15	3/8"	12.7	23.81	38.0	29.4
M-15-8-TML	15	1/2"	12.7	23.81	38.0	34.0
M-15-12-TML	15	3/4"	12.7	27.00	39.8	36.8
M-15-16-TML	15	1"	12.7	34.92	44.6	46.5
M-16-4-TML	16	1/4"	12.7	23.81	38.0	29.4
M-16-6-TML	16	3/8"	12.7	23.81	38.0	29.4
M-16-8-TML	16	1/2"	12.7	23.81	38.0	34.0
M-16-12-TML	16	3/4"	12.7	27.00	39.8	36.8
M-16-16-TML	16	1"	12.7	34.92	44.6	46.5
M-18-4-TML	18	1/4"	15.1	27.00	39.8	32.0
M-18-6-TML	18	3/8"	15.1	27.00	39.8	32.0
M-18-8-TML	18	1/2"	15.1	27.00	39.8	36.8
M-18-12-TML	18	3/4"	15.1	27.00	39.8	36.8
M-18-16-TML	18	1"	15.1	34.90	44.6	46.5
M-20-8-TML	20	1/2"	15.9	34.90	44.6	41.7
M-20-12-TML	20	3/4"	15.9	34.90	44.6	41.7
M-20-16-TML	20	1"	15.9	34.90	44.6	46.5
M-22-8-TML	22	1/2"	18.3	34.90	44.6	41.7
M-22-12-TML	22	3/4"	18.3	34.90	44.6	41.7
M-22-16-TML	22	1"	18.3	34.90	44.6	46.5



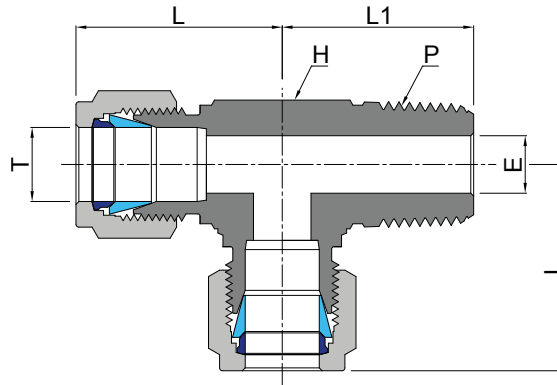
bulk

# DOUBLE FERRULE COMPRESSION FITTINGS

## MALE RUN TEE TML (FRACTIONAL TUBING X NPT THREAD)

[Back to Index](#)

TML SERIES



PART No.	TUBE OD, T	P	E	H (Hex)	L	L1
	inch					
P-1-1-TML	1/16"	1/16"	1.27	7/16"	19.05	17.78
P-1-2-TML	1/16"	1/8"	1.27	7/16"	19.05	17.78
P-1-4-TML	1/16"	1/4"	1.27	1/2"	20.59	23.40
P-2-1-TML	1/8"	1/16"	2.28	7/16"	23.63	17.78
P-2-2-TML	1/8"	1/8"	2.28	1/2"	24.91	18.90
P-2-4-TML	1/8"	1/4"	2.28	1/2"	24.91	23.36
P-3-2-TML	3/16"	1/8"	3.04	1/2"	24.38	18.79
P-3-4-TML	3/16"	1/4"	3.04	1/2"	25.40	23.36
P-3-6-TML	3/16"	3/8"	3.04	11/16"	30.44	26.20
P-4-1-TML	1/4"	1/16"	3.04	1/2"	26.90	18.79
P-4-2-TML	1/4"	1/8"	4.82	1/2"	26.92	19.10
P-4-4-TML	1/4"	1/4"	4.82	1/2"	27.08	23.87
P-4-6-TML	1/4"	3/8"	4.82	11/16"	29.71	28.40
P-4-8-TML	1/4"	1/2"	4.82	13/16"	31.97	35.10
P-4-12-TML	1/4"	3/4"	4.82	1" 1/16"	37.07	36.80
P-6-2-TML	3/8"	1/8"	7.11	5/8"	30.48	25.40
P-6-4-TML	3/8"	1/4"	7.11	5/8"	30.48	25.40
P-6-6-TML	3/8"	3/8"	7.11	11/16"	31.24	28.44
P-6-8-TML	3/8"	1/2"	7.11	13/16"	33.27	33.02

PART No.	TUBE OD, T	P	E	H (Hex)	L	L1
	inch					
P-6-12-TML	3/8"	3/4"	7.11	1" 1/16"	37.08	36.83
P-8-2-TML	1/2"	1/8"	10.41	13/16"	36.06	25.40
P-8-4-TML	1/2"	1/4"	10.41	13/16"	36.06	28.30
P-8-6-TML	1/2"	3/8"	10.41	13/16"	36.06	28.30
P-8-8-TML	1/2"	1/2"	10.41	13/16"	36.06	33.02
P-8-12-TML	1/2"	3/4"	10.41	1" 1/16"	39.87	36.83
P-8-16-TML	1/2"	1"	10.41	1" 3/8"	44.70	41.70
P-10-6-TML	5/8"	3/8"	12.70	15/16"	38.10	29.40
P-10-8-TML	5/8"	1/2"	12.70	15/16"	38.10	34.00
P-10-12-TML	5/8"	3/4"	12.70	1" 1/16"	39.87	36.83
P-12-4-TML	3/4"	1/4"	15.74	1" 1/16"	39.87	32.05
P-12-6-TML	3/4"	3/8"	15.74	1" 1/16"	39.87	32.05
P-12-8-TML	3/4"	1/2"	15.74	1" 1/16"	39.87	37.00
P-12-12-TML	3/4"	3/4"	15.74	1" 1/16"	39.87	36.83
P-12-16-TML	3/4"	1"	15.74	1" 3/8"	44.70	46.70
P-16-8-TML	1"	1/2"	22.35	1" 3/8"	49.02	41.60
P-16-12-TML	1"	3/4"	22.35	1" 3/8"	49.02	42.20
P-16-16-TML	1"	1"	22.35	1" 3/8"	49.02	46.70

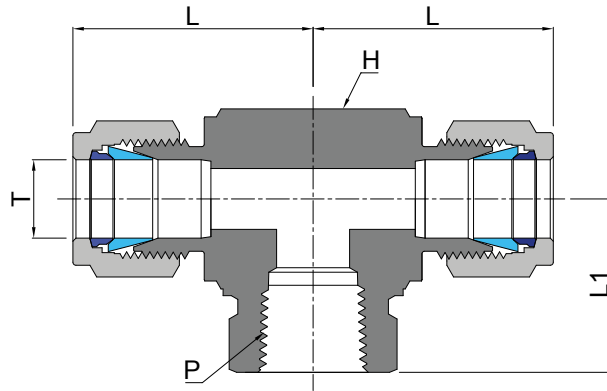
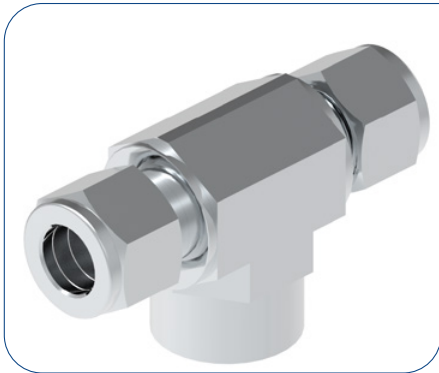
# DOUBLE FERRULE COMPRESSION FITTINGS

FEMALE BRANCH TEE TFC (METRIC TUBING X NPT THREAD)

bulk



[Back to Index](#)



TFC SERIES

PART No.	TUBE OD, T	P	H (Hex)	L	L1
	mm				
M-3-2-TFC	3	1/8"	12.70	24.63	19.00
M-3-4-TFC	3	1/4"	17.46	27.43	22.35
M-6-2-TFC	6	1/8"	12.70	27.00	19.00
M-6-4-TFC	6	1/4"	17.46	29.80	22.40
M-6-6-TFC	6	3/8"	20.64	31.70	22.40
M-6-8-TFC	6	1/2"	25.40	34.50	28.40
M-8-2-TFC	8	1/8"	15.87	29.90	19.00
M-8-4-TFC	8	1/4"	17.46	30.60	22.40
M-8-6-TFC	8	3/8"	20.64	32.40	22.40
M-8-8-TFC	8	1/2"	25.40	35.20	28.40
M-10-2-TFC	10	1/8"	17.50	31.50	19.00
M-10-4-TFC	10	1/4"	20.64	33.50	22.40
M-10-6-TFC	10	3/8"	20.64	33.50	22.40
M-10-8-TFC	10	1/2"	25.40	33.60	22.40
M-10-12-TFC	10	3/4"	34.92	42.10	31.75
M-12-4-TFC	12	1/4"	20.64	36.00	22.40
M-12-6-TFC	12	3/8"	20.64	36.00	22.40
M-12-8-TFC	12	1/2"	25.40	40.00	28.40
M-12-12-TFC	12	3/4"	34.92	44.60	31.75
M-12-16-TFC	12	1"	42.86	51.49	38.10
M-14-4-TFC	14	1/4"	23.80	40.00	22.40
M-14-6-TFC	14	3/8"	23.80	40.00	22.40
M-14-8-TFC	14	1/2"	25.40	40.00	28.40

PART No.	TUBE OD, T	P	H (Hex)	L	L1
	mm				
M-14-12-TFC	14	3/4"	34.92	44.60	31.75
M-14-16-TFC	14	1"	42.86	51.49	38.10
M-15-4-TFC	15	1/4"	22.40	40.00	22.40
M-15-6-TFC	15	3/8"	22.40	40.00	22.40
M-15-8-TFC	15	1/2"	25.40	40.00	28.40
M-15-12-TFC	15	3/4"	34.92	44.60	31.75
M-15-16-TFC	15	1"	42.86	51.49	38.10
M-16-4-TFC	16	1/4"	23.80	40.00	22.40
M-16-6-TFC	16	3/8"	23.80	40.00	22.40
M-16-8-TFC	16	1/2"	25.40	40.00	28.70
M-16-12-TFC	16	3/4"	34.92	44.60	31.75
M-16-16-TFC	16	1"	42.86	51.49	38.10
M-18-4-TFC	18	1/4"	26.98	40.00	22.40
M-18-6-TFC	18	3/8"	26.98	40.00	22.40
M-18-8-TFC	18	1/2"	26.98	40.00	28.40
M-18-12-TFC	18	3/4"	34.92	44.60	31.75
M-18-16-TFC	18	1"	42.86	51.49	38.10
M-20-8-TFC	20	1/2"	34.92	42.60	28.40
M-20-12-TFC	20	3/4"	34.92	42.60	31.75
M-20-16-TFC	20	1"	42.86	51.49	38.10
M-22-8-TFC	22	1/2"	34.92	42.60	28.40
M-22-12-TFC	22	3/4"	34.92	42.60	31.75
M-22-16-TFC	22	1"	42.86	51.49	38.10



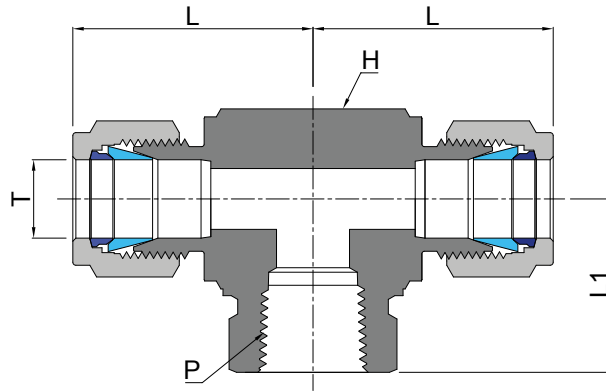
bulk

# DOUBLE FERRULE COMPRESSION FITTINGS

FEMALE BRANCH TEE TFC (FRACTIONAL TUBING X NPT THREAD)

[Back to Index](#)

TFC SERIES



PART No.	TUBE OD, T	P NPT	H (Hex) inch	L mm	L1 mm
	inch				
P-1-1-TFC	1/16"	1/16"	7/16"	19.05	18.00
P-1-2-TFC	1/16"	1/8"	1/2"	20.20	19.05
P-1-4-TFC	1/16"	1/4"	11/16"	23.00	22.35
P-2-1-TFC	1/8"	1/16"	7/16"	19.05	18.00
P-2-2-TFC	1/8"	1/8"	1/2"	24.63	19.05
P-2-4-TFC	1/8"	1/4"	11/16"	27.43	22.35
P-3-2-TFC	3/16"	1/8"	1/2"	25.40	19.05
P-3-4-TFC	3/16"	1/4"	11/16"	27.30	22.35
P-3-6-TFC	3/16"	3/8"	13/16"	30.20	22.35
P-4-1-TFC	1/4"	1/16"	1/2"	26.92	18.00
P-4-2-TFC	1/4"	1/8"	1/2"	26.92	19.05
P-4-4-TFC	1/4"	1/4"	11/16"	29.71	22.35
P-4-6-TFC	1/4"	3/8"	13/16"	31.75	22.35
P-4-8-TFC	1/4"	1/2"	1"	34.54	28.44
P-4-12-TFC	1/4"	3/4"	1" 3/8	40.30	31.75
P-6-2-TFC	3/8"	1/8"	5/8"	30.48	19.05
P-6-4-TFC	3/8"	1/4"	11/16"	31.24	22.35
P-6-6-TFC	3/8"	3/8"	13/16"	33.27	22.35
P-6-8-TFC	3/8"	1/2"	1"	36.06	28.44

PART No.	TUBE OD, T	P NPT	H (Hex) inch	L mm	L1 mm
	inch				
P-6-12-TFC	3/8"	3/4"	1" 3/8	41.80	31.50
P-8-2-TFC	1/2"	1/8"	13/16"	36.06	19.05
P-8-4-TFC	1/2"	1/4"	13/16"	36.06	22.35
P-8-6-TFC	1/2"	3/8"	13/16"	36.06	22.35
P-8-8-TFC	1/2"	1/2"	1"	39.87	28.44
P-8-12-TFC	1/2"	3/4"	1" 3/8	44.6	31.75
P-8-16-TFC	1/2"	1"	1" 11/16	49.19	38.10
P-10-6-TFC	5/8"	3/8"	15/16"	38.10	22.35
P-10-8-TFC	5/8"	1/2"	1"	38.86	28.44
P-10-12-TFC	5/8"	3/4"	1" 3/8	44.60	31.75
P-12-4-TFC	3/4"	1/4"	1" 1/16	39.87	22.35
P-12-6-TFC	3/4"	3/8"	1" 1/16	39.87	22.35
P-12-8-TFC	3/4"	1/2"	1" 1/16	39.87	28.44
P-12-12-TFC	3/4"	3/4"	1" 3/8	44.70	31.75
P-12-16-TFC	3/4"	1"	1" 11/16	49.29	38.10
P-16-8-TFC	1"	1/2"	1" 3/8	49.02	28.44
P-16-12-TFC	1"	3/4"	1" 3/8	49.02	31.75
P-16-16-TFC	1"	1"	1" 11/16	53.59	38.10

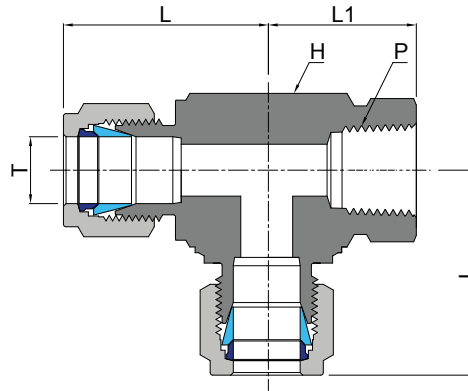
# DOUBLE FERRULE COMPRESSION FITTINGS

FEMALE RUN TEE TFL (METRIC TUBING X NPT THREAD)

bulk



[Back to Index](#)



TFL SERIES

PART No.	TUBE OD, T	P	H (Hex)	L	L1
	mm				
M-3-2-TFL	3	1/8"	12.70	24.63	19.00
M-3-4-TFL	3	1/4"	17.46	27.43	22.35
M-6-2-TFL	6	1/8"	12.70	27.00	19.00
M-6-4-TFL	6	1/4"	17.46	29.80	22.40
M-6-6-TFL	6	3/8"	20.64	31.70	22.40
M-6-8-TFL	6	1/2"	25.40	34.50	28.40
M-8-2-TFL	8	1/8"	15.87	29.90	19.00
M-8-4-TFL	8	1/4"	17.46	30.60	22.40
M-8-6-TFL	8	3/8"	20.64	32.40	22.40
M-8-8-TFL	8	1/2"	25.40	35.20	28.40
M-10-2-TFL	10	1/8"	17.50	31.50	19.00
M-10-4-TFL	10	1/4"	20.64	33.50	22.40
M-10-6-TFL	10	3/8"	20.64	33.50	22.40
M-10-8-TFL	10	1/2"	25.40	33.60	22.40
M-10-12-TFL	10	3/4"	34.92	42.10	31.75
M-12-4-TFL	12	1/4"	20.64	36.00	22.40
M-12-6-TFL	12	3/8"	20.64	36.00	22.40
M-12-8-TFL	12	1/2"	25.40	40.00	28.40
M-12-12-TFL	12	3/4"	34.92	44.60	31.75
M-12-16-TFL	12	1"	42.86	51.49	38.10
M-14-4-TFL	14	1/4"	23.80	40.00	22.40
M-14-6-TFL	14	3/8"	23.80	40.00	22.40
M-14-8-TFL	14	1/2"	25.40	40.00	28.40

PART No.	TUBE OD, T	P	H (Hex)	L	L1
	mm				
M-14-12-TFL	14	3/4"	34.92	44.60	31.75
M-14-16-TFL	14	1"	42.86	51.49	38.10
M-15-4-TFL	15	1/4"	22.40	40.00	22.40
M-15-6-TFL	15	3/8"	22.40	40.00	22.40
M-15-8-TFL	15	1/2"	25.40	40.00	28.40
M-15-12-TFL	15	3/4"	34.92	44.60	31.75
M-15-16-TFL	15	1"	42.86	51.49	38.10
M-16-4-TFL	16	1/4"	23.80	40.00	22.40
M-16-6-TFL	16	3/8"	23.80	40.00	22.40
M-16-8-TFL	16	1/2"	25.40	40.00	28.70
M-16-12-TFL	16	3/4"	34.92	44.60	31.75
M-16-16-TFL	16	1"	42.86	51.49	38.10
M-18-4-TFL	18	1/4"	26.98	40.00	22.40
M-18-6-TFL	18	3/8"	26.98	40.00	22.40
M-18-8-TFL	18	1/2"	26.98	40.00	28.40
M-18-12-TFL	18	3/4"	34.92	44.60	31.75
M-18-16-TFL	18	1"	42.86	51.49	38.10
M-20-8-TFL	20	1/2"	34.92	42.60	28.40
M-20-12-TFL	20	3/4"	34.92	42.60	31.75
M-20-16-TFL	20	1"	42.86	51.49	38.10
M-22-8-TFL	22	1/2"	34.92	42.60	28.40
M-22-12-TFL	22	3/4"	34.92	42.60	31.75
M-22-16-TFL	22	1"	42.86	51.49	38.10



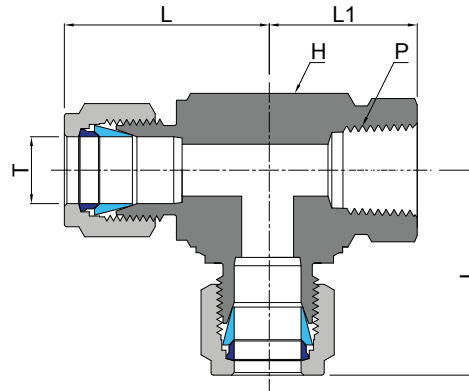
bulk

# DOUBLE FERRULE COMPRESSION FITTINGS

## FEMALE RUN TEE TFL (FRACTIONAL TUBING X NPT THREAD)

[Back to Index](#)

TFL SERIES



PART No.	TUBE OD, T	P NPT	H (Hex) inch	L mm	L1 mm
	inch				
P-1-1-TFL	1/16"	1/16"	7/16"	19.05	18.00
P-1-2-TFL	1/16"	1/8"	1/2"	20.20	19.05
P-1-4-TFL	1/16"	1/4"	11/16"	23.00	22.35
P-2-1-TFL	1/8"	1/16"	7/16"	19.05	18.00
P-2-2-TFL	1/8"	1/8"	1/2"	24.63	19.05
P-2-4-TFL	1/8"	1/4"	11/16"	27.43	22.35
P-3-2-TFL	3/16"	1/8"	1/2"	25.40	19.05
P-3-4-TFL	3/16"	1/4"	11/16"	27.30	22.35
P-3-6-TFL	3/16"	3/8"	13/16"	30.20	22.35
P-4-1-TFL	1/4"	1/16"	1/2"	26.92	18.00
P-4-2-TFL	1/4"	1/8"	1/2"	26.92	19.05
P-4-4-TFL	1/4"	1/4"	11/16"	29.71	22.35
P-4-6-TFL	1/4"	3/8"	13/16"	31.75	22.35
P-4-8-TFL	1/4"	1/2"	1"	34.54	28.44
P-4-12-TFL	1/4"	3/4"	1" 3/8	40.30	31.75
P-6-2-TFL	3/8"	1/8"	5/8"	30.48	19.05
P-6-4-TFL	3/8"	1/4"	11/16"	31.24	22.35
P-6-6-TFL	3/8"	3/8"	13/16"	33.27	22.35
P-6-8-TFL	3/8"	1/2"	1"	36.06	28.44

PART No.	TUBE OD, T	P NPT	H (Hex) inch	L mm	L1 mm
	inch				
P-6-12-TFL	3/8"	3/4"	1" 3/8	41.80	31.50
P-8-2-TFL	1/2"	1/8"	13/16"	36.06	19.05
P-8-4-TFL	1/2"	1/4"	13/16"	36.06	22.35
P-8-6-TFL	1/2"	3/8"	13/16"	36.06	22.35
P-8-8-TFL	1/2"	1/2"	1"	39.87	28.44
P-8-12-TFL	1/2"	3/4"	1" 3/8	44.60	31.75
P-8-16-TFL	1/2"	1"	1" 11/16	49.19	38.10
P-10-6-TFL	5/8"	3/8"	15/16"	38.10	22.35
P-10-8-TFL	5/8"	1/2"	1"	38.86	28.44
P-10-12-TFL	5/8"	3/4"	1" 3/8	44.60	31.75
P-12-4-TFL	3/4"	1/4"	1" 1/16	39.87	22.35
P-12-6-TFL	3/4"	3/8"	1" 1/16	39.87	22.35
P-12-8-TFL	3/4"	1/2"	1" 1/16	39.87	28.44
P-12-12-TFL	3/4"	3/4"	1" 3/8	44.70	31.75
P-12-16-TFL	3/4"	1"	1" 11/16	49.29	38.10
P-16-8-TFL	1"	1/2"	1" 3/8	49.02	28.44
P-16-12-TFL	1"	3/4"	1" 3/8	49.02	31.75
P-16-16-TFL	1"	1"	1" 11/16	53.59	38.10

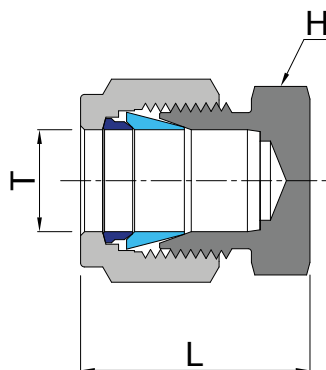
# DOUBLE FERRULE COMPRESSION FITTINGS

TUBE END CLOSURE TT (METRIC TUBING)

bulk



[Back to Index](#)



TT SERIES

PART No.	TUBE OD, T	H (HEX)	L
	mm	mm	mm
M-2-TT	2	12	20.1
M-3-TT	3	12	20.1
M-4-TT	4	12	21.3
M-6-TT	6	14	23.1
M-8-TT	8	15	24.5
M-10-TT	10	18	26.6
M-12-TT	12	22	29.1
M-14-TT	14	24	29.9
M-15-TT	15	24	29.9
M-16-TT	16	24	29.9
M-18-TT	18	27	31.4
M-20-TT	20	30	34.0
M-22-TT	22	30	34.0
M-25-TT	25	35	38.5



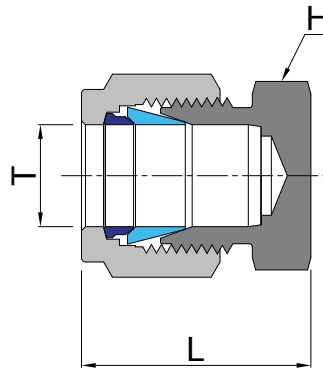
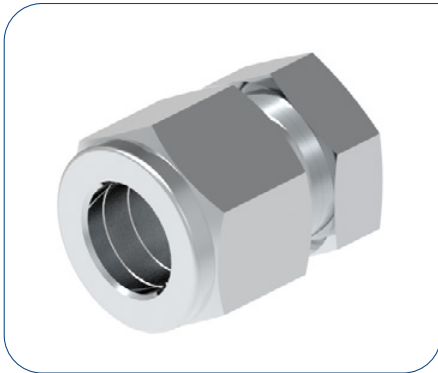
bulk

# DOUBLE FERRULE COMPRESSION FITTINGS

TUBE END CLOSURE TT (FRACTIONAL TUBING)

[Back to Index](#)

TT SERIES



PART No.	TUBE OD, T	H (HEX)	L
	inch	inch	mm
P-1-TT	1/16"	5/16"	14.18
P-2-TT	1/8"	7/16"	20.06
P-3-TT	3/16"	7/16"	21.33
P-4-TT	1/4"	1/2"	23.26
P-5-TT	5/16"	9/16"	24.38
P-6-TT	3/8"	5/8"	25.65
P-8-TT	1/2"	13/16"	29.21
P-10-TT	5/8"	15/16"	29.97
P-12-TT	3/4"	1" 1/16	31.49
P-16-TT	1"	1" 3/8	38.35

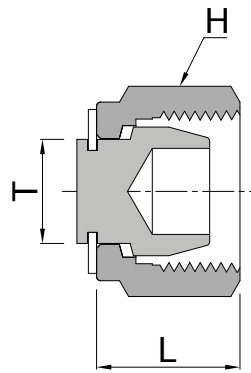
# DOUBLE FERRULE COMPRESSION FITTINGS

FITTING END CLOSURE TR (METRIC TUBING)

bulk



[Back to Index](#)



TR SERIES

PART No.	TUBE OD, T	H (HEX)	L
	mm	mm	mm
M-2-TR	2	12	11.9
M-3-TR	3	12	11.9
M-4-TR	4	12	11.9
M-6-TR	6	14	12.7
M-8-TR	8	16	13.5
M-10-TR	10	19	15.1
M-12-TR	12	22	17.4
M-14-TR	14	25	17.4
M-15-TR	15	25	17.4
M-16-TR	16	25	17.4
M-18-TR	18	30	17.4
M-20-TR	20	32	17.4
M-22-TR	22	32	17.4
M-25-TR	25	38	20.6



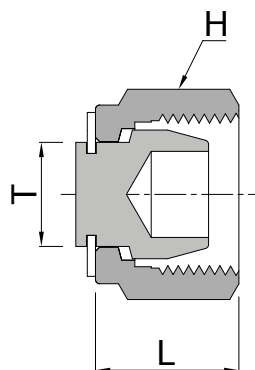
bulk

# DOUBLE FERRULE COMPRESSION FITTINGS

## FITTING END CLOSURE TR (FRACTIONAL TUBING)

[Back to Index](#)

TR SERIES



PART No.	TUBE OD, T	H (HEX)	L
	inch	inch	mm
P-1-TR	1/16"	5/16"	7.90
P-2-TR	1/8"	7/16"	11.93
P-3-TR	3/16"	1/2"	11.93
P-4-TR	1/4"	9/16"	12.70
P-5-TR	5/16"	5/8"	13.46
P-6-TR	3/8"	11/16"	14.22
P-8-TR	1/2"	7/8"	17.52
P-10-TR	5/8"	1"	17.52
P-12-TR	3/4"	1" 1/8	17.52
P-16-TR	1"	1" 1/2	20.57

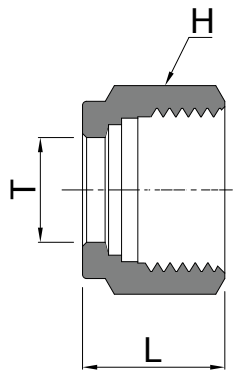
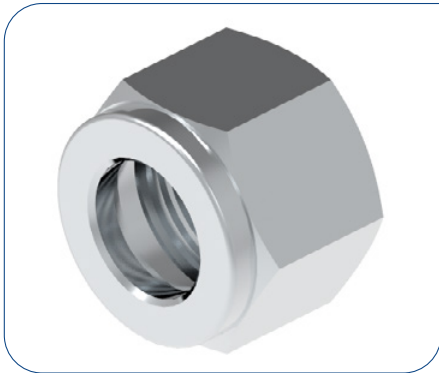
# DOUBLE FERRULE COMPRESSION FITTINGS

NUT D (METRIC TUBING)

bulk



[Back to Index](#)



D SERIES

PART No.	TUBE OD, T	H (HEX)	L
	mm	mm	mm
M-2-D	2	12	11.9
M-3-D	3	12	11.9
M-4-D	4	12	11.9
M-6-D	6	14	12.7
M-8-D	8	16	13.5
M-10-D	10	19	15.1
M-12-D	12	22	17.4
M-14-D	14	25	17.4
M-15-D	15	25	17.4
M-16-D	16	25	17.4
M-18-D	18	30	17.4
M-20-D	20	32	17.4
M-22-D	22	32	17.4
M-25-D	25	38	20.6



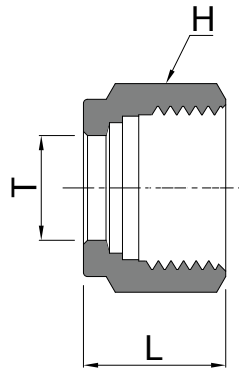
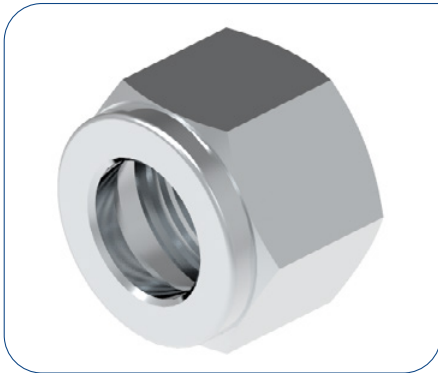
bulk

# DOUBLE FERRULE COMPRESSION FITTINGS

NUT D (FRACTIONAL TUBING)

[Back to Index](#)

D SERIES



PART No.	TUBE OD, T	H (Hex)	H (Hex)	L
	inch	mm	inch	mm
P-1-D	1/16"	7.93	5/16"	7.90
P-2-D	1/8"	11.11	7/16"	11.93
P-3-D	3/16"	12.70	1/2"	11.93
P-4-D	1/4"	14.28	9/16"	12.70
P-5-D	5/16"	15.87	5/8"	13.46
P-6-D	3/8"	17.46	11/16"	14.22
P-8-D	1/2"	22.22	7/8"	17.52
P-10-D	5/8"	25.40	1"	17.52
P-12-D	3/4"	28.58	1" 1/8	17.52
P-16-D	1"	38.10	1" 1/2	20.57

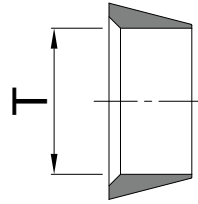
# DOUBLE FERRULE COMPRESSION FITTINGS

## FRONT FERRULE FA (METRIC TUBING)

bulk



[Back to Index](#)



FA SERIES

PART No.	TUBE OD, T
	mm
M-2-FA	2
M-3-FA	3
M-4-FA	4
M-6-FA	6
M-8-FA	8
M-10-FA	10
M-12-FA	12
M-14-FA	14
M-15-FA	15
M-16-FA	16
M-18-FA	18
M-20-FA	20
M-22-FA	22
M-25-FA	25



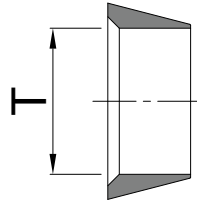
bulk

## DOUBLE FERRULE COMPRESSION FITTINGS

FRONT FERRULE FA (FRACTIONAL TUBING)

[Back to Index](#)

FA SERIES



PART No.	TUBE OD, T
	inch
P-1-FA	1/16"
P-2-FA	1/8"
P-3-FA	3/16"
P-4-FA	1/4"
P-5-FA	5/16
P-6-FA	3/8"
P-8-FA	1/2"
P-10-FA	5/8"
P-12-FA	3/4"
P-16-FA	1"

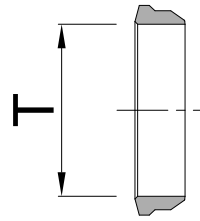
# DOUBLE FERRULE COMPRESSION FITTINGS

BACK FERRULE FP (METRIC TUBING)

bulk



[Back to Index](#)



FP SERIES

PART No.	TUBE OD, T
	mm
M-2-FP	2
M-3-FP	3
M-4-FP	4
M-6-FP	6
M-8-FP	8
M-10-FP	10
M-12-FP	12
M-14-FP	14
M-15-FP	15
M-16-FP	16
M-18-FP	18
M-20-FP	20
M-22-FP	22
M-25-FP	25



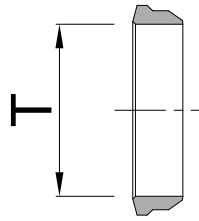
bulk

# DOUBLE FERRULE COMPRESSION FITTINGS

BACK FERRULE FP (FRACTIONAL TUBING)

[Back to Index](#)

FP SERIES



PART No.	TUBE OD, T
	inch
P-1-FP	1/16"
P-2-FP	1/8"
P-3-FP	3/16"
P-4-FP	1/4"
P-5-FP	5/16"
P-6-FP	3/8"
P-8-FP	1/2"
P-10-FP	5/8"
P-12-FP	3/4"
P-16-FP	1"

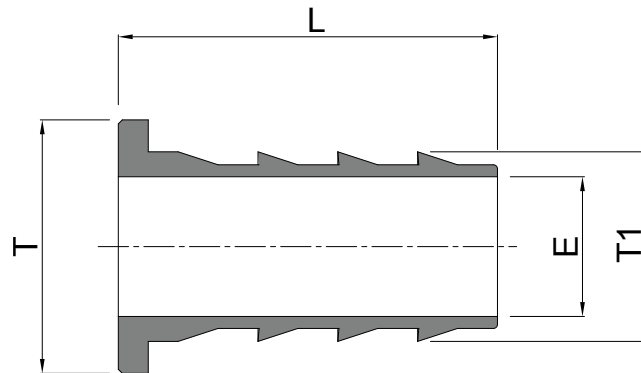
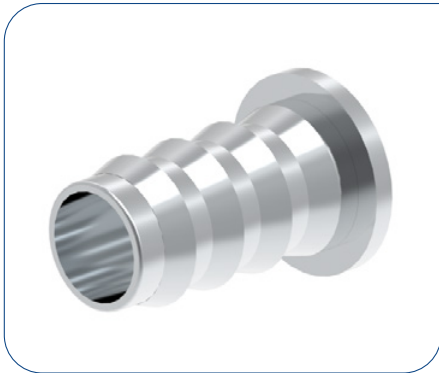
# DOUBLE FERRULE COMPRESSION FITTINGS

TUBE INSERT TI (METRIC TUBING)

bulk



[Back to Index](#)



TI SERIES

PART No.	TUBE OD, T	E	TUBE OD, T 1	L
	mm		mm	
M-6-4-TI	6	2.4	4	10.5
M-8-6-TI	8	4.8	6	16.5
M-10-8-TI	10	6.4	8	24.0
M-12-8-TI	12	6.4	8	24.0
M-12-10-TI	12	8.3	10	31.2



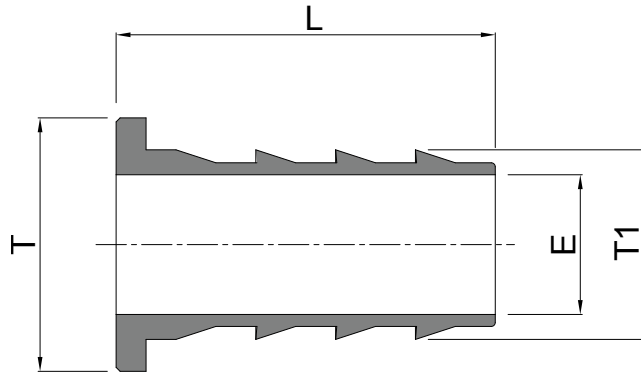
bulk

# DOUBLE FERRULE COMPRESSION FITTINGS

## TUBE INSERT TI (FRACTIONAL TUBING)

[Back to Index](#)

TI SERIES



PART No.	TUBE OD, T	E	TUBE OD, T1	L
	inch	mm	inch	mm
P-4-2-TI	1/4"	2.3	1/8"	8.6
P-4-3-TI	1/4"	3.5	3/16"	12.0
P-6-3-TI	3/8"	3.5	3/16"	14.2
P-6-4-TI	3/8"	4.0	1/4"	14.2
P-8-4-TI	1/2"	4.0	1/4"	14.5
P-8-6-TI	1/2"	7.0	3/8"	19.0

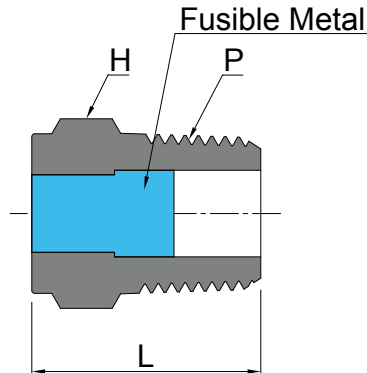
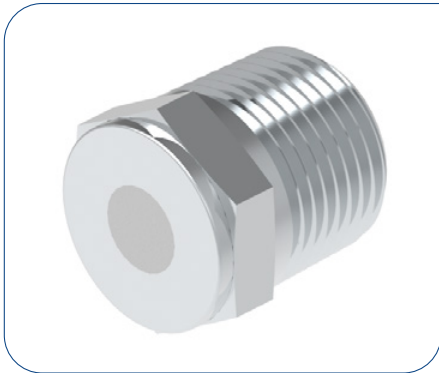
# DOUBLE FERRULE COMPRESSION FITTINGS

THREADED FUSIBLE PLUG PFT (NPT THREAD)

bulk



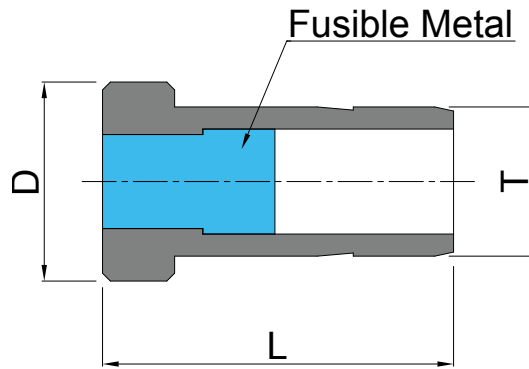
[Back to Index](#)



PART No.	P	L	H (HEX)	Melting temperature
	NPT	mm	mm	°C
P-4-PTF-71	1/4"	24.1	14.28	71
P-4-PTF-124	1/4"	24.1	14.28	124
P-4-PTF-138	1/4"	24.1	14.28	138
P-6-PTF-71	3/8"	25.1	17.46	71
P-6-PTF-124	3/8"	25.1	17.46	124
P-6-PTF-138	3/8"	25.1	17.46	138

Maximum working pressure is 250 psig (17.3 bar)

PFT SERIES



PART No.	Tube OD, T	L	D	Melting temperature
	mm			mm
M-6-PFF-71	6	21.0	10.0	71
M-6-PFF-124	6	21.0	10.0	124
M-6-PFF-138	6	21.0	10.0	138
M-10-PFF-71	10	23.0	13.0	71
M-10-PFF-124	10	23.0	13.0	124
M-10-PFF-138	10	23.0	13.0	138
M-12-PFF-71	12	29.0	16.0	71
M-12-PFF-124	12	29.0	16.0	124
M-12-PFF-138	12	29.0	16.0	138

Maximum working pressure is 250psig (17.3bar)

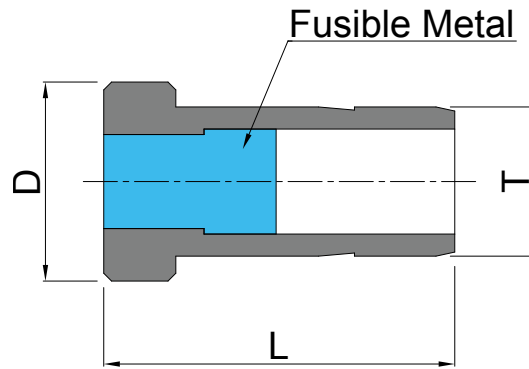
# DOUBLE FERRULE COMPRESSION FITTINGS

## FRACTIONAL TUBING FUSIBLE PLUG PFF

bulk



[Back to Index](#)



PFF SERIES

PART No.	Tube OD, T	L	D	Melting temperature °C
	inch			
P-4-PFF-71	1/4"	20.6	9.5	71
P-4-PFF-124	1/4"	20.6	9.5	124
P-4-PFF-138	1/4"	20.6	9.5	138
P-6-PFF-71	3/8"	22.4	12.7	71
P-6-PFF-124	3/8"	22.4	12.7	124
P-6-PFF-138	3/8"	22.4	12.7	138
P-8-PFF-71	1/2"	28.4	15.9	71
P-8-PFF-124	1/2"	28.4	15.9	124
P-8-PFF-138	1/2"	28.4	15.9	138

Maximum working pressure is 250psig (17.3bar)



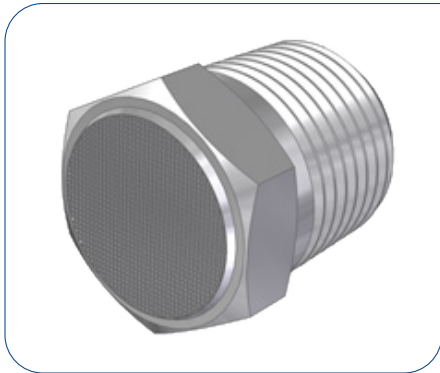
bulk

# DOUBLE FERRULE COMPRESSION FITTINGS

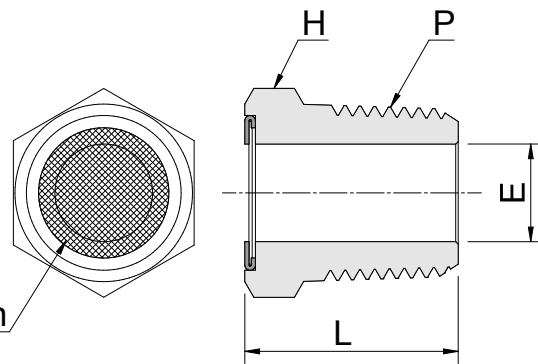
VENT PROTECTOR VP (NPT THREAD)

[Back to Index](#)

VP SERIES



40 mesh wire screen



PART No.	P	E	H (HEX)	L
	NPT	mm	mm	mm
4-VP	1/4"	7.11	15.87	20.57
6-VP	3/8"	10.40	17.46	20.57
8-VP	1/2"	12.70	23.81	26.92
12-VP	3/4"	16.00	26.98	28.70

## Our Catalogues

Each catalogue is designed to facilitate consultation and support informed decision. Our goal is to offer not only high-quality products, but also comprehensive and accessible support, meeting the needs of those looking for reliable and high-performance solutions.

### DOUBLE FERRULE TUBE FITTINGS



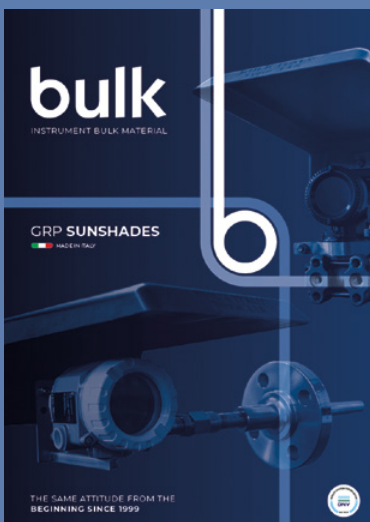
[Click to download >](#)

### GRP ENCLOSURES



[Click to download >](#)

### GRP SUNSHADES



[Click to download >](#)

### INSTRUMENT MANIFOLDS



[Click to download >](#)



**BULK srl**  
**Instrument bulk material**

via Giotto, 7  
20032 Cormano (MI) - Italy  
Ph. +39 02 66 30 75 14  
Ph. +39 02 66 30 74 30  
e-mail: [info@bulksrl.it](mailto:info@bulksrl.it)

[www.bulksrl.it](http://www.bulksrl.it)

