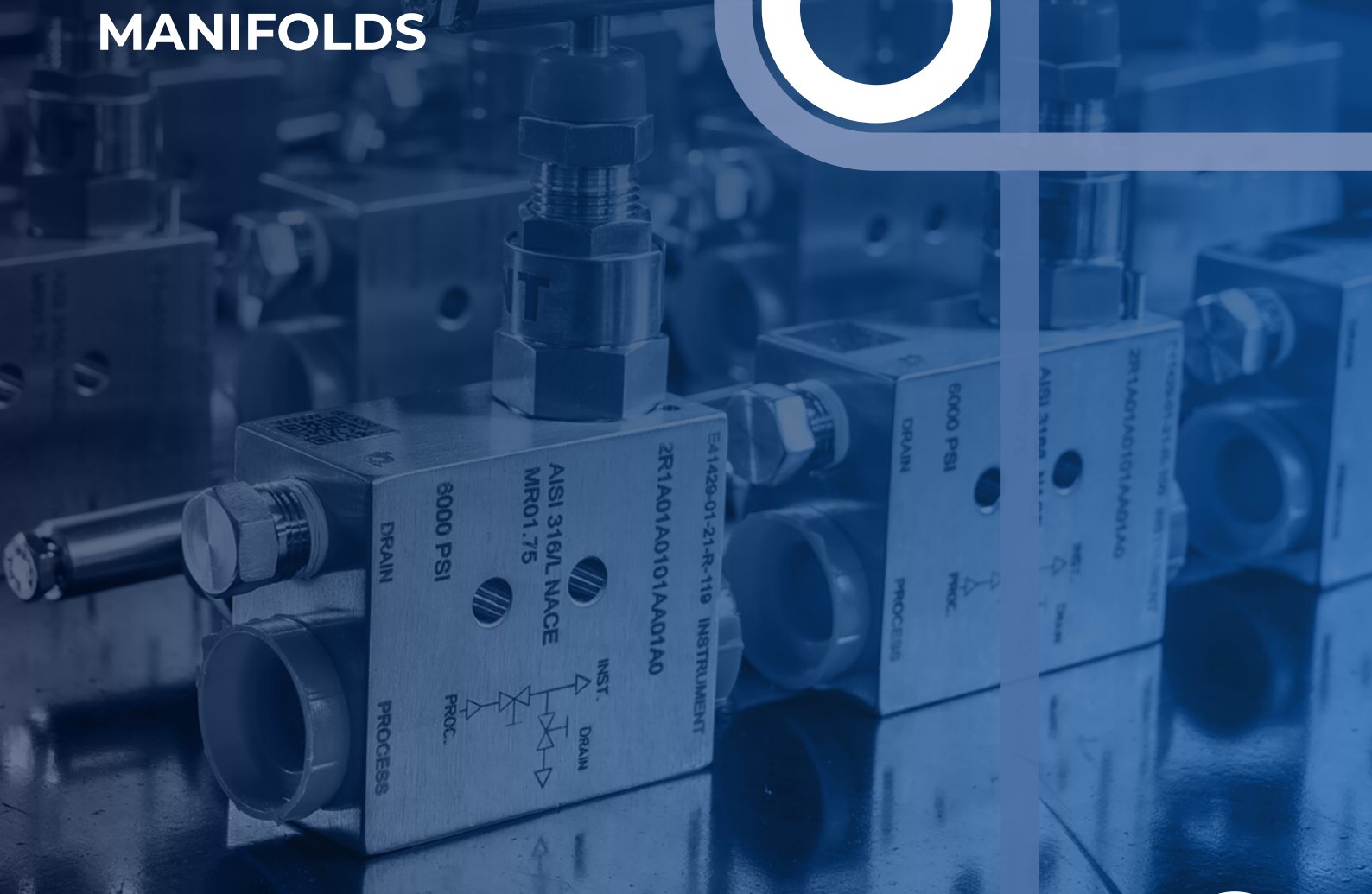


# bulk

INSTRUMENT BULK MATERIAL

## INSTRUMENT MANIFOLDS



THE SAME ATTITUDE FROM THE  
**BEGINNING SINCE 1999**



# Welcome to **BULK**

**BULK srl** has been serving the market since 1999, providing high quality products and solutions worldwide.

Our customers, located in more than 65 countries, include most of the biggest players in the Oil & Gas industries.
























**BULK srl**, an ISO 9001 certified company, manufactures:
























-  **GRP INSTRUMENT ENCLOSURES**
-  **GRP INSTRUMENT SUNSHADES**
-  **INSTRUMENT MANIFOLDS**
-  **DOUBLE FERRULE COMPRESSION FITTINGS**

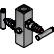

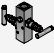














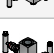



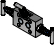

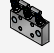




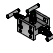






















Description	Page
GENERAL INFORMATION	4
OPTIONS	6


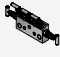











Description	Model	Page
<b>NEEDLE VALVES</b>		
 NEEDLE VALVE THREADED FEMALE/FEMALE 	1VS	8
 NEEDLE VALVE THREADED MALE/FEMALE 	2VS	9
 NEEDLE VALVE THREADED FEMALE/MALE	3VS	10
 NEEDLE VALVE THREADED MALE/MALE	4VS	11
 NEEDLE VALVE WITH COMPRESSION FITTINGS	5VS	12
 NEEDLE VALVE 90° THREADED MALE /FEMALE	7VS	13
<b>NEEDLE VALVES WITH DRAIN</b>		
 NEEDLE VALVE WITH DRAIN THREADED FEMALE/FEMALE 	1VSP	14
 NEEDLE VALVE WITH DRAIN THREADED MALE/FEMALE 	2VSP	15
 NEEDLE VALVE WITH DRAIN THREADED FEMALE/MALE	3VSP	16
 NEEDLE VALVE WITH DRAIN THREADED MALE/FEMALE + DRAIN SCREW	5VSP	17
 NEEDLE VALVE WITH DRAIN THREADED MALE/FEMALE + TEST FLANGE	6VSP	18
<b>GAUGE VALVES</b>		
 GAUGE VALVE THREADED MALE X FEMALE SWIVEL/COUPLING	PGV M-F	19
 GAUGE VALVE THREADED FEMALE X FEMALE COUPLING	PGV F-F	20
 GAUGE VALVE THREADED MALE X FEMALE SWIVEL WITH TEST PORT	PGV2	21
<b>MULTIPOINT VALVES</b>		
 MULTIPOINT VALVE THREADED MALE /FEMALE 	1VSPM	22
 MULTIPOINT VALVE EXTENDED BODY THREADED MALE /FEMALE 	2VSPM	23
 MULTIPOINT VALVE EXTENDED BODY THREADED FEMALE/FEMALE	3VSPM	24



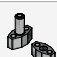






Description	Model	Page
<b>2-VALVES MANIFOLD DIRECT MOUNTING</b>		
 2-VALVES MANIFOLD DIRECT MOUNTING X FEMALE THREAD	2D1	25
 2-VALVES MANIFOLD DIRECT MOUNTING X FEMALE THREAD C/W FIXING HOLES 	2D1MH	26
 2-VALVES MANIFOLD DIRECT MOUNTING X FEMALE THREAD	2D2	27
 2-VALVES MANIFOLD DIRECT MOUNTING X FEMALE THREAD C/W FIXING HOLES	2D2MH	28
 2-VALVES MANIFOLD DIRECT MOUNTING X FLANGED	2D3	29
 2-VALVES MANIFOLD DIRECT MOUNTING X FLANGED C/W FIXING HOLES	2D3MH	30
 2-VALVES MANIFOLD DIRECT MOUNTING X FEMALE THREAD	2D4	31
 2-VALVES MANIFOLD DIRECT MOUNTING X FEMALE THREAD C/W FIXING HOLES	2D4MH	32
 2-VALVES MANIFOLD DIRECT MOUNTING X FEMALE THREAD	2D5	33
 2-VALVES MANIFOLD DIRECT MOUNTING X FLANGED	2D9	34
 2-VALVES MANIFOLD DIRECT MOUNTING X FEMALE THREAD	2D10	35
 2-VALVES MANIFOLD DIRECT MOUNTING X FEMALE THREAD	2D11	36
 2-VALVES MANIFOLD DIRECT MOUNTING X FEMALE THREAD	2D12	37
<b>2-VALVES MANIFOLD REMOTE MOUNTING</b>		
 2-VALVES MANIFOLD REMOTE MOUNTING THREADED FEMALE/FEMALE 	2R1	38
 2-VALVES MANIFOLD REMOTE MOUNTING THREADED FEMALE/FEMALE 	2R2	39
 2-VALVES COMPACT MANIFOLD REMOTE MOUNTING THREADED FEMALE/FEMALE 	2R3	40
 2-VALVES MANIFOLD REMOTE MOUNTING THREADED FEMALE/FEMALE	2R4	41
 2-VALVES MANIFOLD REMOTE MOUNTING THREADED FEMALE/FEMALE 	2R5	42

Description	Model	Page
 2-VALVES MANIFOLD REMOTE MOUNTING THREADED FEMALE/FEMALE 	2R6	43
 2-VALVES MANIFOLD REMOTE MOUNTING THREADED FEMALE/FEMALE C/W FIXING HOLES	2R6MH	44
 2-VALVES MANIFOLD REMOTE MOUNTING THREADED FEMALE/MALE 	2R7	45
 2-VALVES MANIFOLD REMOTE MOUNTING THREADED FEMALE/MALE C/W FIXING HOLES	2R7MH	46
 2-VALVES MANIFOLD REMOTE MOUNTING THREADED MALE/FEMALE 	2R8	47
 2-VALVES MANIFOLD REMOTE MOUNTING THREADED MALE/FEMALE C/W FIXING HOLES	2R8MH	48
 2-VALVES MANIFOLD REMOTE MOUNTING THREADED MALE/MALE	2R9	49
 2-VALVES MANIFOLD REMOTE MOUNTING THREADED MALE/MALE C/W FIXING HOLES	2R9MH	50
 2-VALVES MANIFOLD REMOTE MOUNTING THREADED FEMALE/FEMALE AT 90°	2R10	51
 2-VALVES MANIFOLD REMOTE MOUNTING THREADED FEMALE/FEMALE AT 90°	2R11	52
 2-VALVES MANIFOLD REMOTE MOUNTING THREADED FEMALE/SWIVEL	2R15	53
 2-VALVES MANIFOLD REMOTE MOUNTING THREADED MALE/FEMALE	2R16	54
 2-VALVES MANIFOLD REMOTE MOUNTING THREADED MALE/FEMALE	2R17	55
 2-VALVES MANIFOLD REMOTE MOUNTING THREADED FEMALE/FEMALE + TEST PORT	2R18	56
 2-VALVES COMPACT MANIFOLD REMOTE MOUNTING THREADED FEMALE/FEMALE	2R19	57
 2-VALVES MANIFOLD REMOTE MOUNTING THREADED FEMALE/FEMALE	2R20	58
 2-VALVES MANIFOLD REMOTE MOUNTING THREADED FEMALE/MALE	2R22	59
 2-VALVES MANIFOLD REMOTE MOUNTING THREADED FEMALE/MALE	2R24	60
 2-VALVES MANIFOLD REMOTE MOUNTING THREADED FEMALE/FEMALE	2R25	61
<b>3-VALVES MANIFOLD DIRECT MOUNTING</b>		
 3-VALVES MANIFOLD DIRECT MOUNTING X FEMALE THREAD 	3D5	62
 3-VALVES MANIFOLD DIRECT MOUNTING X FEMALE THREAD	3D1	63
 3-VALVES MANIFOLD DIRECT MOUNTING X FEMALE THREAD	3D2	64

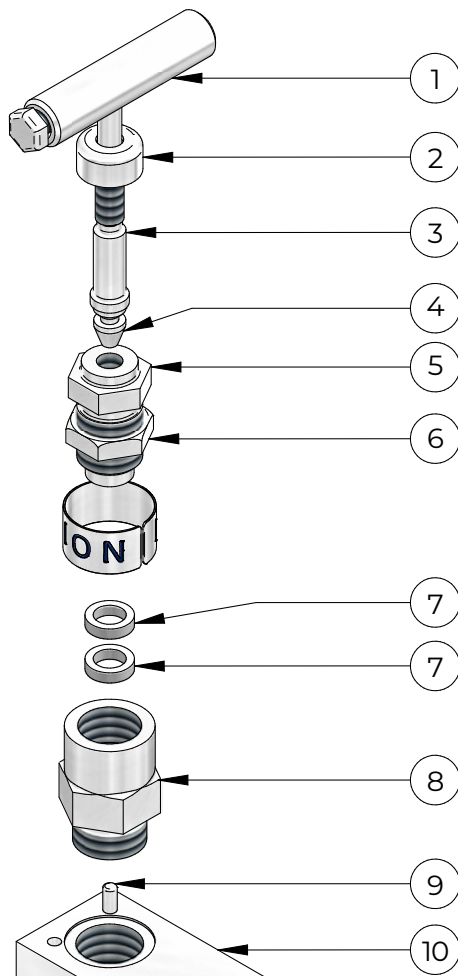
Description	Model	Page
 3-VALVES MANIFOLD DIRECT MOUNTING X FEMALE THREAD C/W FIXING HOLES	3D3	65
 3-VALVES MANIFOLD DIRECT MOUNTING X FLANGED	3D4	66
 3-VALVES MANIFOLD DIRECT MOUNTING X FLANGED C/W FIXING HOLES	3D4MH	67
 3-VALVES MANIFOLD DIRECT MOUNTING X FEMALE THREAD	3D7	68
 3-VALVES COMPACT MANIFOLD DIRECT MOUNTING X FEMALE THREAD	3D9	69
<b>3-VALVES MANIFOLD REMOTE MOUNTING</b>		
 3-VALVES MANIFOLD REMOTE MOUNTING THREADED FEMALE/FEMALE 	3R1	70
 3-VALVES MANIFOLD REMOTE MOUNTING THREADED FEMALE/FEMALE	3R2	71
 3-VALVES MANIFOLD REMOTE MOUNTING THREADED FEMALE/SWIVEL	3R3	72
<b>4-VALVES MANIFOLD DIRECT MOUNTING</b>		
 4-VALVES MANIFOLD DIRECT MOUNTING X FEMALE THREAD	4D1	73
<b>5-VALVES MANIFOLD DIRECT MOUNTING</b>		
 5-VALVES MANIFOLD DIRECT MOUNTING X FEMALE THREAD 	5D1	74
 5-VALVES MANIFOLD DIRECT MOUNTING X FEMALE THREAD	5D2	75
 5-VALVES MANIFOLD DIRECT MOUNTING X FLANGED	5D3	76
 5-VALVES MANIFOLD DIRECT MOUNTING X FLANGED C/W FIXING HOLES	5D3MH	77
 5-VALVES MANIFOLD DIRECT MOUNTING X FEMALE THREAD	5D4	78
 5-VALVES MANIFOLD DIRECT MOUNTING X FLANGED	5D6	79
 5-VALVES MANIFOLD DIRECT MOUNTING X FLANGED	5D7	80
 5-VALVES MANIFOLD DIRECT MOUNTING X FEMALE THREAD	5D8	81
 5-VALVES COMPACT MANIFOLD DIRECT MOUNTING X FEMALE THREAD	5D10	82
 5-VALVES MANIFOLD DIRECT MOUNTING X FEMALE THREAD	5D11	83
 5-VALVES MANIFOLD DIRECT MOUNTING X FEMALE THREAD	5D14	84



	Description	Model	Page
	5-VALVES MANIFOLD DIRECT MOUNTING X FEMALE THREAD	5D15	85
	5-VALVES MANIFOLD DIRECT MOUNTING X FEMALE THREAD + DOUBLE EQUALIZING	5D16	86
<b>5-VALVES MANIFOLD REMOTE MOUNTING</b>			
	5-VALVES MANIFOLD REMOTE MOUNTING THREADED FEMALE/FEMALE 	5R1	87
	5-VALVES MANIFOLD REMOTE MOUNTING THREADED FEMALE/FEMALE	5R2	88
	5-VALVES MANIFOLD REMOTE MOUNTING THREADED FEMALE/FEMALE	5R3	89
	5-VALVES MANIFOLD REMOTE MOUNTING THREADED FEMALE/FEMALE	5R5	90
	5-VALVES MANIFOLD REMOTE MOUNTING THREADED FEMALE/SWIVEL	5R6	91
<b>DOUBLE BLOCK AND BLEED</b>			
	3-VALVES DOUBLE BLOCK & BLEED THREADED FEMALE/FEMALE	3DBBFF	92
	3-VALVES DOUBLE BLOCK & BLEED THREADED FEMALE/MALE	3DBBFM	93
	3-VALVES DOUBLE BLOCK & BLEED THREADED MALE/MALE	3DBBMM	94
<b>MONOFLANGE</b>			
	MONOFLANGE SINGLE BLOCK & BLEED	MFSB	95
	MONOFLANGE DOUBLE BLOCK & BLEED	MFDB	96

	Description	Model	Page
<b>ACCESSORIES</b>			
	MOUNTING BRACKETS		97
	BOLTS		98
	OVAL FLANGES		100
	3-PIECES SWIVELS		101
	FLUSHING RINGS		102
	BLEED VALVES		103
	BLEED PLUGS		104
	ADAPTERS FEMALE/MALE - NPT/BSPP		105
	INSTRUMENT ENCLOSURES AND SUNSHADES		106

BULK srl, an ISO 9001 certified company, has been manufacturing instrument manifolds and gauge valves since 1999. All products meet the requirements of NACE MR0175 (as standard) or NACE MR0103 (on request).



- 1) T bar handle made of AISI 304
- 2) Dust cap made of high density plastic (with PTFE packing) or metal (with graphoil packing)
- 3) Stem made of AISI 316/L
- 4) Needle made of AISI 316/L
- 5) Gland nut made of AISI 316/L
- 6) Lock nut made of AISI 316/L
- 7) Packing made of PTFE (max temperature 200°C) or graphoil (max temperature 500°C) + AISI 316/L
- 8) Bonnet made of AISI 316/L
- 9) Lock pin made of AISI 304
- 10) Body made of AISI 316/L

**COLOUR CODED FUNCTIONAL IDENTIFICATION**

ISOLATION  
DUST CAP



EQUALIZING  
DUST CAP



VENT  
DUST CAP



**NOTES:**

- Upon request, all parts are available in the same material as the body
- Other materials are available on request



[Back to Index](#)

### INSTALLATION:

- 1.1 Remove the manifold from the shipping box, checking that the part number stamped on the body corresponds to the one specified on your order.
- 1.2 Prior to manifold installation, check that the piping to which the manifold is to be connected is clean and remove any foreign matter such as processing residues, debris, dirt, etc.
- 1.3 All pipe and fitting connections must be tightened thoroughly. NPT pipe joints depend on proper, smooth engagement between the male and female threads, generally using a thread sealant. For a flanged/direct mounting, the connection must be made using bolts and O-rings supplied with manifold.

### OPERATION:

- 2.1 Manifolds which have been reasonably matched to a typical service application and properly installed in its piping system can be expected to have a long service life. However, manifolds contain moving parts and components subject to wear, and their performance depends on the long-term preservation of highly finished surfaces on the stem and bonnet body.
- 2.2 The manifold's handles have been designed to provide an adequate seating force to maintain a seal at its maximum working pressure without use of additional mechanical advantage. The use of other tools to operate the manifold is not necessary and can cause damage to the manifold.
- 2.3 All manifolds are equipped with rising stems featuring a right-hand thread. Rotate the handle clockwise to close the manifold, counter-clockwise to open it.

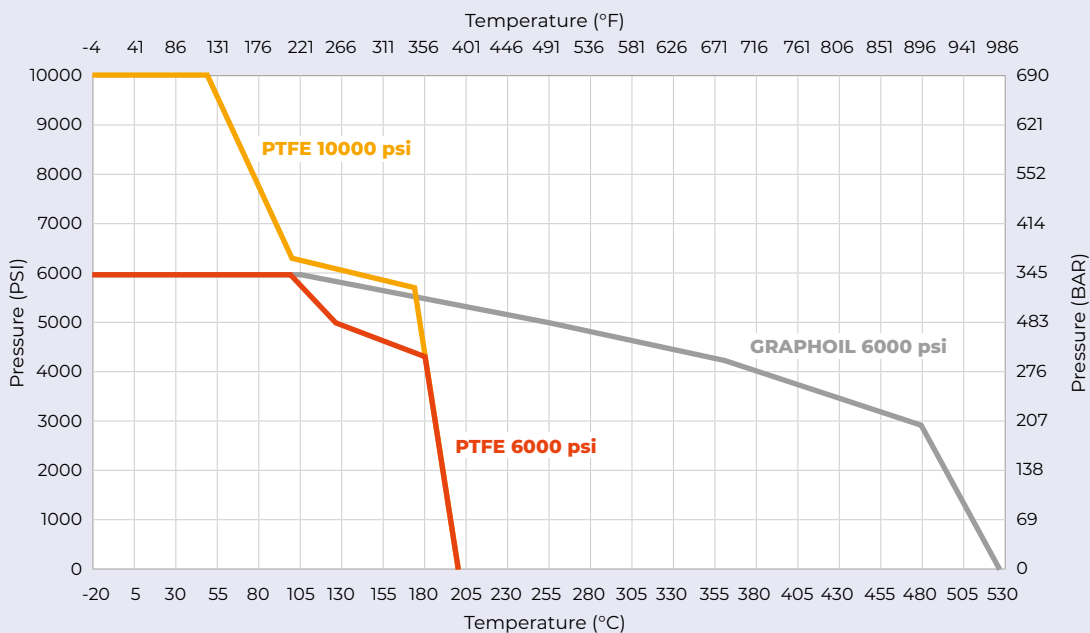
### MAINTENANCE:

- 3.1 Manifolds which are kept in the same position for a long time may be subject to aging of their packing surfaces, loss of operability due to the depletion of effective thread lubricants, corrosion of moving part or build-up of harmful solids. Scheduling a periodic cycle of operation for such manifolds can be helpful.
- 3.2 Stem seal leakage generally results from seal wear and can usually be corrected by adjusting the stem seal.

### STEM PACKING ADJUSTMENT:

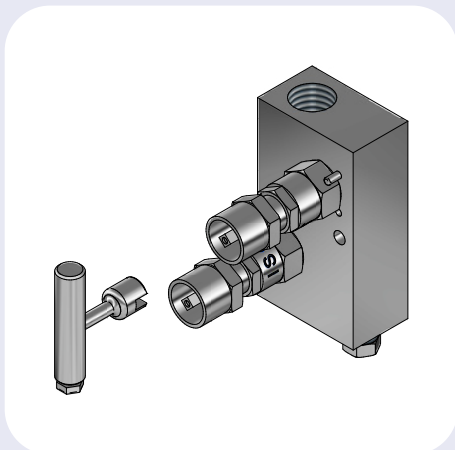
- 4.1 This adjustment can be performed safely while the manifold is under pressure. Refer to the drawing in design feature for the corresponding part names (handle, lock nut, ...).
- 4.2 Turn the handle assembly counter-clockwise until the manifold is fully open. This operation must be performed prior to adjusting the packing.
- 4.3 Loosen the lock nut by turning it counter-clockwise.
- 4.4 Tighten the gland nut (packing adjuster) by slowly turning it clockwise, until the leak is corrected.  
CAUTION: if the gland nut will not turn with reasonable force, it has bottomed out and the manifold can't be serviced; it must be substituted or sent back for manufacturer inspection.
- 4.5 Re-tighten the lock nut.
- 4.6 Operate the stem from fully open to fully closed, to ensure that the leak has been corrected.
- 4.7 The manifold is ready for normal operation; the stem must be placed in the required operating position.

### PRESSURE RATING VS TEMPERATURE



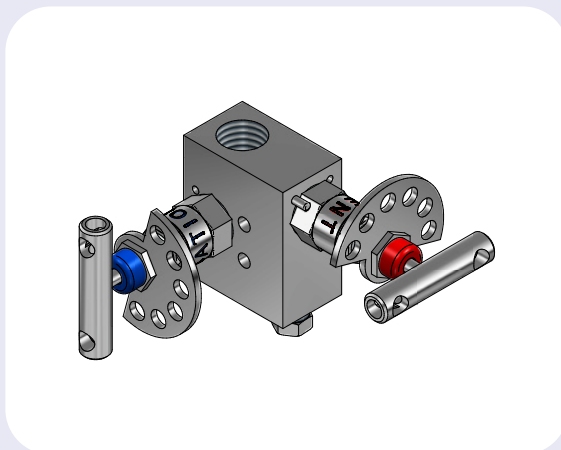
### ANTITAMPER:

One or more valves can be supplied complete with antitamper to avoid unauthorized operations.



### LOCKABLE VALVE:

One or more valves can be supplied complete with lockable device to avoid unauthorized operations (padlock not included).



### PANEL MOUNTING:

Needle valves are available with panel mounting nut.

### EXTENDED STEM:

For cryogenic applications, manifolds can be supplied with extended bonnets to keep the packing away from the cold area.

### CONNECTIONS:

Standard connections are NPT but a wide range of different options is also available:

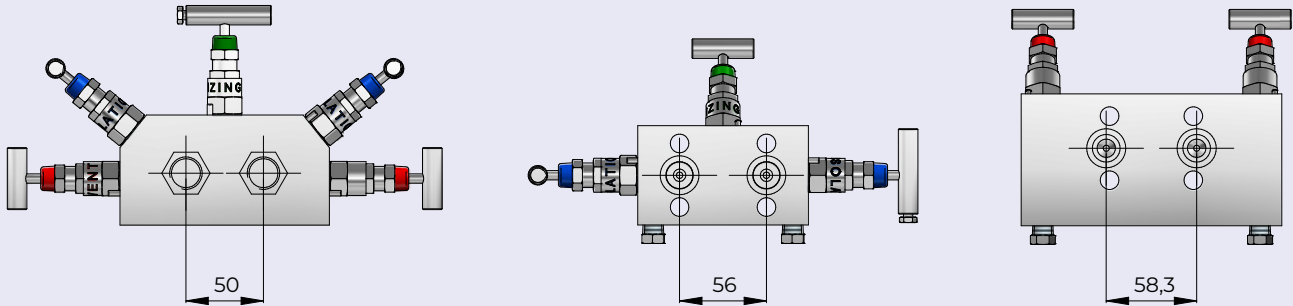
- Parallel thread BSPP
- Tapered thread BSPT
- Metric thread M20
- Butt welding (BW)
- Socket welding (SW)



[Back to Index](#)

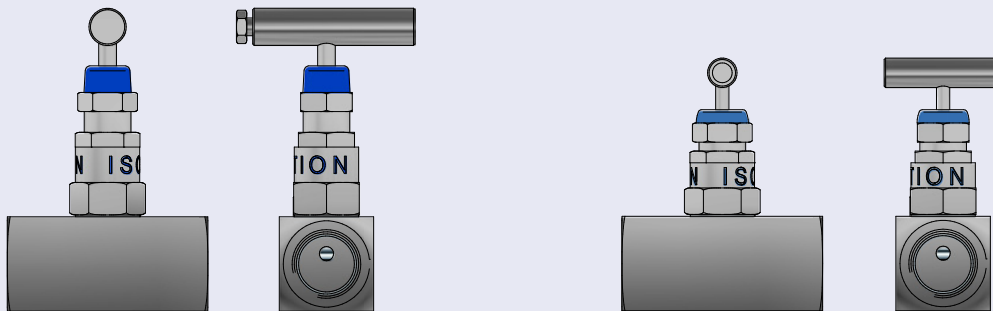
### NOT STANDARD CENTRE TO CENTRE DISTANCE:

3-valves and 5-valves manifolds are also available with centre-to-centre distance of 50 mm, 56 mm or 58,3 mm instead of the standard 54 mm.



### MINI VALVES:

All manifolds are available with reduced dimensions valves.



STANDARD VALVES

MINI VALVES

### OIL FREE CLEANING:

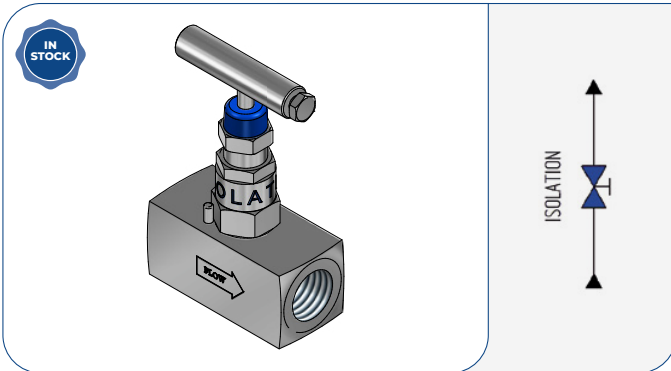
Oxygen applications require a deep cleaning of all manifold components. After the cleaning operation, manifolds are sealed, packed and labelled.



### PMI (POSITIVE MATERIAL IDENTIFICATION):

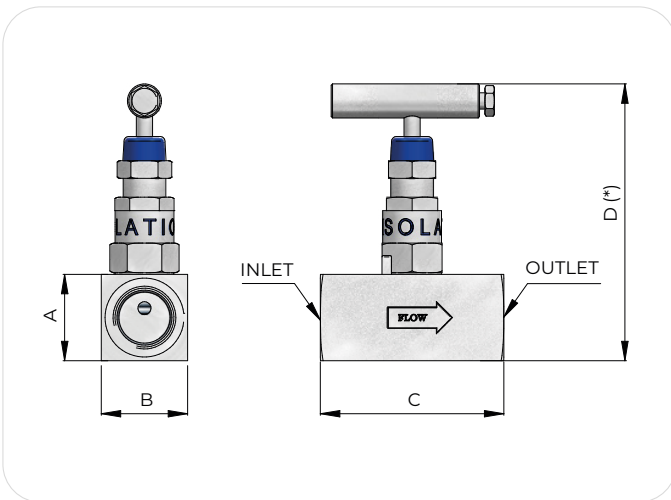
An in-house PMI machine is available for material grade test.





**Technical Features:**

- Bar stock body
- Non-Rotating plug tip
- Lock pin to prevent accidental loosening of bonnet
- Dust cap for stem protection
- Externally adjustable gland
- PED-ATEX-EAC



**PRESSURE RATING 6000 PSI**

INLET/OUTLET	A	B	C	D(*)
1/8" NPT-F	28,5	28,5	60	100
1/4" NPT-F	28,5	28,5	60	100
3/8" NPT-F	28,5	28,5	60	100
1/2" NPT-F	32	32	68	103
3/4" NPT-F	38	38	76	120
1" NPT-F	45	45	89	129

(\*) APPROXIMATELY WITH VALVE FULLY OPEN

**How to order:**

MANIFOLD SERIE	PRESSURE RATING	BODY MATERIAL	PACKING MATERIAL	INLET (PROCESS)	OUTLET (INSTRUMENT)	DRAIN	OPTIONS	ACCESSORIES	SPECIAL EXECUTIONS
IVS	A: 6000 psi (5 mm bore)	01: AISI 316/L	A: PTFE (up to 200°C at 20 bar)	01: 1/2" NPT-F	01: 1/2" NPT-F		A: No option		
		08: Monel 400							
		09: Hastelloy C276							
		10: Inconel 625							
	B: 10000 psi (4 mm bore) (Available with PTFE gasket only)	11: Inconel 825	B: Graphoil (up to 500°C at 20 bar)	03: 1/2" BSPP-F	03: 1/2" BSPP-F	H: No drain	B: NACE MR0103	01: No accessories	A0: Not required
		12: F51 UNS S31803							
		13: F53 UNS S32750							
		14: F55 UNS S32760							
16: 6Mo UNS S31254						C: Degreased for O <sub>2</sub>			

• Other materials and connections are available on request

• Example of part number: **IVS A 01 A 03 03 H A 01 A0**

NEEDLE VALVE SERIE IVS-RATING 6.000 psi-WETTED PARTS IN AISI 316/L-PTFE PACKING-INLET AND OUTLET 1/2"BSPP-F-NO DRAIN-NO OPTION-NO ACCESSORIES

• Please consult the Accessories section starting from page 97 for available accessories

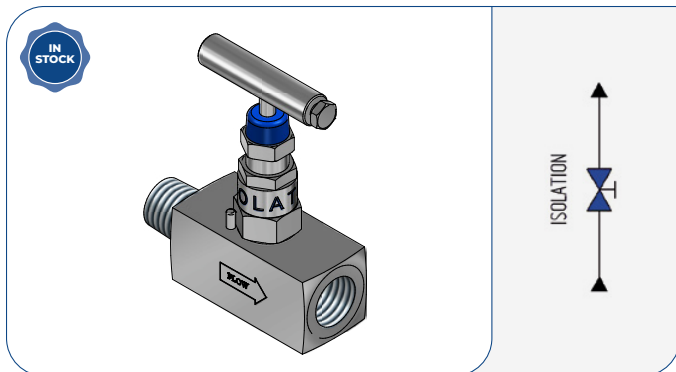
# INSTRUMENT MANIFOLDS

NEEDLE VALVE  
THREADED MALE/FEMALE

bulk



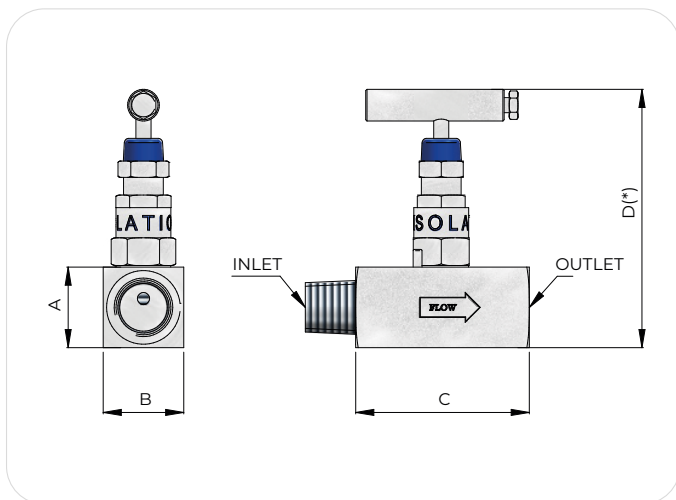
[Back to Index](#)



### Technical Features:

- Bar stock body
- Non-Rotating plug tip
- Lock pin to prevent accidental loosening of bonnet
- Dust cap for stem protection
- Externally adjustable gland
- PED-ATEX-EAC

NEEDLE VALVES  
2VS SERIE



PRESSURE RATING 6000 PSI					
INLET	OUTLET	A	B	C	D(*)
1/8" NPT-M	1/8" NPT-F	28,5	28,5	76	100
1/4" NPT-M	1/4" NPT-F	28,5	28,5	76	100
3/8" NPT-M	3/8" NPT-F	28,5	28,5	76	100
1/2" NPT-M	1/2" NPT-F	32	32	89	103
3/4" NPT-M	3/4" NPT-F	38	38	89	120
1" NPT-M	1" NPT-F	45	45	100	130

(\*) APPROXIMATELY WITH VALVE FULLY OPEN

### How to order:

MANIFOLD SERIE	PRESSURE RATING	BODY MATERIAL	PACKING MATERIAL	INLET (PROCESS)	OUTLET (INSTRUMENT)	DRAIN	OPTIONS	ACCESSORIES	SPECIAL EXECUTIONS	
2VS	A: 6000 psi (5 mm bore)	01: AISI 316/L	A: PTFE (up to 200°C at 20 bar)	02: 1/2" NPT-M	01: 1/2" NPT-F		A: No option			
		08: Monel 400								
		09: Hastelloy C276								
		10: Inconel 625								
		11: Inconel 825								
		12: F51 UNS S31803								
		13: F53 UNS S32750								
		14: F55 UNS S32760								
	B: 10000 psi (4 mm bore) (Available with PTFE gasket only)	16: 6Mo UNS S31254	B: Graphoil (up to 500°C at 20 bar)	04: 1/2" BSPP-M	03: 1/2" BSPP-F		H: No drain	B: NACE MR0103	01: No accessories	A0: Not required
						C: Degreased for O <sub>2</sub>				

• Other materials and connections are available on request

• Example of part number: **2VS A 01 A 04 03 H A 01 A0**

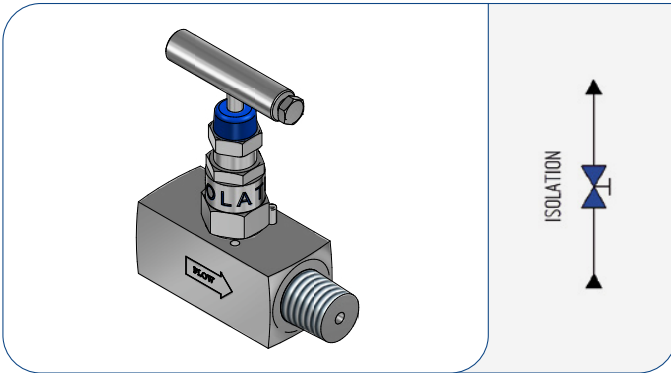
NEEDLE VALVE SERIE 2VS-RATING 6.000 psi-BODY MATERIAL IN AISI 316/L-PTFE PACKING-INLET 1/2"BSPP-M-OUTLET 1/2"BSPP-F-NO DRAIN-NO OPTION-NO ACCESSORIES

• Please consult the Accessories section starting from page 97 for available accessories



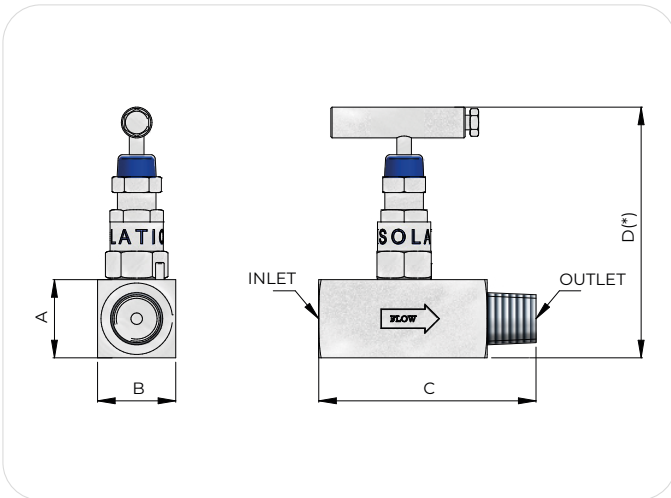
Back to Index

NEEDLE VALVES  
3VS SERIE



**Technical Features:**

- Bar stock body
- Non-Rotating plug tip
- Lock pin to prevent accidental loosening of bonnet
- Dust cap for stem protection
- Externally adjustable gland
- PED-ATEX-EAC



**PRESSURE RATING 6000 PSI**

INLET	OUTLET	A	B	C	D(*)
1/8" NPT-F	1/8" NPT-M	28,5	28,5	76	100
1/4" NPT-F	1/4" NPT-M	28,5	28,5	76	100
3/8" NPT-F	3/8" NPT-M	28,5	28,5	76	100
1/2" NPT-F	1/2" NPT-M	32	32	89	103
3/4" NPT-F	3/4" NPT-M	38	38	89	120
1" NPT-F	1" NPT-M	45	45	100	129

(\*) APPROXIMATELY WITH VALVE FULLY OPEN

**How to order:**

MANIFOLD SERIE	PRESSURE RATING	BODY MATERIAL	PACKING MATERIAL	INLET (PROCESS)	OUTLET (INSTRUMENT)	DRAIN	OPTIONS	ACCESSORIES	SPECIAL EXECUTIONS
3VS	A: 6000 psi (5 mm bore)	01: AISI 316/L	A: PTFE (up to 200°C at 20 bar)	01: 1/2" NPT-F	02: 1/2" NPT-M		A: No option		
		08: Monel 400							
		09: Hastelloy C276							
		10: Inconel 625							
		11: Inconel 825							
	B: 10000 psi (4 mm bore) (Available with PTFE gasket only)	12: F51 UNS S31803	B: Graphoil (up to 500°C at 20 bar)	03: 1/2" BSPP-F	04: 1/2" BSPP-M	H: No drain	B: NACE MR0103	01: No accessories	A0: Not required
		13: F53 UNS S32750							
		14: F55 UNS S32760							
		16: 6Mo UNS S31254							

• Other materials and connections are available on request

• Example of part number: **3VS A 01 A 03 04 H A 01 A0**

NEEDLE VALVE SERIE 3VS-RATING 6.000 psi-BODY MATERIAL IN AISI 316/L-PTFE PACKING-INLET 1/2"BSPP-F-OUTLET 1/2"BSPP-M-NO DRAIN-NO OPTION-NO ACCESSORIES

• Please consult the Accessories section starting from page 97 for available accessories

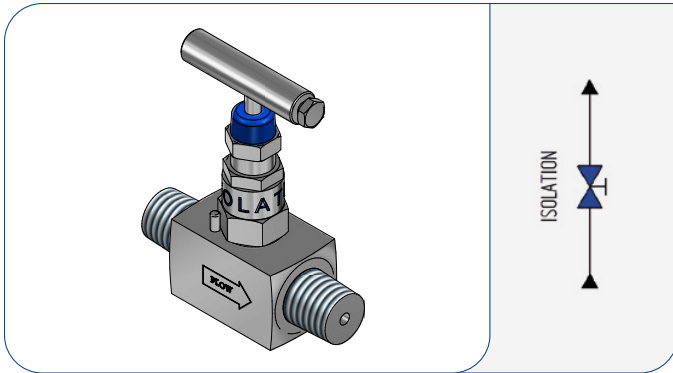
# INSTRUMENT MANIFOLDS

NEEDLE VALVE  
THREADED MALE/MALE

bulk



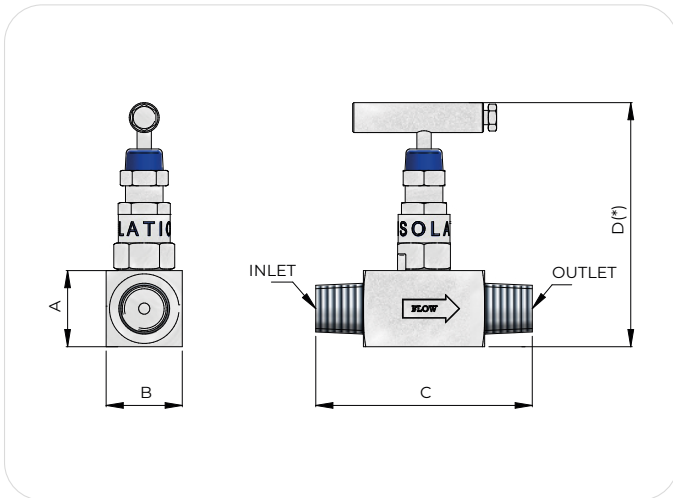
[Back to Index](#)



### Technical Features:

- Bar stock body
- Non-Rotating plug tip
- Lock pin to prevent accidental loosening of bonnet
- Dust cap for stem protection
- Externally adjustable gland
- PED-ATEX-EAC

NEEDLE VALVES  
4VS SERIE



PRESSURE RATING 6000 PSI					
INLET	OUTLET	A	B	C	D(*)
1/8" NPT-M	1/8" NPT-M	28,5	28,5	76	100
1/4" NPT-M	1/4" NPT-M	28,5	28,5	76	100
3/8" NPT-M	3/8" NPT-M	28,5	28,5	76	100
1/2" NPT-M	1/2" NPT-M	32	32	89	103
3/4" NPT-M	3/4" NPT-M	38	38	89	120
1" NPT-M	1" NPT-M	45	45	100	129

(\*) APPROXIMATELY WITH VALVE FULLY OPEN

### How to order:

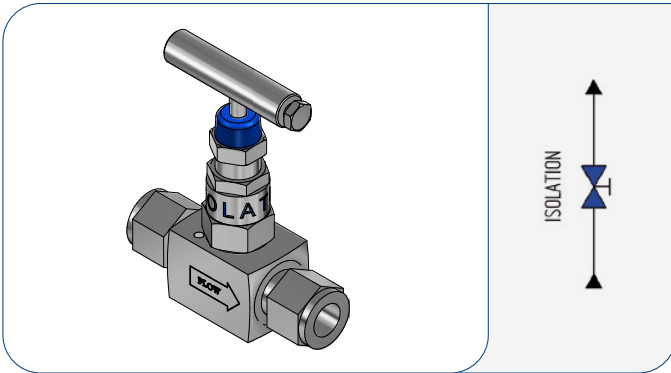
MANIFOLD SERIE	PRESSURE RATING	BODY MATERIAL	PACKING MATERIAL	INLET (PROCESS)	OUTLET (INSTRUMENT)	DRAIN	OPTIONS	ACCESSORIES	SPECIAL EXECUTIONS	
4VS	A: 6000 psi (5 mm bore)	01: AISI 316/L	A: PTFE (up to 200°C at 20 bar)	02: 1/2"NPT-M	02: 1/2"NPT-M		A: No option			
		08: Monel 400								
		09: Hastelloy C276								
		10: Inconel 625								
		11: Inconel 825								
	B: 10000 psi (4 mm bore) (Available with PTFE gasket only)	12: F51 UNS S31803	B: Graphoil (up to 500°C at 20 bar)	04: 1/2" BSPP-M	04: 1/2"BSPP-M		H: No drain	B: NACE MR0103	01: No accessories	A0: Not required
		13: F53 UNS S32750								
		14: F55 UNS S32760								
		16: 6Mo UNS S31254								
							C: Degreased for O <sub>2</sub>			

• Other materials and connections are available on request

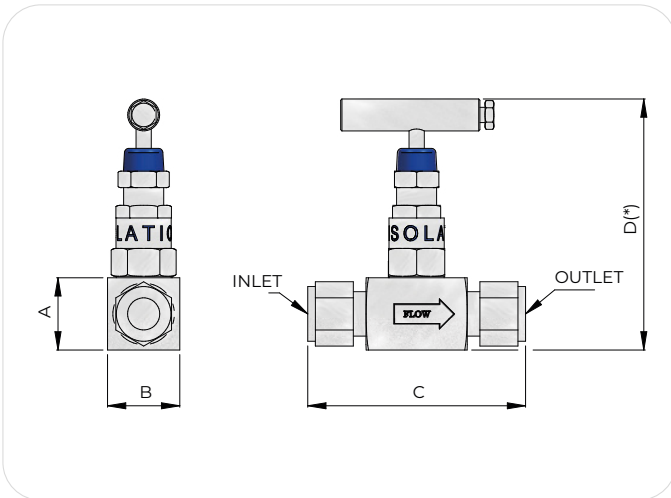
• Example of part number: **4VS A 01 A 04 04 H A 01 A0**

NEEDLE VALVE SERIE 4VS-RATING 6.000 psi-BODY MATERIAL IN AISI 316/L-PTFE PACKING-INLET AND OUTLET 1/2"BSPP-M-NO DRAIN-NO OPTION-NO ACCESSORIES

• Please consult the Accessories section starting from page 97 for available accessories


**Technical Features:**

- Bar stock body
- Non-Rotating plug tip
- Lock pin to prevent accidental loosening of bonnet
- Dust cap for stem protection
- Externally adjustable gland
- PED-ATEX-EAC


**PRESSURE RATING 6000 PSI**

INLET	OUTLET	A	B	C	D(*)
1/4" O.D.	1/4" O.D.	28,5	28,5	76	100
3/8" O.D.	3/8" O.D.	28,5	28,5	76	100
1/2" O.D.	1/2" O.D.	32	32	89	103
6 mm O.D.	6 mm O.D.	28,5	28,5	76	100
8 mm O.D.	8 mm O.D.	28,5	28,5	89	100
10 mm O.D.	10 mm O.D.	28,5	28,5	89	100
12 mm O.D.	12 mm O.D.	28,5	28,5	89	100

(\*) APPROXIMATELY WITH VALVE FULLY OPEN

**How to order:**

MANIFOLD SERIE	PRESSURE RATING	BODY MATERIAL	PACKING MATERIAL	INLET (PROCESS)	OUTLET (INSTRUMENT)	DRAIN	OPTIONS	ACCESSORIES	SPECIAL EXECUTIONS
5VS	C: Pressure rating according to tubing thickness	01: AISI 316/L	A: PTFE (up to 200°C at 20 bar)	41: 1/2" o.d.	41: 1/2" o.d.	H: No drain	A: No option	01: No accessories	A0: Not required
		08: Monel 400							
		09: Hastelloy C276							
		10: Inconel 625							
		11: Inconel 825	B: Graphoil (up to 500°C at 20 bar)	48: 12 mm o.d.	48: 12 mm o.d.	C: Degreased for O <sub>2</sub>			
		12: F51 UNS S31803							
		13: F53 UNS S32750							
		14: F55 UNS S32760							
16: 6Mo UNS S31254									

• Other materials and connections are available on request

 • Example of part number: **5VS C 01 A 48 48 H A 01 A0**

NEEDLE VALVE SERIE 5VS-PRESSURE RATING ACCORDING TO TUBING THICKNESS-BODY MATERIAL IN AISI 316/L-PTFE PACKING-INLET AND OUTLET 12 mm o.d.-NO DRAIN-NO OPTION-NO ACCESSORIES

• Please consult the Accessories section starting from page 97 for available accessories

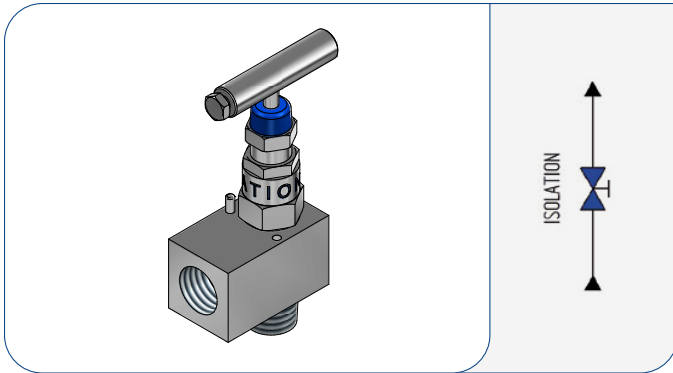
# INSTRUMENT MANIFOLDS

NEEDLE VALVE 90°  
THREADED MALE/FEMALE

bulk



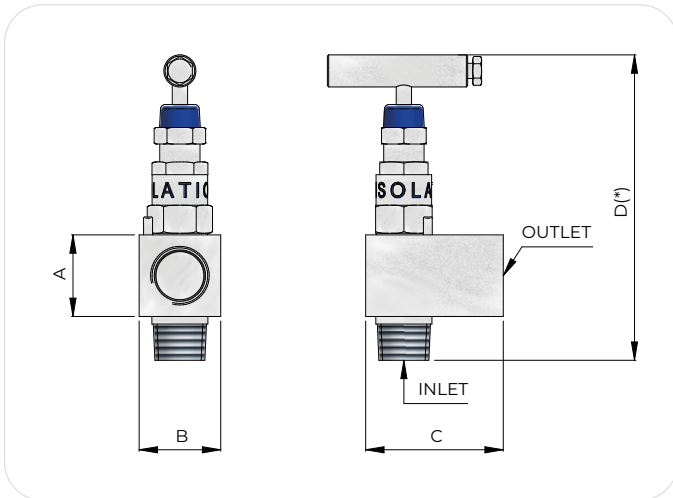
[Back to Index](#)



### Technical Features:

- Bar stock body
- Non-Rotating plug tip
- Lock pin to prevent accidental loosening of bonnet
- Dust cap for stem protection
- Externally adjustable gland
- PED-ATEX-EAC

NEEDLE VALVES  
7VS SERIE



### PRESSURE RATING 6000 PSI

INLET	OUTLET	A	B	C	D(*)
1/8" NPT-M	1/8" NPT-F	28,5	28,5	42	119
1/4" NPT-M	1/4" NPT-F	28,5	28,5	42	119
3/8" NPT-M	3/8" NPT-F	28,5	28,5	42	119
1/2" NPT-M	1/2" NPT-F	32	32	51	122
3/4" NPT-M	3/4" NPT-F	38	38	57	139
1" NPT-M	1" NPT-F	45	45	69	148

(\*) APPROXIMATELY WITH VALVE FULLY OPEN

### How to order:

MANIFOLD SERIE	PRESSURE RATING	BODY MATERIAL	PACKING MATERIAL	INLET (PROCESS)	OUTLET (INSTRUMENT)	DRAIN	OPTIONS	ACCESSORIES	SPECIAL EXECUTIONS	
7VS	A: 6000 psi (5 mm bore)	01: AISI 316/L	A: PTFE (up to 200°C at 20 bar)	02: 1/2" NPT-M	01: 1/2" NPT-F		A: No option			
		08: Monel 400								
		09: Hastelloy C276								
		10: Inconel 625								
		11: Inconel 825								
		12: F51 UNS S31803								
	B: 10000 psi (4 mm bore) (Available with PTFE gasket only)	13: F53 UNS S32750	B: Graphoil (up to 500°C at 20 bar)	04: 1/2" BSPP-M	03: 1/2" BSPP-F		H: No drain	B: NACE MR0103	01: No accessories	A0: Not required
		14: F55 UNS S32760								
		16: 6Mo UNS S31254								
						C: Degreased for O <sub>2</sub>				

• Other materials and connections are available on request

• Example of part number: **7VS A 01 A 04 03 H A 01 A0**

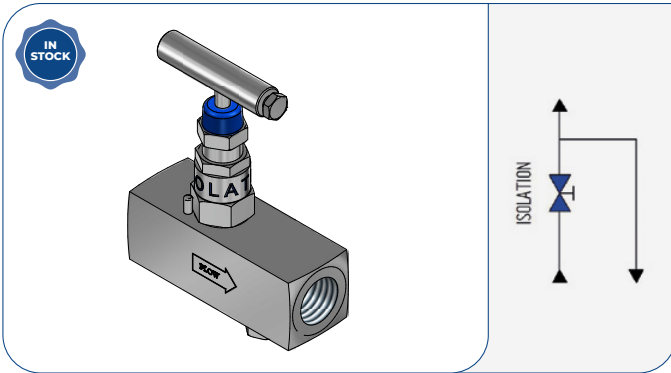
NEEDLE VALVE SERIE 7VS-RATING 6.000 psi-BODY MATERIAL IN AISI 316/L-PTFE PACKING-INLET 1/2"BSPP-M-OUTLET 1/2"BSPP-F-NO DRAIN-NO OPTION-NO ACCESSORIES

• Please consult the Accessories section starting from page 97 for available accessories



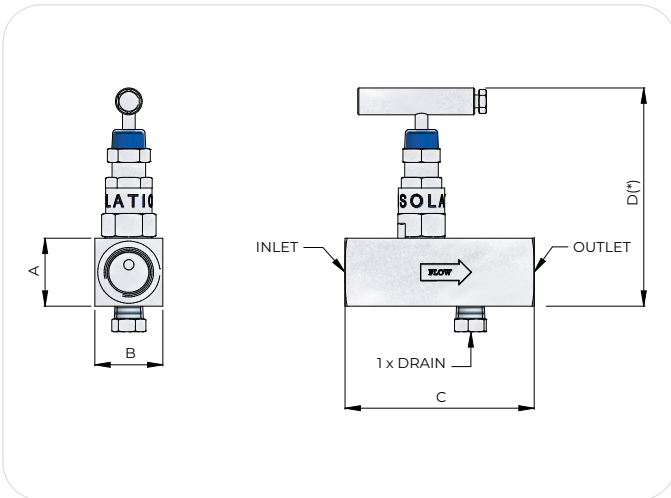
Back to Index

NEEDLE VALVES WITH DRAIN  
TVSP SERIE



Technical Features:

- Bar stock body
- Non-Rotating plug tip
- Lock pin to prevent accidental loosening of bonnet
- Dust cap for stem protection
- Externally adjustable gland
- PED-ATEX-EAC



PRESSURE RATING 6000 PSI

INLET/OUTLET	A	B	C	D(*)
1/8" NPT-F	28,5	28,5	76	100
1/4" NPT-F	28,5	28,5	76	100
3/8" NPT-F	28,5	28,5	76	100
1/2" NPT-F	32	32	89	103
3/4" NPT-F	38	38	89	120
1" NPT-F	45	45	100	129

(\*) APPROXIMATELY WITH VALVE FULLY OPEN

How to order:

MANIFOLD SERIE	PRESSURE RATING	BODY MATERIAL	PACKING MATERIAL	INLET	OUTLET	DRAIN	OPTIONS	ACCESSORIES	SPECIAL EXECUTIONS
TVSP	A: 6000 psi (5 mm bore)	01: AISI 316/L	A: PTFE (up to 200°C at 20 bar)	01: 1/2"NPT-F	01: 1/2"NPT-F	A: 1/4" NPT-F	A: No option		
		08: Monel 400							
		09: Hastelloy C276							
		10: Inconel 625							
	B: 10000 psi (4 mm bore) (Available with PTFE gasket only)	11: Inconel 825	B: Graphoil (up to 500°C at 20 bar)	03: 1/2"BSPP-F	03: 1/2"BSPP-F	B: 1/4" BSPP-F	B: NACE MR0103	01: No accessories	A0: Not required
		12: F51 UNS S31803							
		13: F53 UNS S32750							
		14: F55 UNS S32760							
16: 6Mo UNS S31254					D: 1/2" NPT-F	C: Degreased for O <sub>2</sub>			

• Other materials and connections are available on request

• Example of part number: **TVSP A 01 A 03 03 B A 01 A0**

NEEDLE VALVE SERIE TVSP-RATING 6.000 psi-BODY MATERIAL IN AISI 316/L-PTFE PACKING-INLET AND OUTLET 1/2"BSPP-F-DRAIN 1/4"BSPP-F-NO OPTION-NO ACCESSORIES

• Please consult the Accessories section starting from page 97 for available accessories

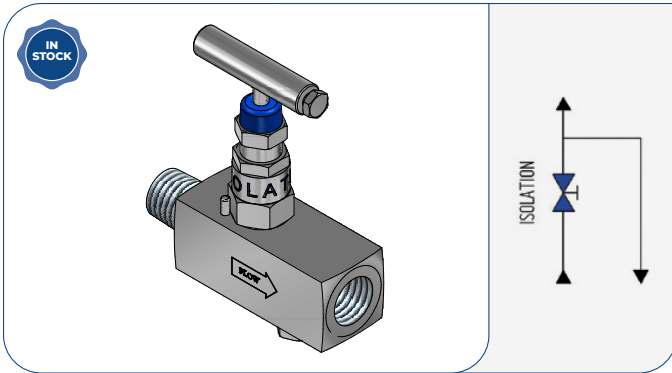
# INSTRUMENT MANIFOLDS

NEEDLE VALVE WITH DRAIN  
THREADED MALE/FEMALE

bulk



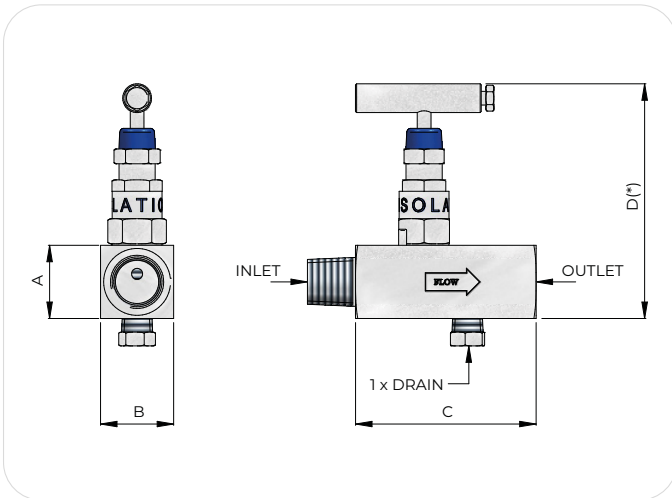
[Back to Index](#)



### Technical Features:

- Bar stock body
- Non-Rotating plug tip
- Lock pin to prevent accidental loosening of bonnet
- Dust cap for stem protection
- Externally adjustable gland
- PED-ATEX-EAC

NEEDLE VALVES WITH DRAIN  
2VSP SERIE



### PRESSURE RATING 6000 PSI

INLET	OUTLET	A	B	C	D(*)
1/8" NPT-M	1/8" NPT-F	28,5	28,5	89	100
1/4" NPT-M	1/4" NPT-F	28,5	28,5	89	100
3/8" NPT-M	3/8" NPT-F	28,5	28,5	89	100
1/2" NPT-M	1/2" NPT-F	32	32	100	103
3/4" NPT-M	3/4" NPT-F	38	38	100	120
1" NPT-M	1" NPT-F	45	45	110	129

(\*) APPROXIMATELY WITH VALVE FULLY OPEN

### How to order:

MANIFOLD SERIE	PRESSURE RATING	BODY MATERIAL	PACKING MATERIAL	INLET (PROCESS)	OUTLET (INSTRUMENT)	DRAIN	OPTIONS	ACCESSORIES	SPECIAL EXECUTIONS
2VSP	A: 6000 psi (5 mm bore)	01: AISI 316/L	A: PTFE (up to 200°C at 20 bar)	02: 1/2" NPT-M	01: 1/2" NPT-F	A: 1/4" NPT-F	A: No option		
		08: Monel 400							
		09: Hastelloy C276							
		10: Inconel 625							
		11: Inconel 825							
	B: 10000 psi (4 mm bore) (Available with PTFE gasket only)	12: F51 UNS S31803	B: Graphoil (up to 500°C at 20 bar)	04: 1/2" BSPP-M	03: 1/2" BSPP-F	B: 1/4" BSPP-F	B: NACE MR0103	01: No accessories	A0: Not required
		13: F53 UNS S32750							
		14: F55 UNS S32760							
		16: 6Mo UNS S31254							

• Other materials and connections are available on request

• Example of part number: **2VSP A 01 A 02 01 A A 01 A0**

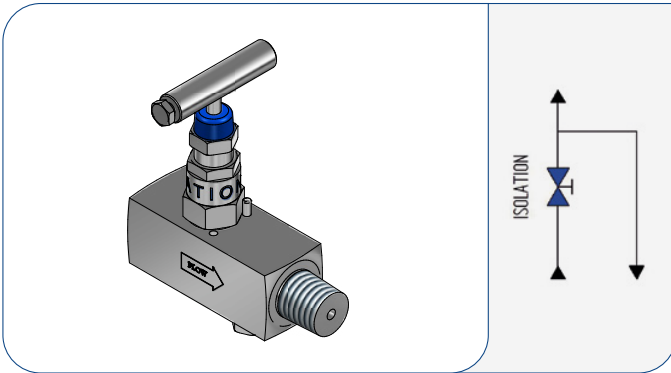
NEEDLE VALVE SERIE 2VSP-RATING 6.000 psi-WETTED PARTS IN AISI 316/L-PTFE PACKING-INLET 1/2"NPT-M-OUTLET 1/2"NPT-F-DRAIN 1/4"NPT-F-NO OPTION-NO ACCESSORIES

• Please consult the Accessories section starting from page 97 for available accessories



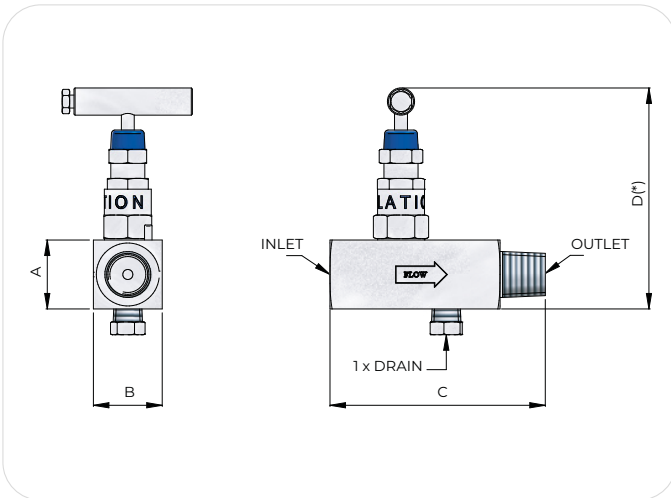
Back to Index

NEEDLE VALVES WITH DRAIN  
3VSP SERIE



**Technical Features:**

- Bar stock body
- Non-Rotating plug tip
- Lock pin to prevent accidental loosening of bonnet
- Dust cap for stem protection
- Externally adjustable gland
- PED-ATEX-EAC



**PRESSURE RATING 6000 PSI**

INLET	OUTLET	A	B	C	D(*)
1/8" NPT-F	1/8" NPT-M	28,5	28,5	89	100
1/4" NPT-F	1/4" NPT-M	28,5	28,5	89	100
3/8" NPT-F	3/8" NPT-M	28,5	28,5	89	100
1/2" NPT-F	1/2" NPT-M	32	32	100	103
3/4" NPT-F	3/4" NPT-M	38	38	100	120
1" NPT-F	1" NPT-M	45	45	110	129

(\*) APPROXIMATELY WITH VALVE FULLY OPEN

**How to order:**

MANIFOLD SERIE	PRESSURE RATING	BODY MATERIAL	PACKING MATERIAL	INLET (PROCESS)	OUTLET (INSTRUMENT)	DRAIN	OPTIONS	ACCESSORIES	SPECIAL EXECUTIONS
3VSP	A: 6000 psi (5 mm bore)	01: AISI 316/L	A: PTFE (up to 200°C at 20 bar)	01: 1/2" NPT-F	02: 1/2" NPT-M	A: 1/4" NPT-F	A: No option		
		08: Monel 400							
		09: Hastelloy C276							
		10: Inconel 625							
	B: 10000 psi (4 mm bore) (Available with PTFE gasket only)	11: Inconel 825	B: Graphoil (up to 500°C at 20 bar)	03: 1/2" BSPP-F	04: 1/2" BSPP-M	B: 1/4" BSPP-F	B: NACE MR0103	01: No accessories	A0: Not required
		12: F51 UNS S31803							
		13: F53 UNS S32750							
		14: F55 UNS S32760							
	16: 6Mo UNS S31254				D: 1/2" NPT-F	C: Degreased for O <sub>2</sub>			

• Other materials and connections are available on request

• Example of part number: **3VSP A 01 A 01 02 A A 01 A0**  
NEEDLE VALVE SERIE 3VSP-RATING 6.000 psi-WETTED PARTS IN AISI 316/L-PTFE PACKING-INLET 1/2"NPT-F-OUTLET 1/2"NPT-M-DRAIN 1/4"NPT-F-NO OPTION-NO ACCESSORIES

• Please consult the Accessories section starting from page 97 for available accessories

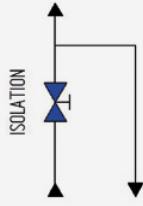
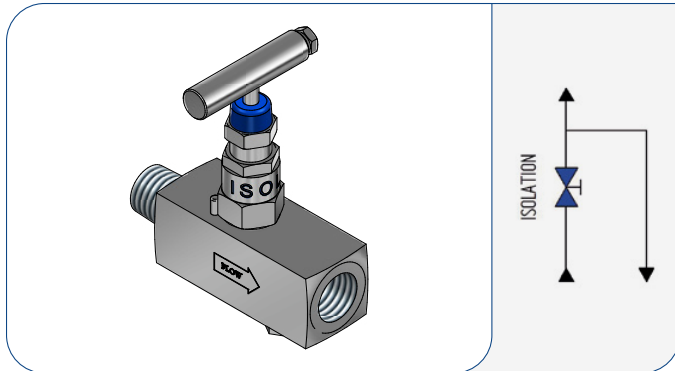
# INSTRUMENT MANIFOLDS

NEEDLE VALVE WITH DRAIN  
THREADED MALE/FEMALE + DRAIN SCREW

bulk



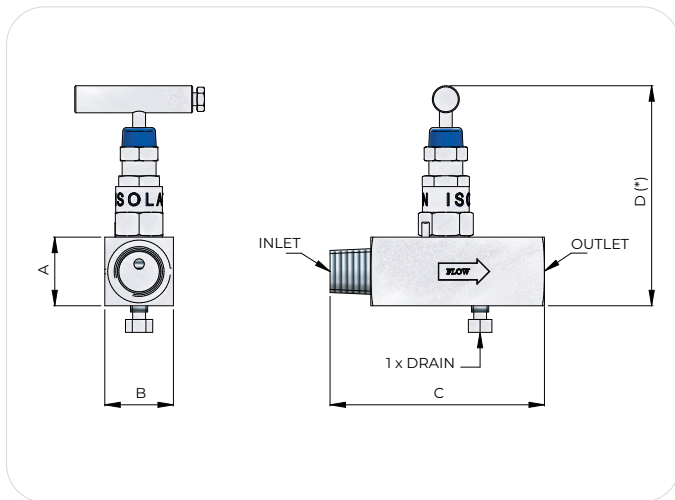
[Back to Index](#)



### Technical Features:

- Bar stock body
- Non-Rotating plug tip
- Lock pin to prevent accidental loosening of bonnet
- Dust cap for stem protection
- Externally adjustable gland
- PED-ATEX-EAC

NEEDLE VALVES WITH DRAIN  
5VSP SERIE



### PRESSURE RATING 6000 PSI

INLET	OUTLET	A	B	C	D(*)
1/8" NPT-M	1/8" NPT-F	28,5	28,5	89	100
1/4" NPT-M	1/4" NPT-F	28,5	28,5	89	100
3/8" NPT-M	3/8" NPT-F	28,5	28,5	89	100
1/2" NPT-M	1/2" NPT-F	32	32	100	103
3/4" NPT-M	3/4" NPT-F	38	38	100	120
1" NPT-M	1" NPT-F	45	45	110	129

(\*) APPROXIMATELY WITH VALVE FULLY OPEN

### How to order:

MANIFOLD SERIE	PRESSURE RATING	BODY MATERIAL	PACKING MATERIAL	INLET (PROCESS)	OUTLET (INSTRUMENT)	DRAIN	OPTIONS	ACCESSORIES	SPECIAL EXECUTIONS
5VSP	A: 6000 psi (5 mm bore)	01: AISI 316/L	A: PTFE (up to 200°C at 20 bar)	02: 1/2" NPT-M	01: 1/2" NPT-F	A: 1/4" NPT-F	A: No option		
		08: Monel 400							
		09: Hastelloy C276							
		10: Inconel 625							
		11: Inconel 825							
	B: 10000 psi (4 mm bore) (Available with PTFE gasket only)	12: F51 UNS S31803	B: Graphoil (up to 500°C at 20 bar)	04: 1/2" BSPP-M	03: 1/2" BSPP-F	C: M8	C: Degreased for O <sub>2</sub>	01: No accessories	A0: Not required
		13: F53 UNS S32750							
		14: F55 UNS S32760							
		16: 6Mo UNS S31254							

• Other materials and connections are available on request

• Example of part number: **5VSP A 01 A 02 01 G A 01 A0**

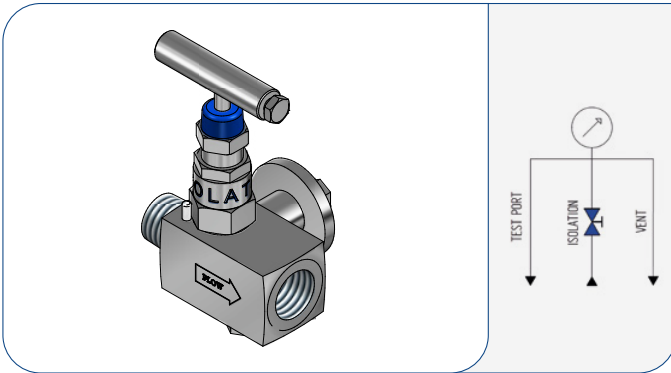
NEEDLE VALVE SERIE 5VSP-RATING 6.000 psi-WETTED PARTS IN AISI 316/L-PTFE PACKING-INLET 1/2"NPT-M-OUTLET 1/2"NPT-F-DRAIN M8-NO OPTION-NO ACCESSORIES

• Please consult the Accessories section starting from page 97 for available accessories



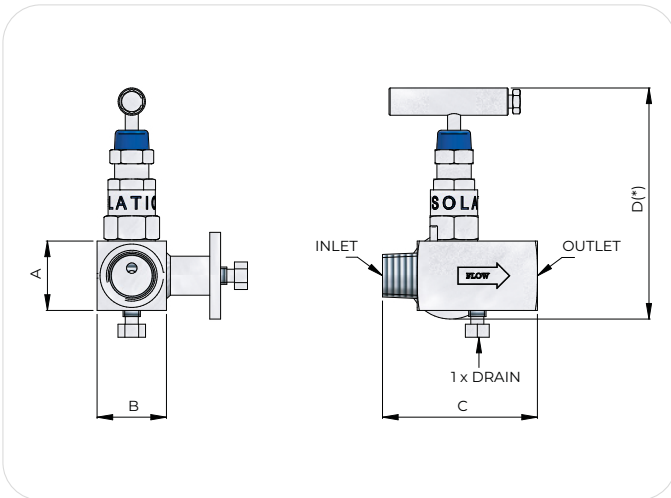
Back to Index

NEEDLE VALVES WITH DRAIN  
6VSP SERIE



**Technical Features:**

- Bar stock body
- Non-Rotating plug tip
- Lock pin to prevent accidental loosening of bonnet
- Dust cap for stem protection
- Externally adjustable gland
- PED-ATEX-EAC



**PRESSURE RATING 6000 PSI**

INLET	OUTLET	A	B	C	D(*)
1/8" NPT-M	1/8" NPT-F	32	32	65	104
1/4" NPT-M	1/4" NPT-F	32	32	65	104
3/8" NPT-M	3/8" NPT-F	32	32	65	104
1/2" NPT-M	1/2" NPT-F	32	32	72	104
3/4" NPT-M	3/4" NPT-F	38	38	76	122
1" NPT-M	1" NPT-F	45	45	89	129

(\*) APPROXIMATELY WITH VALVE FULLY OPEN

**How to order:**

MANIFOLD SERIE	PRESSURE RATING	BODY MATERIAL	PACKING MATERIAL	INLET (PROCESS)	OUTLET (INSTRUMENT)	DRAIN	OPTIONS	ACCESSORIES	SPECIAL EXECUTIONS
6VSP	A: 6000 psi (5 mm bore)	01: AISI 316/L	A: PTFE (up to 200°C at 20 bar)	02: 1/2"NPT-M	01: 1/2"NPT-F	A: 1/4" NPT-F	A: No option	01: No accessories	A0: Not required
		08: Monel 400							
		09: Hastelloy C276							
		10: Inconel 625							
		11: Inconel 825							
	B: 10000 psi (4 mm bore) (Available with PTFE gasket only)	12: F51 UNS S31803	B: Graphoil (up to 500°C at 20 bar)	04: 1/2"BSPP-M	03: 1/2"BSPP-F	C: M8	C: Degreased for O <sub>2</sub>		
		13: F53 UNS S32750							
		14: F55 UNS S32760							
		15: F57 UNS S32760							
		16: 6Mo UNS S31254							

• Other materials and connections are available on request

• Example of part number: **6VSP A 01 A 02 01 G A 01 A0**

NEEDLE VALVE SERIE 6VSP-RATING 6.000 psi-WETTED PARTS IN AISI 316/L-PTFE PACKING-INLET 1/2"NPT-M-OUTLET 1/2"NPT-F-DRAIN M8-NO OPTION-NO ACCESSORIES

• Please consult the Accessories section starting from page 97 for available accessories

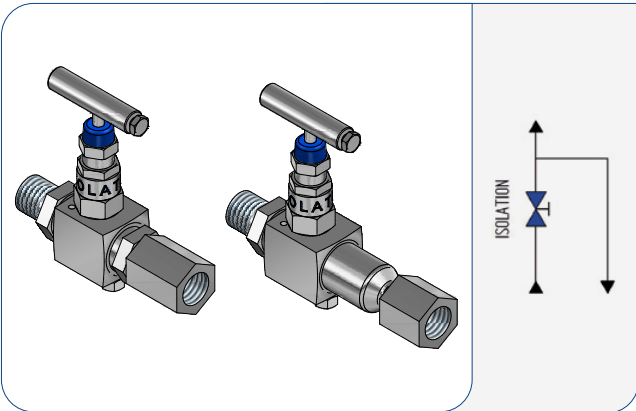
# INSTRUMENT MANIFOLDS

GAUGE VALVE  
THREADED MALE X FEMALE SWIVEL/COUPLING

bulk



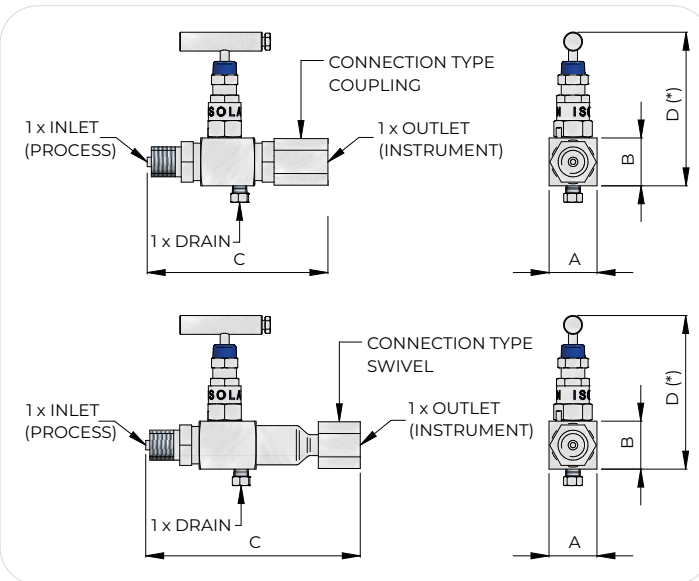
[Back to Index](#)



### Technical Features:

- Bar stock body
- Non-Rotating plug tip
- Lock pin to prevent accidental loosening of bonnet
- Dust cap for stem protection
- Colour coded functional identification
- Externally adjustable gland
- Complete with vent/drain plug made in same body material
- PED-ATEX-EAC

GAUGE VALVES  
PGV M-F SERIE



PRESSURE RATING 6000 PSI					
INLET	OUTLET	A	B	C	D(*)
PGVA01A7680KA01A0	Coupling	28,5	28,5	78	99
PGVA01A6079KA01A0	Coupling	32	32	120	103
PGVA01A6978KA01A0	Coupling	32	32	120	103
PGVA01A0278KA01A0	Coupling	32	32	120	103
PGVA01A6956KA01A18	Swivel	32	32	140	103
PGVA01A6054KA01A18	Swivel	32	32	140	103

(\*) APPROXIMATELY WITH VALVE FULLY OPEN

### How to order:

MANIFOLD SERIE	PRESSURE RATING	BODY MATERIAL	PACKING MATERIAL	INLET (PROCESS)	OUTLET (INSTRUMENT)	DRAIN	OPTIONS	ACCESSORIES	SPECIAL EXECUTIONS
PGV	A: 6000 psi	01: AISI 316/L	A: PTFE (up to 200°C at 20 bar)	02: 1/2" NPT-M	54: Swivel 1/2" BSPP-F EN 837-1	K: 1/8" NPT-F	A: No option	01: No accessories	A0: Not required
				60: 1/2" BSPP-M EN 837-1	56: Swivel M20x1,5-F EN 837-1				
				69: M20x1,5-M EN 837-1	78: Coupling L/R thread M20x1,5-F EN 837-1				
				76: 1/4" BSPP-M EN 837-1	79: Coupling L/R thread 1/2" BSPP-F DIN 3852-Y				
				80: Coupling L/R thread 1/4" BSPP-F EN 837-1	A18: Full bore				

• Other materials and connections are available on request

• Example of part number: **PGV A 01 A 60 54 K A 01 A18**

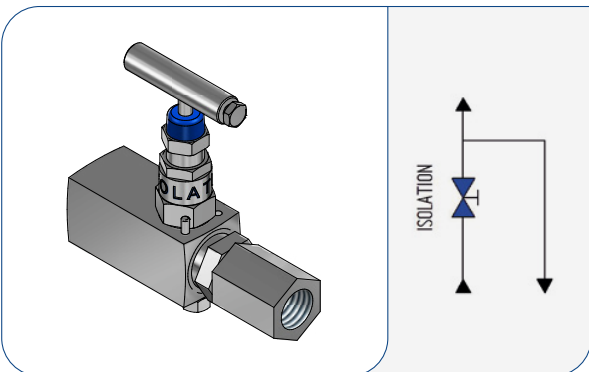
PRESSURE GAUGE VALVE SERIE PGV-RATING 6.000 psi-BODY MATERIAL IN AISI 316/L-PTFE PACKING-INLET 1/2" BSPP-M EN 837-1-OUTLET SWIVEL 1/2" BSPP-F EN 837-1-DRAIN 1/8"NPT-F-NO OPTION-NO ACCESSORIES-FULL BORE

• Please consult the Accessories section starting from page 97 for available accessories



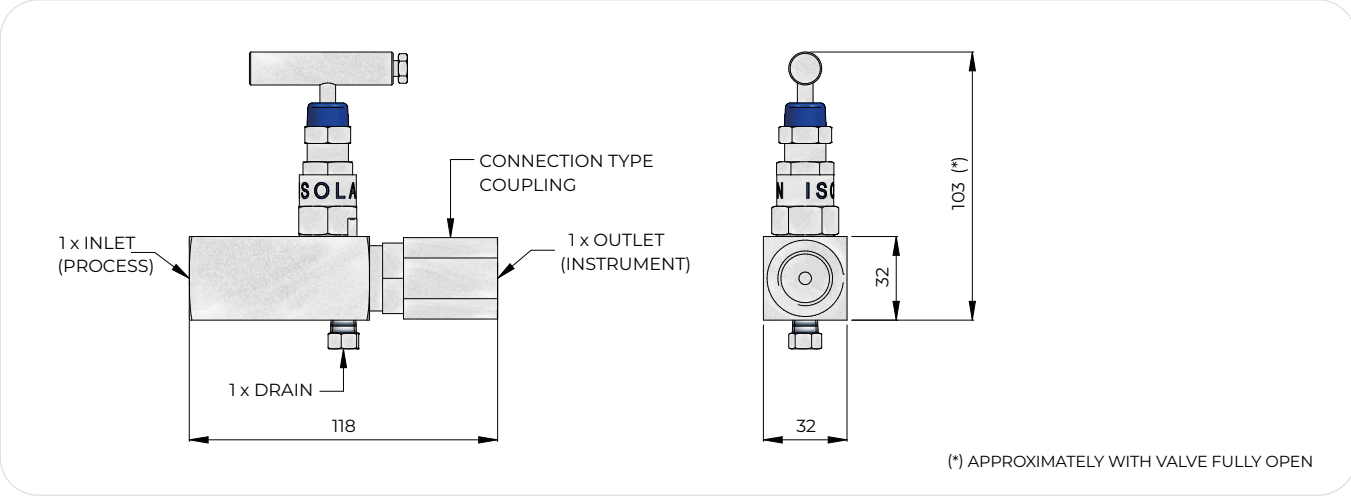
Back to Index

GAUGE VALVES  
PGV F-F SERIE



**Technical Features:**

- Bar stock body
- Non-Rotating plug tip
- Lock pin to prevent accidental loosening of bonnet
- Dust cap for stem protection
- Colour coded functional identification
- Externally adjustable gland
- Complete with vent/drain plug made in same body material
- PED-ATEX-EAC



**How to order:**

MANIFOLD SERIE	PRESSURE RATING	BODY MATERIAL	PACKING MATERIAL	INLET (PROCESS)	OUTLET (INSTRUMENT)	DRAIN	OPTIONS	ACCESSORIES	SPECIAL EXECUTIONS
PGV	A: 6000 psi	01: AISI 316/L	A: PTFE (up to 200°C at 20 bar)	67: 1/2" BSPP-F EN 837-1	78: Coupling L/R thread M20x1,5-F EN 837-1	K: 1/8"NPT-F	A: No option	01: No accessories	A0: Not required

• Example of part number: **PGV A 01 A 67 78 K A 01 A0**  
 PRESSURE GAUGE VALVE SERIE PGV-RATING 6.000 psi-BODY MATERIAL IN AISI 316/L-PTFE PACKING-INLET 1/2" BSPP-F EN 837-1-OUTLET COUPLING L/R THREAD M20x1,5-F EN 837-1-DRAIN 1/8"NPT-F-NO OPTION-NO ACCESSORIES

• Please consult the Accessories section starting from page 97 for available accessories

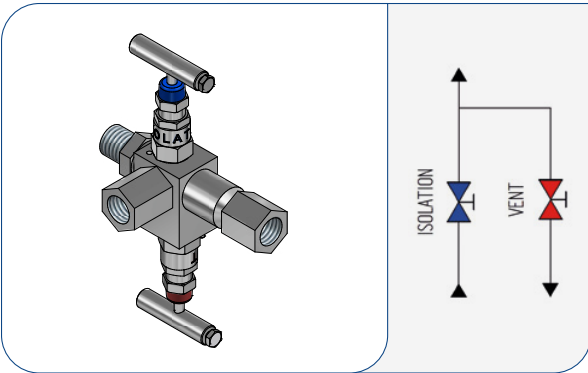
# INSTRUMENT MANIFOLDS

GAUGE VALVE  
THREADED MALE X FEMALE SWIVEL WITH TEST PORT

bulk



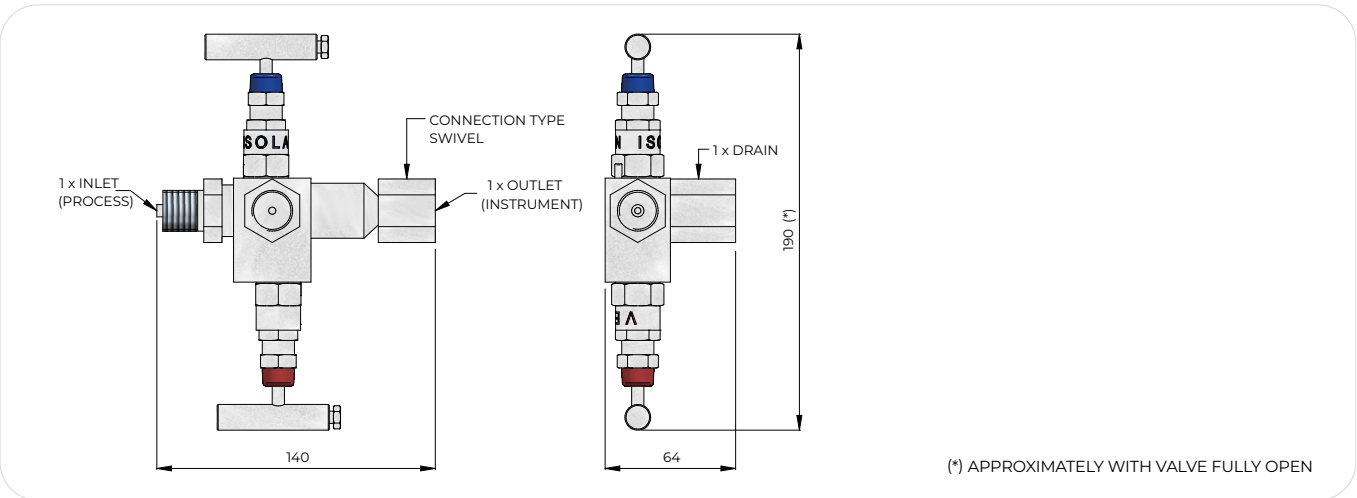
[Back to Index](#)



### Technical Features:

- Bar stock body
- Non-Rotating plug tip
- Lock pin to prevent accidental loosening of bonnet
- Dust cap for stem protection
- Colour coded functional identification
- Externally adjustable gland
- Complete with vent/drain plug made in same body material
- PED-ATEX-EAC

GAUGE VALVES  
PGV2 SERIE



### How to order:

MANIFOLD SERIE	PRESSURE RATING	BODY MATERIAL	PACKING MATERIAL	INLET (PROCESS)	OUTLET (INSTRUMENT)	DRAIN	OPTIONS	ACCESSORIES	SPECIAL EXECUTIONS
PGV2	A: 6000 psi	01: AISI 316/L	A: PTFE (up to 200°C at 20 bar)	69: 1/2" BSPP-F EN 837-1	56: Swivel M20x1,5-F EN 837-1	Q: M20x1,5-F	A: No option	01: No accessories	A0: Not required

• Other materials and connections are available on request

• Example of part number: **PGV2 A 01 A 69 56 Q A 01 A0**

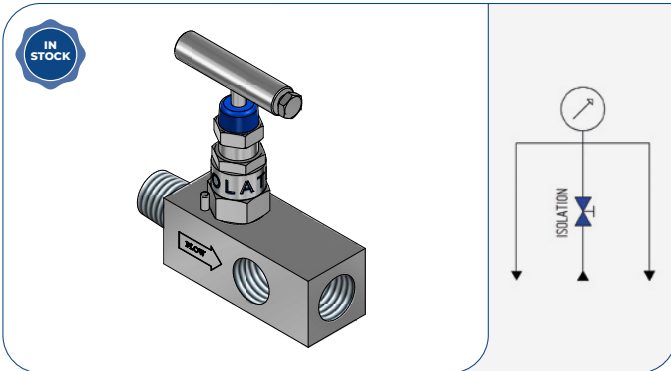
PRESSURE GAUGE VALVE SERIE PGV2-RATING 6.000 psi-BODY MATERIAL IN AISI 316/L-PTFE PACKING-INLET M20x1,5-M EN 837-1-OUTLET SWIVEL M20x1,5-F EN 837-1-DRAIN M20x1,5-F-NO OPTION-NO ACCESSORIES

• Please consult the Accessories section starting from page 97 for available accessories



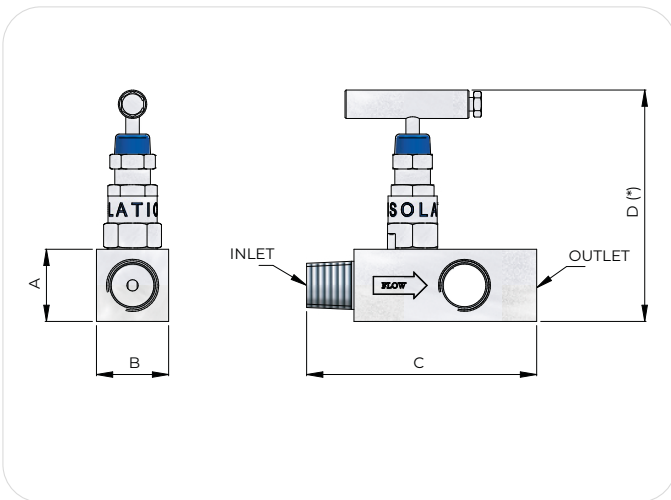
Back to Index

MULTI-PORT VALVE  
TVSPM SERIE



**Technical Features:**

- Bar stock body
- Non-Rotating plug tip
- Lock pin to prevent accidental loosening of bonnet
- Dust cap for stem protection
- Externally adjustable gland
- PED-ATEX-EAC



**PRESSURE RATING 6000 PSI**

INLET	OUTLET	A	B	C	D(*)
1/8" NPT-M	1/8" NPT-F	28,5	28,5	76	99
1/4" NPT-M	1/4" NPT-F	28,5	28,5	76	99
3/8" NPT-M	3/8" NPT-F	28,5	28,5	76	99
1/2" NPT-M	1/2" NPT-F	32	32	102	103
3/4" NPT-M	3/4" NPT-F	38	38	102	124
1" NPT-M	1" NPT-F	45	45	110	130

(\*) APPROXIMATELY WITH VALVE FULLY OPEN

**How to order:**

MANIFOLD SERIE	PRESSURE RATING	BODY MATERIAL	PACKING MATERIAL	INLET (PROCESS)	OUTLET (INSTRUMENT)	DRAIN	OPTIONS	ACCESSORIES	SPECIAL EXECUTIONS
TVSPM	A: 6000 psi (5 mm bore)	01: AISI 316/L	A: PTFE (up to 200°C at 20 bar)	02: 1/2" NPT-M	01: 1/2" NPT-F	A: 1/4" NPT-F	A: No option		
		08: Monel 400							
		09: Hastelloy C276							
		10: Inconel 625							
		11: Inconel 825							
	B: 10000 psi (4 mm bore) (Available with PTFE gasket only)	12: F51 UNS S31803	B: Graphoil (up to 500°C at 20 bar)	04: 1/2" BSPP-M	03: 1/2" BSPP-F	B: 1/4" BSPP-F	B: NACE MR0103	01: No accessories	A0: Not required
		13: F53 UNS S32750							
		14: F55 UNS S32760							
		16: 6Mo UNS S31254							

• Other materials and connections are available on request

• Example of part number: **TVSPM A 01 A 02 01 D A 01 A0**  
NEEDLE VALVE SERIE TVSPM-RATING 6.000 psi-WETTED PARTS IN AISI 316/L-PTFE PACKING-INLET 1/2"NPT-M-OUTLET 1/2"NPT-F-DRAIN 1/2"NPT-F-NO OPTION-NO ACCESSORIES

• Please consult the Accessories section starting from page 97 for available accessories

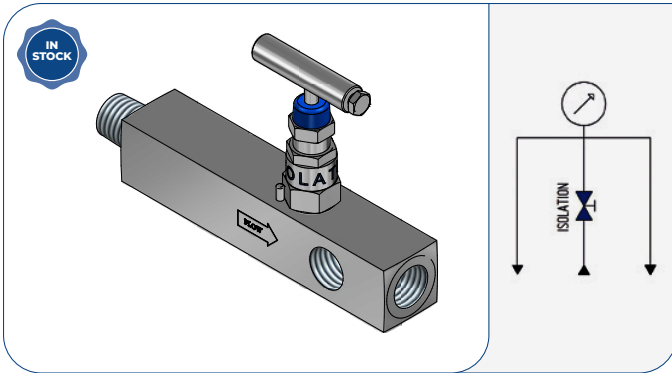
# INSTRUMENT MANIFOLDS

MULTI-PORT VALVE  
EXTENDED BODY THREADED MALE/FEMALE

bulk



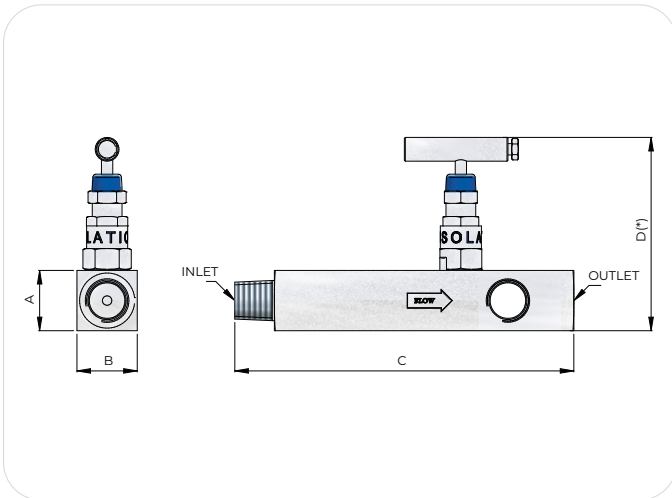
[Back to Index](#)



### Technical Features:

- Bar stock body
- Non-Rotating plug tip
- Lock pin to prevent accidental loosening of bonnet
- Dust cap for stem protection
- Externally adjustable gland
- PED-ATEX-EAC

MULTI-PORT VALVE  
2VSPM SERIE



PRESSURE RATING 6000 PSI					
INLET	OUTLET	A	B	C	D(*)
1/8" NPT-M	1/8" NPT-F	28,5	28,5	140	99
1/4" NPT-M	1/4" NPT-F	28,5	28,5	140	99
3/8" NPT-M	3/8" NPT-F	28,5	28,5	140	99
1/2" NPT-M	1/2" NPT-F	32	32	140	103
3/4" NPT-M	3/4" NPT-F	38	38	140	124
1" NPT-M	1" NPT-F	45	45	140	130

(\*) APPROXIMATELY WITH VALVE FULLY OPEN

### How to order:

MANIFOLD SERIE	PRESSURE RATING	BODY MATERIAL	PACKING MATERIAL	INLET (PROCESS)	OUTLET (INSTRUMENT)	DRAIN	OPTIONS	ACCESSORIES	SPECIAL EXECUTIONS
2VSPM	A: 6000 psi (5 mm bore)	01: AISI 316/L	A: PTFE (up to 200°C at 20 bar)	02: 1/2" NPT-M	01: 1/2" NPT-F	A: 1/4" NPT-F	A: No option		
		08: Monel 400							
		09: Hastelloy C276							
		10: Inconel 625							
		11: Inconel 825							
	B: 10000 psi (4 mm bore) (Available with PTFE gasket only)	12: F51 UNS S31803	B: Graphoil (up to 500°C at 20 bar)	04: 1/2" BSPP-M	03: 1/2" BSPP-F	B: 1/4" BSPP-F	B: NACE MR0103	01: No accessories	A0: Not required
		13: F53 UNS S32750							
		14: F55 UNS S32760							
		16: 6Mo UNS S31254							

• Other materials and connections are available on request

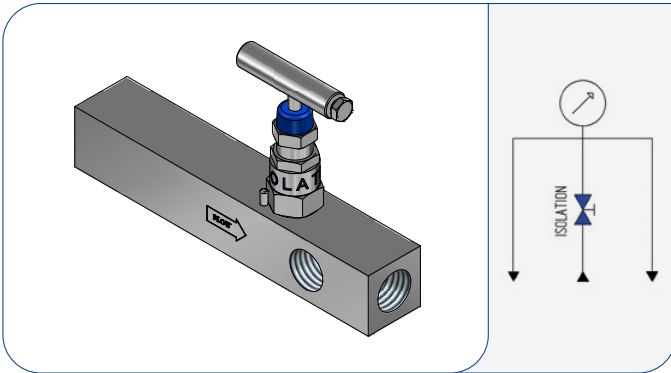
• Example of part number: **2VSPM A 01 A 02 01 D A 01 A0**

NEEDLE VALVE SERIE 2VSPM-RATING 6.000 psi-WETTED PARTS IN AISI 316/L-PTFE PACKING-INLET 1/2"NPT-M-OUTLET 1/2"NPT-F-DRAIN 1/2"NPT-F-NO OPTION-NO ACCESSORIES

• Please consult the Accessories section starting from page 97 for available accessories

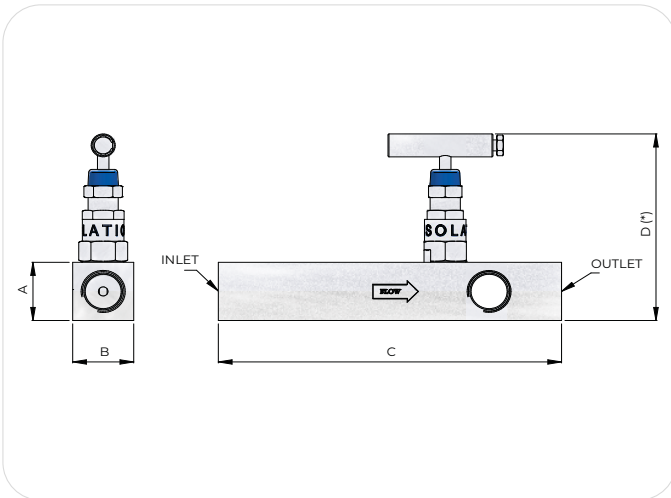


MULTI-PORT VALVE  
3VSPM SERIE



**Technical Features:**

- Bar stock body
- Non-Rotating plug tip
- Lock pin to prevent accidental loosening of bonnet
- Dust cap for stem protection
- Externally adjustable gland
- PED-ATEX-EAC



**PRESSURE RATING 6000 PSI**

INLET/OUTLET	A	B	C	D(*)
1/8" NPT-F	28,5	28,5	180	99
1/4" NPT-F	28,5	28,5	180	99
3/8" NPT-F	28,5	28,5	180	99
1/2" NPT-F	32	32	180	103
3/4" NPT-F	38	38	180	124
1" NPT-F	45	45	180	130

(\*) APPROXIMATELY WITH VALVE FULLY OPEN

**How to order:**

MANIFOLD SERIE	PRESSURE RATING	BODY MATERIAL	PACKING MATERIAL	INLET (PROCESS)	OUTLET (INSTRUMENT)	DRAIN	OPTIONS	ACCESSORIES	SPECIAL EXECUTIONS
3VSPM	A: 6000 psi (5 mm bore)	01: AISI 316/L	A: PTFE (up to 200°C at 20 bar)	01: 1/2" NPT-F	01: 1/2" NPT-F	A: 1/4" NPT-F	A: No option		
		08: Monel 400							
		09: Hastelloy C276							
		10: Inconel 625							
		11: Inconel 825							
	B: 10000 psi (4 mm bore) (Available with PTFE gasket only)	12: F51 UNS S31803	B: Graphoil (up to 500°C at 20 bar)	03: 1/2" BSPP-F	03: 1/2" BSPP-F	B: 1/4" BSPP-F	B: NACE MR0103	01: No accessories	A0: Not required
		13: F53 UNS S32750							
		14: F55 UNS S32760							
		16: 6Mo UNS S31254							

• Other materials and connections are available on request

• Example of part number: **3VSPM A 01 A 01 01 D A 01 A0**  
NEEDLE VALVE SERIE 3VSPM-RATING 6.000 psi-WETTED PARTS IN AISI 316/L-PTFE PACKING-INLET AND OUTLET 1/2"NPT-F-  
DRAIN 1/2"NPT-F-NO OPTION-NO ACCESSORIES

• Please consult the Accessories section starting from page 97 for available accessories

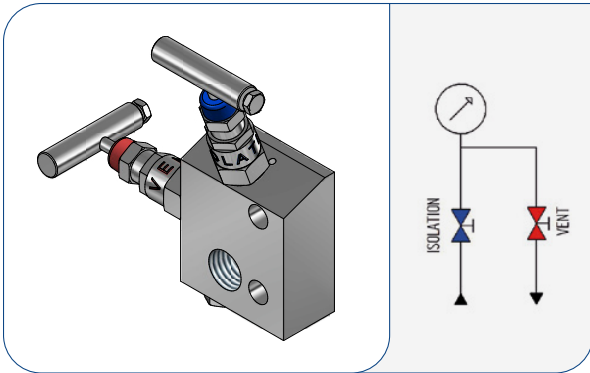
# INSTRUMENT MANIFOLDS

2-VALVES MANIFOLD  
DIRECT MOUNTING X FEMALE THREAD

bulk

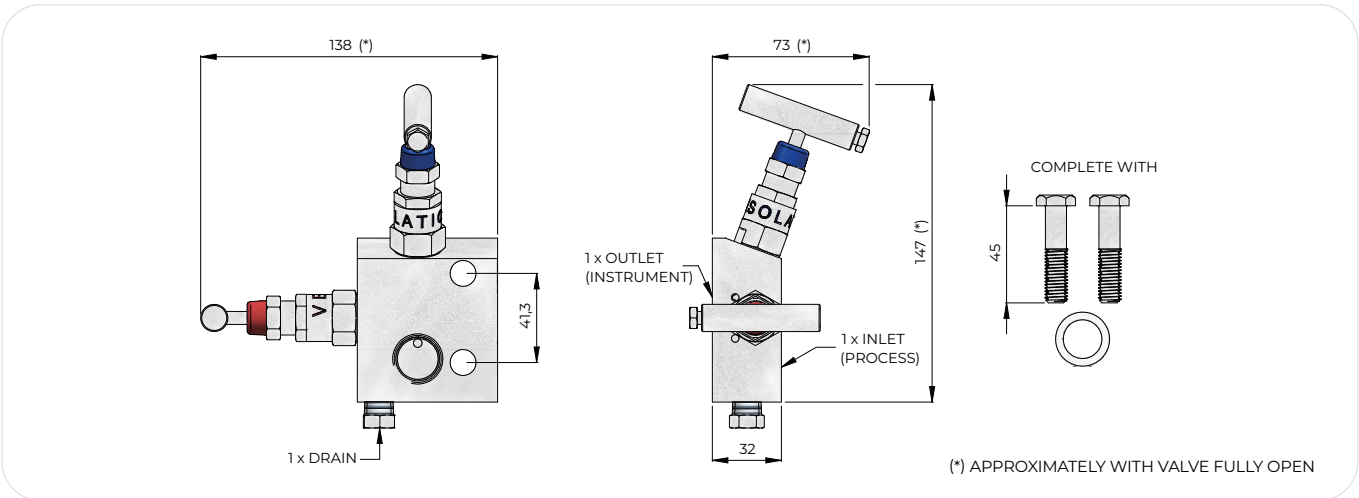


[Back to Index](#)



### Technical Features:

- Bar stock body
- Non-Rotating plug tip
- Lock pin to prevent accidental loosening of bonnet
- Dust cap for stem protection
- Colour coded functional identification
- Externally adjustable gland
- Complete with vent/drain plug made in same body material
- PED-ATEX-EAC



2-VALVES MANIFOLD DIRECT MOUNTING  
2D1 SERIE

### How to order:

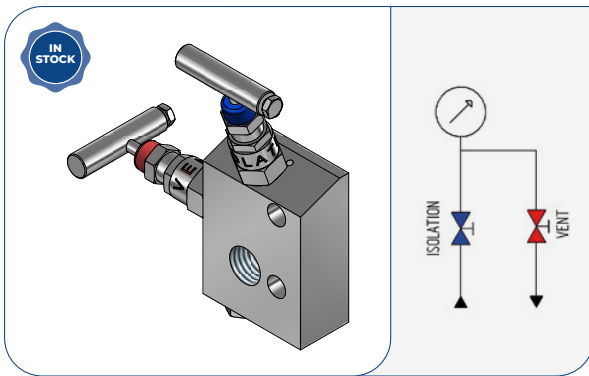
MANIFOLD SERIE	PRESSURE RATING	BODY MATERIAL	PACKING MATERIAL	INLET (PROCESS)	OUTLET (INSTRUMENT)	DRAIN	OPTIONS	ACCESSORIES	SPECIAL EXECUTIONS
2D1	A: 6000 psi (5 mm bore)	01: AISI 316/L	A: PTFE (up to 200°C at 20 bar)	01: 1/2" NPT-F	07: Flanged	A: 1/4" NPT-F	A: No option	01: No accessories	A0: Not required
		08: Monel 400							
		09: Hastelloy C276							
		10: Inconel 625							
		11: Inconel 825	B: Graphoil (up to 500°C at 20 bar)	03: 1/2" BSPP-F	52: EN/IEC 61518 B	B: 1/4" BSPP-F	C: Degreased for O <sub>2</sub>		
		12: F51 UNS S31803							
		13: F53 UNS S32750							
		14: F55 UNS S32760							
16: 6Mo UNS S31254									

• Other materials and connections are available on request

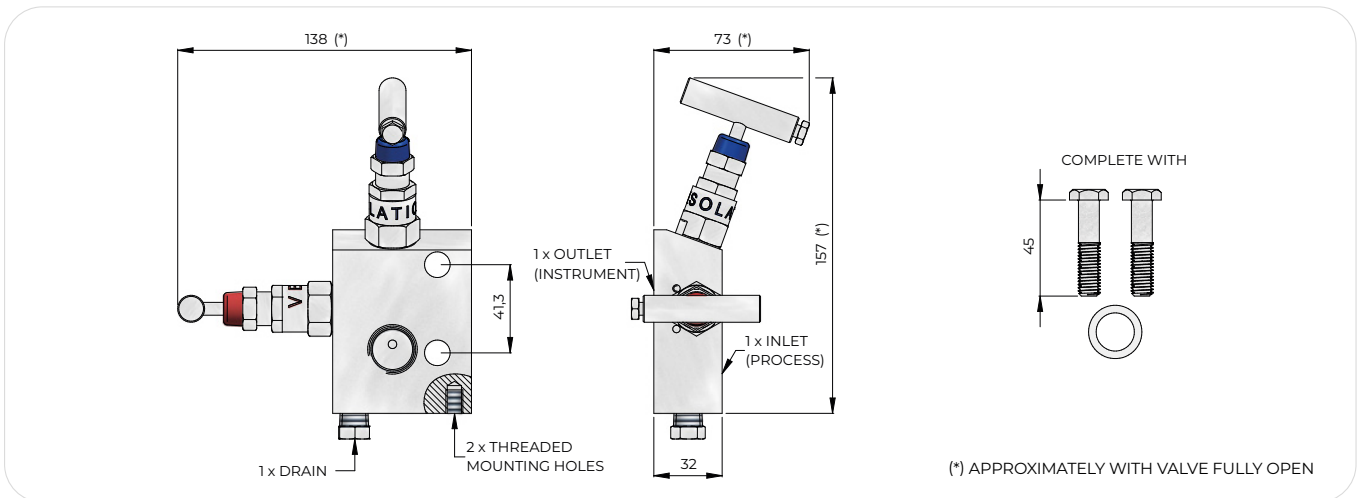
• Example of part number: **2D1 | A | 01 | A | 03 | 07 | A | A | 01 | A0**

MANIFOLD SERIE 2D1-RATING 6.000 psi-BODY MATERIAL IN AISI 316/L-PTFE PACKING-INLET 1/2"BSPP-F-OUTLET FLANGED-DRAIN 1/4"NPT-F-NO OPTION-NO ACCESSORIES

• Please consult the Accessories section starting from page 97 for available accessories


**Technical Features:**

- Bar stock body
- Non-Rotating plug tip
- Lock pin to prevent accidental loosening of bonnet
- Dust cap for stem protection
- Colour coded functional identification
- Externally adjustable gland
- Complete with vent/drain plug made in same body material
- PED-ATEX-EAC



(\*) APPROXIMATELY WITH VALVE FULLY OPEN

**How to order:**

MANIFOLD SERIE	PRESSURE RATING	BODY MATERIAL	PACKING MATERIAL	INLET (PROCESS)	OUTLET (INSTRUMENT)	DRAIN	OPTIONS	ACCESSORIES	SPECIAL EXECUTIONS
2DIMH	A: 6000 psi (5 mm bore)	01: AISI 316/L	A: PTFE (up to 200°C at 20 bar)	01: 1/2" NPT-F	07: Flanged	A: 1/4" NPT-F	A: No option	01: No accessories	A0: Not required
		08: Monel 400							
		09: Hastelloy C276							
		10: Inconel 625							
		11: Inconel 825	B: Graphoil (up to 500°C at 20 bar)	03: 1/2" BSPP-F	52: EN/IEC 61518 B	B: 1/4" BSPP-F	B: NACE MR0103	01: No accessories	A0: Not required
		12: F51 UNS S31803							
		13: F53 UNS S32750							
		14: F55 UNS S32760							
16: 6Mo UNS S31254	C: Degreased for O <sub>2</sub>								

- Other materials and connections are available on request
- Example of part number: **2DIMH A 01 A 03 07 A A 01 A0**  
 MANIFOLD SERIE 2DIMH-RATING 6.000 psi-BODY MATERIAL IN AISI 316/L-PTFE PACKING-INLET 1/2"BSPP-F-OUTLET FLANGED-DRAIN 1/4"NPT-F-NO OPTION-NO ACCESSORIES
- Please consult the Accessories section starting from page 97 for available accessories

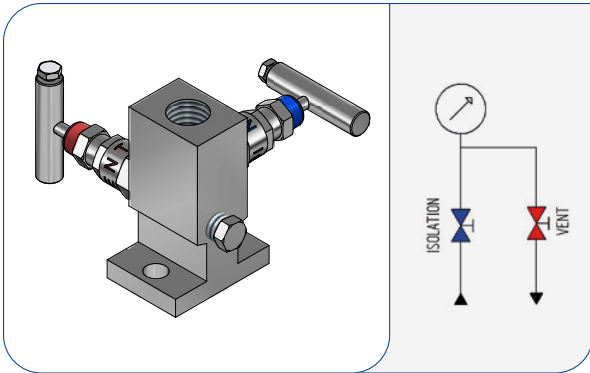
# INSTRUMENT MANIFOLDS

2-VALVES MANIFOLD  
DIRECT MOUNTING X FEMALE THREAD

bulk

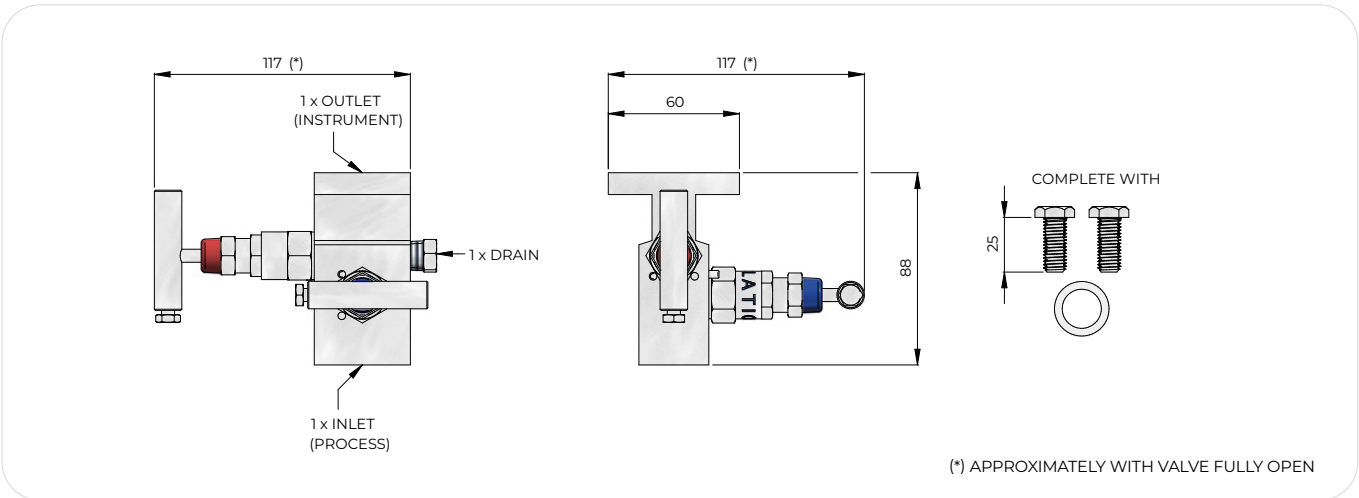


[Back to Index](#)



### Technical Features:

- Bar stock body
- Non-Rotating plug tip
- Lock pin to prevent accidental loosening of bonnet
- Dust cap for stem protection
- Colour coded functional identification
- Externally adjustable gland
- Complete with vent/drain plug made in same body material
- PED-ATEX-EAC



(\*) APPROXIMATELY WITH VALVE FULLY OPEN

### How to order:

MANIFOLD SERIE	PRESSURE RATING	BODY MATERIAL	PACKING MATERIAL	INLET (PROCESS)	OUTLET (INSTRUMENT)	DRAIN	OPTIONS	ACCESSORIES	SPECIAL EXECUTIONS
2D2	A: 6000 psi (5 mm bore)	01: AISI 316/L	A: PTFE (up to 200°C at 20 bar)	01: 1/2" NPT-F	07: Flanged	A: 1/4" NPT-F	A: No option	01: No accessories	A0: Not required
		08: Monel 400							
		09: Hastelloy C276							
		10: Inconel 625							
		11: Inconel 825	B: Graphoil (up to 500°C at 20 bar)	03: 1/2" BSPP-F	52: EN/IEC 61518 B	B: 1/4" BSPP-F	B: NACE MR0103	C: Degreased for O <sub>2</sub>	
		12: F51 UNS S31803							
		13: F53 UNS S32750							
		14: F55 UNS S32760							
16: 6Mo UNS S31254									

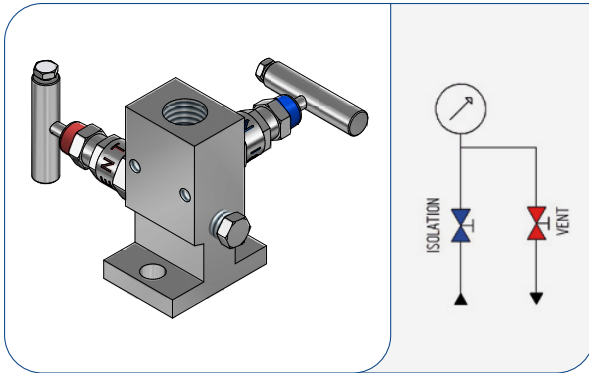
• Other materials and connections are available on request

• Example of part number: **2D2 A 01 A 03 07 A A 01 A0**

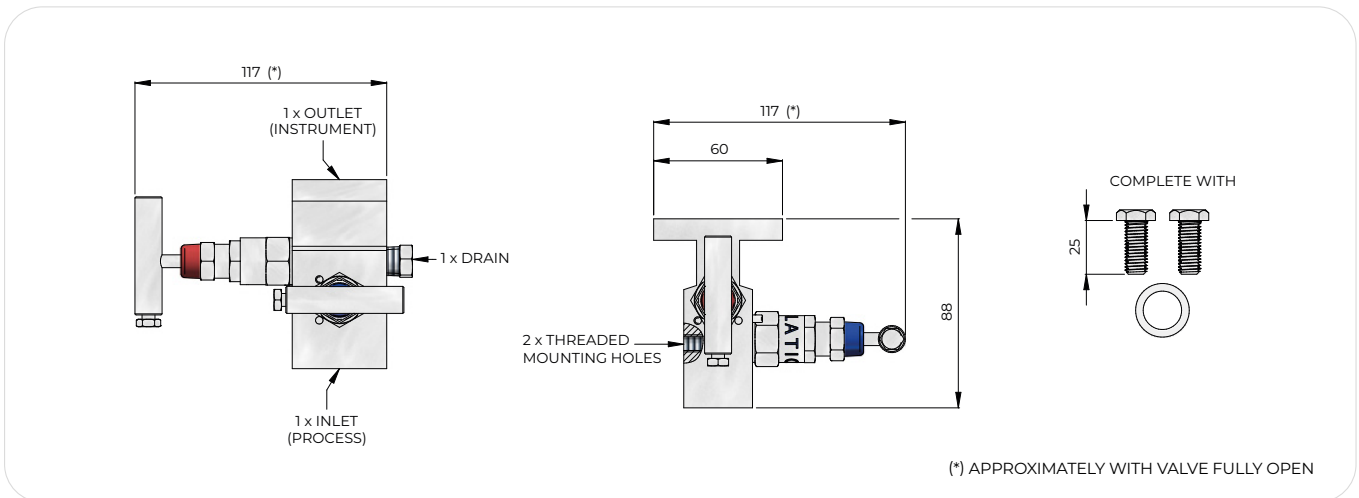
MANIFOLD SERIE 2D2-RATING 6.000 psi-BODY MATERIAL IN AISI 316/L-PTFE PACKING-INLET 1/2"BSPP-F-OUTLET FLANGED-DRAIN 1/4"NPT-F-NO OPTION-NO ACCESSORIES

• Please consult the Accessories section starting from page 97 for available accessories

2-VALVES MANIFOLD DIRECT MOUNTING  
2D2 SERIE


**Technical Features:**

- Bar stock body
- Non-Rotating plug tip
- Lock pin to prevent accidental loosening of bonnet
- Dust cap for stem protection
- Colour coded functional identification
- Externally adjustable gland
- Complete with vent/drain plug made in same body material
- PED-ATEX-EAC



(\*) APPROXIMATELY WITH VALVE FULLY OPEN

**How to order:**

MANIFOLD SERIE	PRESSURE RATING	BODY MATERIAL	PACKING MATERIAL	INLET (PROCESS)	OUTLET (INSTRUMENT)	DRAIN	OPTIONS	ACCESSORIES	SPECIAL EXECUTIONS
2D2MH	A: 6000 psi (5 mm bore)	01: AISI 316/L	A: PTFE (up to 200°C at 20 bar)	01: 1/2" NPT-F	07: Flanged	A: 1/4" NPT-F	A: No option	01: No accessories	A0: Not required
		08: Monel 400							
		09: Hastelloy C276							
		10: Inconel 625							
		11: Inconel 825	B: Graphoil (up to 500°C at 20 bar)	03: 1/2" BSPP-F	52: EN/IEC 61518 B	B: 1/4" BSPP-F	C: Degreased for O <sub>2</sub>		
		12: F51 UNS S31803							
		13: F53 UNS S32750							
		14: F55 UNS S32760							
16: 6Mo UNS S31254									

- Other materials and connections are available on request
- Example of part number: **2D2MH A 01 A 03 07 A A 01 A0**  
 MANIFOLD SERIE 2D2MH-RATING 6.000 PSI-BODY MATERIAL IN AISI 316/L-PTFE PACKING-INLET 1/2"BSPP-F-OUTLET FLANGED-DRAIN 1/4"NPT-F-NO OPTION-NO ACCESSORIES
- Please consult the Accessories section starting from page 97 for available accessories

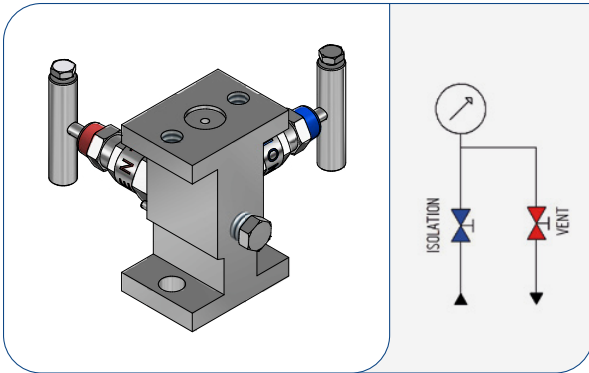
# INSTRUMENT MANIFOLDS

2-VALVES MANIFOLD  
DIRECT MOUNTING X FLANGED

bulk



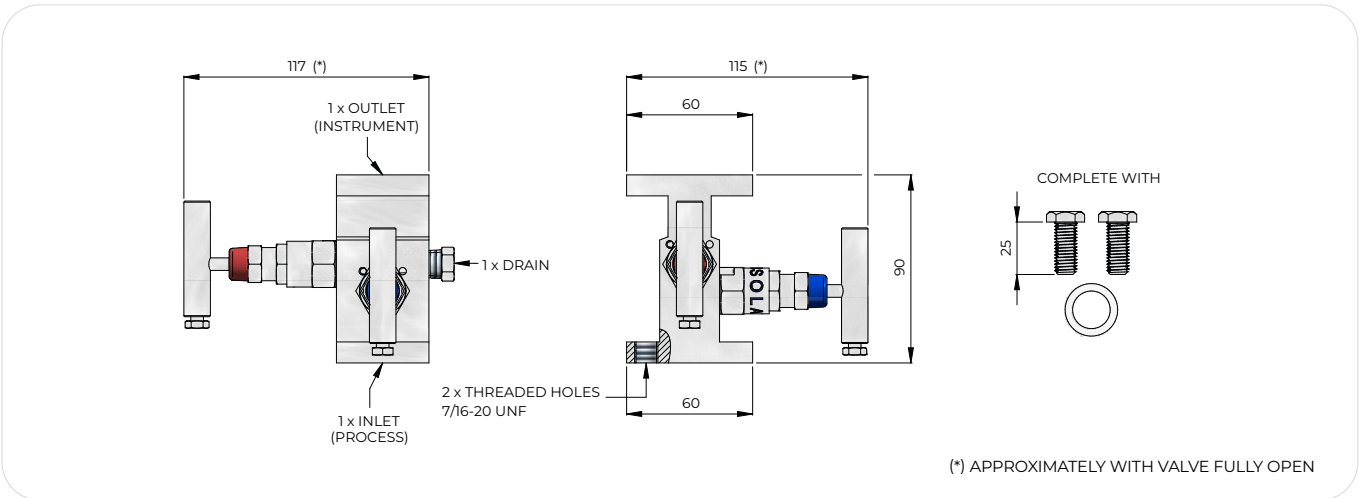
[Back to Index](#)



### Technical Features:

- Bar stock body
- Non-Rotating plug tip
- Lock pin to prevent accidental loosening of bonnet
- Dust cap for stem protection
- Colour coded functional identification
- Externally adjustable gland
- Complete with vent/drain plug made in same body material
- PED-ATEX-EAC

2-VALVES MANIFOLD DIRECT MOUNTING  
2D3 SERIE

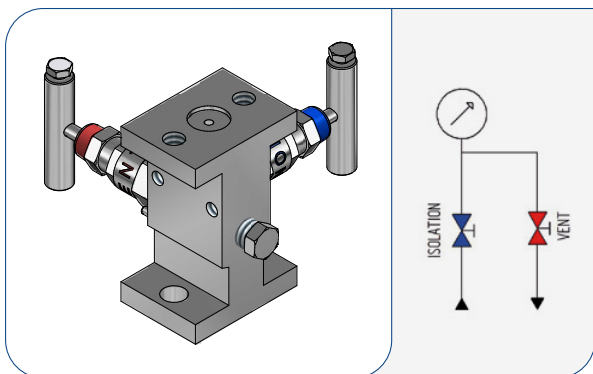


(\* ) APPROXIMATELY WITH VALVE FULLY OPEN

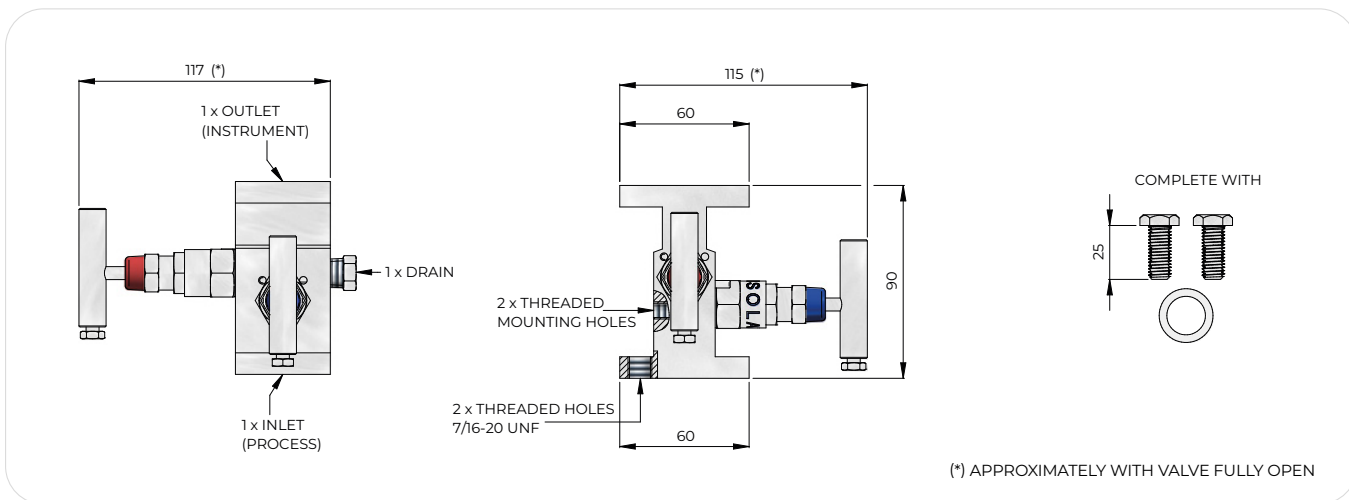
### How to order:

MANIFOLD SERIE	PRESSURE RATING	BODY MATERIAL	PACKING MATERIAL	INLET	OUTLET	DRAIN	OPTIONS	ACCESSORIES	SPECIAL EXECUTIONS
2D3	A: 6000 psi (5 mm bore)	01: AISI 316/L	A: PTFE (up to 200°C at 20 bar)	07: Flanged	07: Flanged	A: 1/4" NPT-F	A: No option	01: No accessories	A0: Not required
		08: Monel 400							
		09: Hastelloy C276							
		10: Inconel 625							
		11: Inconel 825	B: Graphoil (up to 500°C at 20 bar)	64: EN/IEC 61518 B	52: EN/IEC 61518 B	B: 1/4" BSPP-F	B: NACE MR0103		
		12: F51 UNS S31803							
		13: F53 UNS S32750							
		14: F55 UNS S32760							
16: 6Mo UNS S31254	C: Degreased for O <sub>2</sub>								

- Other materials and connections are available on request
- Example of part number: **2D3 A 01 A 07 07 B A 01 A0**  
MANIFOLD SERIE 2D3-RATING 6.000 psi-BODY MATERIAL IN AISI 316/L-PTFE PACKING-INLET AND OUTLET FLANGED-DRAIN 1/4"BSPP-F-NO OPTION-NO ACCESSORIES
- Please consult the Accessories section starting from page 97 for available accessories


**Technical Features:**

- Bar stock body
- Non-Rotating plug tip
- Lock pin to prevent accidental loosening of bonnet
- Dust cap for stem protection
- Colour coded functional identification
- Externally adjustable gland
- Complete with vent/drain plug made in same body material
- PED-ATEX-EAC



(\*) APPROXIMATELY WITH VALVE FULLY OPEN

**How to order:**

MANIFOLD SERIE	PRESSURE RATING	BODY MATERIAL	PACKING MATERIAL	INLET (PROCESS)	OUTLET (INSTRUMENT)	DRAIN	OPTIONS	ACCESSORIES	SPECIAL EXECUTIONS
2D3MH	A: 6000 psi (5 mm bore)	01: AISI 316/L	A: PTFE (up to 200°C at 20 bar)	07: Flanged	07: Flanged	A: 1/4" NPT-F	A: No option	01: No accessories	A0: Not required
		08: Monel 400							
		09: Hastelloy C276							
		10: Inconel 625							
		11: Inconel 825	B: Graphoil (up to 500°C at 20 bar)	64: EN/IEC 61518 B	52: EN/IEC 61518 B	B: 1/4" BSPP-F	C: Degreased for O <sub>2</sub>		
		12: F51 UNS S31803							
		13: F53 UNS S32750							
		14: F55 UNS S32760							
16: 6Mo UNS S31254									

• Other materials and connections are available on request

 • Example of part number: **2D3MH A 01 A 07 07 B A 01 A0**

MANIFOLD SERIE 2D3MH-RATING 6.000 psi-BODY MATERIAL IN AISI 316/L-PTFE PACKING-INLET AND OUTLET FLANGED-DRAIN 1/4"BSPP-F-NO OPTION-NO ACCESSORIES

• Please consult the Accessories section starting from page 97 for available accessories

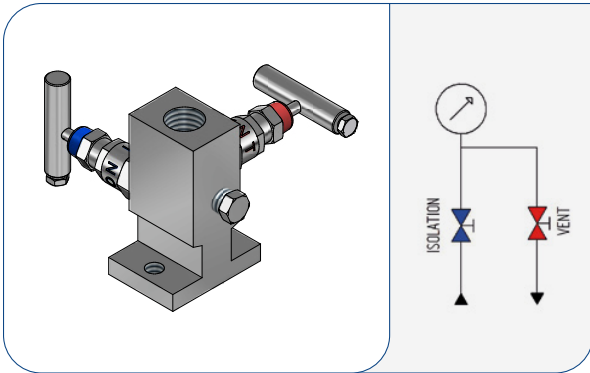
# INSTRUMENT MANIFOLDS

2-VALVES MANIFOLD  
DIRECT MOUNTING X FEMALE THREAD

bulk



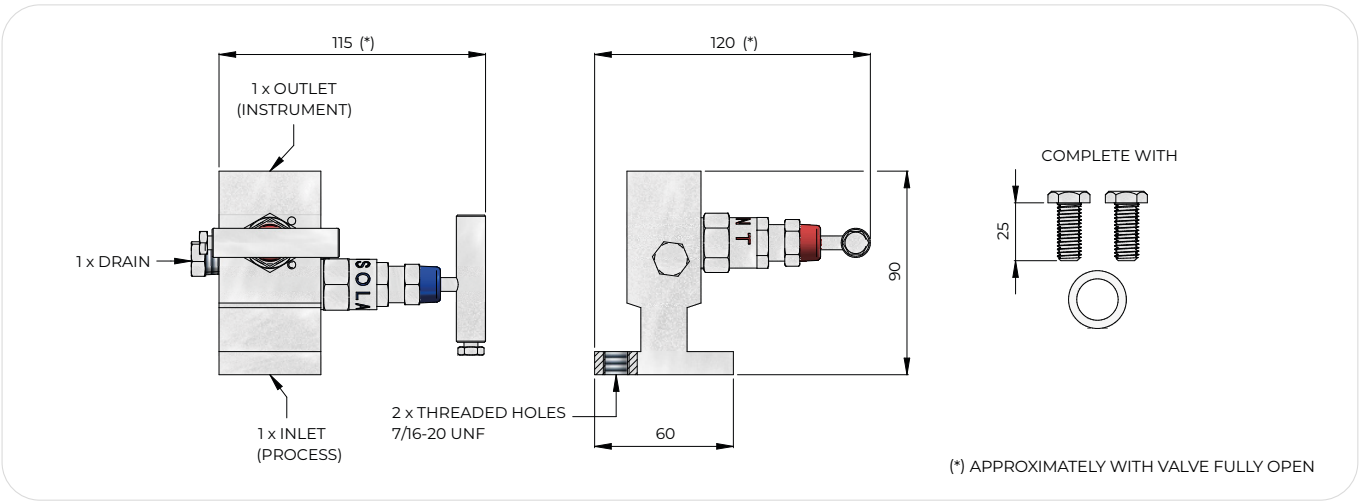
[Back to Index](#)



### Technical Features:

- Bar stock body
- Non-Rotating plug tip
- Lock pin to prevent accidental loosening of bonnet
- Dust cap for stem protection
- Colour coded functional identification
- Externally adjustable gland
- Complete with vent/drain plug made in same body material
- PED-ATEX-EAC

2-VALVES MANIFOLD DIRECT MOUNTING  
2D4 SERIE



(\*) APPROXIMATELY WITH VALVE FULLY OPEN

### How to order:

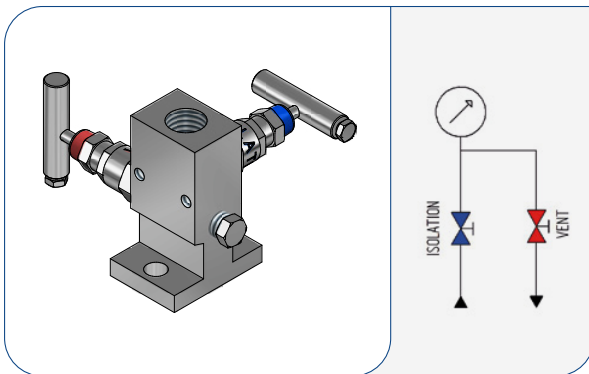
MANIFOLD SERIE	PRESSURE RATING	BODY MATERIAL	PACKING MATERIAL	INLET	OUTLET	DRAIN	OPTIONS	ACCESSORIES	SPECIAL EXECUTIONS
2D4	A: 6000 psi (5 mm bore)	01: AISI 316/L	A: PTFE (up to 200°C at 20 bar)	07: Flanged	01: 1/2" NPT-F	A: 1/4" NPT-F	A: No option	01: No accessories	A0: Not required
		08: Monel 400							
		09: Hastelloy C276							
		10: Inconel 625							
		11: Inconel 825	B: Graphoil (up to 500°C at 20 bar)	64: EN/IEC 61518 B	03: 1/2" BSPP-F	B: 1/4" BSPP-F	C: Degreased for O <sub>2</sub>		
		12: F51 UNS S31803							
		13: F53 UNS S32750							
		14: F55 UNS S32760							
16: 6Mo UNS S31254									

• Other materials and connections are available on request

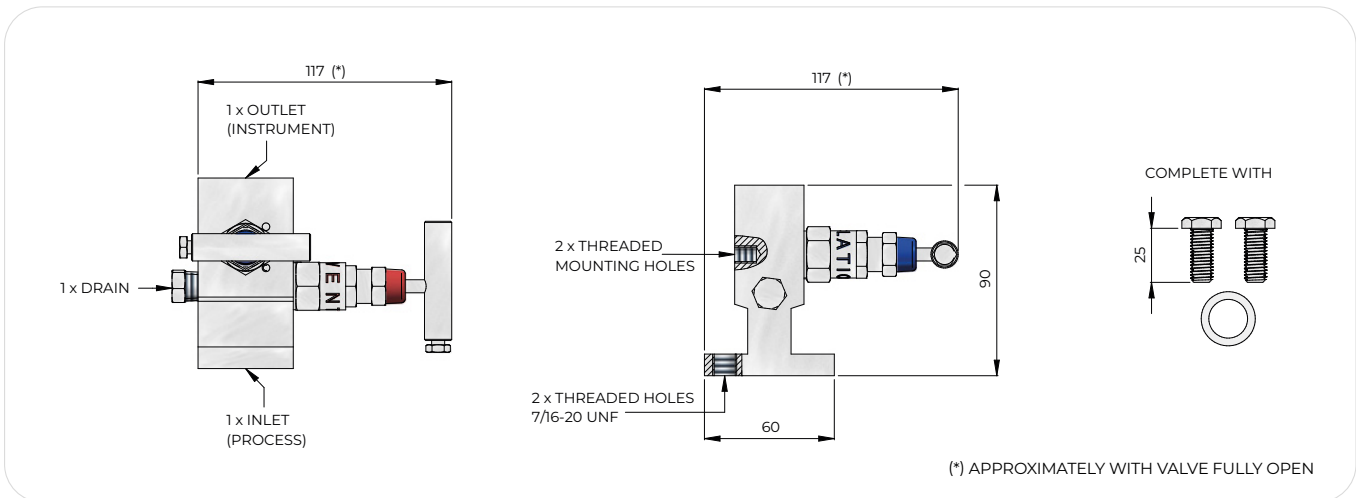
• Example of part number: **2D4 A 01 A 07 03 A A 01 A0**

MANIFOLD SERIE 2D4-RATING 6.000 psi-BODY MATERIAL IN AISI 316/L-PTFE PACKING-INLET FLANGED-OUTLET 1/2"BSPP-F-DRAIN 1/4"NPT-F-NO OPTION-NO ACCESSORIES

• Please consult the Accessories section starting from page 97 for available accessories


**Technical Features:**

- Bar stock body
- Non-Rotating plug tip
- Lock pin to prevent accidental loosening of bonnet
- Dust cap for stem protection
- Colour coded functional identification
- Externally adjustable gland
- Complete with vent/drain plug made in same body material
- PED-ATEX-EAC



(\*) APPROXIMATELY WITH VALVE FULLY OPEN

**How to order:**

MANIFOLD SERIE	PRESSURE RATING	BODY MATERIAL	PACKING MATERIAL	INLET (PROCESS)	OUTLET (INSTRUMENT)	DRAIN	OPTIONS	ACCESSORIES	SPECIAL EXECUTIONS
2D4MH	A: 6000 psi (5 mm bore)	01: AISI 316/L	A: PTFE (up to 200°C at 20 bar)	07: Flanged	01: 1/2" NPT-F	A: 1/4" NPT-F	A: No option	01: No accessories	A0: Not required
		08: Monel 400							
		09: Hastelloy C276							
		10: Inconel 625							
		11: Inconel 825	B: Graphoil (up to 500°C at 20 bar)	64: EN/IEC 61518 B	03: 1/2" BSPF-F	B: 1/4" BSPF-F	C: Degreased for O <sub>2</sub>		
		12: F51 UNS S31803							
		13: F53 UNS S32750							
		14: F55 UNS S32760							
16: 6Mo UNS S31254									

• Other materials and connections are available on request

 • Example of part number: **2D4MH A 01 A 07 03 A A 01 A0**

MANIFOLD SERIE 2D4MH-RATING 6.000 psi-BODY MATERIAL IN AISI 316/L-PTFE PACKING-INLET FLANGED-OUTLET 1/2" BSPF-F-DRAIN 1/4" NPT-F-NO OPTION-NO ACCESSORIES

• Please consult the Accessories section starting from page 97 for available accessories

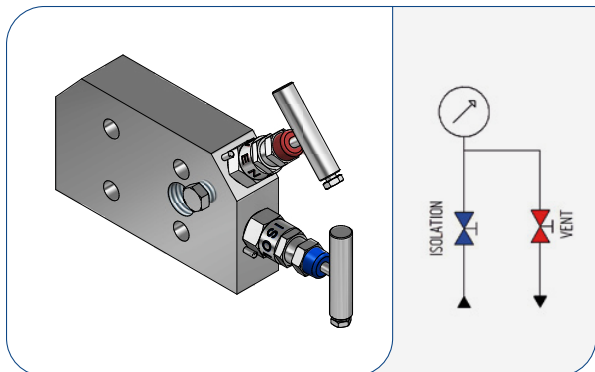
# INSTRUMENT MANIFOLDS

2-VALVES MANIFOLD  
DIRECT MOUNTING X FEMALE THREAD

bulk

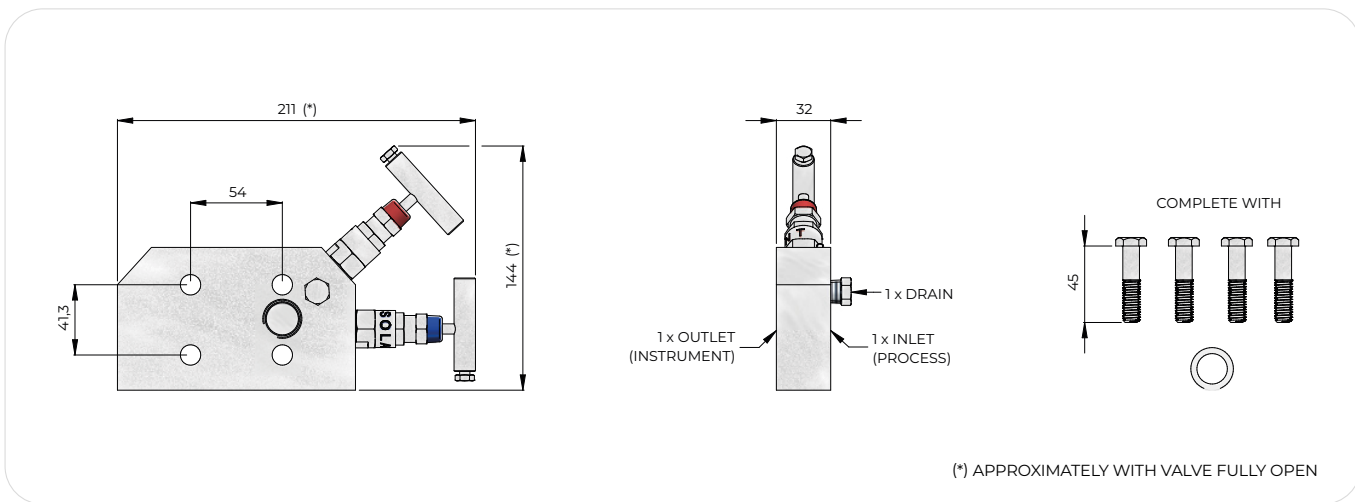


[Back to Index](#)



### Technical Features:

- Bar stock body
- Non-Rotating plug tip
- Lock pin to prevent accidental loosening of bonnet
- Dust cap for stem protection
- Colour coded functional identification
- Externally adjustable gland
- Complete with vent/drain plug made in same body material
- PED-ATEX-EAC



(\*) APPROXIMATELY WITH VALVE FULLY OPEN

### How to order:

MANIFOLD SERIE	PRESSURE RATING	BODY MATERIAL	PACKING MATERIAL	INLET	OUTLET	DRAIN	OPTIONS	ACCESSORIES	SPECIAL EXECUTIONS
2D5	A: 6000 psi (5 mm bore)	01: AISI 316/L	A: PTFE (up to 200°C at 20 bar)	01: 1/2" NPT-F	07: Flanged	A: 1/4" NPT-F	A: No option	01: No accessories	A0: Not required
		08: Monel 400							
		09: Hastelloy C276							
		10: Inconel 625							
		11: Inconel 825	B: Graphoil (up to 500°C at 20 bar)	03: 1/2" BSPP-F	52: EN/IEC 61518 B	B: 1/4" BSPP-F	B: NACE MR0103		
		12: F51 UNS S31803							
		13: F53 UNS S32750							
		14: F55 UNS S32760							
16: 6Mo UNS S31254	C: Degreased for O <sub>2</sub>								

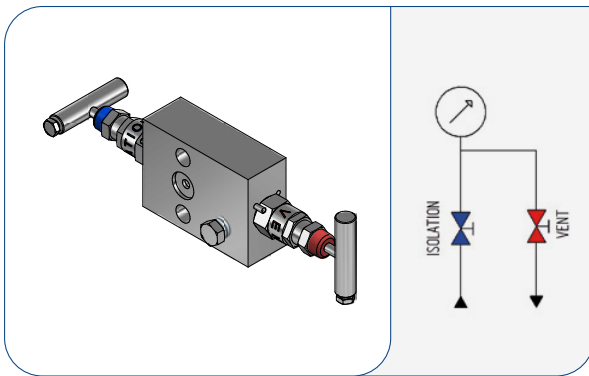
- Other materials and connections are available on request
- Example of part number: **2D5 A 01 A 03 07 B A 01 A0**  
MANIFOLD SERIE 2D5-RATING 6.000 psi-BODY MATERIAL IN AISI 316/L-PTFE PACKING-INLET 1/2"BSPP-F-OUTLET FLANGED-DRAIN 1/4"BSPP-F-NO OPTION-NO ACCESSORIES
- Please consult the Accessories section starting from page 97 for available accessories

2-VALVES MANIFOLD DIRECT MOUNTING  
2D5 SERIE



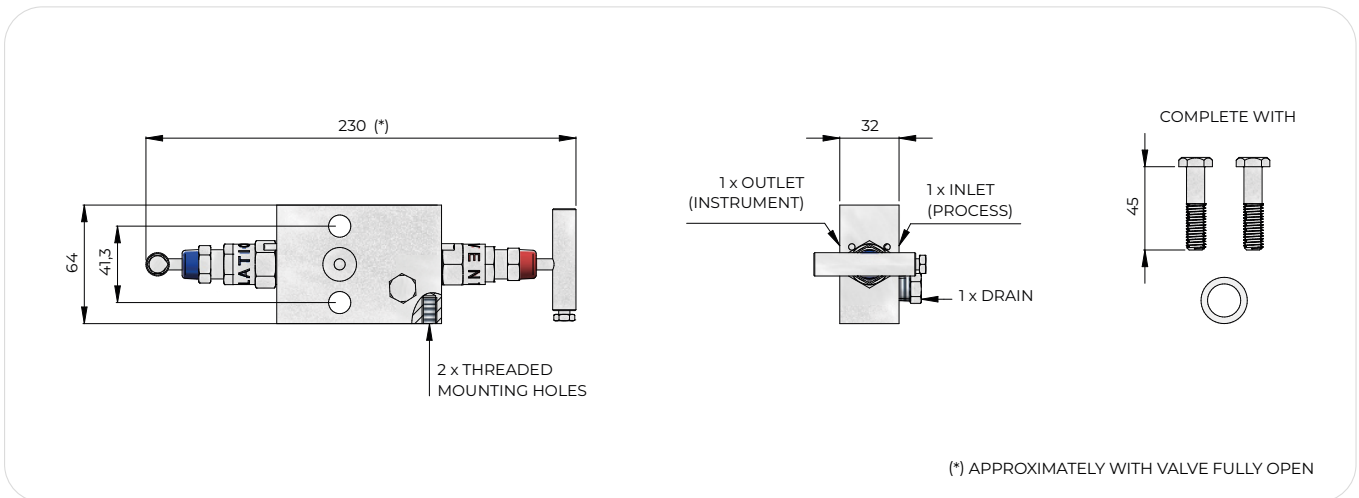
Back to Index

2-VALVES MANIFOLD DIRECT MOUNTING  
2D9 SERIE



**Technical Features:**

- Bar stock body
- Non-Rotating plug tip
- Lock pin to prevent accidental loosening of bonnet
- Dust cap for stem protection
- Colour coded functional identification
- Externally adjustable gland
- Complete with vent/drain plug made in same body material
- PED-ATEX-EAC



**How to order:**

MANIFOLD SERIE	PRESSURE RATING	BODY MATERIAL	PACKING MATERIAL	INLET (PROCESS)	OUTLET (INSTRUMENT)	DRAIN	OPTIONS	ACCESSORIES	SPECIAL EXECUTIONS
2D9	A: 6000 psi (5 mm bore)	01: AISI 316/L	A: PTFE (up to 200°C at 20 bar)	07: Flanged	07: Flanged	A: 1/4" NPT-F	A: No option	01: No accessories	A0: Not required
		08: Monel 400							
		09: Hastelloy C276							
		10: Inconel 625							
		11: Inconel 825	B: Graphoil (up to 500°C at 20 bar)	64: EN/IEC 61518 B	52: EN/IEC 61518 B	B: 1/4" BSPP-F	B: NACE MR0103		
		12: F51 UNS S31803							
		13: F53 UNS S32750							
		14: F55 UNS S32760							
16: 6Mo UNS S31254	C: Degreased for O <sub>2</sub>								

• Other materials and connections are available on request

• Example of part number: **2D9 A 01 A 07 07 B A 01 A0**

MANIFOLD SERIE 2D9-RATING 6.000 psi-BODY MATERIAL IN AISI 316/L-PTFE PACKING-INLET AND OUTLET FLANGED-DRAIN 1/4"BSPP-F-NO OPTION-NO ACCESSORIES

• Please consult the Accessories section starting from page 97 for available accessories

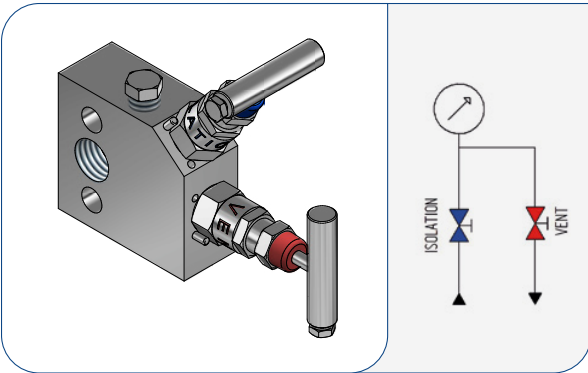
# INSTRUMENT MANIFOLDS

2-VALVES MANIFOLD  
DIRECT MOUNTING X FEMALE THREAD

bulk

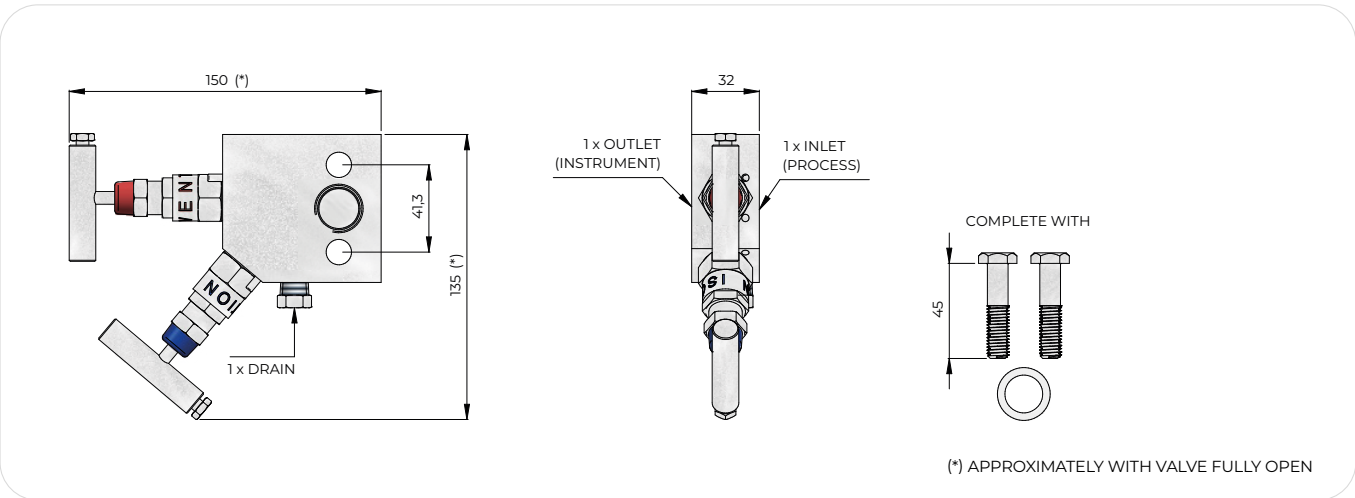


[Back to Index](#)



### Technical Features:

- Bar stock body
- Non-Rotating plug tip
- Lock pin to prevent accidental loosening of bonnet
- Dust cap for stem protection
- Colour coded functional identification
- Externally adjustable gland
- Complete with vent/drain plug made in same body material
- PED-ATEX-EAC



2-VALVES MANIFOLD DIRECT MOUNTING  
2D10 SERIE

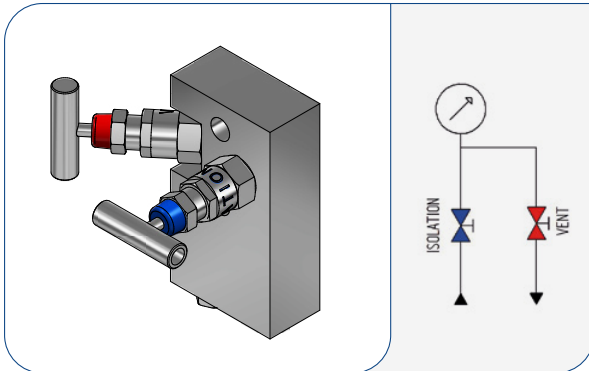
### How to order:

MANIFOLD SERIE	PRESSURE RATING	BODY MATERIAL	PACKING MATERIAL	INLET	OUTLET	DRAIN	OPTIONS	ACCESSORIES	SPECIAL EXECUTIONS
2D10	A: 6000 psi (5 mm bore)	01: AISI 316/L	A: PTFE (up to 200°C at 20 bar)	01: 1/2" NPT-F	07: Flanged	A: 1/4" NPT-F	A: No option	01: No accessories	A0: Not required
		08: Monel 400							
		09: Hastelloy C276							
		10: Inconel 625							
		11: Inconel 825	B: Graphoil (up to 500°C at 20 bar)	03: 1/2" BSPP-F	52: EN/IEC 61518 B	B: 1/4" BSPP-F	B: NACE MR0103		
		12: F51 UNS S31803							
		13: F53 UNS S32750							
		14: F55 UNS S32760							
16: 6Mo UNS S31254	C: Degreased for O <sub>2</sub>								

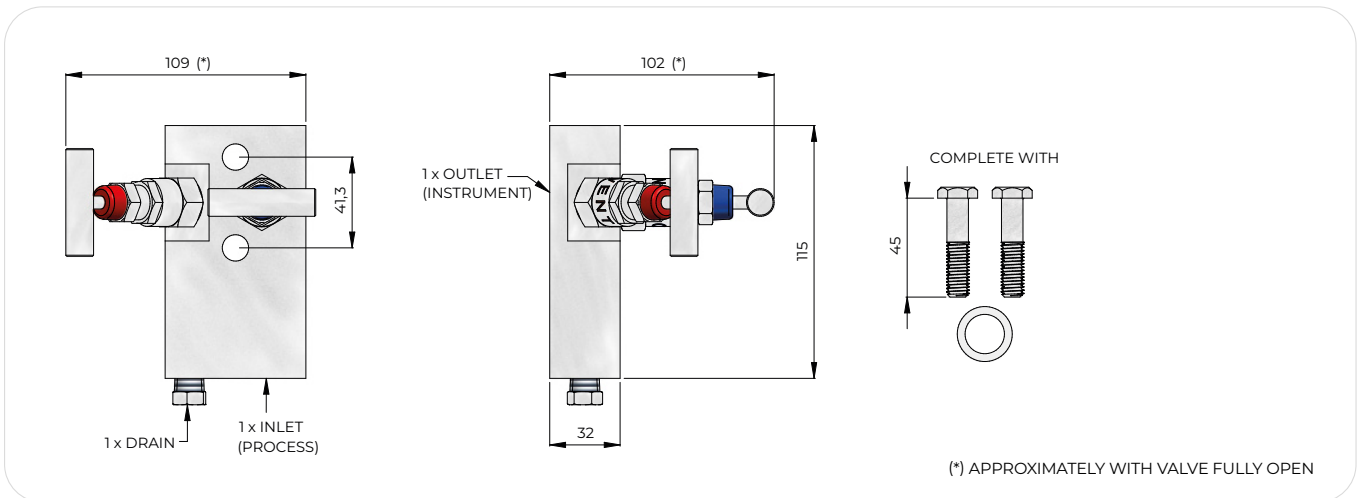
• Other materials and connections are available on request

• Example of part number: **2D10 A 01 A 03 07 A A 01 A0**  
MANIFOLD SERIE 2D10-RATING 6000 psi-BODY MATERIAL IN AISI 316/L-PTFE PACKING-INLET 1/2"BSPP-F-OUTLET FLANGED-DRAIN 1/4"NPT-F-NO OPTION-NO ACCESSORIES

• Please consult the Accessories section starting from page 97 for available accessories


**Technical Features:**

- Bar stock body
- Non-Rotating plug tip
- Lock pin to prevent accidental loosening of bonnet
- Dust cap for stem protection
- Colour coded functional identification
- Externally adjustable gland
- Complete with vent/drain plug made in same body material
- PED-ATEX-EAC


**How to order:**

MANIFOLD SERIE	PRESSURE RATING	BODY MATERIAL	PACKING MATERIAL	INLET (PROCESS)	OUTLET (INSTRUMENT)	DRAIN	OPTIONS	ACCESSORIES	SPECIAL EXECUTIONS
2D11	A: 6000 psi (5 mm bore)	01: AISI 316/L	A: PTFE (up to 200°C at 20 bar)	01: 1/2" NPT-F	07: Flanged	A: 1/4" NPT-F	A: No option	01: No accessories	A0: Not required
		08: Monel 400							
		09: Hastelloy C276							
		10: Inconel 625							
		11: Inconel 825	B: Graphoil (up to 500°C at 20 bar)	03: 1/2" BSPF-F	52: EN/IEC 61518 B	B: 1/4" BSPF-F	C: Degreased for O <sub>2</sub>		
		12: F51 UNS S31803							
		13: F53 UNS S32750							
		14: F55 UNS S32760							
16: 6Mo UNS S31254									

• Other materials and connections are available on request

• Example of part number: **2D11 | A | 01 | A | 03 | 07 | A | A | 01 | A0**  
 MANIFOLD SERIE 2D11-RATING 6.000 psi-BODY MATERIAL IN AISI 316/L-PTFE PACKING-INLET 1/2"BSPP-F-OUTLET FLANGED-DRAIN 1/4"NPT-F-NO OPTION-NO ACCESSORIES

• Please consult the Accessories section starting from page 97 for available accessories

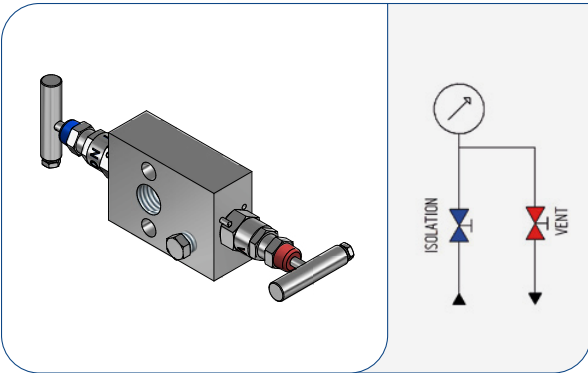
# INSTRUMENT MANIFOLDS

2-VALVES MANIFOLD  
DIRECT MOUNTING X FEMALE THREAD

bulk

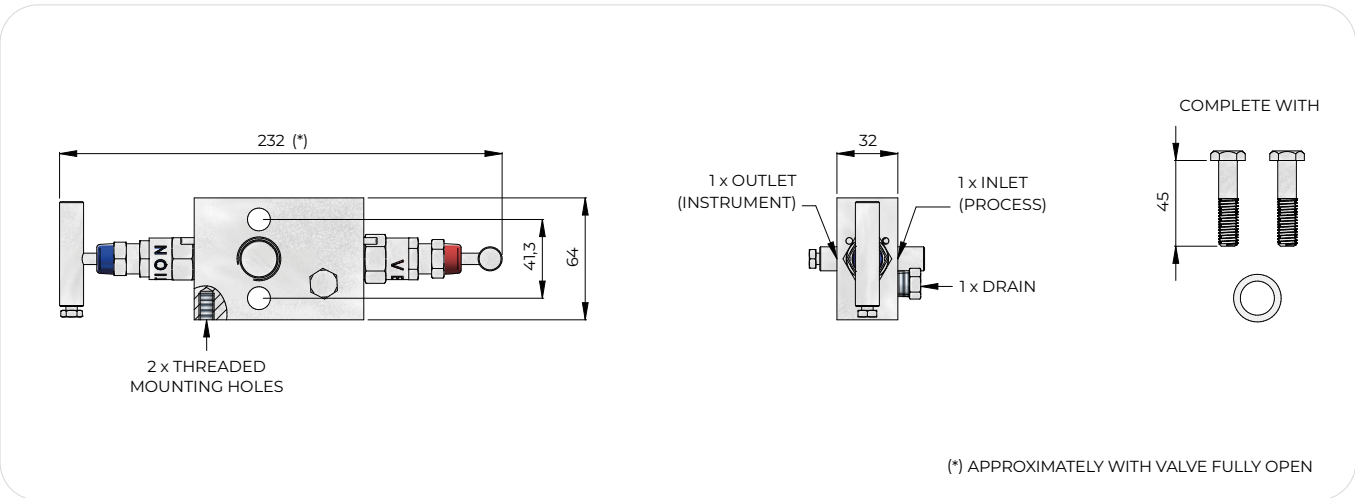


[Back to Index](#)



### Technical Features:

- Bar stock body
- Non-Rotating plug tip
- Lock pin to prevent accidental loosening of bonnet
- Dust cap for stem protection
- Colour coded functional identification
- Externally adjustable gland
- Complete with vent/drain plug made in same body material
- PED-ATEX-EAC



2-VALVES MANIFOLD DIRECT MOUNTING  
2D12 SERIE

### How to order:

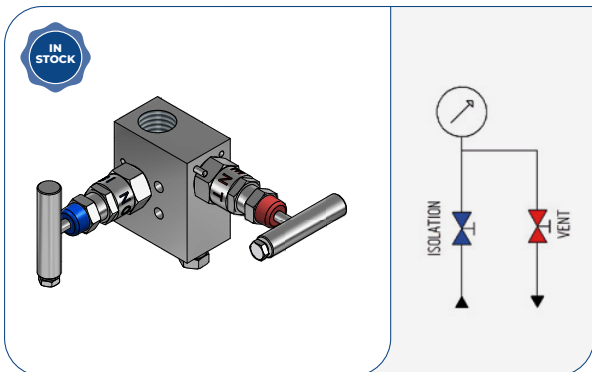
MANIFOLD SERIE	PRESSURE RATING	BODY MATERIAL	PACKING MATERIAL	INLET	OUTLET	DRAIN	OPTIONS	ACCESSORIES	SPECIAL EXECUTIONS
2D12	A: 6000 psi (5 mm bore)	01: AISI 316/L	A: PTFE (up to 200°C at 20 bar)	01: 1/2" NPT-F	07: Flanged	A: 1/4" NPT-F	A: No option	01: No accessories	A0: Not required
		08: Monel 400							
		09: Hastelloy C276							
		10: Inconel 625							
		11: Inconel 825	B: Graphoil (up to 500°C at 20 bar)	03: 1/2" BSPP-F	52: EN/IEC 61518 B	B: 1/4" BSPP-F	B: NACE MR0103		
		12: F51 UNS S31803							
		13: F53 UNS S32750					C: Degreased for O <sub>2</sub>		
		14: F55 UNS S32760							
16: 6Mo UNS S31254									

• Other materials and connections are available on request

• Example of part number: **2D12 | A | 01 | A | 03 | 07 | A | A | 01 | A0**

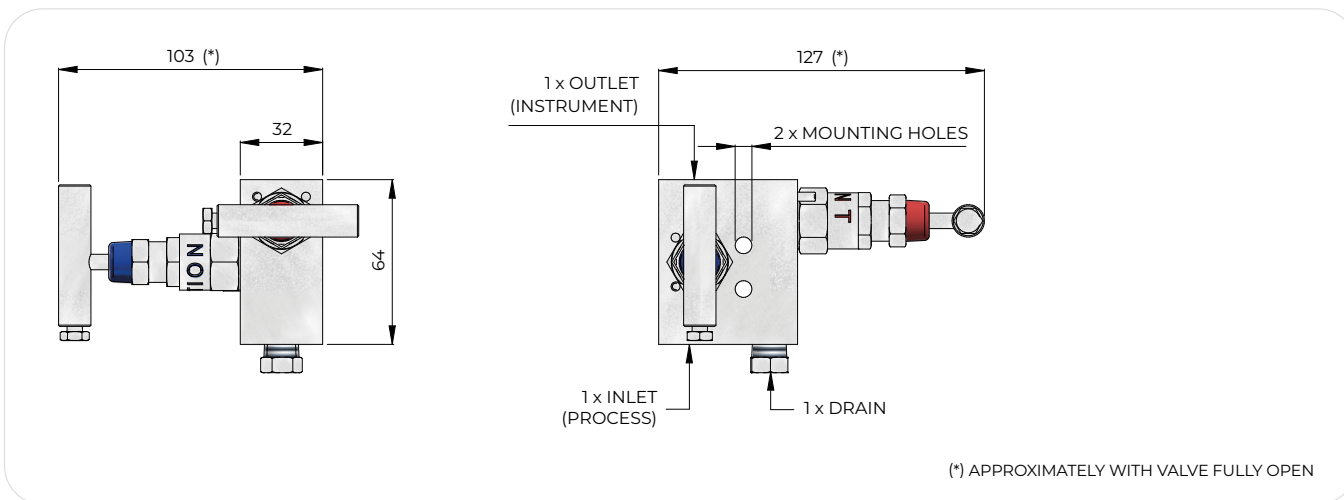
MANIFOLD SERIE 2D12-RATING 6.000 psi-BODY MATERIAL IN AISI 316/L-PTFE PACKING-INLET 1/2"BSPP-F-OUTLET FLANGED-DRAIN 1/4"NPT-F-NO OPTION-NO ACCESSORIES

• Please consult the Accessories section starting from page 97 for available accessories



### Technical Features:

- Bar stock body
- Non-Rotating plug tip
- Lock pin to prevent accidental loosening of bonnet
- Dust cap for stem protection
- Colour coded functional identification
- Externally adjustable gland
- Complete with vent/drain plug made in same body material
- PED-ATEX-EAC



### How to order:

MANIFOLD SERIE	PRESSURE RATING	BODY MATERIAL	PACKING MATERIAL	INLET (PROCESS)	OUTLET (INSTRUMENT)	DRAIN	OPTIONS	ACCESSORIES	SPECIAL EXECUTIONS
2R1	A: 6000 psi (5 mm bore)	01: AISI 316/L	A: PTFE (up to 200°C at 20 bar)	01: 1/2" NPT-F	01: 1/2" NPT-F	A: 1/4" NPT-F	A: No option		
		08: Monel 400							
		09: Hastelloy C276							
		10: Inconel 625							
		11: Inconel 825							
	B: 10000 psi (4 mm bore) (Available with PTFE gasket only)	12: F51 UNS S31803	B: Graphoil (up to 500°C at 20 bar)	03: 1/2" BSPP-F	03: 1/2" BSPP-F	B: 1/4" BSPP-F	B: NACE MR0103	01: No accessories	AO: Not required
		13: F53 UNS S32750							
		14: F55 UNS S32760							
		16: 6Mo UNS S31254							

• Other materials and connections are available on request

• Example of part number: **2R1 A 01 A 03 03 B A 01 A0**  
 MANIFOLD SERIE 2R1-RATING 6.000 psi-WETTED PARTS IN AISI 316/L-PTFE PACKING-INLET AND OUTLET 1/2"BSPP-F-DRAIN 1/4"BSPP-F-NO OPTION-NO ACCESSORIES

• Please consult the Accessories section starting from page 97 for available accessories

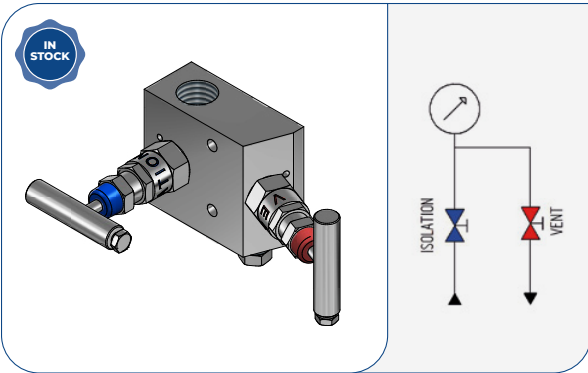
# INSTRUMENT MANIFOLDS

2-VALVES MANIFOLD  
REMOTE MOUNTING THREADED FEMALE/FEMALE

bulk



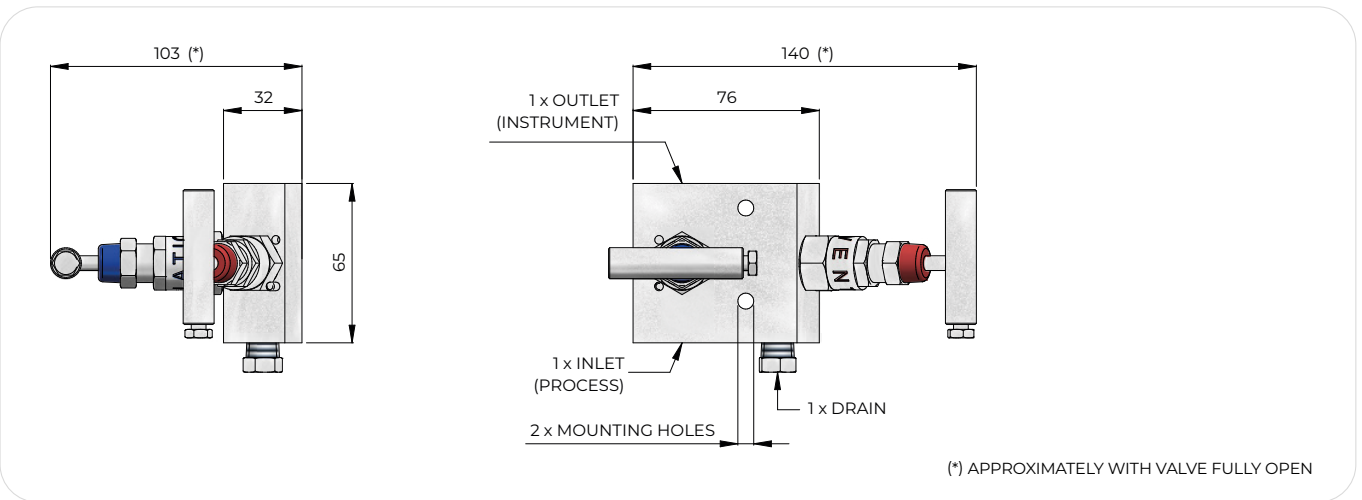
[Back to Index](#)



### Technical Features:

- Bar stock body
- Non-Rotating plug tip
- Lock pin to prevent accidental loosening of bonnet
- Dust cap for stem protection
- Colour coded functional identification
- Externally adjustable gland
- Complete with vent/drain plug made in same body material
- PED-ATEX-EAC

2-VALVES MANIFOLD REMOTE MOUNTING  
2R2 SERIE



### How to order:

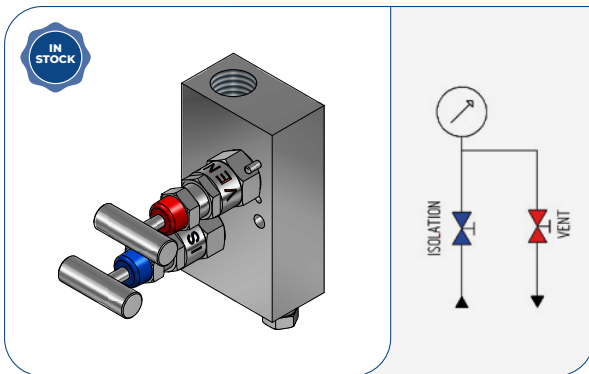
MANIFOLD SERIE	PRESSURE RATING	BODY MATERIAL	PACKING MATERIAL	INLET (PROCESS)	OUTLET (INSTRUMENT)	DRAIN	OPTIONS	ACCESSORIES	SPECIAL EXECUTIONS
2R2	A: 6000 psi (5 mm bore)	01: AISI 316/L	A: PTFE (up to 200°C at 20 bar)	01: 1/2" NPT-F	01: 1/2" NPT-F	A: 1/4" NPT-F	A: No option		
		08: Monel 400							
		09: Hastelloy C276							
		10: Inconel 625							
		11: Inconel 825							
	B: 10000 psi (4 mm bore) (Available with PTFE gasket only)	12: F51 UNS S31803	B: Graphoil (up to 500°C at 20 bar)	03: 1/2" BSPP-F	03: 1/2" BSPP-F	B: 1/4" BSPP-F	B: NACE MR0103	01: No accessories	A0: Not required
		13: F53 UNS S32750							
		14: F55 UNS S32760							
		16: 6Mo UNS S31254							

• Other materials and connections are available on request

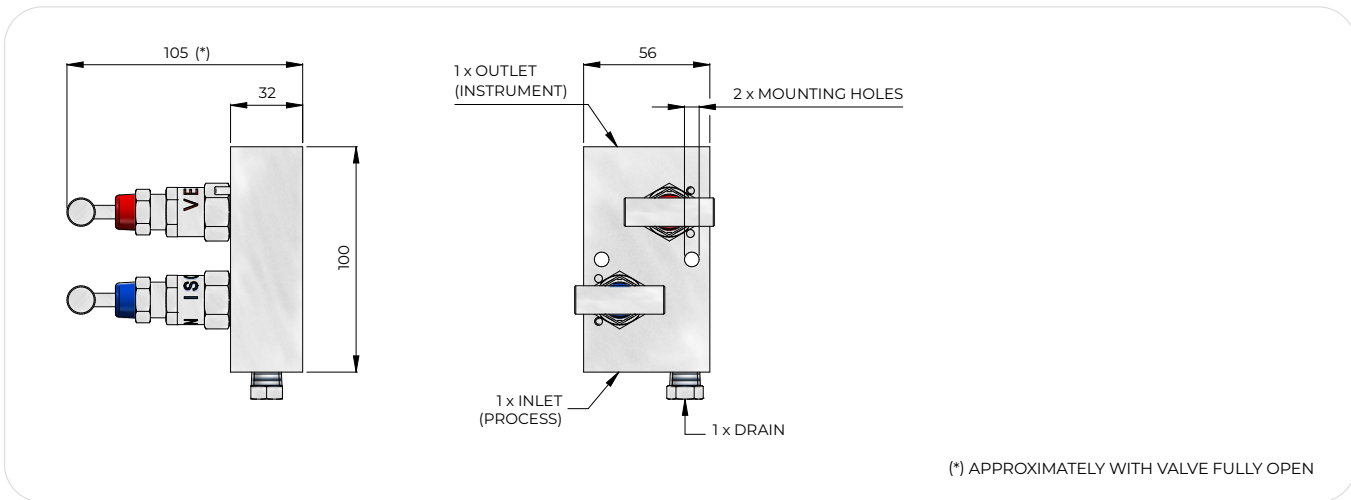
• Example of part number: **2R2 A 01 A 03 03 B A 01 A0**

MANIFOLD SERIE 2R2-RATING 6.000 psi-BODY MATERIAL IN AISI 316/L-PTFE PACKING-INLET AND OUTLET 1/2"BSPP-F-DRAIN 1/4"BSPP-F-NO OPTION-NO ACCESSORIES

• Please consult the Accessories section starting from page 97 for available accessories


**Technical Features:**

- Bar stock body
- Non-Rotating plug tip
- Lock pin to prevent accidental loosening of bonnet
- Dust cap for stem protection
- Colour coded functional identification
- Externally adjustable gland
- Complete with vent/drain plug made in same body material
- PED-ATEX-EAC


**How to order:**

MANIFOLD SERIE	PRESSURE RATING	BODY MATERIAL	PACKING MATERIAL	INLET (PROCESS)	OUTLET (INSTRUMENT)	DRAIN	OPTIONS	ACCESSORIES	SPECIAL EXECUTIONS
2R3	A: 6000 psi (5 mm bore)	01: AISI 316/L	A: PTFE (up to 200°C at 20 bar)	01: 1/2" NPT-F	01: 1/2" NPT-F	A: 1/4" NPT-F	A: No option	01: No accessories	A0: Not required
		08: Monel 400							
		09: Hastelloy C276							
		10: Inconel 625							
		11: Inconel 825							
	B: 10000 psi (4 mm bore) (Available with PTFE gasket only)	12: F51 UNS S31803	B: Graphoil (up to 500°C at 20 bar)	03: 1/2" BSPF-F	03: 1/2" BSPF-F	B: 1/4" BSPF-F	B: NACE MR0103	01: No accessories	A0: Not required
		13: F53 UNS S32750							
		14: F55 UNS S32760							
		16: 6Mo UNS S31254							
		C: Degreased for O <sub>2</sub>							

• Other materials and connections are available on request

• Example of part number: **2R3 A 01 A 03 03 B A 01 A0**  
 MANIFOLD SERIE 2R3-RATING 6.000 psi-BODY MATERIAL IN AISI 316/L-PTFE PACKING-INLET AND OUTLET 1/2" BSPF-F-DRAIN  
 1/4" BSPF-F-NO OPTION-NO ACCESSORIES

• Please consult the Accessories section starting from page 97 for available accessories

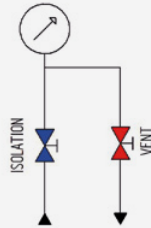
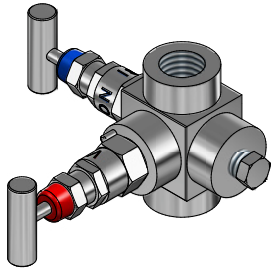
# INSTRUMENT MANIFOLDS

2-VALVES MANIFOLD  
REMOTE MOUNTING THREADED FEMALE/FEMALE

bulk

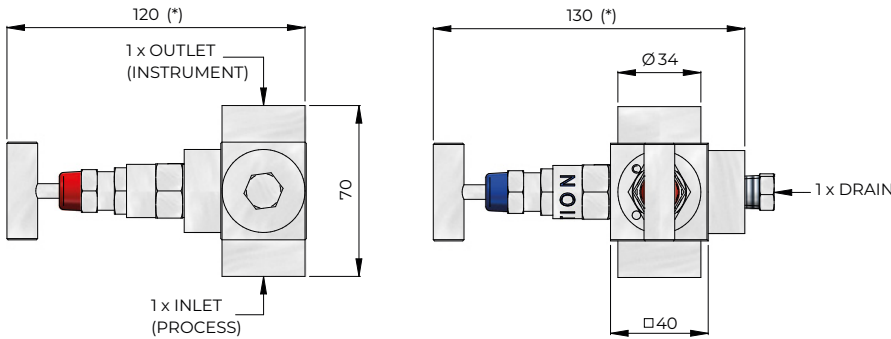


[Back to Index](#)



### Technical Features:

- Bar stock body
- Non-Rotating plug tip
- Lock pin to prevent accidental loosening of bonnet
- Dust cap for stem protection
- Colour coded functional identification
- Externally adjustable gland
- Complete with vent/drain plug made in same body material
- PED-ATEX-EAC



(\* APPROXIMATELY WITH VALVE FULLY OPEN)

### How to order:

MANIFOLD SERIE	PRESSURE RATING	BODY MATERIAL	PACKING MATERIAL	INLET (PROCESS)	OUTLET (INSTRUMENT)	DRAIN	OPTIONS	ACCESSORIES	SPECIAL EXECUTIONS
2R4	A: 6000 psi (5 mm bore)	01: AISI 316/L	A: PTFE (up to 200°C at 20 bar)	01: 1/2" NPT-F	01: 1/2" NPT-F	A: 1/4" NPT-F	A: No option	01: No accessories	A0: Not required
		08: Monel 400							
		09: Hastelloy C276							
		10: Inconel 625							
		11: Inconel 825							
	B: 10000 psi (4 mm bore) (Available with PTFE gasket only)	12: F51 UNS S31803	B: Graphoil (up to 500°C at 20 bar)	09: 1/2" SW	09: 1/2" SW	D: 1/2" NPT-F	C: Degreased for O <sub>2</sub>		
		13: F53 UNS S32750							
		14: F55 UNS S32760							
		16: 6Mo UNS S31254							

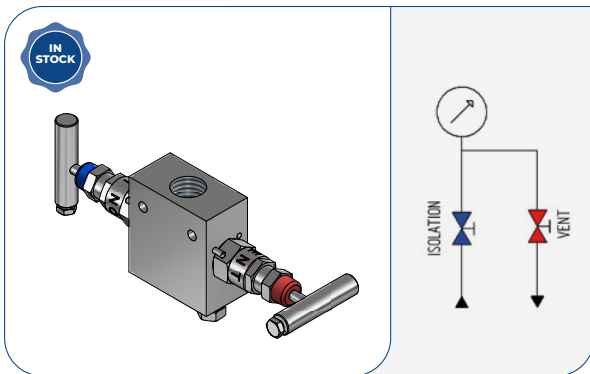
• Other materials and connections are available on request

• Example of part number: **2R4 A 01 A 01 01 D A 01 A0**

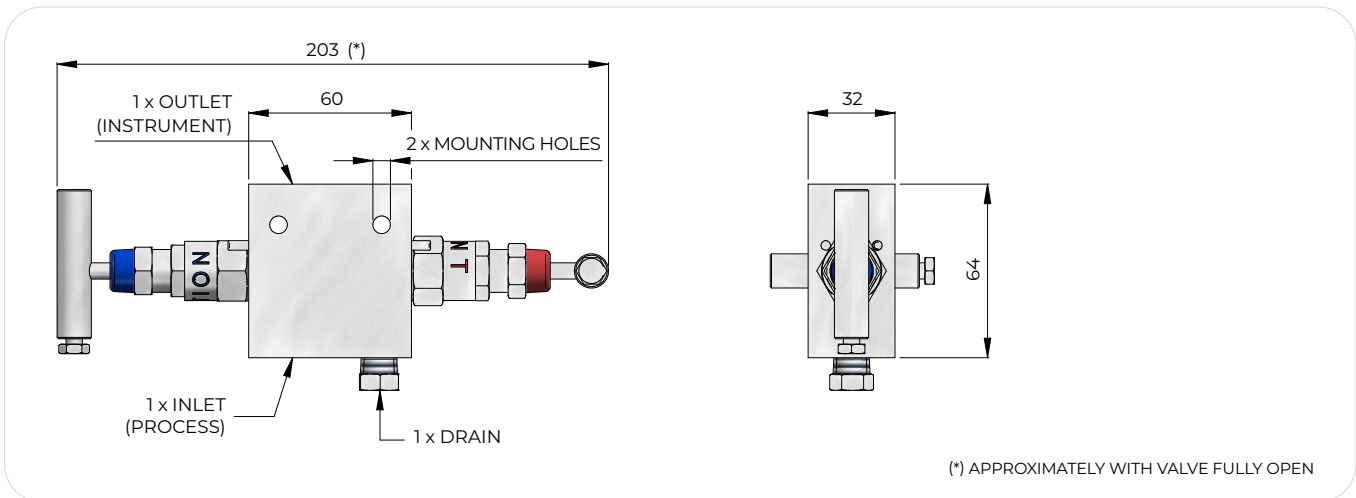
MANIFOLD SERIE 2R4-RATING 6.000 psi-BODY MATERIAL IN AISI 316/L-PTFE PACKING-INLET AND OUTLET 1/2"NPT-F-DRAIN 1/2"NPT-F-NO OPTION-NO ACCESSORIES

• Please consult the Accessories section starting from page 97 for available accessories

2-VALVES MANIFOLD REMOTE MOUNTING  
2R4 SERIE


**Technical Features:**

- Bar stock body
- Non-Rotating plug tip
- Lock pin to prevent accidental loosening of bonnet
- Dust cap for stem protection
- Colour coded functional identification
- Externally adjustable gland
- Complete with vent/drain plug made in same body material
- PED-ATEX-EAC



(\*) APPROXIMATELY WITH VALVE FULLY OPEN

**How to order:**

MANIFOLD SERIE	PRESSURE RATING	BODY MATERIAL	PACKING MATERIAL	INLET (PROCESS)	OUTLET (INSTRUMENT)	DRAIN	OPTIONS	ACCESSORIES	SPECIAL EXECUTIONS
2R5	A: 6000 psi (5 mm bore)	01: AISI 316/L	A: PTFE (up to 200°C at 20 bar)	01: 1/2" NPT-F	01: 1/2" NPT-F	A: 1/4" NPT-F	A: No option	01: No accessories	A0: Not required
		08: Monel 400							
		09: Hastelloy C276							
		10: Inconel 625							
		11: Inconel 825							
	B: 10000 psi (4 mm bore) (Available with PTFE gasket only)	12: F51 UNS S31803	B: Graphoil (up to 500°C at 20 bar)	03: 1/2" BSPF-F	03: 1/2" BSPF-F	B: 1/4" BSPF-F	C: Degreased for O <sub>2</sub>		
		13: F53 UNS S32750							
		14: F55 UNS S32760							
		16: 6Mo UNS S31254							

• Other materials and connections are available on request

 • Example of part number: **2R5 A 01 A 03 03 B A 01 A0**

MANIFOLD SERIE 2R5-RATING 6.000 psi-BODY MATERIAL IN AISI 316/L-PTFE PACKING-INLET AND OUTLET 1/2" BSPF-F-DRAIN 1/4" BSPF-F-NO OPTION-NO ACCESSORIES

• Please consult the Accessories section starting from page 97 for available accessories

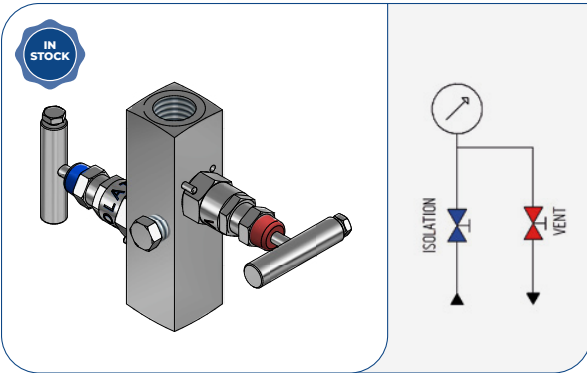
# INSTRUMENT MANIFOLDS

2-VALVES MANIFOLD  
REMOTE MOUNTING THREADED FEMALE/FEMALE

bulk



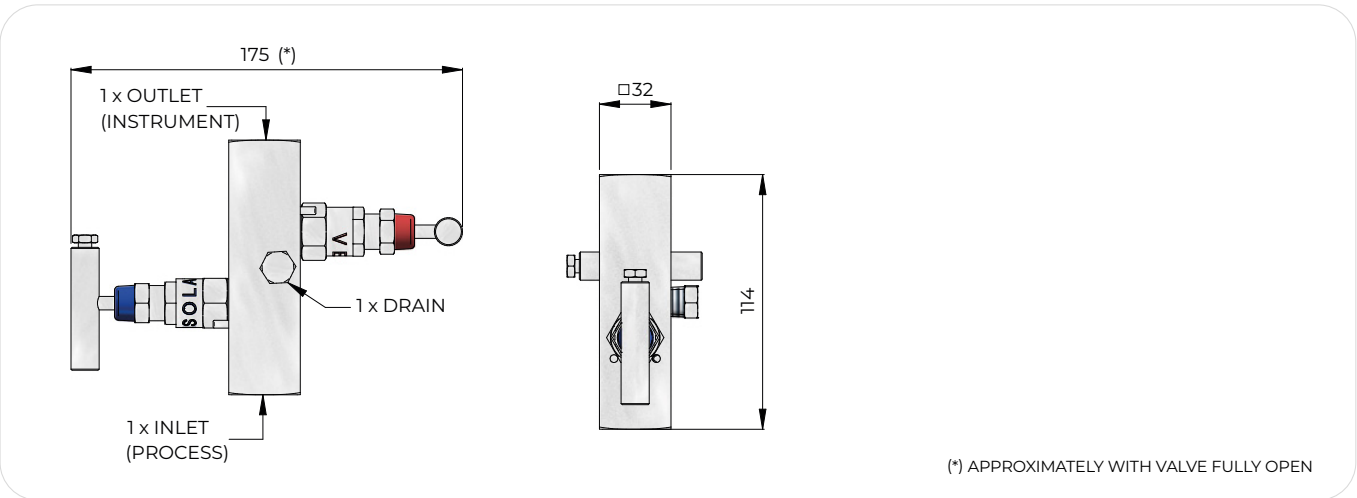
[Back to Index](#)



### Technical Features:

- Bar stock body
- Non-Rotating plug tip
- Lock pin to prevent accidental loosening of bonnet
- Dust cap for stem protection
- Colour coded functional identification
- Externally adjustable gland
- Complete with vent/drain plug made in same body material
- PED-ATEX-EAC

2-VALVES MANIFOLD REMOTE MOUNTING  
2R6 SERIE



(\*) APPROXIMATELY WITH VALVE FULLY OPEN

### How to order:

MANIFOLD SERIE	PRESSURE RATING	BODY MATERIAL	PACKING MATERIAL	INLET (PROCESS)	OUTLET (INSTRUMENT)	DRAIN	OPTIONS	ACCESSORIES	SPECIAL EXECUTIONS
2R6	A: 6000 psi (5 mm bore)	01: AISI 316/L	A: PTFE (up to 200°C at 20 bar)	01: 1/2"NPT-F	01: 1/2"NPT-F	A: 1/4"NPT-F	A: No option	01: No accessories	A0: Not required
		08: Monel 400							
		09: Hastelloy C276							
		10: Inconel 625							
		11: Inconel 825							
	B: 10000 psi (4 mm bore) (Available with PTFE gasket only)	12: F51 UNS S31803	B: Graphoil (up to 500°C at 20 bar)	03: 1/2"BSPP-F	03: 1/2"BSPP-F	B: 1/4"BSPP-F	B: NACE MR0103	01: No accessories	A0: Not required
		13: F53 UNS S32750							
		14: F55 UNS S32760							
		16: 6Mo UNS S31254							
		C: Degreased for O <sub>2</sub>							

• Other materials and connections are available on request

• Example of part number: **2R6 A 01 A 03 03 B A 01 A0**

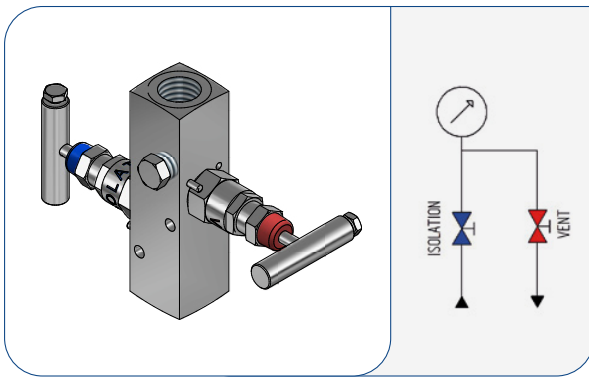
MANIFOLD SERIE 2R6-RATING 6.000 psi-BODY MATERIAL IN AISI 316/L-PTFE PACKING-INLET AND OUTLET 1/2"BSPP-F-DRAIN 1/4"BSPP-F-NO OPTION-NO ACCESSORIES

• Please consult the Accessories section starting from page 97 for available accessories



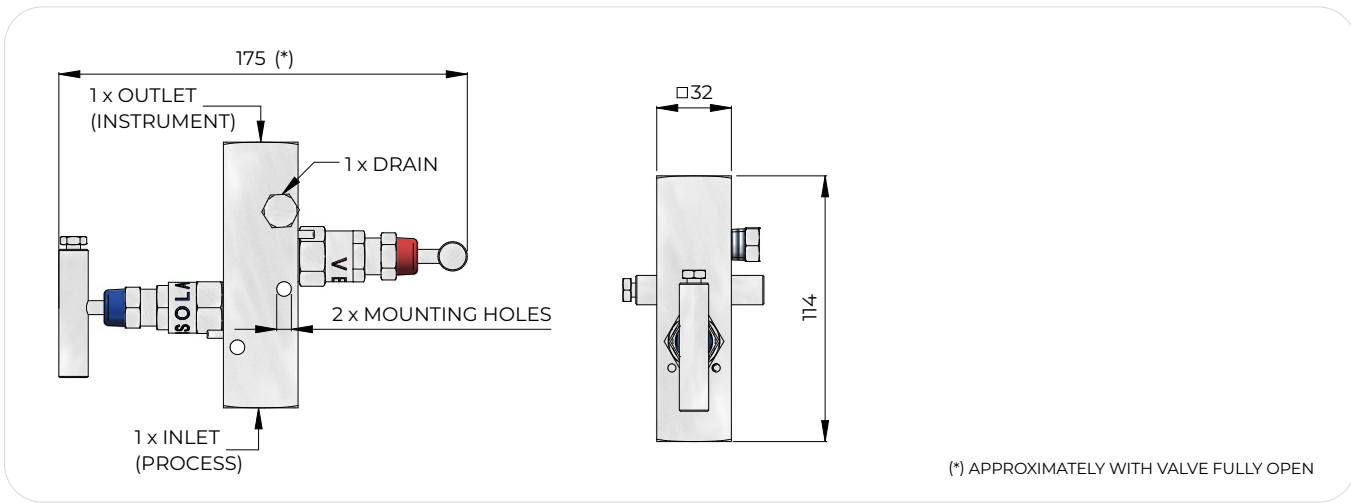
[Back to Index](#)

2-VALVES MANIFOLD REMOTE MOUNTING  
**2R6MH SERIE**



**Technical Features:**

- Bar stock body
- Non-Rotating plug tip
- Lock pin to prevent accidental loosening of bonnet
- Dust cap for stem protection
- Colour coded functional identification
- Externally adjustable gland
- Complete with vent/drain plug made in same body material
- PED-ATEX-EAC



(\*) APPROXIMATELY WITH VALVE FULLY OPEN

**How to order:**

MANIFOLD SERIE	PRESSURE RATING	BODY MATERIAL	PACKING MATERIAL	INLET (PROCESS)	OUTLET (INSTRUMENT)	DRAIN	OPTIONS	ACCESSORIES	SPECIAL EXECUTIONS
2R6MH	A: 6000 psi (5 mm bore)	01: AISI 316/L	A: PTFE (up to 200°C at 20 bar)	01: 1/2" NPT-F	01: 1/2" NPT-F	A: 1/4" NPT-F	A: No option		
		08: Monel 400							
		09: Hastelloy C276							
		10: Inconel 625							
		11: Inconel 825							
	B: 10000 psi (4 mm bore) (Available with PTFE gasket only)	12: F51 UNS S31803	B: Graphoil (up to 500°C at 20 bar)	03: 1/2" BSPF-F	03: 1/2" BSPF-F	B: 1/4" BSPF-F	B: NACE MR0103	01: No accessories	A0: Not required
		13: F53 UNS S32750							
		14: F55 UNS S32760							
		16: 6Mo UNS S31254							
		C: Degreased for O <sub>2</sub>							

• Other materials and connections are available on request

• Example of part number: **2R6MH A 01 A 03 03 B A 01 A0**

MANIFOLD SERIE 2R6MH-RATING 6.000 psi-BODY MATERIAL IN AISI 316/L-PTFE PACKING-INLET AND OUTLET 1/2"BSPP-F-DRAIN 1/4"BSPP-F-NO OPTION-NO ACCESSORIES

• Please consult the Accessories section starting from page 97 for available accessories

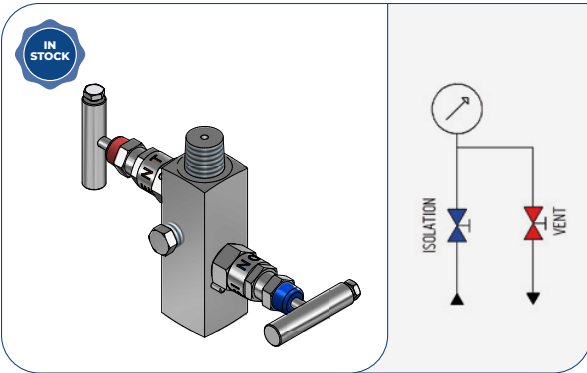
# INSTRUMENT MANIFOLDS

2-VALVES MANIFOLD  
REMOTE MOUNTING THREADED FEMALE/MALE

bulk



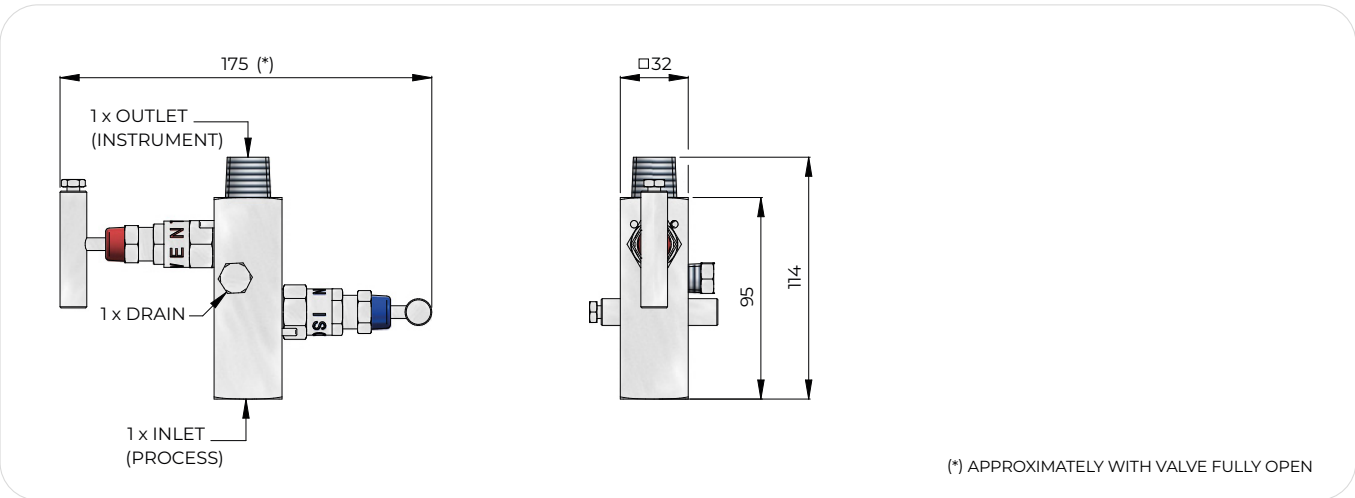
[Back to Index](#)



### Technical Features:

- Bar stock body
- Non-Rotating plug tip
- Lock pin to prevent accidental loosening of bonnet
- Dust cap for stem protection
- Colour coded functional identification
- Externally adjustable gland
- Complete with vent/drain plug made in same body material
- PED-ATEX-EAC

2-VALVES MANIFOLD REMOTE MOUNTING  
2R7 SERIE



(\*) APPROXIMATELY WITH VALVE FULLY OPEN

### How to order:

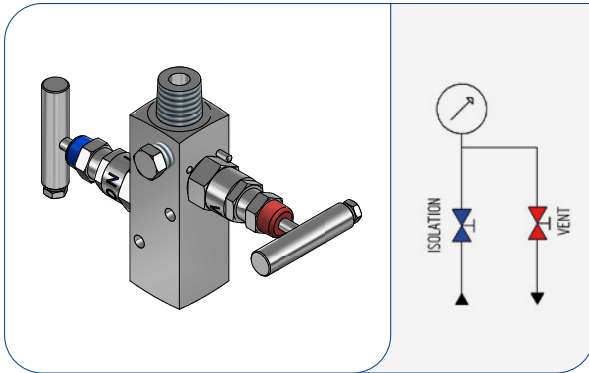
MANIFOLD SERIE	PRESSURE RATING	BODY MATERIAL	PACKING MATERIAL	INLET (PROCESS)	OUTLET (INSTRUMENT)	DRAIN	OPTIONS	ACCESSORIES	SPECIAL EXECUTIONS	
2R7	A: 6000 psi (5 mm bore)	01: AISI 316/L	A: PTFE (up to 200°C at 20 bar)	01: 1/2" NPT-F	02: 1/2" NPT-M	A: 1/4" NPT-F	A: No option			
		08: Monel 400								
		09: Hastelloy C276								
		10: Inconel 625								
		11: Inconel 825								
	B: 10000 psi (4 mm bore) (Available with PTFE gasket only)	12: F51 UNS S31803	B: Graphoil (up to 500°C at 20 bar)	03: 1/2" BSPP-F	04: 1/2" BSPP-M	B: 1/4" BSPP-F	B: NACE MR0103	01: No accessories		A0: Not required
		13: F53 UNS S32750								
		14: F55 UNS S32760								
		16: 6Mo UNS S31254								

• Other materials and connections are available on request

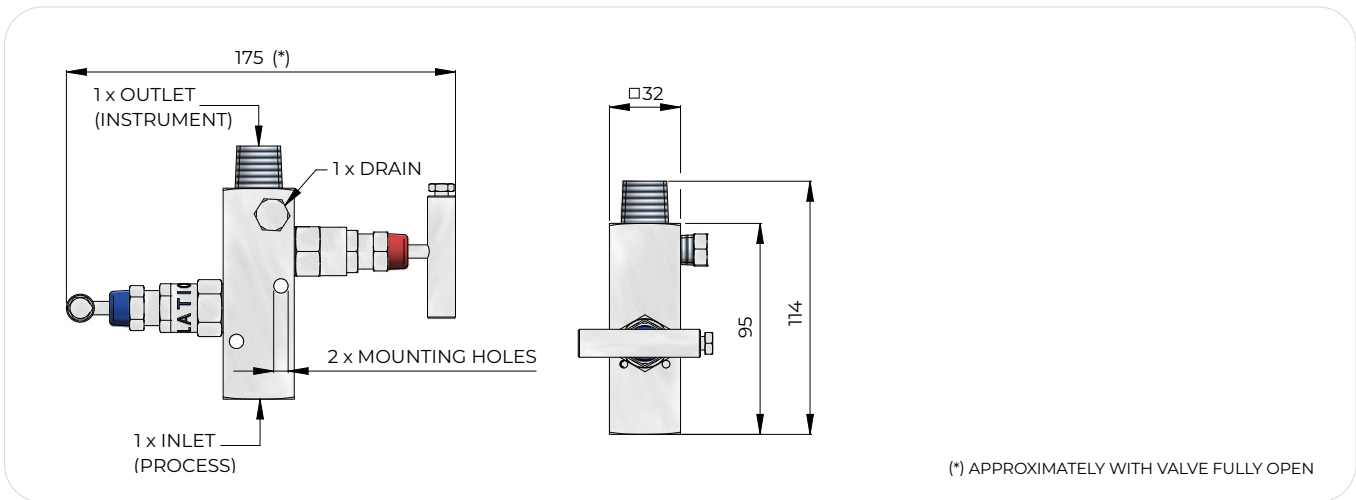
• Example of part number: **2R7 A 01 A 03 04 B A 01 A**

MANIFOLD SERIE 2R7-RATING 6.000 psi-BODY MATERIAL IN AISI 316/L-PTFE PACKING-INLET 1/2"BSPP-F-OUTLET 1/2"BSPP-M-DRAIN 1/4"BSPP-F-NO OPTION-NO ACCESSORIES

• Please consult the Accessories section starting from page 97 for available accessories


**Technical Features:**

- Bar stock body
- Non-Rotating plug tip
- Lock pin to prevent accidental loosening of bonnet
- Dust cap for stem protection
- Colour coded functional identification
- Externally adjustable gland
- Complete with vent/drain plug made in same body material
- PED-ATEX-EAC



(\*) APPROXIMATELY WITH VALVE FULLY OPEN

**How to order:**

MANIFOLD SERIE	PRESSURE RATING	BODY MATERIAL	PACKING MATERIAL	INLET (PROCESS)	OUTLET (INSTRUMENT)	DRAIN	OPTIONS	ACCESSORIES	SPECIAL EXECUTIONS
2R7MH	A: 6000 psi (5 mm bore)	01: AISI 316/L	A: PTFE (up to 200°C at 20 bar)	01: 1/2" NPT-F	02: 1/2" NPT-M	A: 1/4" NPT-F	A: No option		
		08: Monel 400							
		09: Hastelloy C276							
		10: Inconel 625							
		11: Inconel 825							
	B: 10000 psi (4 mm bore) (Available with PTFE gasket only)	12: F51 UNS S31803	B: Graphoil (up to 500°C at 20 bar)	03: 1/2" BSPP-F	04: 1/2" BSPP-M	B: 1/4" BSPP-F	B: NACE MR0103	01: No accessories	A0: Not required
		13: F53 UNS S32750							
		14: F55 UNS S32760							
		16: 6Mo UNS S31254							
		C: Degreased for O <sub>2</sub>							

• Other materials and connections are available on request

 • Example of part number: **2R7MH A 01 A 03 04 B A 01 A0**

MANIFOLD SERIE 2R7MH-RATING 6.000 psi-BODY MATERIAL IN AISI 316/L-PTFE PACKING-INLET 1/2"BSPP-F-OUTLET 1/2"BSPP-M-DRAIN 1/4"BSPP-F-NO OPTION-NO ACCESSORIES

• Please consult the Accessories section starting from page 97 for available accessories

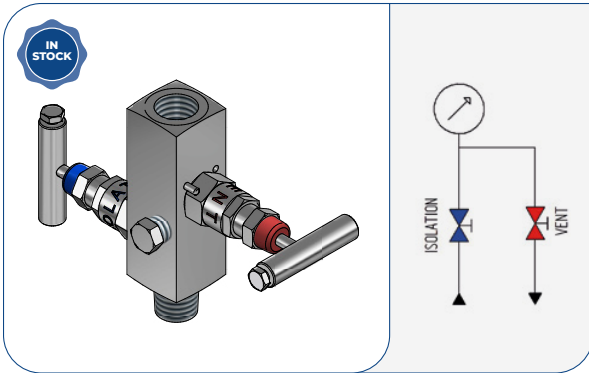
# INSTRUMENT MANIFOLDS

2-VALVES MANIFOLD  
REMOTE MOUNTING THREADED MALE/FEMALE

bulk



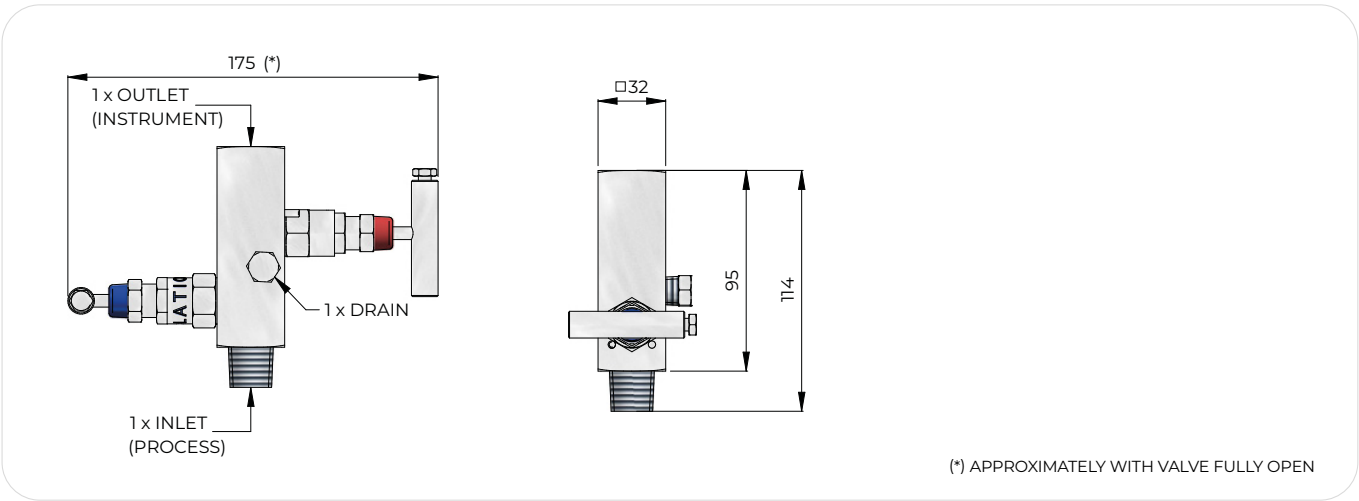
[Back to Index](#)



### Technical Features:

- Bar stock body
- Non-Rotating plug tip
- Lock pin to prevent accidental loosening of bonnet
- Dust cap for stem protection
- Colour coded functional identification
- Externally adjustable gland
- Complete with vent/drain plug made in same body material
- PED-ATEX-EAC

2-VALVES MANIFOLD REMOTE MOUNTING  
2R8 SERIE



### How to order:

MANIFOLD SERIE	PRESSURE RATING	BODY MATERIAL	PACKING MATERIAL	INLET (PROCESS)	OUTLET (INSTRUMENT)	DRAIN	OPTIONS	ACCESSORIES	SPECIAL EXECUTIONS
2R8	A: 6000 psi (5 mm bore)	01: AISI 316/L	A: PTFE (up to 200°C at 20 bar)	02: 1/2" NPT-M	01: 1/2" NPT-F	A: 1/4" NPT-F	A: No option	01: No accessories	A0: Not required
		08: Monel 400							
		09: Hastelloy C276							
		10: Inconel 625							
		11: Inconel 825							
	B: 10000 psi (4 mm bore) (Available with PTFE gasket only)	12: F51 UNS S31803	B: Graphoil (up to 500°C at 20 bar)	04: 1/2" BSPP-M	03: 1/2" BSPP-F	B: 1/4" BSPP-F	C: Degreased for O <sub>2</sub>		
		13: F53 UNS S32750							
		14: F55 UNS S32760							
		16: 6Mo UNS S31254							

• Other materials and connections are available on request

• Example of part number: **2R8 A 01 A 04 03 B A 01 A0**

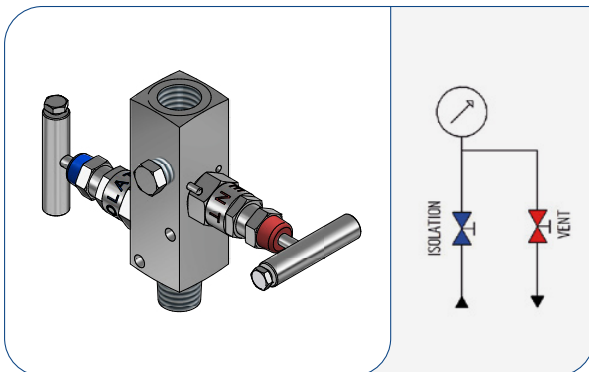
MANIFOLD SERIE 2R8-RATING 6.000 psi-BODY MATERIAL IN AISI 316/L-PTFE PACKING-INLET 1/2"BSPP-M-OUTLET 1/2"BSPP-F-DRAIN 1/4"BSPP-F-NO OPTION-NO ACCESSORIES

• Please consult the Accessories section starting from page 97 for available accessories



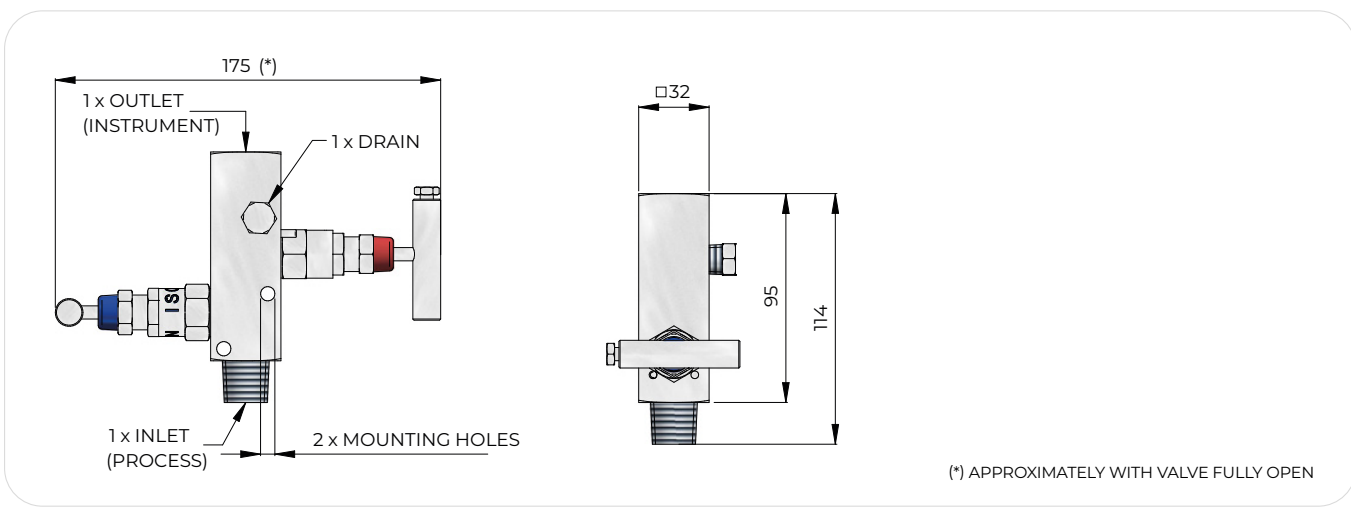
Back to Index

2-VALVES MANIFOLD REMOTE MOUNTING  
2R8MH SERIE



Technical Features:

- Bar stock body
- Non-Rotating plug tip
- Lock pin to prevent accidental loosening of bonnet
- Dust cap for stem protection
- Colour coded functional identification
- Externally adjustable gland
- Complete with vent/drain plug made in same body material
- PED-ATEX-EAC



How to order:

MANIFOLD SERIE	PRESSURE RATING	BODY MATERIAL	PACKING MATERIAL	INLET (PROCESS)	OUTLET (INSTRUMENT)	DRAIN	OPTIONS	ACCESSORIES	SPECIAL EXECUTIONS
2R8MH	A: 6000 psi (5 mm bore)	01: AISI 316/L	A: PTFE (up to 200°C at 20 bar)	02: 1/2" NPT-M	01 1/2" NPT-F	A: 1/4" NPT-F	A: No option		A0: Not required
		08: Monel 400							
		09: Hastelloy C276							
		10: Inconel 625							
		11: Inconel 825							
	B: 10000 psi (4 mm bore) (Available with PTFE gasket only)	12: F51 UNS S31803	B: Graphoil (up to 500°C at 20 bar)	04: 1/2" BSPP-M	03: 1/2" BSPP-F	B: 1/4" BSPP-F	B: NACE MR0103	01: No accessories	
		13: F53 UNS S32750							
		14: F55 UNS S32760							
		16: 6Mo UNS S31254							
		C: Degreased for O <sub>2</sub>							

• Other materials and connections are available on request

• Example of part number: **2R8MH A 01 A 04 03 B A 01 A0**

MANIFOLD SERIE 2R8MH-RATING 6.000 psi-BODY MATERIAL IN AISI 316/L-PTFE PACKING-INLET 1/2"BSPP-M-OUTLET 1/2"BSPP-F-DRAIN 1/4"BSPP-F-NO OPTION-NO ACCESSORIES

• Please consult the Accessories section starting from page 97 for available accessories

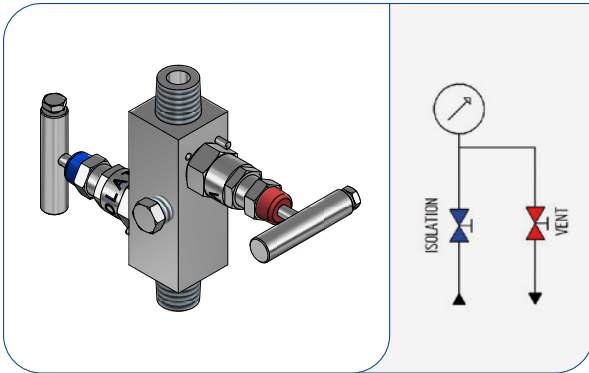
# INSTRUMENT MANIFOLDS

2-VALVES MANIFOLD  
REMOTE MOUNTING THREADED MALE/MALE

bulk

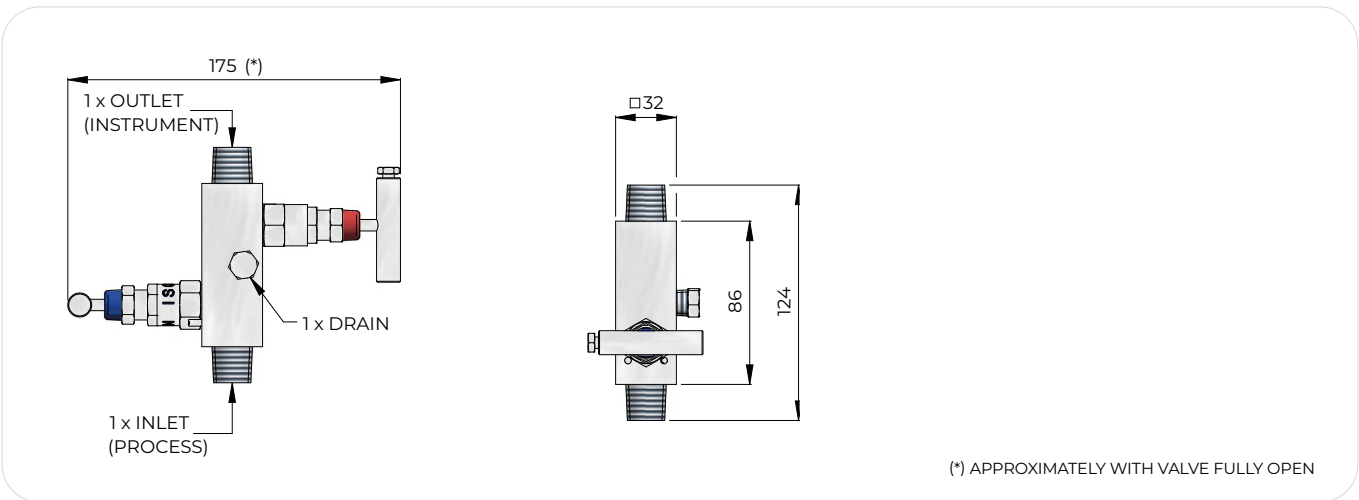


[Back to Index](#)



### Technical Features:

- Bar stock body
- Non-Rotating plug tip
- Lock pin to prevent accidental loosening of bonnet
- Dust cap for stem protection
- Colour coded functional identification
- Externally adjustable gland
- Complete with vent/drain plug made in same body material
- PED-ATEX-EAC



(\*) APPROXIMATELY WITH VALVE FULLY OPEN

### How to order:

MANIFOLD SERIE	PRESSURE RATING	BODY MATERIAL	PACKING MATERIAL	INLET (PROCESS)	OUTLET (INSTRUMENT)	DRAIN	OPTIONS	ACCESSORIES	SPECIAL EXECUTIONS	
2R9	A: 6000 psi (5 mm bore)	01: AISI 316/L	A: PTFE (up to 200°C at 20 bar)	02: 1/2" NPT-M	02: 1/2" NPT-M	A: 1/4" NPT-F	A: No option	01: No accessories	A0: Not required	
		08: Monel 400								
		09: Hastelloy C276								
		10: Inconel 625								
		11: Inconel 825								
	B: 10000 psi (4 mm bore) (Available with PTFE gasket only)	12: F51 UNS S31803	B: Graphoil (up to 500°C at 20 bar)	04: 1/2" BSPP-M	04: 1/2" BSPP-M	B: 1/4" BSPP-F	B: NACE MR0103	C: Degreased for O <sub>2</sub>		
		13: F53 UNS S32750								
		14: F55 UNS S32760								
		16: 6Mo UNS S31254								

• Other materials and connections are available on request

• Example of part number: **2R9 A 01 A 04 04 B A 01 A0**

MANIFOLD SERIE 2R9-RATING 6.000 psi-BODY MATERIAL IN AISI 316/L-PTFE PACKING-INLET AND OUTLET 1/2"BSPP-M-DRAIN 1/4"BSPP-F-NO OPTION-NO ACCESSORIES

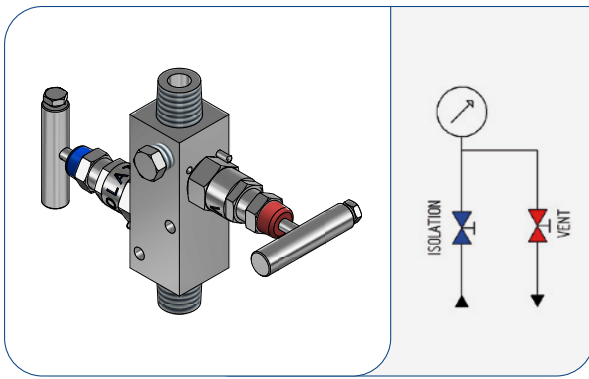
• Please consult the Accessories section starting from page 97 for available accessories

2-VALVES MANIFOLD REMOTE MOUNTING  
2R9 SERIE



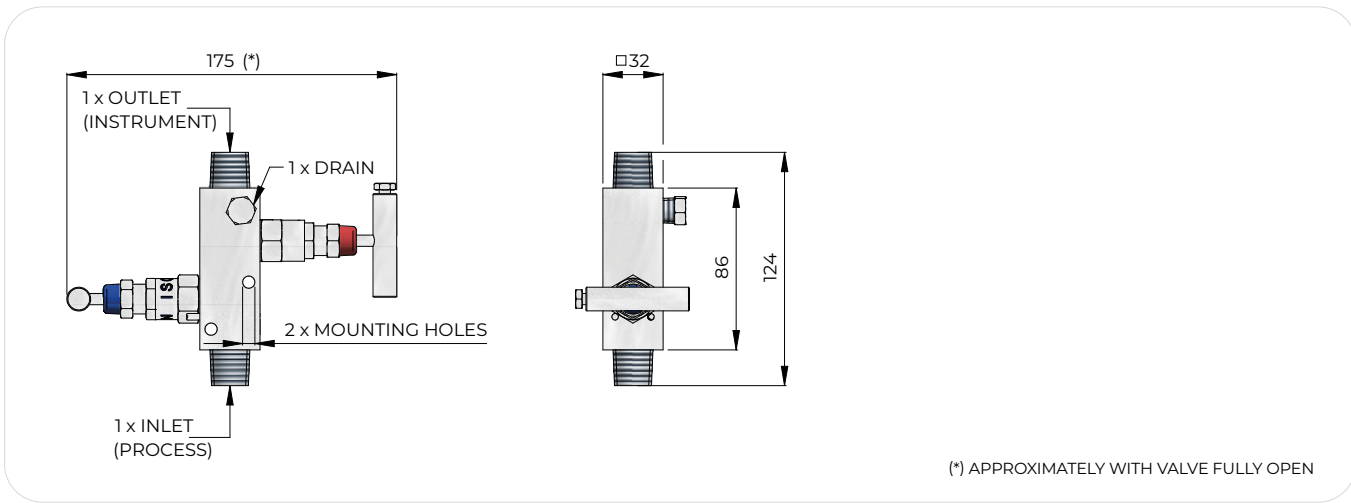
Back to Index

2-VALVES MANIFOLD REMOTE MOUNTING  
2R9MH SERIE



**Technical Features:**

- Bar stock body
- Non-Rotating plug tip
- Lock pin to prevent accidental loosening of bonnet
- Dust cap for stem protection
- Colour coded functional identification
- Externally adjustable gland
- Complete with vent/drain plug made in same body material
- PED-ATEX-EAC



(\*) APPROXIMATELY WITH VALVE FULLY OPEN

**How to order:**

MANIFOLD SERIE	PRESSURE RATING	BODY MATERIAL	PACKING MATERIAL	INLET (PROCESS)	OUTLET (INSTRUMENT)	DRAIN	OPTIONS	ACCESSORIES	SPECIAL EXECUTIONS
2R9MH	A: 6000 psi (5 mm bore)	01: AISI 316/L	A: PTFE (up to 200°C at 20 bar)	02: 1/2" NPT-M	02: 1/2" NPT-M	A: 1/4" NPT-F	A: No option		
		08: Monel 400							
		09: Hastelloy C276							
		10: Inconel 625							
		11: Inconel 825							
	B: 10000 psi (4 mm bore) (Available with PTFE gasket only)	12: F51 UNS S31803	B: Graphoil (up to 500°C at 20 bar)	04: 1/2" BSPP-M	04: 1/2" BSPP-M	B: 1/4" BSPP-F	B: NACE MR0103	01: No accessories	A0: Not required
		13: F53 UNS S32750							
		14: F55 UNS S32760							
		16: 6Mo UNS S31254							

• Other materials and connections are available on request

• Example of part number: **2R9MH A 01 A 04 04 B A 01 A0**

MANIFOLD SERIE 2R9MH-RATING 6.000 psi-BODY MATERIAL IN AISI 316/L-PTFE PACKING-INLET AND OUTLET 1/2"BSPP-M-DRAIN 1/4"BSPP-F-NO OPTION-NO ACCESSORIES

• Please consult the Accessories section starting from page 97 for available accessories

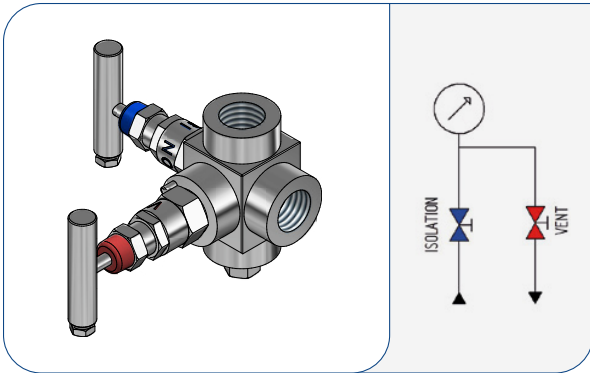
# INSTRUMENT MANIFOLDS

2-VALVES MANIFOLD  
REMOTE MOUNTING THREADED FEMALE/FEMALE AT 90°

bulk



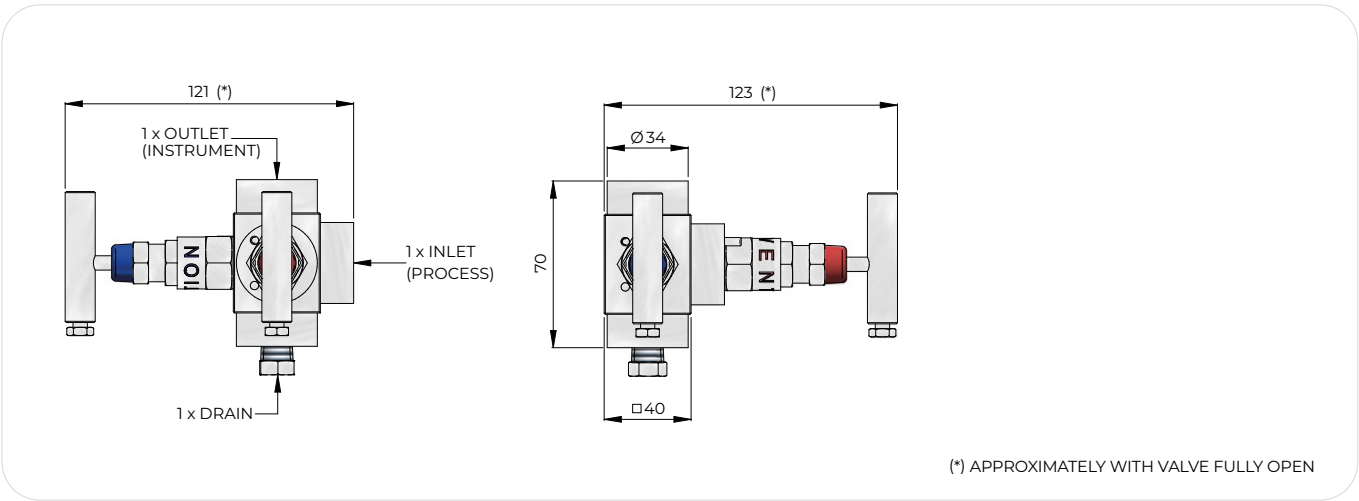
[Back to Index](#)



### Technical Features:

- Bar stock body
- Non-Rotating plug tip
- Lock pin to prevent accidental loosening of bonnet
- Dust cap for stem protection
- Colour coded functional identification
- Externally adjustable gland
- Complete with vent/drain plug made in same body material
- PED-ATEX-EAC

2-VALVES MANIFOLD REMOTE MOUNTING  
2R10 SERIE



### How to order:

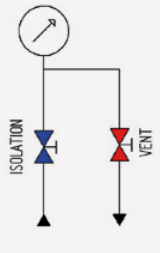
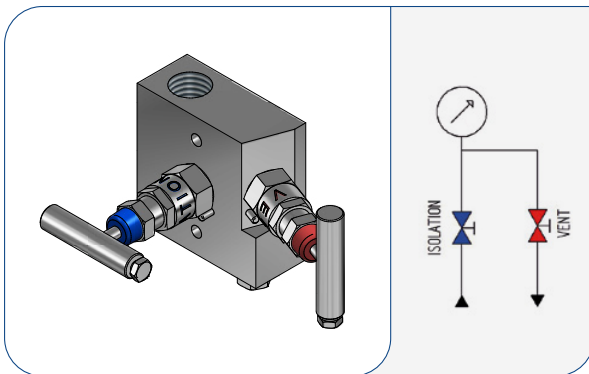
MANIFOLD SERIE	PRESSURE RATING	BODY MATERIAL	PACKING MATERIAL	INLET (PROCESS)	OUTLET (INSTRUMENT)	DRAIN	OPTIONS	ACCESSORIES	SPECIAL EXECUTIONS
2R10	A: 6000 psi (5 mm bore)	01: AISI 316/L	A: PTFE (up to 200°C at 20 bar)	01: 1/2" NPT-F	01: 1/2" NPT-F	A: 1/4" NPT-F	A: No option	01: No accessories	A0: Not required
		08: Monel 400							
		09: Hastelloy C276							
		10: Inconel 625							
		11: Inconel 825							
	B: 10000 psi (4 mm bore) (Available with PTFE gasket only)	12: F51 UNS S31803	B: Graphoil (up to 500°C at 20 bar)	03: 1/2" BSPP-F	03: 1/2" BSPP-F	B: 1/4" BSPP-F	C: Degreased for O <sub>2</sub>		
		13: F53 UNS S32750							
		14: F55 UNS S32760							
		15: F57 UNS S32768							
		16: 6Mo UNS S31254							

• Other materials and connections are available on request

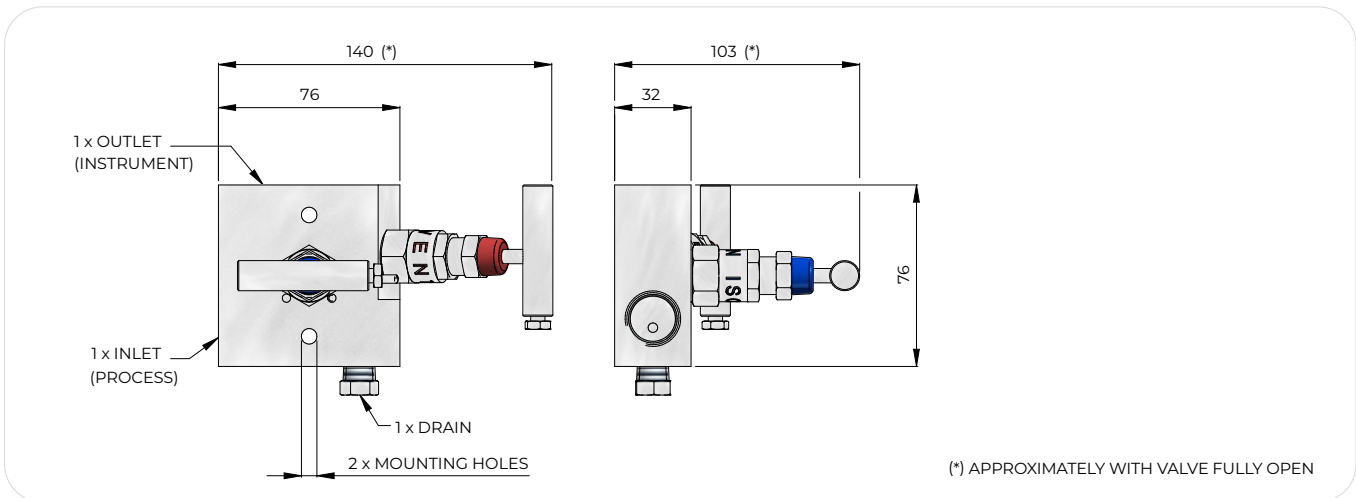
• Example of part number: **2R10 A 01 A 03 03 B A 01 A0**

MANIFOLD SERIE 2R10-RATING 6.000 psi-BODY MATERIAL IN AISI 316/L-PTFE PACKING-INLET AND OUTLET 1/2"BSPP-F-DRAIN 1/4"BSPP-F-NO OPTION-NO ACCESSORIES

• Please consult the Accessories section starting from page 97 for available accessories


**Technical Features:**

- Bar stock body
- Non-Rotating plug tip
- Lock pin to prevent accidental loosening of bonnet
- Dust cap for stem protection
- Colour coded functional identification
- Externally adjustable gland
- Complete with vent/drain plug made in same body material
- PED-ATEX-EAC


**How to order:**

MANIFOLD SERIE	PRESSURE RATING	BODY MATERIAL	PACKING MATERIAL	INLET (PROCESS)	OUTLET (INSTRUMENT)	DRAIN	OPTIONS	ACCESSORIES	SPECIAL EXECUTIONS
2R11	A: 6000 psi (5 mm bore)	01: AISI 316/L	A: PTFE (up to 200°C at 20 bar)	01: 1/2" NPT-F	01: 1/2" NPT-F	A: 1/4" NPT-F	A: No option	01: No accessories	A0: Not required
		08: Monel 400							
		09: Hastelloy C276							
		10: Inconel 625							
		11: Inconel 825							
	B: 10000 psi (4 mm bore) (Available with PTFE gasket only)	12: F51 UNS S31803	B: Graphoil (up to 500°C at 20 bar)	03: 1/2" BSPP-F	03: 1/2" BSPP-F	B: 1/4" BSPP-F	C: Degreased for O <sub>2</sub>		
		13: F53 UNS S32750							
		14: F55 UNS S32760							
		16: 6Mo UNS S31254							

• Other materials and connections are available on request

• Example of part number: **2R11 A 01 A 03 03 B A 01 A0**  
 MANIFOLD SERIE 2R11-RATING 6.000 psi-BODY MATERIAL IN AISI 316/L-PTFE PACKING-INLET AND OUTLET 1/2"BSPP-F-DRAIN 1/4"BSPP-F-NO OPTION-NO ACCESSORIES

• Please consult the Accessories section starting from page 97 for available accessories

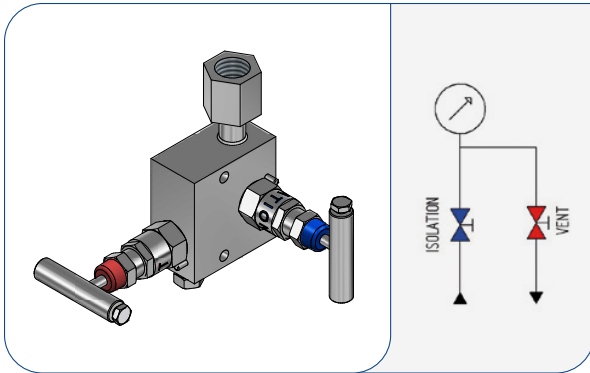
# INSTRUMENT MANIFOLDS

2-VALVES MANIFOLD  
REMOTE MOUNTING THREADED FEMALE/SWIVEL

bulk

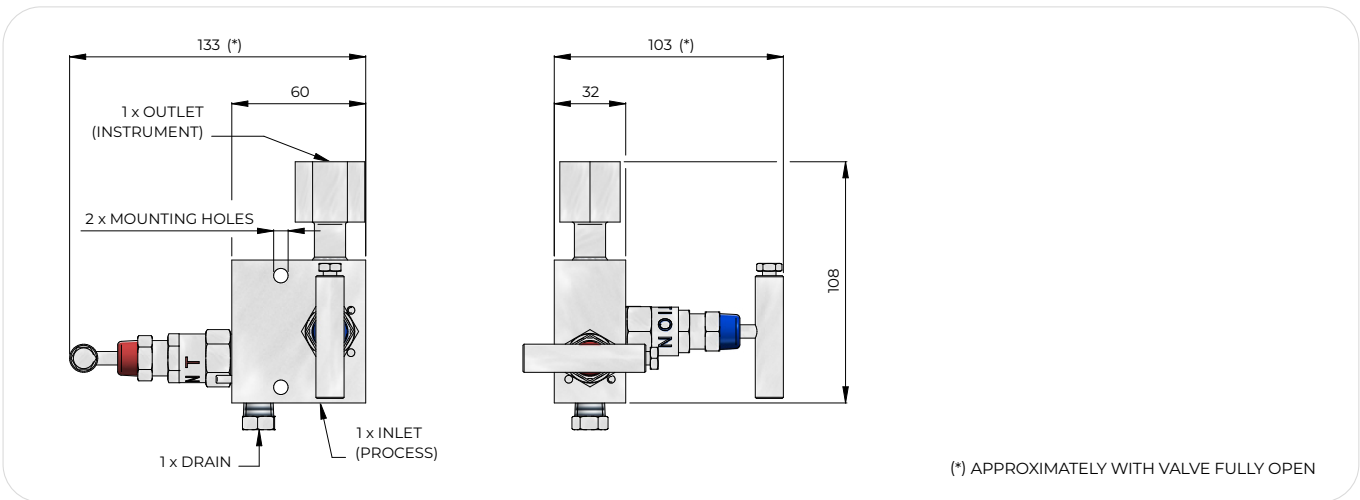


[Back to Index](#)



### Technical Features:

- Bar stock body
- Non-Rotating plug tip
- Lock pin to prevent accidental loosening of bonnet
- Dust cap for stem protection
- Colour coded functional identification
- Externally adjustable gland
- Complete with vent/drain plug made in same body material
- PED-ATEX-EAC



(\*) APPROXIMATELY WITH VALVE FULLY OPEN

### How to order:

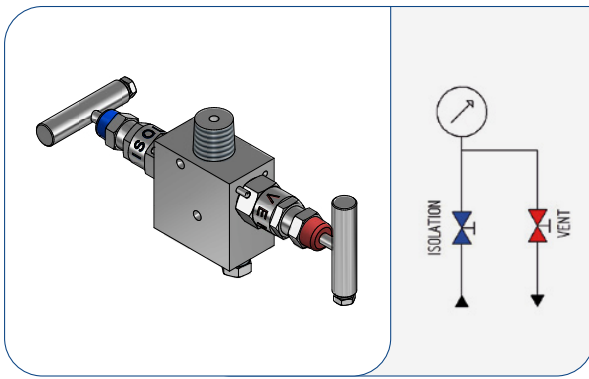
MANIFOLD SERIE	PRESSURE RATING	BODY MATERIAL	PACKING MATERIAL	INLET (PROCESS)	OUTLET (INSTRUMENT)	DRAIN	OPTIONS	ACCESSORIES	SPECIAL EXECUTIONS	
2R15	A: 6000 psi (5 mm bore)	01: AISI 316/L	A: PTFE (up to 200°C at 20 bar)	01: 1/2" NPT-F			A: No option			
		08: Monel 400								
		09: Hastelloy C276								
		10: Inconel 625								
		11: Inconel 825								
	B: 10000 psi (4 mm bore) (Available with PTFE gasket only)	12: F51 UNS S31803	B: Graphoil (up to 500°C at 20 bar)	03: 1/2" BSPP-F		54: swivel 1/2"BSPP-F EN 837-1	B: 1/4" BSPP-F	B: NACE MR0103	01: No accessories	A0: Not required
		13: F53 UNS S32750								
		14: F55 UNS S32760								
		16: 6Mo UNS S31254								

• Other materials and connections are available on request

• Example of part number: **2R15 A 01 A 03 54 B A 01 A0**

MANIFOLD SERIE 2R15-RATING 6.000 psi-BODY MATERIAL IN AISI 316/L-PTFE PACKING-INLET 1/2"BSPP-F-OUTLET SWIVEL 1/2"BSPP-F EN 837-1-DRAIN 1/4"BSPP-F-NO OPTION-NO ACCESSORIES

• Please consult the Accessories section starting from page 97 for available accessories



### Technical Features:

- Bar stock body
- Non-Rotating plug tip
- Lock pin to prevent accidental loosening of bonnet
- Dust cap for stem protection
- Colour coded functional identification
- Externally adjustable gland
- Complete with vent/drain plug made in same body material
- PED-ATEX-EAC



(\*) APPROXIMATELY WITH VALVE FULLY OPEN

### How to order:

MANIFOLD SERIE	PRESSURE RATING	BODY MATERIAL	PACKING MATERIAL	INLET (PROCESS)	OUTLET (INSTRUMENT)	DRAIN	OPTIONS	ACCESSORIES	SPECIAL EXECUTIONS
2R16	A: 6000 psi (5 mm bore)	01: AISI 316/L	A: PTFE (up to 200°C at 20 bar)	01: 1/2" NPT-F	02: 1/2" NPT-M	A: 1/4" NPT-F	A: No option		
		08: Monel 400							
		09: Hastelloy C276							
		10: Inconel 625							
		11: Inconel 825							
	B: 10000 psi (4 mm bore) (Available with PTFE gasket only)	12: F51 UNS S31803	B: Graphoil (up to 500°C at 20 bar)	03: 1/2" BSPP-F	04: 1/2" BSPP-M	B: 1/4" BSPP-F	B: NACE MR0103	01: No accessories	A0: Not required
		13: F53 UNS S32750							
		14: F55 UNS S32760							
		16: 6Mo UNS S31254							

• Other materials and connections are available on request

• Example of part number: **2R16 A 01 A 03 04 B A 01 A0**

MANIFOLD SERIE 2R16-RATING 6.000 psi-BODY MATERIAL IN AISI 316/L-PTFE PACKING-INLET 1/2"BSPP-F-OUTLET 1/2"BSPP-M-DRAIN 1/4"BSPP-F-NO OPTION-NO ACCESSORIES

• Please consult the Accessories section starting from page 97 for available accessories

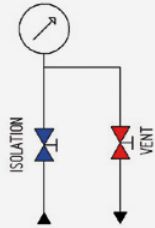
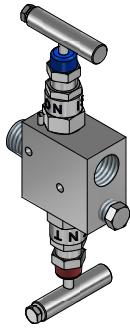
# INSTRUMENT MANIFOLDS

2-VALVES MANIFOLD  
REMOTE MOUNTING THREADED FEMALE/MALE

bulk

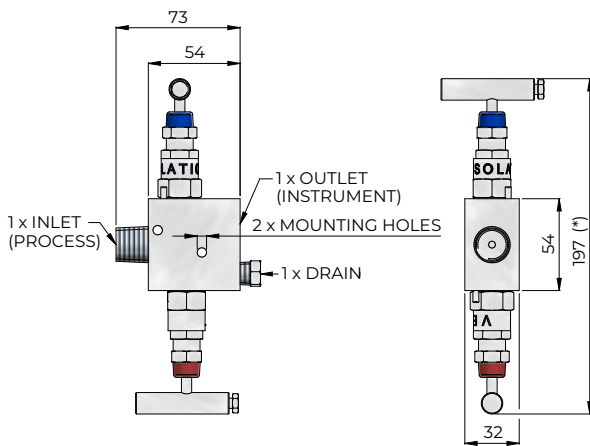


[Back to Index](#)



### Technical Features:

- Bar stock body
- Non-Rotating plug tip
- Lock pin to prevent accidental loosening of bonnet
- Dust cap for stem protection
- Colour coded functional identification
- Externally adjustable gland
- Complete with vent/drain plug made in same body material
- PED-ATEX-EAC



(\*) APPROXIMATELY WITH VALVE FULLY OPEN

2-VALVES MANIFOLD REMOTE MOUNTING  
2R17 SERIE

### How to order:

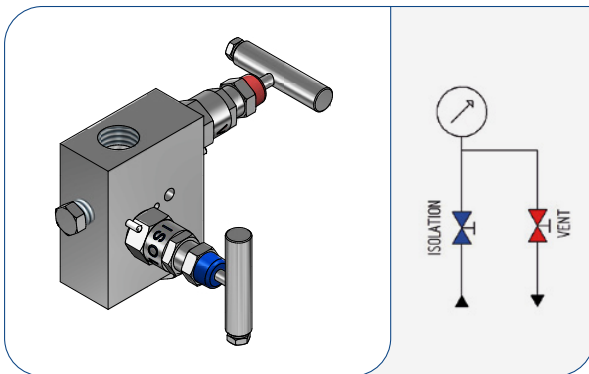
MANIFOLD SERIE	PRESSURE RATING	BODY MATERIAL	PACKING MATERIAL	INLET (PROCESS)	OUTLET (INSTRUMENT)	DRAIN	OPTIONS	ACCESSORIES	SPECIAL EXECUTIONS	
2R17	A: 6000 psi (5 mm bore)	01: AISI 316/L	A: PTFE (up to 200°C at 20 bar)	02: 1/2" NPT-M	01: 1/2" NPT-F	A: 1/4" NPT-F	A: No option	01: No accessories	A0: Not required	
		08: Monel 400								
		09: Hastelloy C276								
		10: Inconel 625								
		11: Inconel 825								
	B: 10000 psi (4 mm bore) (Available with PTFE gasket only)	12: F51 UNS S31803	B: Graphoil (up to 500°C at 20 bar)	06: 1/2" BSPT-M	03: 1/2" BSPP-F	C: 1/4" BSPT-F	C: Degreased for O <sub>2</sub>			
		13: F53 UNS S32750								
		14: F55 UNS S32760								
		15: F57 UNS S32768								
		16: 6Mo UNS S31254								

• Other materials and connections are available on request

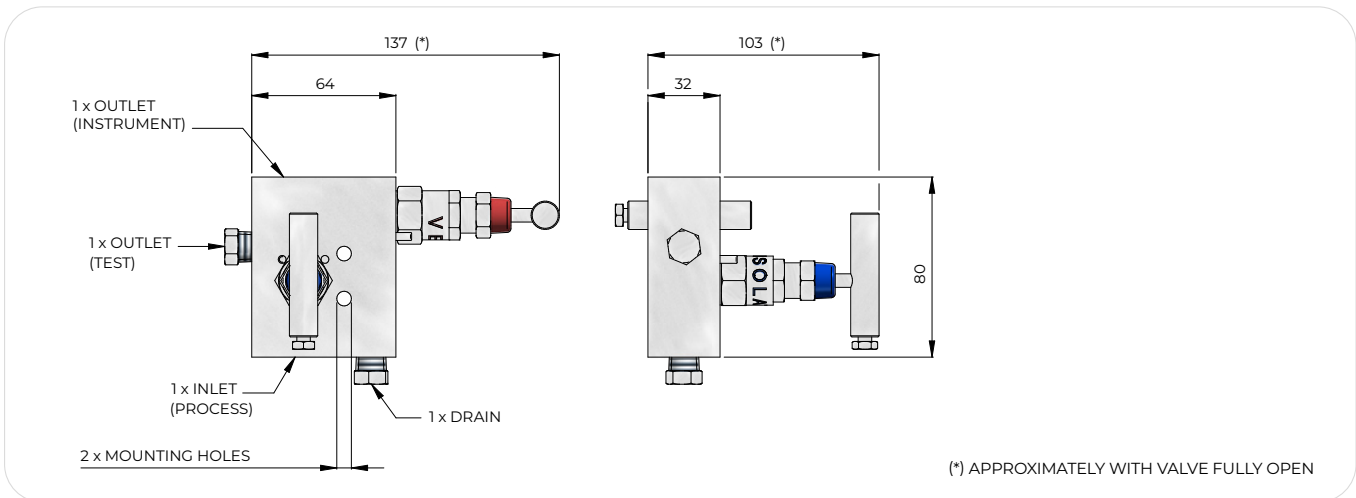
• Example of part number: **2R17 A 01 A 02 01 A A 01 A0**

MANIFOLD SERIE 2R17-RATING 6.000 psi-BODY MATERIAL IN AISI 316/L-PTFE PACKING-INLET 1/2"NPT-M-OUTLET 1/2"NPT-F-DRAIN 1/4"NPT-F-NO OPTION-NO ACCESSORIES

• Please consult the Accessories section starting from page 97 for available accessories


**Technical Features:**

- Bar stock body
- Non-Rotating plug tip
- Lock pin to prevent accidental loosening of bonnet
- Dust cap for stem protection
- Colour coded functional identification
- Externally adjustable gland
- Complete with vent/drain plug made in same body material
- PED-ATEX-EAC


**How to order:**

MANIFOLD SERIE	PRESSURE RATING	BODY MATERIAL	PACKING MATERIAL	INLET (PROCESS)	OUTLET (INSTRUMENT)	DRAIN	OPTIONS	ACCESSORIES	SPECIAL EXECUTIONS
2R18	A: 6000 psi (5 mm bore)	01: AISI 316/L	A: PTFE (up to 200°C at 20 bar)	01: 1/2" NPT-F	01: 1/2" NPT-F		A: No option		
		08: Monel 400							
		09: Hastelloy C276							
		10: Inconel 625							
		11: Inconel 825							
	B: 10000 psi (4 mm bore) (Available with PTFE gasket only)	12: F51 UNS S31803	B: Graphoil (up to 500°C at 20 bar)	03: 1/2" BSPP-F	03: 1/2" BSPP-F	P: 1/4" NPT-F DRAIN & TEST	B: NACE MR0103	01: No accessories	A0: Not required
		13: F53 UNS S32750							
		14: F55 UNS S32760							
		16: 6Mo UNS S31254							
		C: Degreased for O <sub>2</sub>							

• Other materials and connections are available on request

• Example of part number: **2R18 A 01 A 03 03 P A 01 A0**

MANIFOLD SERIE 2R18-RATING 6.000 psi-BODY MATERIAL IN AISI 316/L-PTFE PACKING-INLET AND OUTLET 1/2"BSPP-F-DRAIN & TEST 1/4"NPT-F-NO OPTION-NO ACCESSORIES

• Please consult the Accessories section starting from page 97 for available accessories

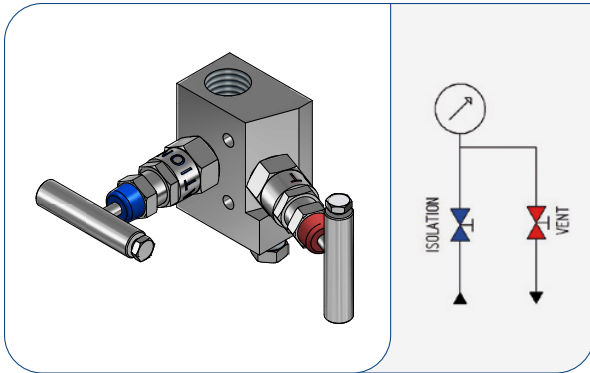
# INSTRUMENT MANIFOLDS

2-VALVES COMPACT MANIFOLD  
REMOTE MOUNTING THREADED FEMALE/FEMALE

bulk

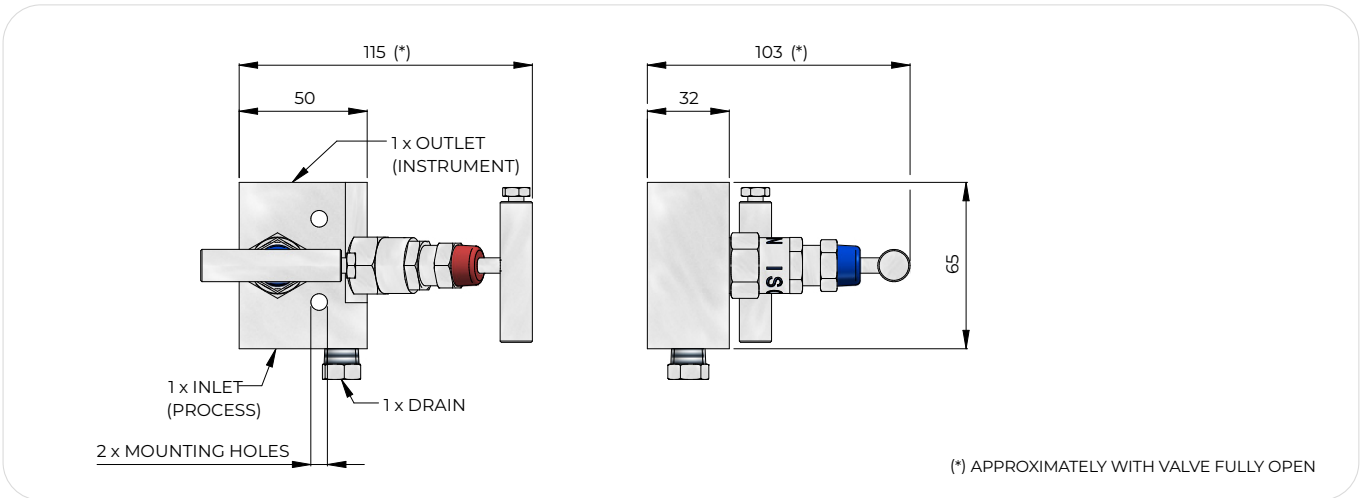


[Back to Index](#)



### Technical Features:

- Bar stock body
- Non-Rotating plug tip
- Lock pin to prevent accidental loosening of bonnet
- Dust cap for stem protection
- Colour coded functional identification
- Externally adjustable gland
- Complete with vent/drain plug made in same body material
- PED-ATEX-EAC



### How to order:

MANIFOLD SERIE	PRESSURE RATING	BODY MATERIAL	PACKING MATERIAL	INLET (PROCESS)	OUTLET (INSTRUMENT)	DRAIN	OPTIONS	ACCESSORIES	SPECIAL EXECUTIONS
2R19	A: 6000 psi (5 mm bore)	01: AISI 316/L	A: PTFE (up to 200°C at 20 bar)	01: 1/2" NPT-F	01: 1/2" NPT-F	A: 1/4" NPT-F	A: No option		A0: Not required
		08: Monel 400							
		09: Hastelloy C276							
		10: Inconel 625							
	B: 10000 psi (4 mm bore) (Available with PTFE gasket only)	11: Inconel 825	B: Graphoil (up to 500°C at 20 bar)	03: 1/2" BSPP-F	03: 1/2" BSPP-F	B: 1/4" BSPP-F	B: NACE MR0103	01: No accessories	
		12: F51 UNS S31803							
		13: F53 UNS S32750							
		14: F55 UNS S32760							
	16: 6Mo UNS S31254					C: Degreased for O <sub>2</sub>			

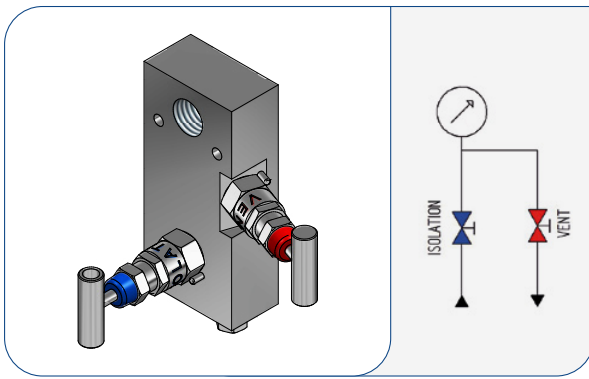
• Other materials and connections are available on request

• Example of part number: **2R19 A 01 A 03 03 B A 01 A0**

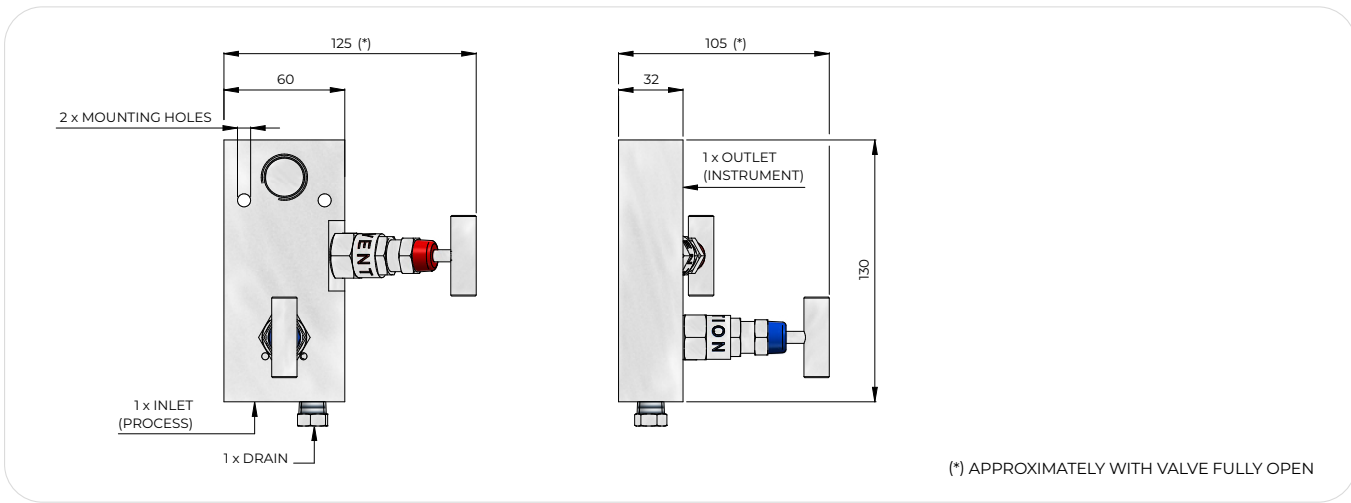
MANIFOLD SERIE 2R19-RATING 6.000 psi-BODY MATERIAL IN AISI 316/L-PTFE PACKING-INLET AND OUTLET 1/2"BSPP-F-DRAIN 1/4"BSPP-F-NO OPTION-NO ACCESSORIES

• Please consult the Accessories section starting from page 97 for available accessories

2-VALVES COMPACT MANIFOLD REMOTE MOUNTING  
2R19 SERIE

2-VALVES MANIFOLD REMOTE MOUNTING  
**2R20 SERIE**

**Technical Features:**

- Bar stock body
- Non-Rotating plug tip
- Lock pin to prevent accidental loosening of bonnet
- Dust cap for stem protection
- Colour coded functional identification
- Externally adjustable gland
- Complete with vent/drain plug made in same body material
- PED-ATEX-EAC


**How to order:**

MANIFOLD SERIE	PRESSURE RATING	BODY MATERIAL	PACKING MATERIAL	INLET (PROCESS)	OUTLET (INSTRUMENT)	DRAIN	OPTIONS	ACCESSORIES	SPECIAL EXECUTIONS	
2R20	A: 6000 psi (5 mm bore)	01: AISI 316/L	A: PTFE (up to 200°C at 20 bar)	01: 1/2" NPT-F	01: 1/2" NPT-F	A: 1/4" NPT-F	A: No option			
		08: Monel 400								
		09: Hastelloy C276								
		10: Inconel 625								
		11: Inconel 825								
	B: 10000 psi (4 mm bore) (Available with PTFE gasket only)	12: F51 UNS S31803	B: Graphoil (up to 500°C at 20 bar)	03: 1/2" BSPF-F	03: 1/2" BSPF-F	B: 1/4" BSPF-F	B: NACE MR0103	01: No accessories		AO: Not required
		13: F53 UNS S32750								
		14: F55 UNS S32760								
		16: 6Mo UNS S31254								

• Other materials and connections are available on request

• Example of part number: **2R20 A 01 A 03 03 B A 01 A0**

MANIFOLD SERIE 2R20-RATING 6.000 psi-BODY MATERIAL IN AISI 316/L-PTFE PACKING-INLET AND OUTLET 1/2" BSPF-F-DRAIN 1/4" BSPF-F-NO OPTION-NO ACCESSORIES

• Please consult the Accessories section starting from page 97 for available accessories

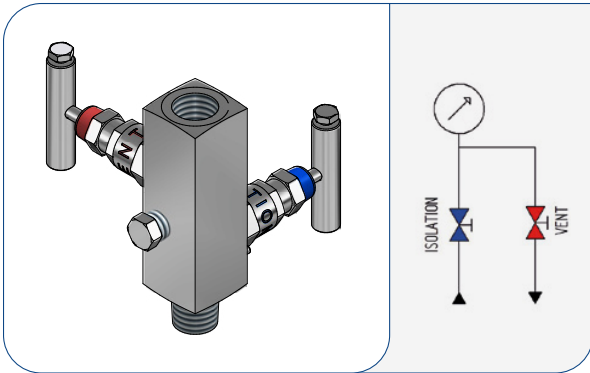
# INSTRUMENT MANIFOLDS

2-VALVES MANIFOLD  
REMOTE MOUNTING THREADED FEMALE/MALE

bulk

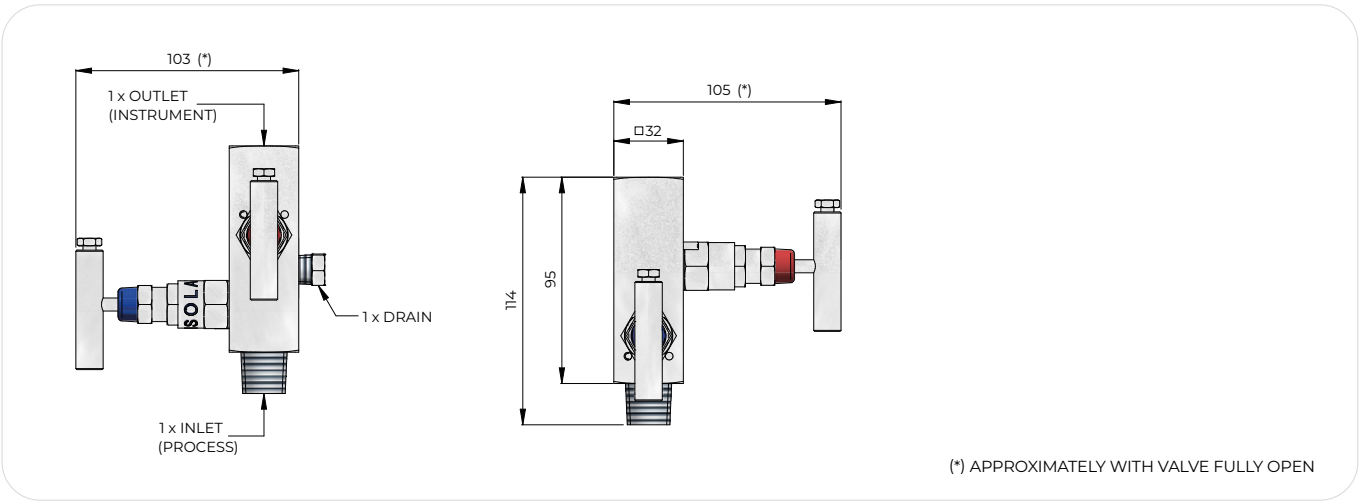


[Back to Index](#)



### Technical Features:

- Bar stock body
- Non-Rotating plug tip
- Lock pin to prevent accidental loosening of bonnet
- Dust cap for stem protection
- Colour coded functional identification
- Externally adjustable gland
- Complete with vent/drain plug made in same body material
- PED-ATEX-EAC



(\*) APPROXIMATELY WITH VALVE FULLY OPEN

2-VALVES MANIFOLD REMOTE MOUNTING  
2R22 SERIE

### How to order:

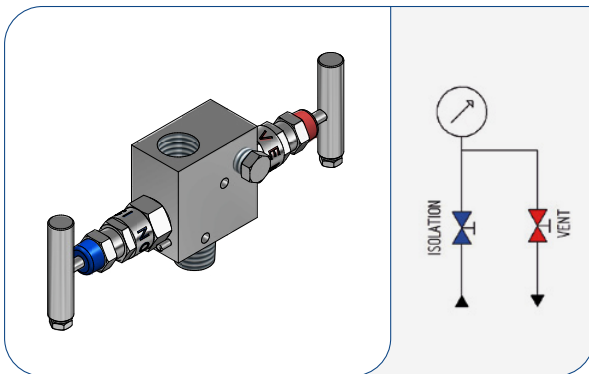
MANIFOLD SERIE	PRESSURE RATING	BODY MATERIAL	PACKING MATERIAL	INLET (PROCESS)	OUTLET (INSTRUMENT)	DRAIN	OPTIONS	ACCESSORIES	SPECIAL EXECUTIONS	
2R22	A: 6000 psi (5 mm bore)	01: AISI 316/L	A: PTFE (up to 200°C at 20 bar)	02: 1/2" NPT-M	01: 1/2" NPT-F	A: 1/4" NPT-F	A: No option	01: No accessories	A0: Not required	
		08: Monel 400								
		09: Hastelloy C276								
		10: Inconel 625								
		11: Inconel 825								
	B: 10000 psi (4 mm bore) (Available with PTFE gasket only)	12: F51 UNS S31803	B: Graphoil (up to 500°C at 20 bar)	04: 1/2" BSPP-M	03: 1/2" BSPP-F	B: 1/4" BSPP-F	B: NACE MR0103	C: Degreased for O <sub>2</sub>		
		13: F53 UNS S32750								
		14: F55 UNS S32760								
		16: 6Mo UNS S31254								

• Other materials and connections are available on request

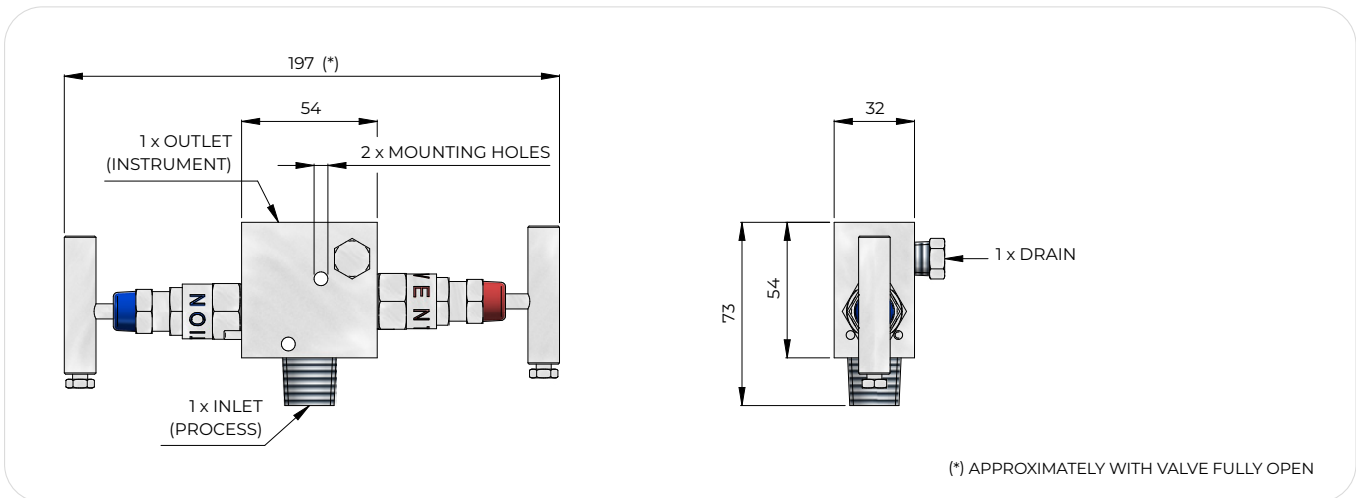
• Example of part number: **2R22 A 01 A 04 03 B A 01 A0**

MANIFOLD SERIE 2R22-RATING 6.000 psi-BODY MATERIAL IN AISI 316/L-PTFE PACKING-INLET 1/2"BSPP-M-OUTLET 1/2"BSPP-F-DRAIN 1/4"BSPP-F-NO OPTION-NO ACCESSORIES

• Please consult the Accessories section starting from page 97 for available accessories


**Technical Features:**

- Bar stock body
- Non-Rotating plug tip
- Lock pin to prevent accidental loosening of bonnet
- Dust cap for stem protection
- Colour coded functional identification
- Externally adjustable gland
- Complete with vent/drain plug made in same body material
- PED-ATEX-EAC



(\*) APPROXIMATELY WITH VALVE FULLY OPEN

**How to order:**

MANIFOLD SERIE	PRESSURE RATING	BODY MATERIAL	PACKING MATERIAL	INLET (PROCESS)	OUTLET (INSTRUMENT)	DRAIN	OPTIONS	ACCESSORIES	SPECIAL EXECUTIONS
2R24	A: 6000 psi (5 mm bore)	01: AISI 316/L	A: PTFE (up to 200°C at 20 bar)	02: 1/2" NPT-M	01: 1/2" NPT-F	A: 1/4" NPT-F	A: No option		
		08: Monel 400							
		09: Hastelloy C276							
		10: Inconel 625							
		11: Inconel 825							
	B: 10000 psi (4 mm bore) (Available with PTFE gasket only)	12: F51 UNS S31803	B: Graphoil (up to 500°C at 20 bar)	06: 1/2" BSPT-M	03: 1/2" BSPP-F	C: 1/4" BSPT-F	B: NACE MR0103	01: No accessories	A0: Not required
		13: F53 UNS S32750							
		14: F55 UNS S32760							
		16: 6Mo UNS S31254							

• Other materials and connections are available on request

 • Example of part number: **2R24 A 01 A 06 03 C A 01 A0**

MANIFOLD SERIE 2R24-RATING 6.000 psi-BODY MATERIAL IN AISI 316/L-PTFE PACKING-INLET 1/2"BSPT-M-OUTLET 1/2"BSPP-F-DRAIN 1/4"BSPT-F-NO OPTION-NO ACCESSORIES

• Please consult the Accessories section starting from page 97 for available accessories

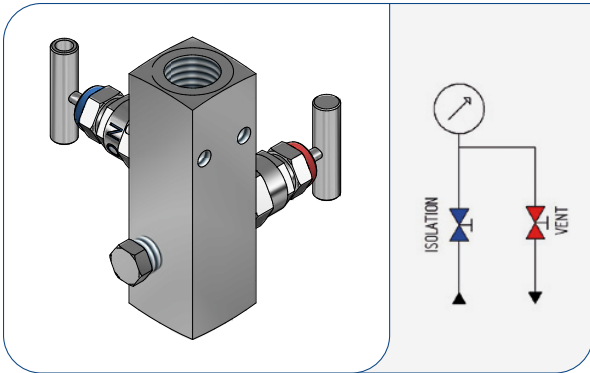
# INSTRUMENT MANIFOLDS

2-VALVES MANIFOLD  
REMOTE MOUNTING THREADED FEMALE/FEMALE

bulk



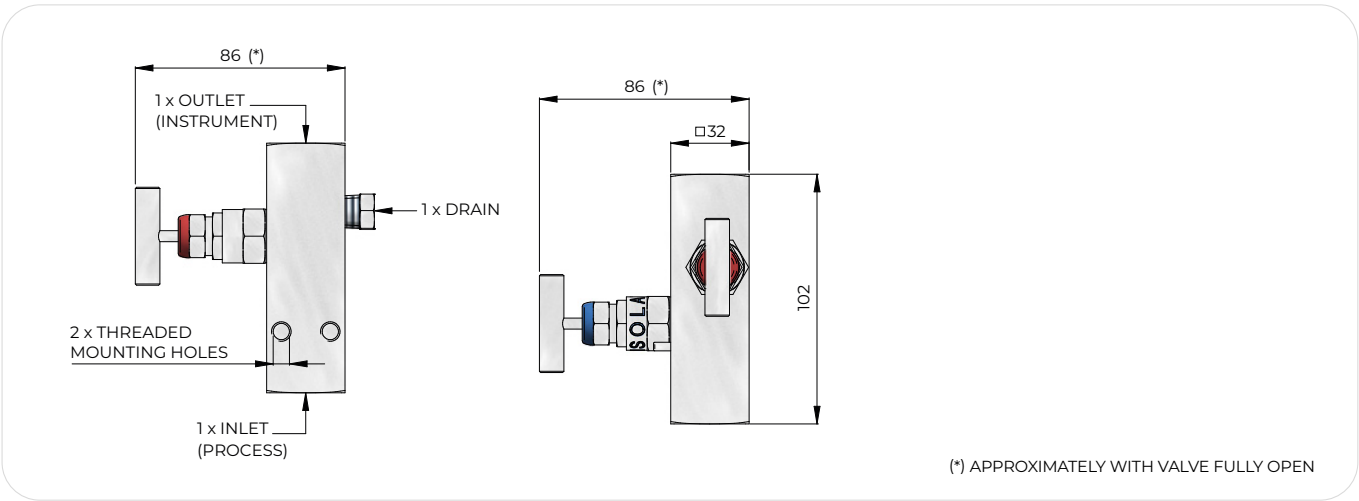
[Back to Index](#)



### Technical Features:

- Bar stock body
- Non-Rotating plug tip
- Lock pin to prevent accidental loosening of bonnet
- Dust cap for stem protection
- Colour coded functional identification
- Externally adjustable gland
- Complete with vent/drain plug made in same body material
- PED-ATEX-EAC

2-VALVES MANIFOLD REMOTE MOUNTING  
2R25 SERIE



(\* APPROXIMATELY WITH VALVE FULLY OPEN)

### How to order:

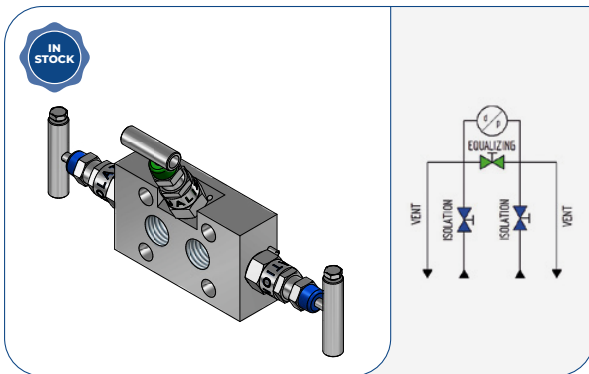
MANIFOLD SERIE	PRESSURE RATING	BODY MATERIAL	PACKING MATERIAL	INLET (PROCESS)	OUTLET (INSTRUMENT)	DRAIN	OPTIONS	ACCESSORIES	SPECIAL EXECUTIONS
2R25	A: 6000 psi (5 mm bore)	01: AISI 316/L	A: PTFE (up to 200°C at 20 bar)	01: 1/2" NPT-F	01: 1/2" NPT-F	A: 1/4" NPT-F	A: No option		A6: Mini valves
		08: Monel 400							
		09: Hastelloy C276							
		10: Inconel 625							
	B: 10000 psi (4 mm bore) (Available with PTFE gasket only)	11: Inconel 825	B: Graphoil (up to 500°C at 20 bar)	03: 1/2" BSPP-F	03: 1/2" BSPP-F	B: 1/4" BSPP-F	B: NACE MR0103	01: No accessories	
		12: F51 UNS S31803							
		13: F53 UNS S32750							
		14: F55 UNS S32760							
	16: 6Mo UNS S31254					C: Degreased for O <sub>2</sub>			

• Other materials and connections are available on request

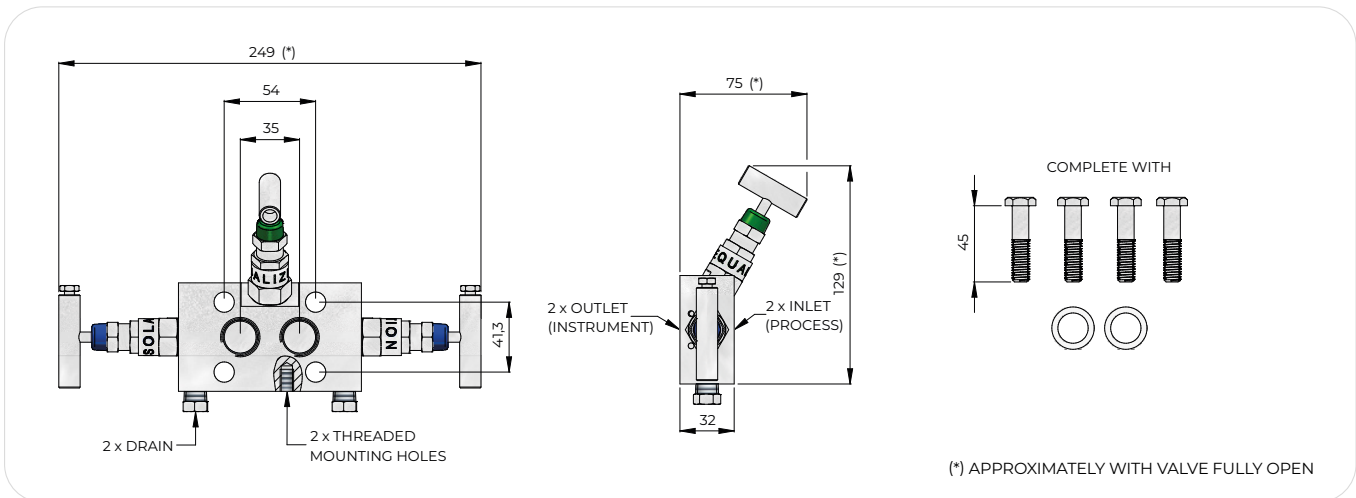
• Example of part number: **2R25 A 01 A 03 03 B A 01 A6**

MANIFOLD SERIE 2R25-RATING 6.000 psi-BODY MATERIAL IN AISI 316/L-PTFE PACKING-INLET AND OUTLET 1/2"BSPP-F-DRAIN 1/4"BSPP-F-NO OPTION-NO ACCESSORIES-WITH MINI VALVES

• Please consult the Accessories section starting from page 97 for available accessories


**Technical Features:**

- Bar stock body
- Non-Rotating plug tip
- Lock pin to prevent accidental loosening of bonnet
- Dust cap for stem protection
- Colour coded functional identification
- Externally adjustable gland
- Complete with vent/drain plug made in same body material
- PED-ATEX-EAC



(\*) APPROXIMATELY WITH VALVE FULLY OPEN

**How to order:**

MANIFOLD SERIE	PRESSURE RATING	BODY MATERIAL	PACKING MATERIAL	INLET (PROCESS)	OUTLET (INSTRUMENT)	DRAIN	OPTIONS	ACCESSORIES	SPECIAL EXECUTIONS
3D5	A: 6000 psi (5 mm bore)	01: AISI 316/L	A: PTFE (up to 200°C at 20 bar)	01: 1/2" NPT-F	07: Flanged	A: 1/4" NPT-F	A: No option	01: No accessories	A0: Not required
		08: Monel 400							
		09: Hastelloy C276							
		10: Inconel 625							
		11: Inconel 825	B: Graphoil (up to 500°C at 20 bar)	03: 1/2" BSPP-F	52: EN/IEC 61518 B	B: 1/4" BSPP-F	C: Degreased for O <sub>2</sub>		
		12: F51 UNS S31803							
		13: F53 UNS S32750							
		14: F55 UNS S32760							
16: 6Mo UNS S31254									

• Other materials and connections are available on request

 • Example of part number: **3D5 A 01 A 01 07 A A 01 A0**

MANIFOLD SERIE 3D5-RATING 6.000 psi-BODY MATERIAL IN AISI 316/L-PTFE PACKING-INLET 1/2"NPT-F-OUTLET FLANGED-DRAIN 1/4"NPT-F-NO OPTION-NO ACCESSORIES

• Please consult the Accessories section starting from page 97 for available accessories

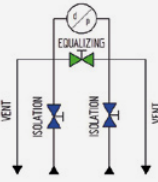
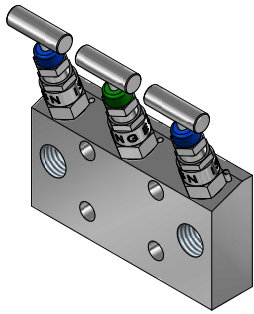
# INSTRUMENT MANIFOLDS

3-VALVES MANIFOLD  
DIRECT MOUNTING X FEMALE THREAD

bulk

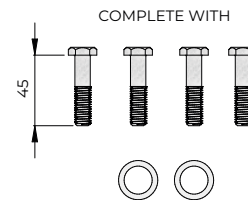
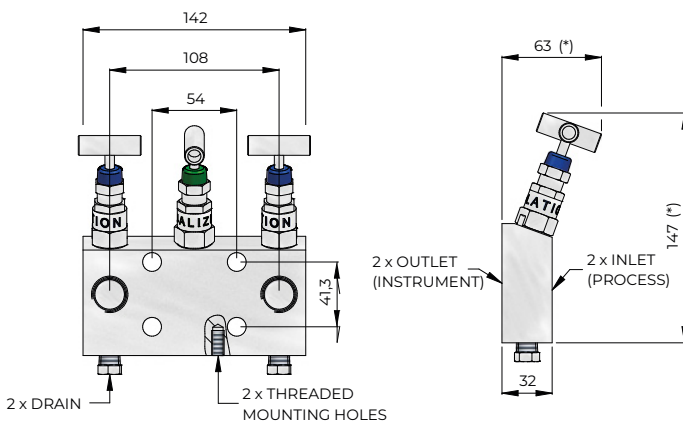


[Back to Index](#)



### Technical Features:

- Bar stock body
- Non-Rotating plug tip
- Lock pin to prevent accidental loosening of bonnet
- Dust cap for stem protection
- Colour coded functional identification
- Externally adjustable gland
- Complete with vent/drain plug made in same body material
- PED-ATEX-EAC



(\* ) APPROXIMATELY WITH VALVE FULLY OPEN

### How to order:

MANIFOLD SERIE	PRESSURE RATING	BODY MATERIAL	PACKING MATERIAL	INLET (PROCESS)	OUTLET (INSTRUMENT)	DRAIN	OPTIONS	ACCESSORIES	SPECIAL EXECUTIONS
3D1	A: 6000 psi (5 mm bore)	01: AISI 316/L	A: PTFE (up to 200°C at 20 bar)	01: 1/2" NPT-F	07: Flanged	A: 1/4" NPT-F	A: No option	01: No accessories	A0: Not required
		08: Monel 400							
		09: Hastelloy C276							
		10: Inconel 625							
		11: Inconel 825	B: Graphoil (up to 500°C at 20 bar)	03: 1/2" BSPP-F	52: EN/IEC 61518 B	B: 1/4" BSPP-F	C: Degreased for O <sub>2</sub>		
		12: F51 UNS S31803							
		13: F53 UNS S32750							
		14: F55 UNS S32760							
16: 6Mo UNS S31254									

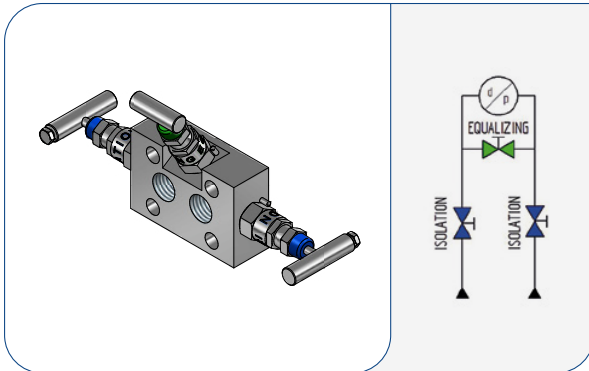
• Other materials and connections are available on request

• Example of part number: **3D1 A 01 A 01 07 A A 01 A0**

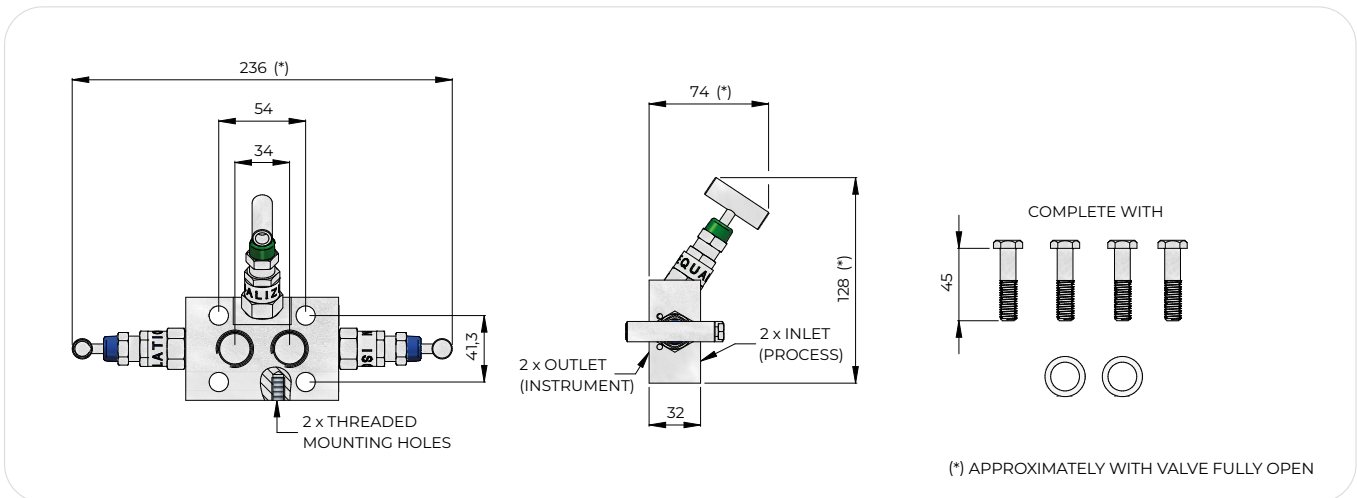
MANIFOLD SERIE 3D1-RATING 6.000 psi-BODY MATERIAL IN AISI 316/L-PTFE PACKING-INLET 1/2"NPT-F-OUTLET FLANGED-DRAIN 1/4"NPT-F-NO OPTION-NO ACCESSORIES

• Please consult the Accessories section starting from page 97 for available accessories

3-VALVES MANIFOLD DIRECT MOUNTING  
3D1 SERIE


**Technical Features:**

- Bar stock body
- Non-Rotating plug tip
- Lock pin to prevent accidental loosening of bonnet
- Dust cap for stem protection
- Colour coded functional identification
- Externally adjustable gland
- Complete with vent/drain plug made in same body material
- PED-ATEX-EAC



(\*) APPROXIMATELY WITH VALVE FULLY OPEN

**How to order:**

MANIFOLD SERIE	PRESSURE RATING	BODY MATERIAL	PACKING MATERIAL	INLET (PROCESS)	OUTLET (INSTRUMENT)	DRAIN	OPTIONS	ACCESSORIES	SPECIAL EXECUTIONS
3D2	A: 6000 psi (5 mm bore)	01: AISI 316/L	A: PTFE (up to 200°C at 20 bar)	01: 1/2" NPT-F	07: Flanged	H: No drain	A: No option	01: No accessories	A0: Not required
		08: Monel 400							
		09: Hastelloy C276							
		10: Inconel 625							
		11: Inconel 825	B: Graphoil (up to 500°C at 20 bar)	03: 1/2" BSPP-F	52: EN/IEC 61518 B		C: Degreased for O <sub>2</sub>		
		12: F51 UNS S31803							
		13: F53 UNS S32750							
		14: F55 UNS S32760							
16: 6Mo UNS S31254									

• Other materials and connections are available on request

 • Example of part number: **3D2 | A | 01 | A | 01 | 07 | H | A | 01 | A0**

MANIFOLD SERIE 3D2-RATING 6.000 psi-BODY MATERIAL IN AISI 316/L-PTFE PACKING-INLET 1/2"NPT-F-OUTLET FLANGED-NO DRAIN-NO OPTION-NO ACCESSORIES

• Please consult the Accessories section starting from page 97 for available accessories

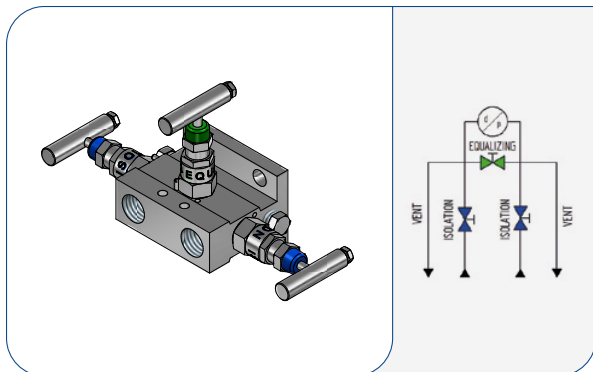
# INSTRUMENT MANIFOLDS

3-VALVES MANIFOLD  
DIRECT MOUNTING X FEMALE THREAD C/W FIXING HOLES

bulk

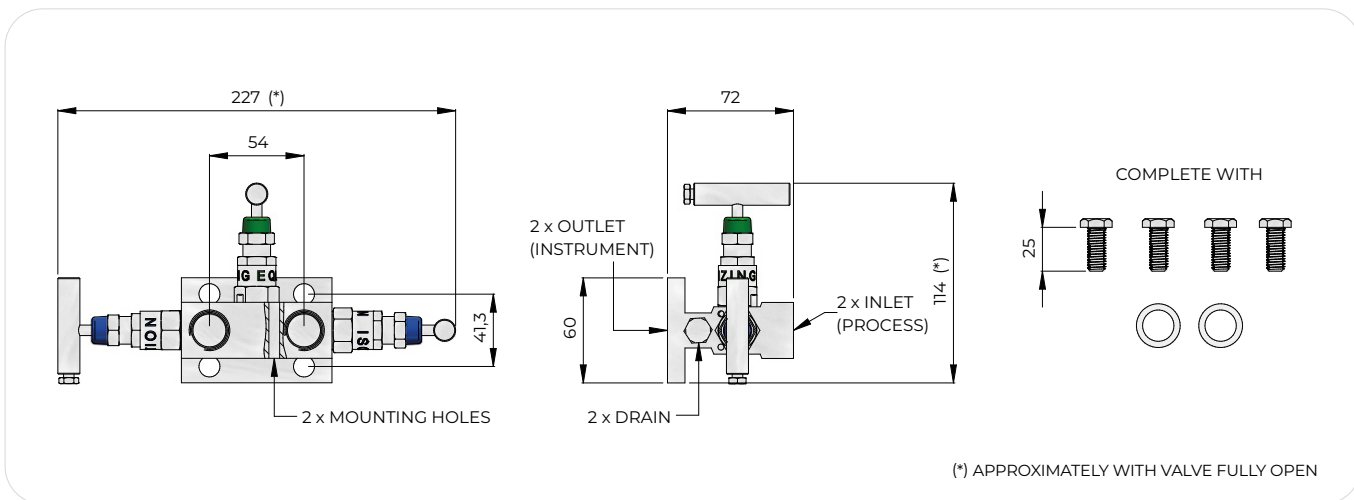


[Back to Index](#)



### Technical Features:

- Bar stock body
- Non-Rotating plug tip
- Lock pin to prevent accidental loosening of bonnet
- Dust cap for stem protection
- Colour coded functional identification
- Externally adjustable gland
- Complete with vent/drain plug made in same body material
- PED-ATEX-EAC



3-VALVES MANIFOLD DIRECT MOUNTING  
3D3 SERIE

### How to order:

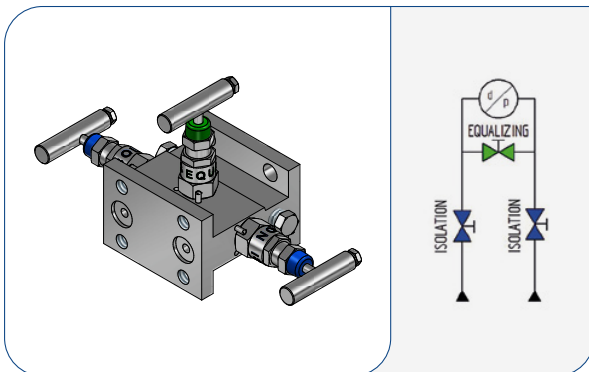
MANIFOLD SERIE	PRESSURE RATING	BODY MATERIAL	PACKING MATERIAL	INLET (PROCESS)	OUTLET (INSTRUMENT)	DRAIN	OPTIONS	ACCESSORIES	SPECIAL EXECUTIONS
3D3	A: 6000 psi (5 mm bore)	01: AISI 316/L	A: PTFE (up to 200°C at 20 bar)	01: 1/2" NPT-F	07: Flanged	A: 1/4" NPT-F	A: No option	01: No accessories	A0: Not required
		08: Monel 400							
		09: Hastelloy C276							
		10: Inconel 625							
		11: Inconel 825	B: Graphoil (up to 500°C at 20 bar)	03: 1/2" BSPP-F	52: EN/IEC 61518 B	B: 1/4" BSPP-F	C: Degreased for O <sub>2</sub>		
		12: F51 UNS S31803							
		13: F53 UNS S32750							
		14: F55 UNS S32760							
16: 6Mo UNS S31254									

• Other materials and connections are available on request

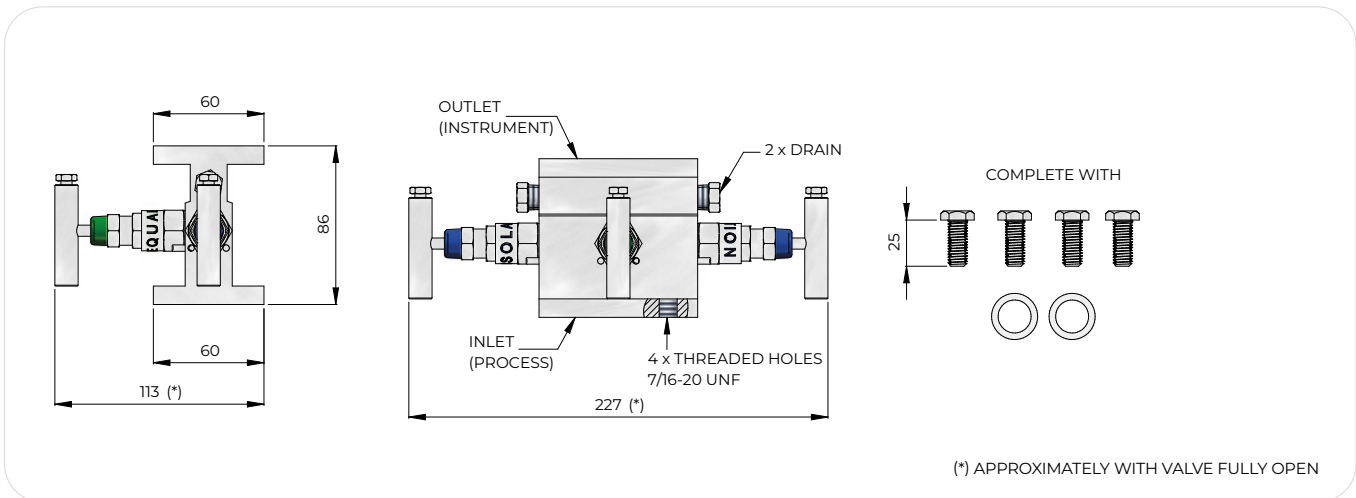
• Example of part number: **3D3 A 01 A 01 07 A A 01 A0**

MANIFOLD SERIE 3D3-RATING 6.000 psi-BODY MATERIAL IN AISI 316/L-PTFE PACKING-INLET 1/2"NPT-F-OUTLET FLANGED-DRAIN 1/4"NPT-F-NO OPTION-NO ACCESSORIES

• Please consult the Accessories section starting from page 97 for available accessories


**Technical Features:**

- Bar stock body
- Non-Rotating plug tip
- Lock pin to prevent accidental loosening of bonnet
- Dust cap for stem protection
- Colour coded functional identification
- Externally adjustable gland
- Complete with vent/drain plug made in same body material
- PED-ATEX-EAC



(\*) APPROXIMATELY WITH VALVE FULLY OPEN

**How to order:**

MANIFOLD SERIE	PRESSURE RATING	BODY MATERIAL	PACKING MATERIAL	INLET (PROCESS)	OUTLET (INSTRUMENT)	DRAIN	OPTIONS	ACCESSORIES	SPECIAL EXECUTIONS
3D4	A: 6000 psi (5 mm bore)	01: AISI 316/L	A: PTFE (up to 200°C at 20 bar)	07: Flanged	07: Flanged	A: 1/4" NPT-F	A: No option	01: No accessories	A0: Not required
		08: Monel 400							
		09: Hastelloy C276							
		10: Inconel 625							
		11: Inconel 825	B: Graphoil (up to 500°C at 20 bar)		51: EN/IEC 61518 A	B: 1/4" BSPP-F	C: Degreased for O <sub>2</sub>		
		12: F51 UNS S31803							
		13: F53 UNS S32750							
		14: F55 UNS S32760							
16: 6Mo UNS S31254									

• Other materials and connections are available on request

 • Example of part number: **3D4 A 01 A 07 07 B A 01 A0**

MANIFOLD SERIE 3D4-RATING 6.000 psi-BODY MATERIAL IN AISI 316/L-PTFE PACKING-INLET AND OUTLET FLANGED-DRAIN 1/4"BSPP-F-NO OPTION-NO ACCESSORIES

• Please consult the Accessories section starting from page 97 for available accessories

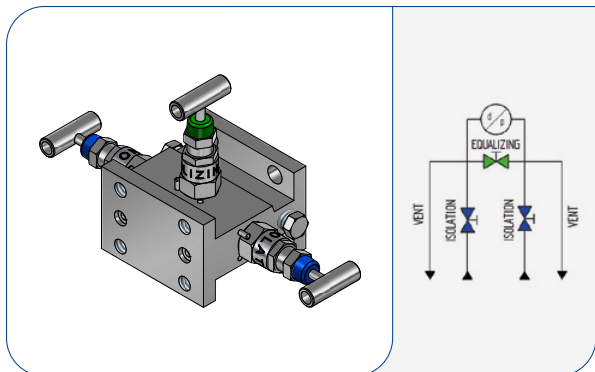
# INSTRUMENT MANIFOLDS

3-VALVES MANIFOLD  
DIRECT MOUNTING X FLANGED C/W FIXING HOLES

bulk

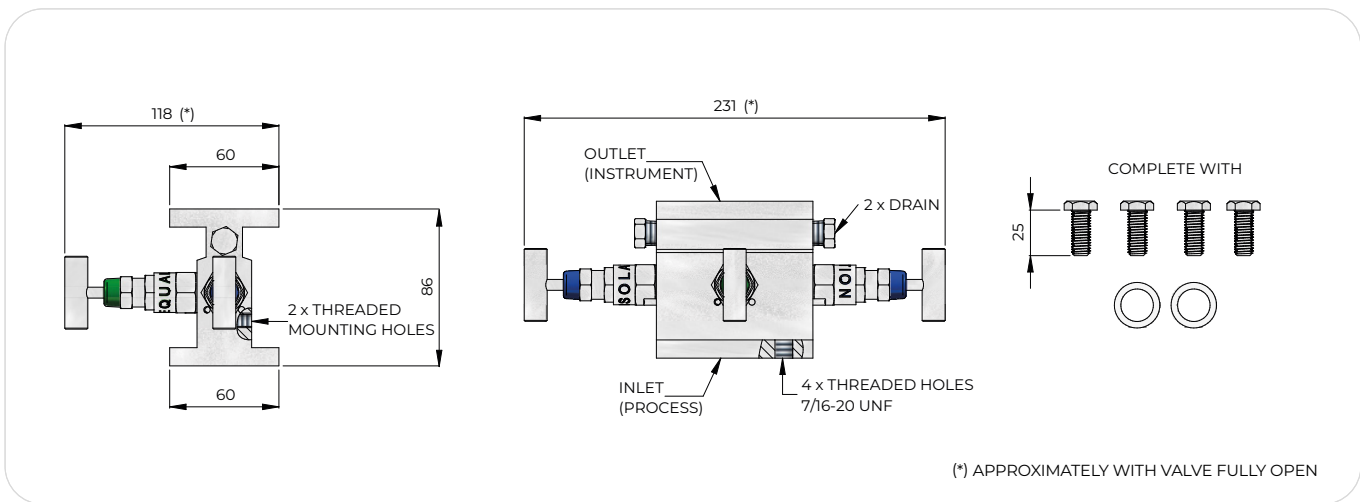


[Back to Index](#)



### Technical Features:

- Bar stock body
- Non-Rotating plug tip
- Lock pin to prevent accidental loosening of bonnet
- Dust cap for stem protection
- Colour coded functional identification
- Externally adjustable gland
- Complete with vent/drain plug made in same body material
- PED-ATEX-EAC



(\*) APPROXIMATELY WITH VALVE FULLY OPEN

### How to order:

MANIFOLD SERIE	PRESSURE RATING	BODY MATERIAL	PACKING MATERIAL	INLET (PROCESS)	OUTLET (INSTRUMENT)	DRAIN	OPTIONS	ACCESSORIES	SPECIAL EXECUTIONS
3D4MH	A: 6000 psi (5 mm bore)	01: AISI 316/L	A: PTFE (up to 200°C at 20 bar)	07: Flanged	07: Flanged	A: 1/4" NPT-F	A: No option	01: No accessories	A0: Not required
		08: Monel 400							
		09: Hastelloy C276							
		10: Inconel 625							
		11: Inconel 825	B: Graphoil (up to 500°C at 20 bar)		51: EN/IEC 61518 A	B: 1/4" BSPP-F	C: Degreased for O <sub>2</sub>		
		12: F51 UNS S31803							
		13: F53 UNS S32750							
		14: F55 UNS S32760							
16: 6Mo UNS S31254									

• Other materials and connections are available on request

• Example of part number: **3D4MH A 01 A 07 07 B A 01 A0**

MANIFOLD SERIE 3D4MH-RATING 6.000 psi-BODY MATERIAL IN AISI 316/L-PTFE PACKING-INLET AND OUTLET FLANGED-DRAIN 1/4"BSPP-F-NO OPTION-NO ACCESSORIES

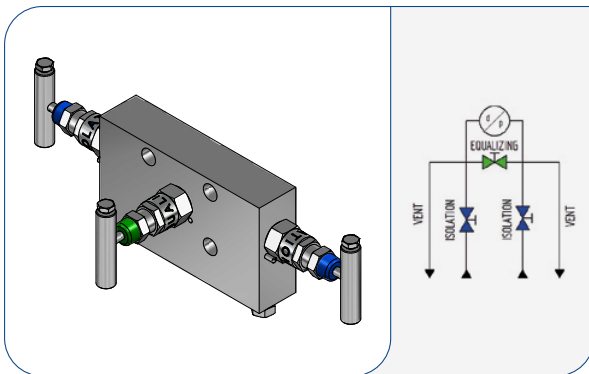
• Please consult the Accessories section starting from page 97 for available accessories

3-VALVES MANIFOLD DIRECT MOUNTING  
3D4MH SERIE



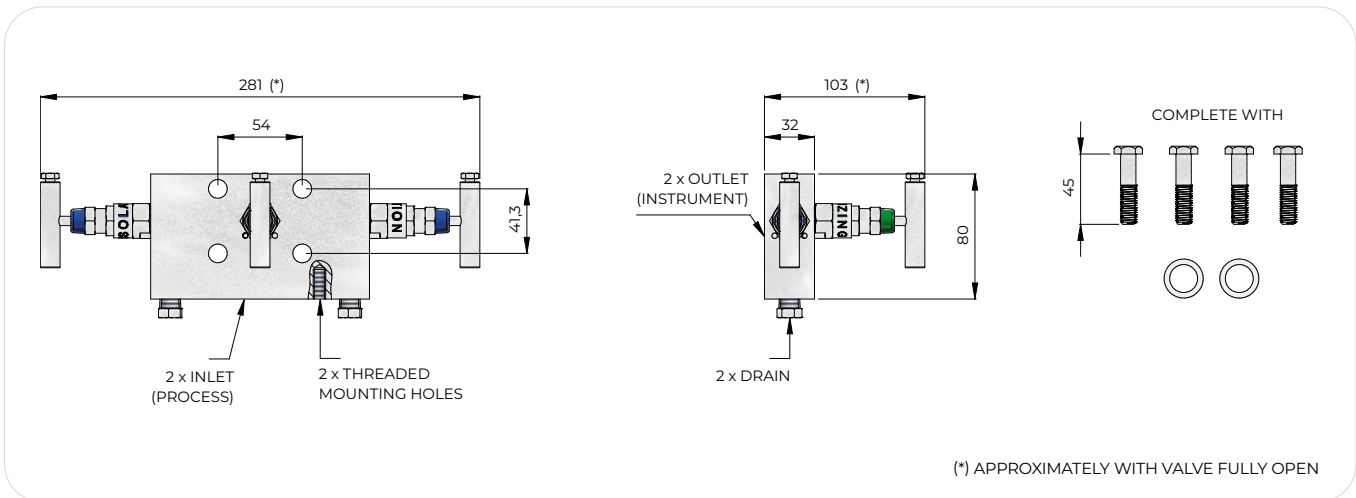
Back to Index

3-VALVES MANIFOLD DIRECT MOUNTING  
3D7 SERIE



**Technical Features:**

- Bar stock body
- Non-Rotating plug tip
- Lock pin to prevent accidental loosening of bonnet
- Dust cap for stem protection
- Colour coded functional identification
- Externally adjustable gland
- Complete with vent/drain plug made in same body material
- PED-ATEX-EAC



(\*) APPROXIMATELY WITH VALVE FULLY OPEN

**How to order:**

MANIFOLD SERIE	PRESSURE RATING	BODY MATERIAL	PACKING MATERIAL	INLET (PROCESS)	OUTLET (INSTRUMENT)	DRAIN	OPTIONS	ACCESSORIES	SPECIAL EXECUTIONS
3D7	A: 6000 psi (5 mm bore)	01: AISI 316/L	A: PTFE (up to 200°C at 20 bar)	01: 1/2" NPT-F	07: Flanged	A: 1/4" NPT-F	A: No option	01: No accessories	A0: Not required
		08: Monel 400							
		09: Hastelloy C276							
		10: Inconel 625							
		11: Inconel 825	B: Graphoil (up to 500°C at 20 bar)	10: 1/4" NPT-F	52: EN/IEC 61518 B	B: 1/4" BSPP-F	C: Degreased for O <sub>2</sub>		
		12: F51 UNS S31803							
		13: F53 UNS S32750							
		14: F55 UNS S32760							
16: 6Mo UNS S31254									

• Other materials and connections are available on request

• Example of part number: **3D7 A 01 A 01 07 B A 01 A0**

MANIFOLD SERIE 3D7-RATING 6.000 psi-BODY MATERIAL IN AISI 316/L-PTFE PACKING-INLET 1/2"NPT-F-OUTLET FLANGED-DRAIN 1/4"BSPP-F-NO OPTION-NO ACCESSORIES

• Please consult the Accessories section starting from page 97 for available accessories

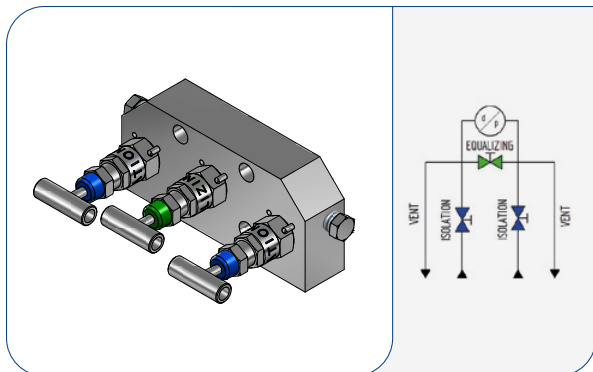
# INSTRUMENT MANIFOLDS

3-VALVES COMPACT MANIFOLD  
DIRECT MOUNTING X FEMALE THREAD

bulk

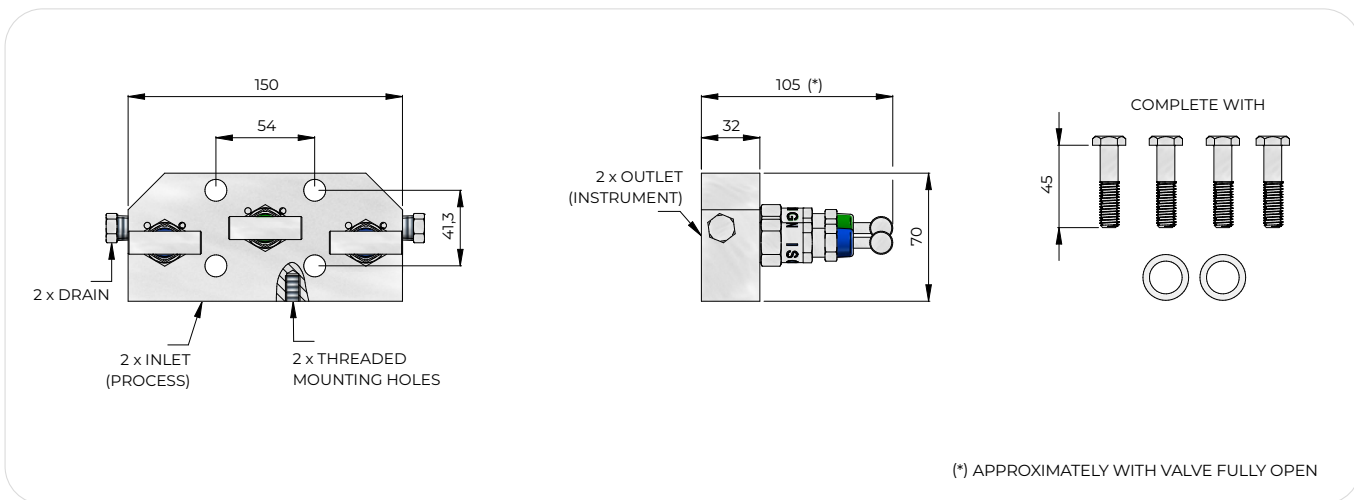


[Back to Index](#)



### Technical Features:

- Bar stock body
- Non-Rotating plug tip
- Lock pin to prevent accidental loosening of bonnet
- Dust cap for stem protection
- Colour coded functional identification
- Externally adjustable gland
- Complete with vent/drain plug made in same body material
- PED-ATEX-EAC



(\*) APPROXIMATELY WITH VALVE FULLY OPEN

### How to order:

MANIFOLD SERIE	PRESSURE RATING	BODY MATERIAL	PACKING MATERIAL	INLET (PROCESS)	OUTLET (INSTRUMENT)	DRAIN	OPTIONS	ACCESSORIES	SPECIAL EXECUTIONS
3D9	A: 6000 psi (5 mm bore)	01: AISI 316/L	A: PTFE (up to 200°C at 20 bar)	01: 1/2" NPT-F	07: Flanged	A: 1/4" NPT-F	A: No option	01: No accessories	A0: Not required
		08: Monel 400							
		09: Hastelloy C276							
		10: Inconel 625							
		11: Inconel 825	B: Graphoil (up to 500°C at 20 bar)	03: 1/2" BSPP-F	52: EN/IEC 61518 B	B: 1/4" BSPP-F	B: NACE MR0103		
		12: F51 UNS S31803							
		13: F53 UNS S32750							
		14: F55 UNS S32760							
16: 6Mo UNS S31254	C: Degreased for O <sub>2</sub>								

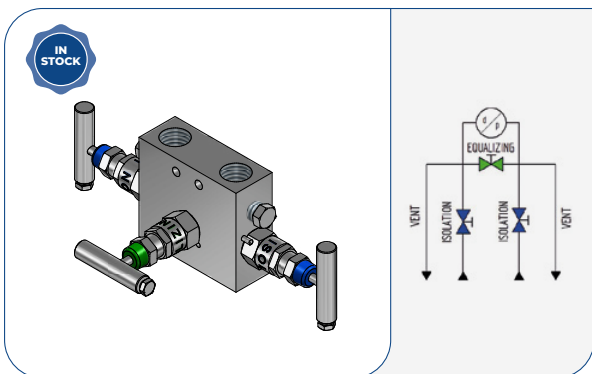
• Other materials and connections are available on request

• Example of part number: **3D9 A 01 A 03 07 B A 01 A0**

MANIFOLD SERIE 3D9-RATING 6.000 psi-BODY MATERIAL IN AISI 316/L-PTFE PACKING-INLET 1/2"BSPP-F-OUTLET FLANGED-DRAIN 1/4"BSPP-F-NO OPTION-NO ACCESSORIES

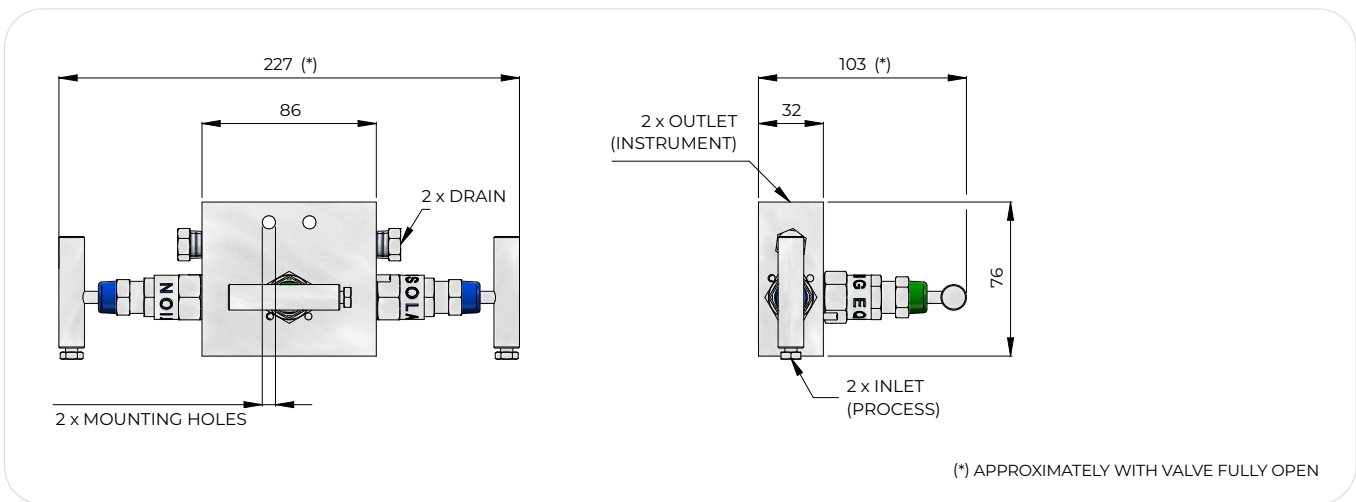
• Please consult the Accessories section starting from page 97 for available accessories

3-VALVES COMPACT MANIFOLD DIRECT MOUNTING  
3D9 SERIE



### Technical Features:

- Bar stock body
- Non-Rotating plug tip
- Lock pin to prevent accidental loosening of bonnet
- Dust cap for stem protection
- Colour coded functional identification
- Externally adjustable gland
- Complete with vent/drain plug made in same body material
- PED-ATEX-EAC



### How to order:

MANIFOLD SERIE	PRESSURE RATING	BODY MATERIAL	PACKING MATERIAL	INLET (PROCESS)	OUTLET (INSTRUMENT)	DRAIN	OPTIONS	ACCESSORIES	SPECIAL EXECUTIONS
3R1	A: 6000 psi (5 mm bore)	01: AISI 316/L	A: PTFE (up to 200°C at 20 bar)	01: 1/2" NPT-F	01: 1/2" NPT-F	A: 1/4" NPT-F	A: No option		A0: Not required
		08: Monel 400							
		09: Hastelloy C276							
		10: Inconel 625							
		11: Inconel 825							
	B: 10000 psi (4 mm bore) (Available with PTFE gasket only)	12: F51 UNS S31803	B: Graphoil (up to 500°C at 20 bar)	03: 1/2" BSPP-F	03: 1/2" BSPP-F	B: 1/4" BSPP-F	B: NACE MR0103	01: No accessories	
		13: F53 UNS S32750							
		14: F55 UNS S32760							
		16: 6Mo UNS S31254							

• Other materials and connections are available on request

• Example of part number: **3R1 A 01 A 03 03 B A 01 A0**  
 MANIFOLD SERIE 3R1-RATING 6.000 psi-BODY MATERIAL IN AISI 316/L-PTFE PACKING-INLET AND OUTLET 1/2"BSPP-F-DRAIN 1/4"BSPP-F-NO OPTION-NO ACCESSORIES

• Please consult the Accessories section starting from page 97 for available accessories

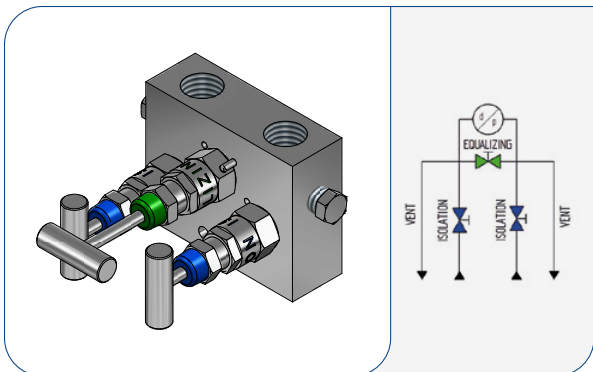
# INSTRUMENT MANIFOLDS

3-VALVES MANIFOLD  
REMOTE MOUNTING THREADED FEMALE/FEMALE

bulk

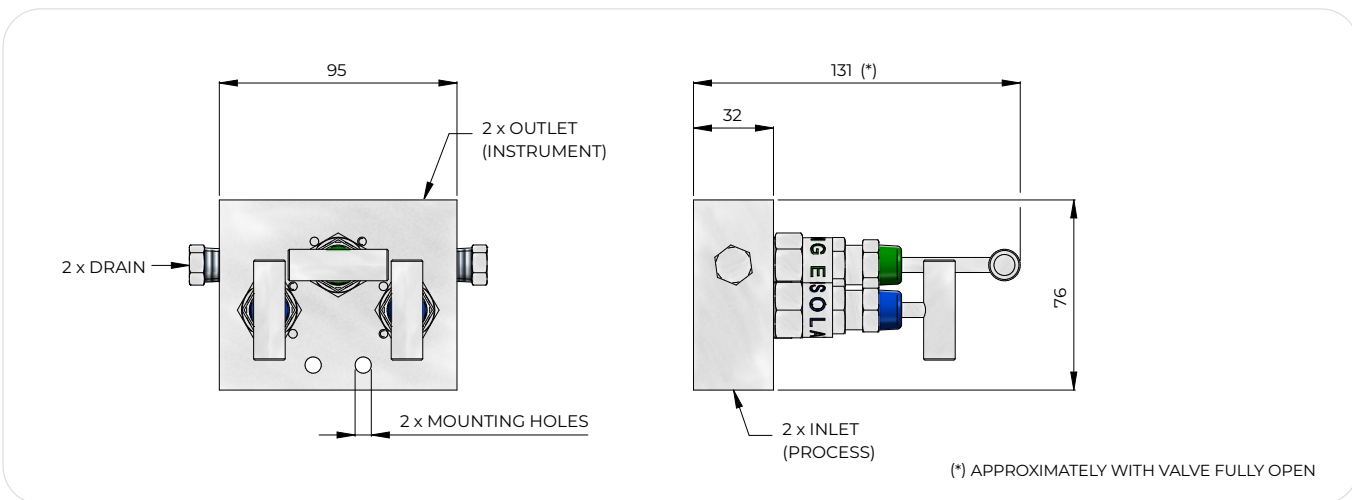


[Back to Index](#)



### Technical Features:

- Bar stock body
- Non-Rotating plug tip
- Lock pin to prevent accidental loosening of bonnet
- Dust cap for stem protection
- Colour coded functional identification
- Externally adjustable gland
- Complete with vent/drain plug made in same body material
- PED-ATEX-EAC



(\*) APPROXIMATELY WITH VALVE FULLY OPEN

### How to order:

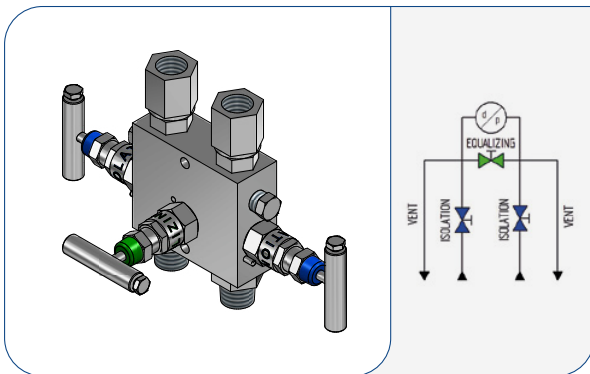
MANIFOLD SERIE	PRESSURE RATING	BODY MATERIAL	PACKING MATERIAL	INLET (PROCESS)	OUTLET (INSTRUMENT)	DRAIN	OPTIONS	ACCESSORIES	SPECIAL EXECUTIONS	
3R2	A: 6000 psi (5 mm bore)	01: AISI 316/L	A: PTFE (up to 200°C at 20 bar)	01: 1/2" NPT-F	01: 1/2" NPT-F	A: 1/4" NPT-F	A: No option			
		08: Monel 400								
		09: Hastelloy C276								
		10: Inconel 625								
		11: Inconel 825								
	B: 10000 psi (4 mm bore) (Available with PTFE gasket only)	12: F51 UNS S31803	B: Graphoil (up to 500°C at 20 bar)	03: 1/2" BSPP-F	03: 1/2" BSPP-F	B: 1/4" BSPP-F	B: NACE MR0103	01: No accessories		A0: Not required
		13: F53 UNS S32750								
		14: F55 UNS S32760								
		16: 6Mo UNS S31254								

• Other materials and connections are available on request

• Example of part number: **3R2 A 01 A 03 03 B A 01 A0**

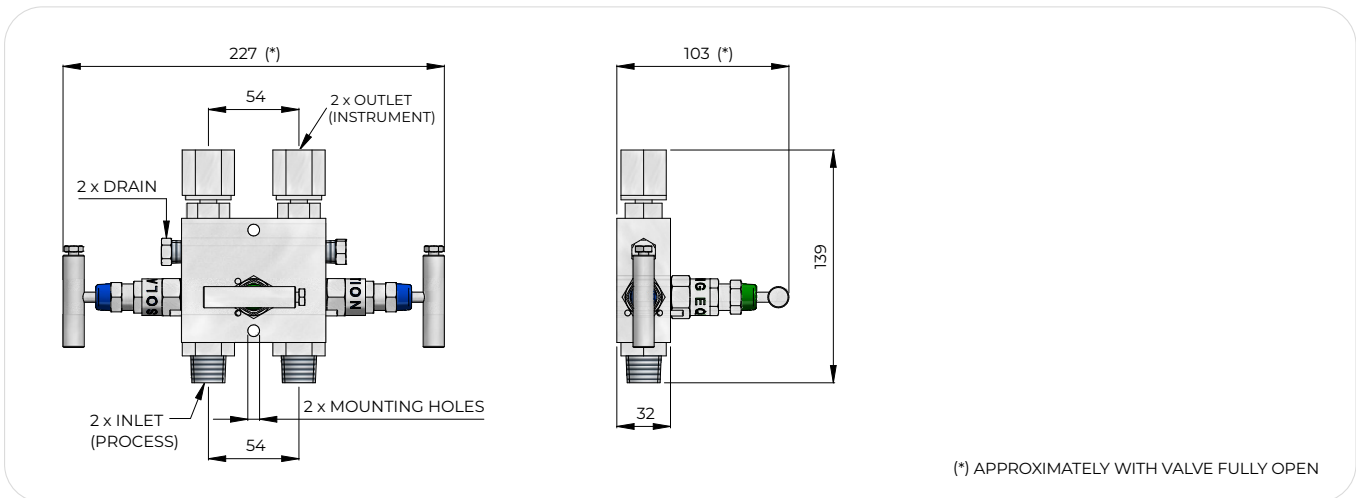
MANIFOLD SERIE 3R2-RATING 6.000 psi-BODY MATERIAL IN AISI 316/L-PTFE PACKING-INLET AND OUTLET 1/2"BSPP-F-DRAIN 1/4"BSPP-F-NO OPTION-NO ACCESSORIES

• Please consult the Accessories section starting from page 97 for available accessories



### Technical Features:

- Bar stock body
- Non-Rotating plug tip
- Lock pin to prevent accidental loosening of bonnet
- Dust cap for stem protection
- Colour coded functional identification
- Externally adjustable gland
- Complete with vent/drain plug made in same body material
- PED-ATEX-EAC



(\*) APPROXIMATELY WITH VALVE FULLY OPEN

### How to order:

MANIFOLD SERIE	PRESSURE RATING	BODY MATERIAL	PACKING MATERIAL	INLET (PROCESS)	OUTLET (INSTRUMENT)	DRAIN	OPTIONS	ACCESSORIES	SPECIAL EXECUTIONS	
3R3	A: 6000 psi (5 mm bore)	01: AISI 316/L	A: PTFE (up to 200°C at 20 bar)	02: 1/2" NPT-M		A: 1/4" NPT-F	A: No option		A0: Not required	
		08: Monel 400								
		09: Hastelloy C276								
		10: Inconel 625								
		11: Inconel 825								
	B: 10000 psi (4 mm bore) (Available with PTFE gasket only)	12: F51 UNS S31803	B: Graphoil (up to 500°C at 20 bar)	04: 1/2" BSPP-M	54: swivel 1/2"BSPP-F EN 837-1		H: No drain	B: NACE MR0103	01: No accessories	A3: centerline 50 mm
		13: F53 UNS S32750								
		14: F55 UNS S32760								
		16: 6Mo UNS S31254								
						C: Degreased for O <sub>2</sub>				

• Other materials and connections are available on request

 • Example of part number: **3R3 A 01 A 02 54 A A 01 A0**

MANIFOLD SERIE 3R3-RATING 6.000 psi-BODY MATERIAL IN AISI 316/L-PTFE PACKING-INLET 1/2"NPT-M-OUTLET SWIVEL 1/2"BSPP-F EN 837-1-DRAIN 1/4"NPT-F-NO OPTION-NO ACCESSORIES

• Please consult the Accessories section starting from page 97 for available accessories

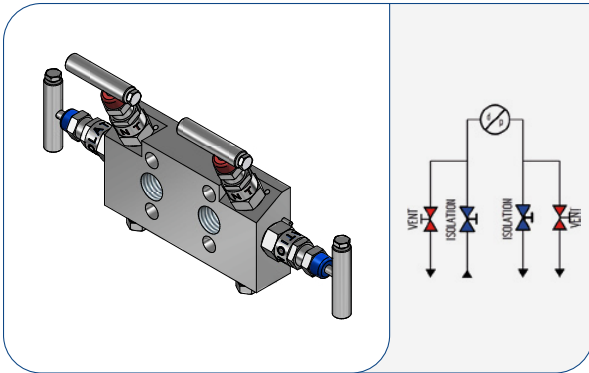
# INSTRUMENT MANIFOLDS

4-VALVES MANIFOLD  
DIRECT MOUNTING X FEMALE THREAD

bulk



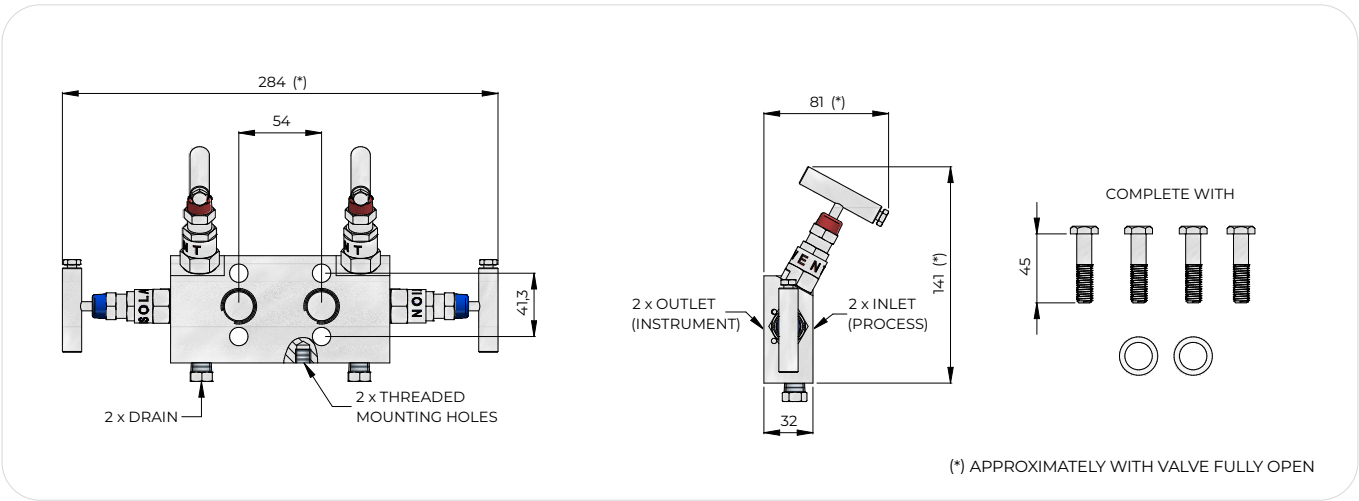
[Back to Index](#)



### Technical Features:

- Bar stock body
- Non-Rotating plug tip
- Lock pin to prevent accidental loosening of bonnet
- Dust cap for stem protection
- Colour coded functional identification
- Externally adjustable gland
- Complete with vent/drain plug made in same body material
- PED-ATEX-EAC

4-VALVES MANIFOLD DIRECT MOUNTING  
4D1 SERIE



(\*) APPROXIMATELY WITH VALVE FULLY OPEN

### How to order:

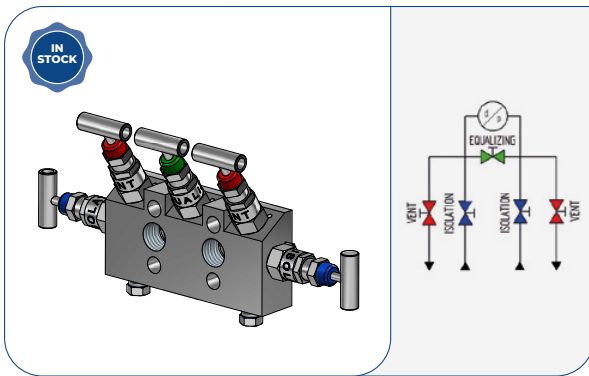
MANIFOLD SERIE	PRESSURE RATING	BODY MATERIAL	PACKING MATERIAL	INLET (PROCESS)	OUTLET (INSTRUMENT)	DRAIN	OPTIONS	ACCESSORIES	SPECIAL EXECUTIONS
4D1	A: 6000 psi (5 mm bore)	01: AISI 316/L	A: PTFE (up to 200°C at 20 bar)	01: 1/2" NPT-F	07: Flanged	A: 1/4" NPT-F	A: No option	01: No accessories	A0: Not required
		08: Monel 400							
		09: Hastelloy C276							
		10: Inconel 625							
		11: Inconel 825	B: Graphoil (up to 500°C at 20 bar)	03: 1/2" BSPP-F	52: EN/IEC 61518 B	B: 1/4" BSPP-F	C: Degreased for O <sub>2</sub>		
		12: F51 UNS S31803							
		13: F53 UNS S32750							
		14: F55 UNS S32760							
16: 6Mo UNS S31254									

• Other materials and connections are available on request

• Example of part number: **4D1 A 01 A 01 07 A A 01 A0**

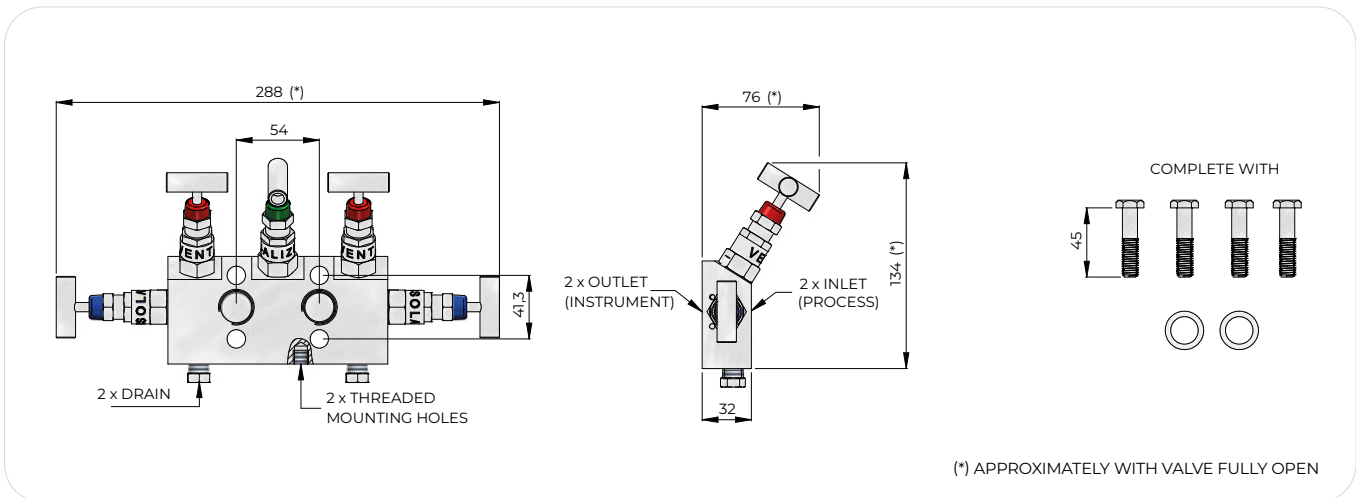
MANIFOLD SERIE 4D1-RATING 6.000 psi-WETTED PARTS IN AISI 316/L-PTFE PACKING-INLET 1/2"NPT-F-OUTLET FLANGED-DRAIN 1/4"NPT-F-NO OPTION-NO ACCESSORIES

• Please consult the Accessories section starting from page 97 for available accessories



**Technical Features:**

- Bar stock body
- Non-Rotating plug tip
- Lock pin to prevent accidental loosening of bonnet
- Dust cap for stem protection
- Colour coded functional identification
- Externally adjustable gland
- Complete with vent/drain plug made in same body material
- PED-ATEX-EAC



(\*) APPROXIMATELY WITH VALVE FULLY OPEN

**How to order:**

MANIFOLD SERIE	PRESSURE RATING	BODY MATERIAL	PACKING MATERIAL	INLET (PROCESS)	OUTLET (INSTRUMENT)	DRAIN	OPTIONS	ACCESSORIES	SPECIAL EXECUTIONS
SD1	A: 6000 psi (5 mm bore)	01: AISI 316/L	A: PTFE (up to 200°C at 20 bar)	01: 1/2" NPT-F	07: Flanged	A: 1/4" NPT-F	A: No option	01: No accessories	A0: Not required
		08: Monel 400							
		09: Hastelloy C276							
		10: Inconel 625							
		11: Inconel 825	B: Graphoil (up to 500°C at 20 bar)	03: 1/2" BSPP-F	52: EN/IEC 61518 B	B: 1/4" BSPP-F	C: Degreased for O <sub>2</sub>		
		12: F51 UNS S31803							
		13: F53 UNS S32750							
		14: F55 UNS S32760							
16: 6Mo UNS S31254									

• Other materials and connections are available on request

• Example of part number: **SD1 A 01 A 03 07 B A 01 A0**

MANIFOLD SERIE SD1-RATING 6.000 psi-BODY MATERIAL IN AISI 316/L-PTFE PACKING-INLET 1/2"BSPP-F-OUTLET FLANGED-DRAIN 1/4"BSPP-F-NO OPTION-NO ACCESSORIES

• Please consult the Accessories section starting from page 97 for available accessories

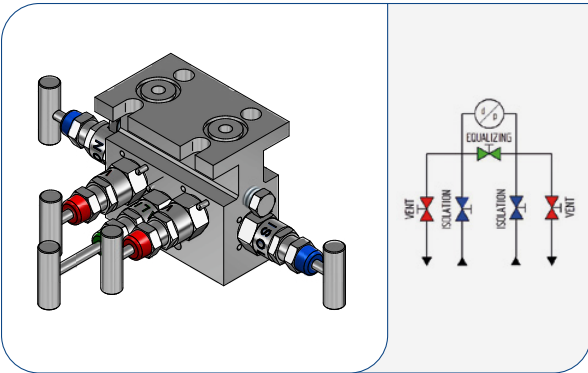
# INSTRUMENT MANIFOLDS

5-VALVES MANIFOLD  
DIRECT MOUNTING X FEMALE THREAD

bulk

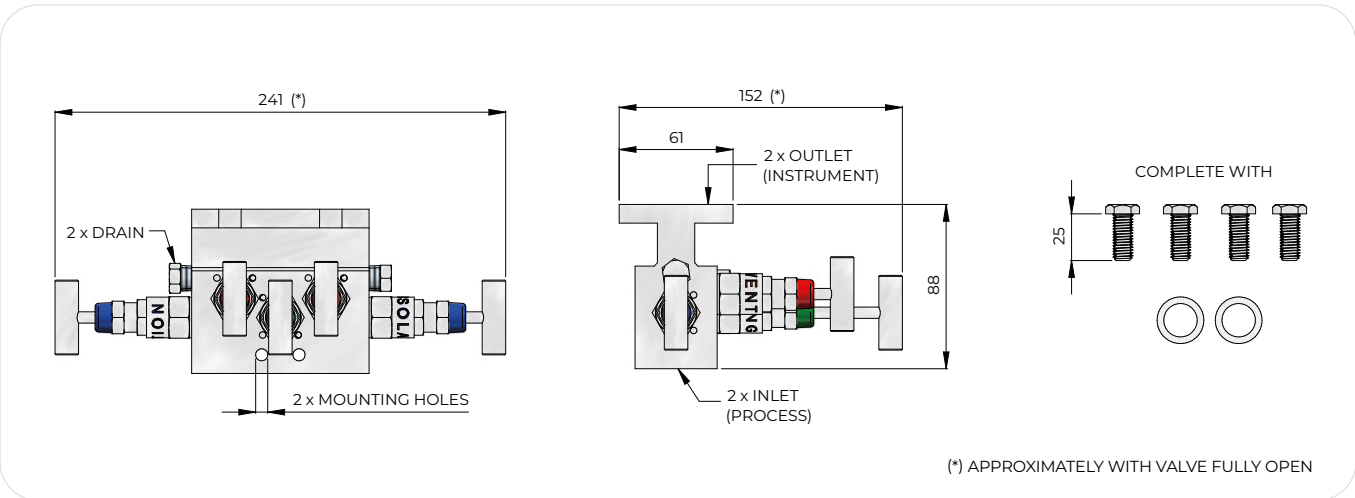


[Back to Index](#)



### Technical Features:

- Bar stock body
- Non-Rotating plug tip
- Lock pin to prevent accidental loosening of bonnet
- Dust cap for stem protection
- Colour coded functional identification
- Externally adjustable gland
- Complete with vent/drain plug made in same body material
- PED-ATEX-EAC



(\*) APPROXIMATELY WITH VALVE FULLY OPEN

5-VALVES MANIFOLD DIRECT MOUNTING  
5D2 SERIE

### How to order:

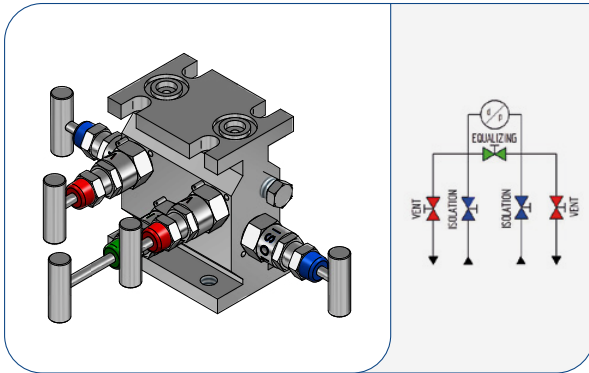
MANIFOLD SERIE	PRESSURE RATING	BODY MATERIAL	PACKING MATERIAL	INLET (PROCESS)	OUTLET (INSTRUMENT)	DRAIN	OPTIONS	ACCESSORIES	SPECIAL EXECUTIONS
5D2	A: 6000 psi (5 mm bore)	01: AISI 316/L	A: PTFE (up to 200°C at 20 bar)	01: 1/2" NPT-F	07: Flanged	A: 1/4" NPT-F	A: No option	01: No accessories	A0: Not required
		08: Monel 400							
		09: Hastelloy C276							
		10: Inconel 625							
		11: Inconel 825	B: Graphoil (up to 500°C at 20 bar)	03: 1/2" BSPP-F	52: EN/IEC 61518 B	B: 1/4" BSPP-F	C: Degreased for O <sub>2</sub>		
		12: F51 UNS S31803							
		13: F53 UNS S32750							
		14: F55 UNS S32760							
16: 6Mo UNS S31254									

• Other materials and connections are available on request

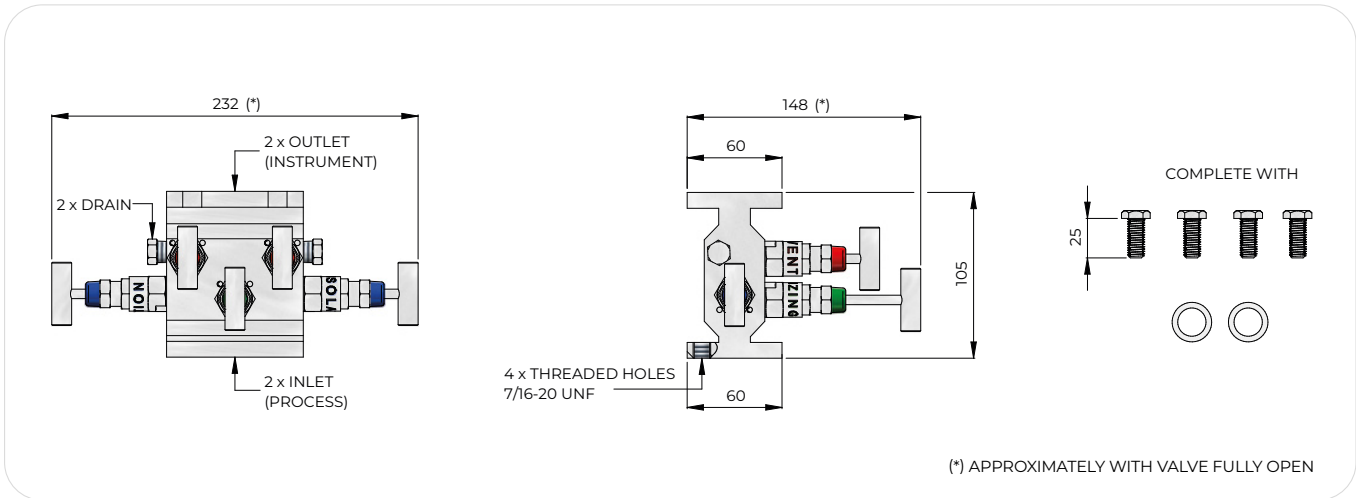
• Example of part number: **5D2 A 01 A 03 07 B A 01 A0**

MANIFOLD SERIE 5D2-RATING 6.000 psi-BODY MATERIAL IN AISI 316/L-PTFE PACKING-INLET 1/2"BSPP-F-OUTLET FLANGED-DRAIN 1/4"BSPP-F-NO OPTION-NO ACCESSORIES

• Please consult the Accessories section starting from page 97 for available accessories


**Technical Features:**

- Bar stock body
- Non-Rotating plug tip
- Lock pin to prevent accidental loosening of bonnet
- Dust cap for stem protection
- Colour coded functional identification
- Externally adjustable gland
- Complete with vent/drain plug made in same body material
- PED-ATEX-EAC



(\*) APPROXIMATELY WITH VALVE FULLY OPEN

**How to order:**

MANIFOLD SERIE	PRESSURE RATING	BODY MATERIAL	PACKING MATERIAL	INLET (PROCESS)	OUTLET (INSTRUMENT)	DRAIN	OPTIONS	ACCESSORIES	SPECIAL EXECUTIONS
5D3	A: 6000 psi (5 mm bore)	01: AISI 316/L	A: PTFE (up to 200°C at 20 bar)	07: Flanged	07: Flanged	A: 1/4" NPT-F	A: No option	01: No accessories	A0: Not required
		08: Monel 400							
		09: Hastelloy C276							
		10: Inconel 625							
		11: Inconel 825	B: Graphoil (up to 500°C at 20 bar)		52: EN/IEC 61518 B	B: 1/4" BSPP-F	C: Degreased for O <sub>2</sub>		
		12: F51 UNS S31803							
		13: F53 UNS S32750							
		14: F55 UNS S32760							
16: 6Mo UNS S31254									

• Other materials and connections are available on request

 • Example of part number: **5D3 A 01 A 07 07 B A 01 A0**

MANIFOLD SERIE 5D3-RATING 6.000 psi-BODY MATERIAL IN AISI 316/L-PTFE PACKING-INLET AND OUTLET FLANGED-DRAIN 1/4"BSPP-F-NO OPTION-NO ACCESSORIES

• Please consult the Accessories section starting from page 97 for available accessories

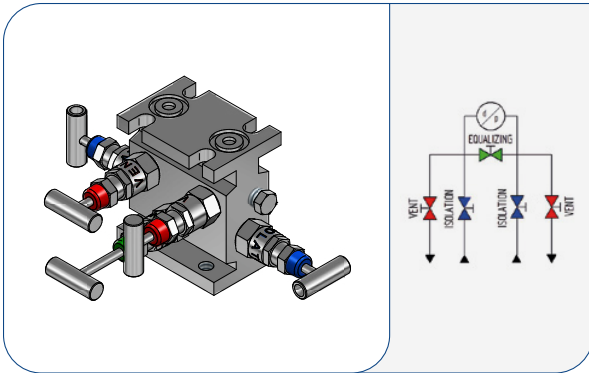
# INSTRUMENT MANIFOLDS

5-VALVES MANIFOLD  
DIRECT MOUNTING X FLANGED C/W FIXING HOLES

bulk



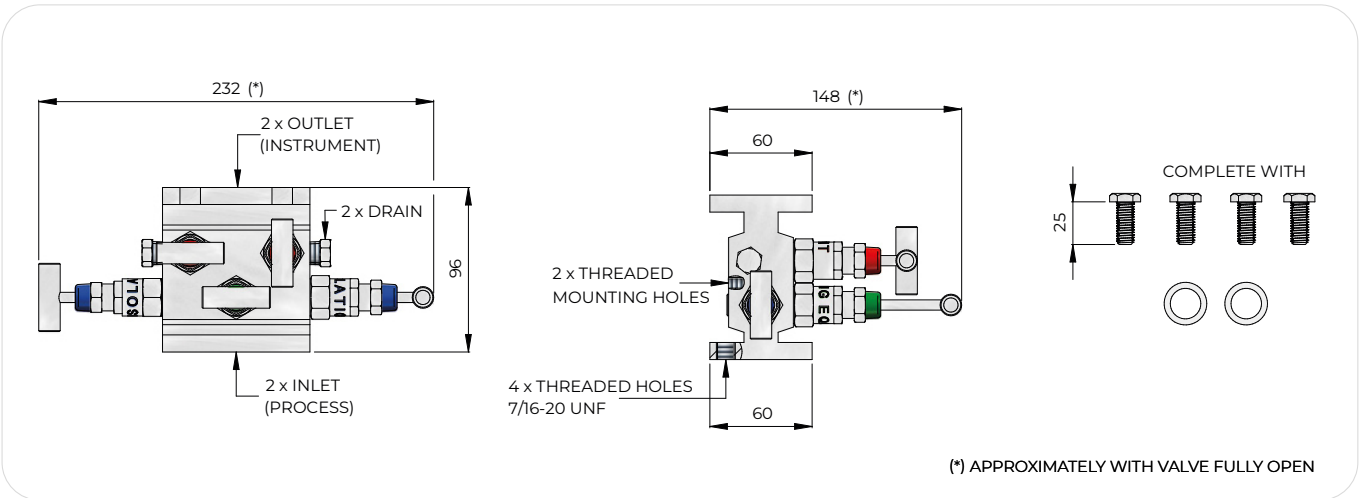
[Back to Index](#)



### Technical Features:

- Bar stock body
- Non-Rotating plug tip
- Lock pin to prevent accidental loosening of bonnet
- Dust cap for stem protection
- Colour coded functional identification
- Externally adjustable gland
- Complete with vent/drain plug made in same body material
- PED-ATEX-EAC

5-VALVES MANIFOLD DIRECT MOUNTING  
5D3MH SERIE



### How to order:

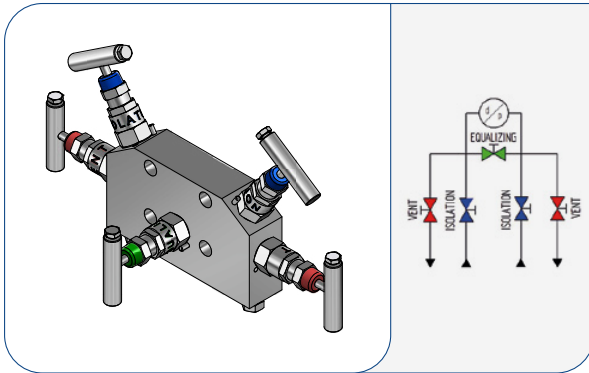
MANIFOLD SERIE	PRESSURE RATING	BODY MATERIAL	PACKING MATERIAL	INLET (PROCESS)	OUTLET (INSTRUMENT)	DRAIN	OPTIONS	ACCESSORIES	SPECIAL EXECUTIONS
5D3MH	A: 6000 psi (5 mm bore)	01: AISI 316/L	A: PTFE (up to 200°C at 20 bar)	07: Flanged	07: Flanged	A: 1/4" NPT-F	A: No option	01: No accessories	A0: Not required
		08: Monel 400							
		09: Hastelloy C276							
		10: Inconel 625							
		11: Inconel 825	B: Graphoil (up to 500°C at 20 bar)		52: EN/IEC 61518 B	B: 1/4" BSPP-F	B: NACE MR0103		
		12: F51 UNS S31803							
		13: F53 UNS S32750							
		14: F55 UNS S32760							
16: 6Mo UNS S31254	C: Degreased for O <sub>2</sub>								

• Other materials and connections are available on request

• Example of part number: **5D3MH A 01 A 07 07 B A 01 A0**

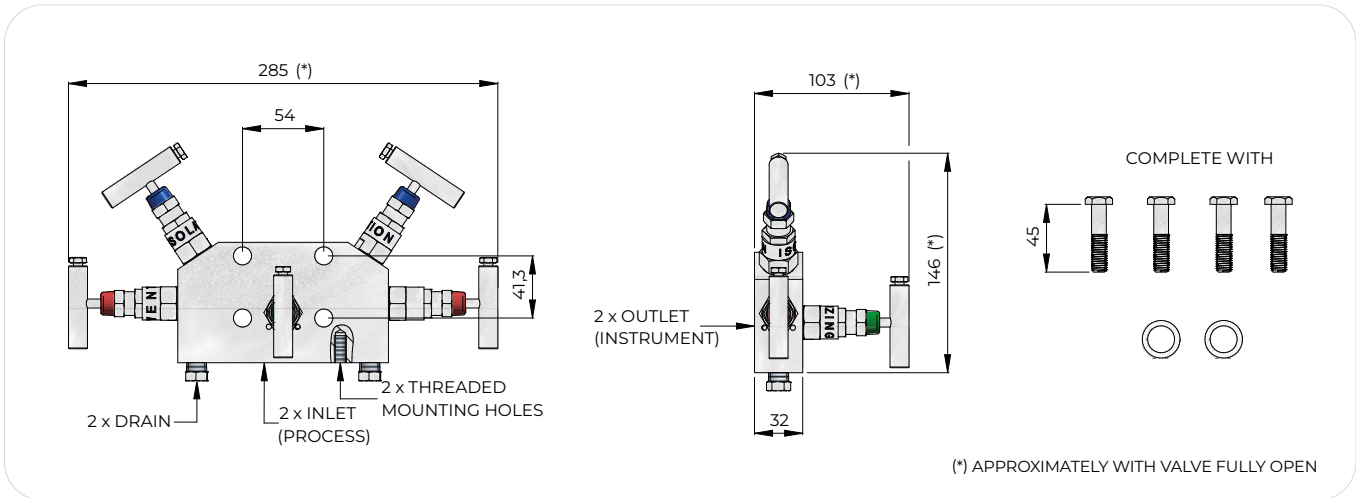
MANIFOLD SERIE 5D3MH-RATING 6.000 psi-BODY MATERIAL IN AISI 316/L-PTFE PACKING-INLET AND OUTLET FLANGED-DRAIN 1/4"BSPP-F-NO OPTION-NO ACCESSORIES

• Please consult the Accessories section starting from page 97 for available accessories



### Technical Features:

- Bar stock body
- Non-Rotating plug tip
- Lock pin to prevent accidental loosening of bonnet
- Dust cap for stem protection
- Colour coded functional identification
- Externally adjustable gland
- Complete with vent/drain plug made in same body material
- PED-ATEX-EAC



(\*) APPROXIMATELY WITH VALVE FULLY OPEN

### How to order:

MANIFOLD SERIE	PRESSURE RATING	BODY MATERIAL	PACKING MATERIAL	INLET (PROCESS)	OUTLET (INSTRUMENT)	DRAIN	OPTIONS	ACCESSORIES	SPECIAL EXECUTIONS
5D4	A: 6000 psi (5 mm bore)	01: AISI 316/L	A: PTFE (up to 200°C at 20 bar)	01: 1/2" NPT-F	07: Flanged	A: 1/4" NPT-F	A: No option	01: No accessories	A0: Not required
		08: Monel 400							
		09: Hastelloy C276							
		10: Inconel 625							
		11: Inconel 825	B: Graphoil (up to 500°C at 20 bar)		52: EN/IEC 61518 B	B: 1/4" BSPP-F	B: NACE MR0103		
		12: F51 UNS S31803							
		13: F53 UNS S32750							
		14: F55 UNS S32760							
16: 6Mo UNS S31254				C: Degreased for O <sub>2</sub>					

• Other materials and connections are available on request

• Example of part number: **5D4 A 01 A 01 07 A A 01 A0**

MANIFOLD SERIE 5D4-RATING 6.000 psi-BODY MATERIAL IN AISI 316/L-PTFE PACKING-INLET 1/2"NPT-F-OUTLET FLANGED-DRAIN 1/4"NPT-F-NO OPTION-NO ACCESSORIES

• Please consult the Accessories section starting from page 97 for available accessories

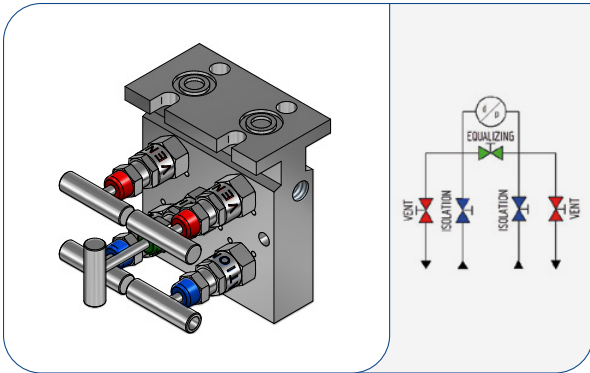
# INSTRUMENT MANIFOLDS

5-VALVES MANIFOLD  
DIRECT MOUNTING X FLANGED

bulk



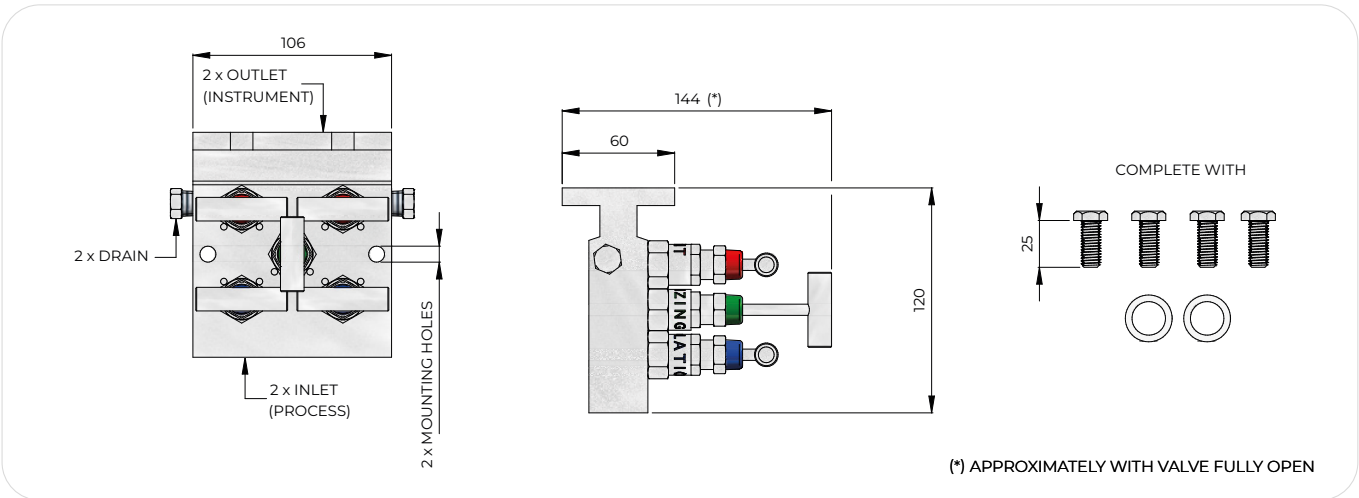
[Back to Index](#)



### Technical Features:

- Bar stock body
- Non-Rotating plug tip
- Lock pin to prevent accidental loosening of bonnet
- Dust cap for stem protection
- Colour coded functional identification
- Externally adjustable gland
- Complete with vent/drain plug made in same body material
- PED-ATEX-EAC

5-VALVES MANIFOLD DIRECT MOUNTING  
5D6 SERIE



### How to order:

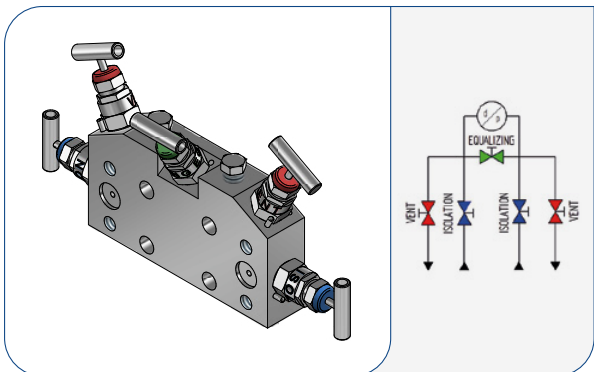
MANIFOLD SERIE	PRESSURE RATING	BODY MATERIAL	PACKING MATERIAL	INLET (PROCESS)	OUTLET (INSTRUMENT)	DRAIN	OPTIONS	ACCESSORIES	SPECIAL EXECUTIONS
5D6	A: 6000 psi (5 mm bore)	01: AISI 316/L	A: PTFE (up to 200°C at 20 bar)	01: 1/2" NPT-F	07: Flanged	A: 1/4" NPT-F	A: No option	01: No accessories	A0: Not required
		08: Monel 400							
		09: Hastelloy C276							
		10: Inconel 625							
		11: Inconel 825	B: Graphoil (up to 500°C at 20 bar)	07: Flanged	B: 1/4" BSPP-F	B: NACE MR0103			
		12: F51 UNS S31803							
		13: F53 UNS S32750							
		14: F55 UNS S32760							
16: 6Mo UNS S31254	C: Degreased for O <sub>2</sub>								

• Other materials and connections are available on request

• Example of part number: **5D6 A 01 A 01 07 A A 01 A0**

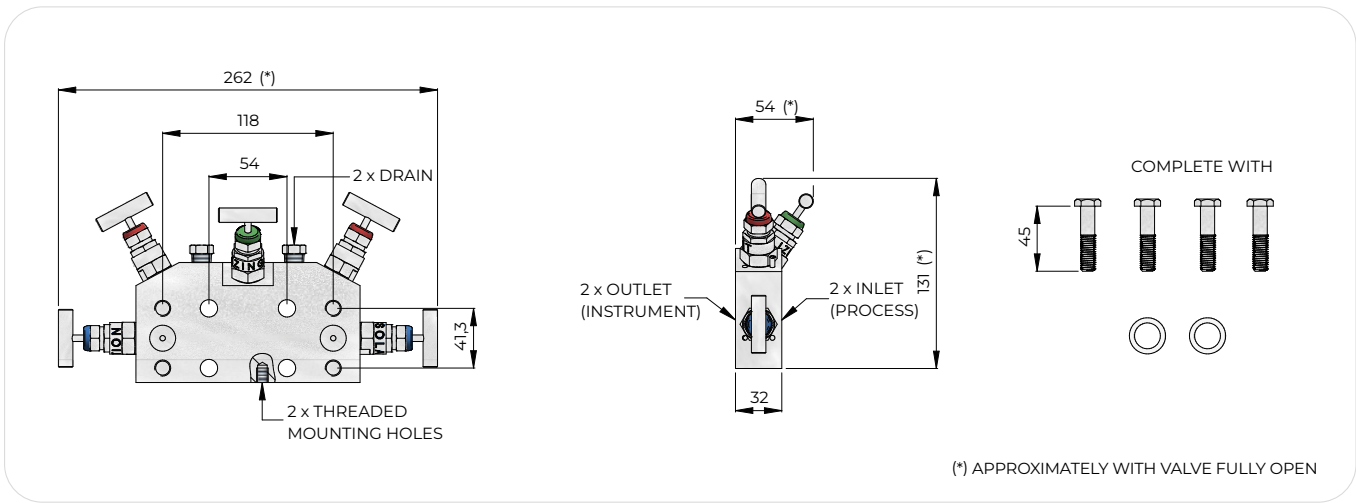
MANIFOLD SERIE 5D6-RATING 6.000 psi-BODY MATERIAL IN AISI 316/L-PTFE PACKING-INLET 1/2"NPT-F-OUTLET FLANGED-DRAIN 1/4"NPT-F-NO OPTION-NO ACCESSORIES

• Please consult the Accessories section starting from page 97 for available accessories



### Technical Features:

- Bar stock body
- Non-Rotating plug tip
- Lock pin to prevent accidental loosening of bonnet
- Dust cap for stem protection
- Colour coded functional identification
- Externally adjustable gland
- Complete with vent/drain plug made in same body material
- PED-ATEX-EAC



### How to order:

MANIFOLD SERIE	PRESSURE RATING	BODY MATERIAL	PACKING MATERIAL	INLET (PROCESS)	OUTLET (INSTRUMENT)	DRAIN	OPTIONS	ACCESSORIES	SPECIAL EXECUTIONS
5D7	A: 6000 psi (5 mm bore)	01: AISI 316/L	A: PTFE (up to 200°C at 20 bar)	07: Flanged	07: Flanged	A: 1/4" NPT-F	A: No option	01: No accessories	A0: Not required
		08: Monel 400							
		09: Hastelloy C276							
		10: Inconel 625							
		11: Inconel 825	B: Graphoil (up to 500°C at 20 bar)	64: EN/IEC 61518 B	52: EN/IEC 61518 B	B: 1/4" BSPP-F	C: Degreased for O <sub>2</sub>		
		12: F51 UNS S31803							
		13: F53 UNS S32750							
		14: F55 UNS S32760							
16: 6Mo UNS S31254									

• Other materials and connections are available on request

• Example of part number: **5D7 A 01 A 07 07 B A 01 A0**  
 MANIFOLD SERIE 5D7-RATING 6.000 psi-BODY MATERIAL IN AISI 316/L-PTFE PACKING-INLET AND OUTLET FLANGED-DRAIN 1/4"BSPP-F-NO OPTION-NO ACCESSORIES

• Please consult the Accessories section starting from page 97 for available accessories

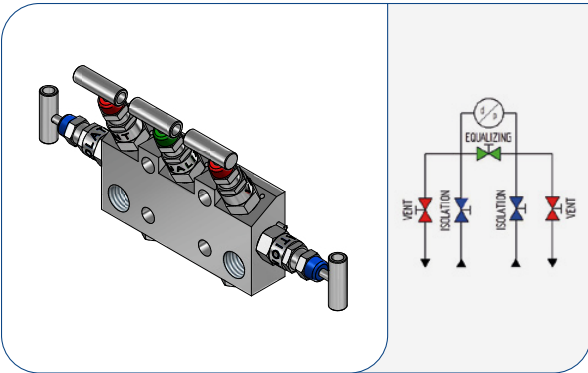
# INSTRUMENT MANIFOLDS

5-VALVES MANIFOLD  
DIRECT MOUNTING X FEMALE THREAD

bulk



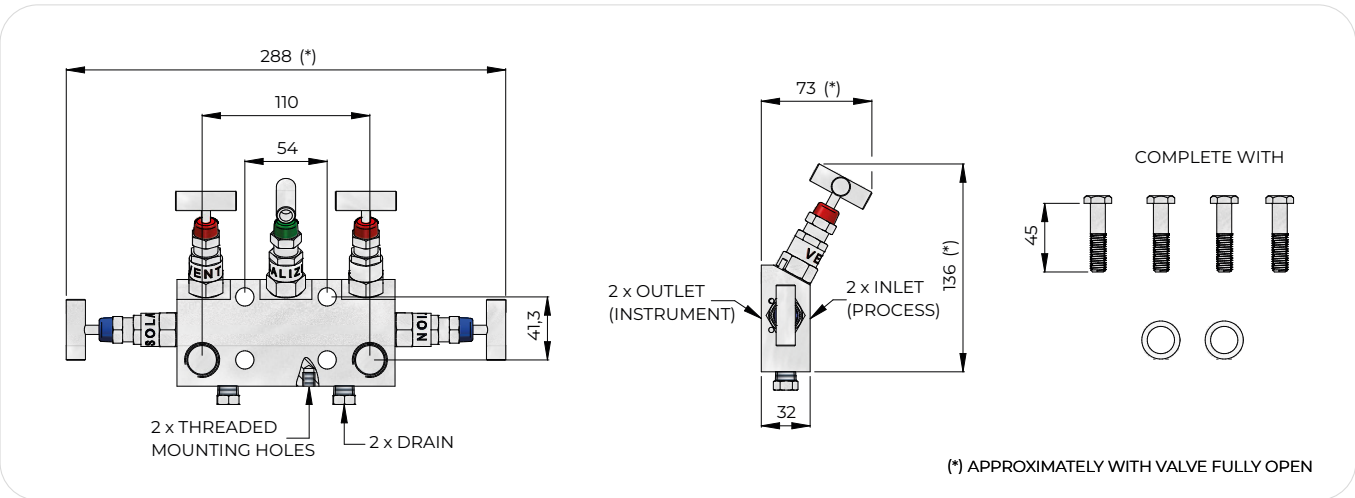
[Back to Index](#)



### Technical Features:

- Bar stock body
- Non-Rotating plug tip
- Lock pin to prevent accidental loosening of bonnet
- Dust cap for stem protection
- Colour coded functional identification
- Externally adjustable gland
- Complete with vent/drain plug made in same body material
- PED-ATEX-EAC

5-VALVES MANIFOLD DIRECT MOUNTING  
5D8 SERIE



### How to order:

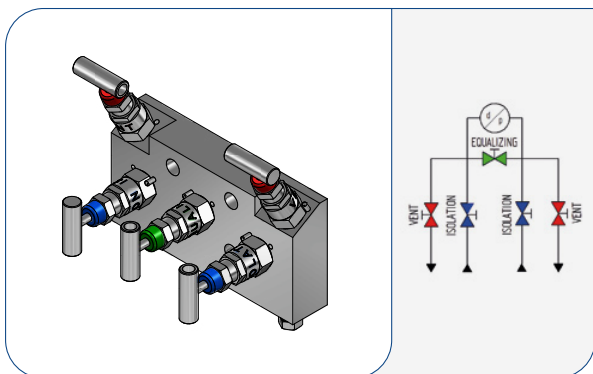
MANIFOLD SERIE	PRESSURE RATING	BODY MATERIAL	PACKING MATERIAL	INLET (PROCESS)	OUTLET (INSTRUMENT)	DRAIN	OPTIONS	ACCESSORIES	SPECIAL EXECUTIONS
5D8	A: 6000 psi (5 mm bore)	01: AISI 316/L	A: PTFE (up to 200°C at 20 bar)	01: 1/2" NPT-F	07: Flanged	A: 1/4" NPT-F	A: No option	01: No accessories	A0: Not required
		08: Monel 400							
		09: Hastelloy C276							
		10: Inconel 625							
		11: Inconel 825	B: Graphoil (up to 500°C at 20 bar)	03: 1/2" BSPP-F	52: EN/IEC 61518 B	B: 1/4" BSPP-F	C: Degreased for O <sub>2</sub>		
		12: F51 UNS S31803							
		13: F53 UNS S32750							
		14: F55 UNS S32760							
16: 6Mo UNS S31254									

• Other materials and connections are available on request

• Example of part number: **5D8 A 01 A 01 07 B A 01 A0**

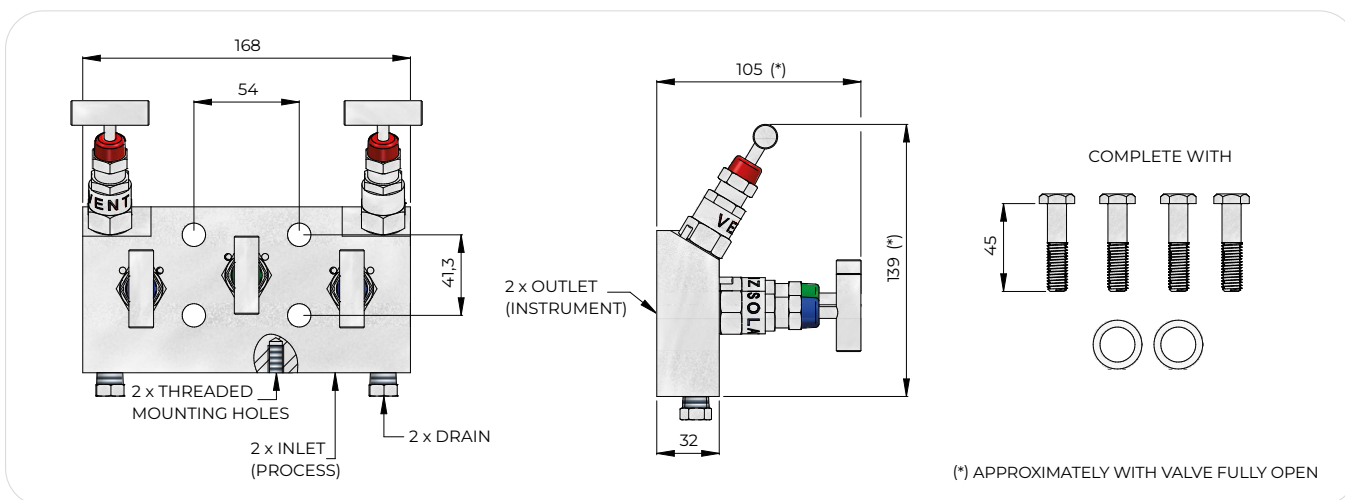
MANIFOLD SERIE 5D8-RATING 6.000 psi-BODY MATERIAL IN AISI 316/L-PTFE PACKING-INLET 1/2"NPT-F-OUTLET FLANGED-DRAIN 1/4"BSPP-F-NO OPTION-NO ACCESSORIES

• Please consult the Accessories section starting from page 97 for available accessories



### Technical Features:

- Bar stock body
- Non-Rotating plug tip
- Lock pin to prevent accidental loosening of bonnet
- Dust cap for stem protection
- Colour coded functional identification
- Externally adjustable gland
- Complete with vent/drain plug made in same body material
- PED-ATEX-EAC



(\*) APPROXIMATELY WITH VALVE FULLY OPEN

### How to order:

MANIFOLD SERIE	PRESSURE RATING	BODY MATERIAL	PACKING MATERIAL	INLET (PROCESS)	OUTLET (INSTRUMENT)	DRAIN	OPTIONS	ACCESSORIES	SPECIAL EXECUTIONS
SD10	A: 6000 psi (5 mm bore)	01: AISI 316/L	A: PTFE (up to 200°C at 20 bar)	01 1/2" NPT-F	07: Flanged	A: 1/4" NPT-F	A: No option	01: No accessories	A0: Not required
		08: Monel 400							
		09: Hastelloy C276							
		10: Inconel 625							
		11: Inconel 825	B: Graphoil (up to 500°C at 20 bar)	03: 1/2" BSPP-F	52: EN/IEC 61518 B	B: 1/4" BSPP-F	C: Degreased for O <sub>2</sub>		
		12: F51 UNS S31803							
		13: F53 UNS S32750							
		14: F55 UNS S32760							
16: 6Mo UNS S31254									

• Other materials and connections are available on request

• Example of part number: **SD10 A 01 A 01 07 B A 01 A0**

MANIFOLD SERIE 5D10-RATING 6.000 psi-BODY MATERIAL IN AISI 316/L-PTFE PACKING-INLET 1/2"NPT-F-OUTLET FLANGED-DRAIN 1/4"BSPP-F-NO OPTION-NO ACCESSORIES

• Please consult the Accessories section starting from page 97 for available accessories

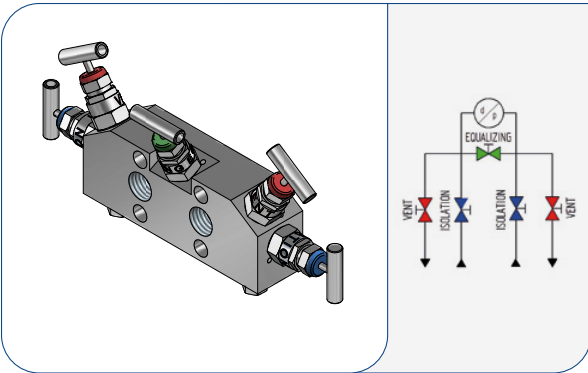
# INSTRUMENT MANIFOLDS

5-VALVES MANIFOLD  
DIRECT MOUNTING X FEMALE THREAD

bulk



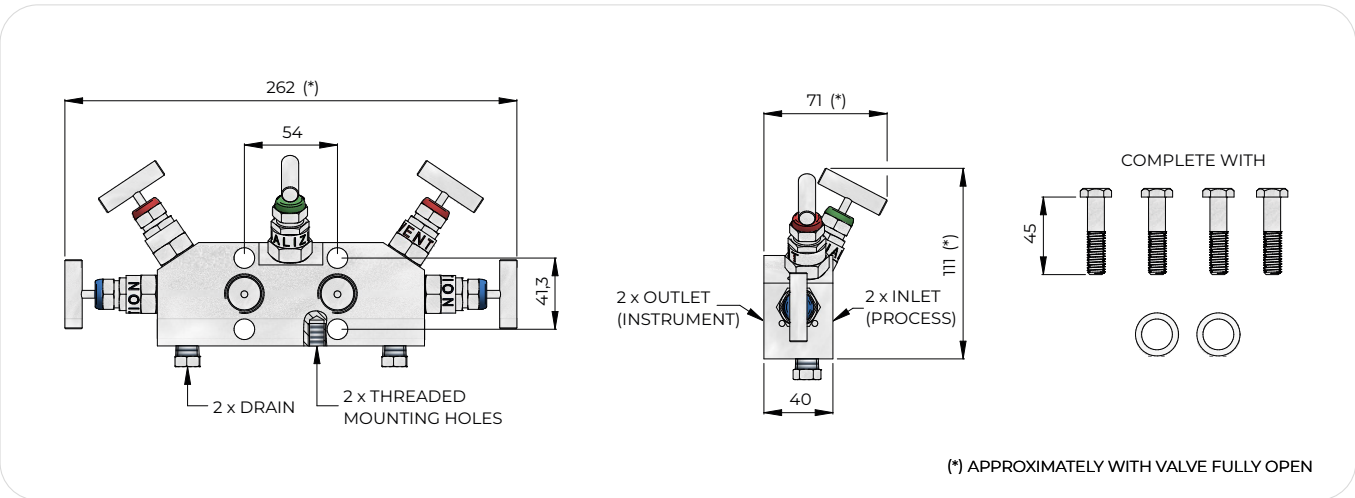
[Back to Index](#)



### Technical Features:

- Bar stock body
- Non-Rotating plug tip
- Lock pin to prevent accidental loosening of bonnet
- Dust cap for stem protection
- Colour coded functional identification
- Externally adjustable gland
- Complete with vent/drain plug made in same body material
- PED-ATEX-EAC

5-VALVES MANIFOLD DIRECT MOUNTING  
5D11 SERIE



### How to order:

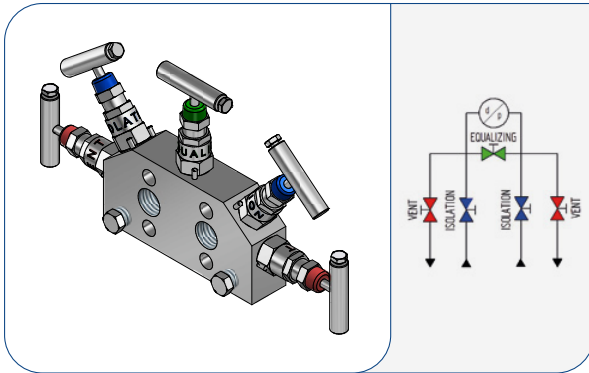
MANIFOLD SERIE	PRESSURE RATING	BODY MATERIAL	PACKING MATERIAL	INLET (PROCESS)	OUTLET (INSTRUMENT)	DRAIN	OPTIONS	ACCESSORIES	SPECIAL EXECUTIONS
5D11	A: 6000 psi (5 mm bore)	01: AISI 316/L	A: PTFE (up to 200°C at 20 bar)	01: 1/2" NPT-F	07: Flanged	A: 1/4" NPT-F	A: No option	01: No accessories	A6: Mini valves
		08: Monel 400							
		09: Hastelloy C276							
		10: Inconel 625							
		11: Inconel 825	B: Graphoil (up to 500°C at 20 bar)	03: 1/2" BSPP-F	52: EN/IEC 61518 B	B: 1/4" BSPP-F	C: Degreased for O <sub>2</sub>		
		12: F51 UNS S31803							
		13: F53 UNS S32750							
		14: F55 UNS S32760							
16: 6Mo UNS S31254									

• Other materials and connections are available on request

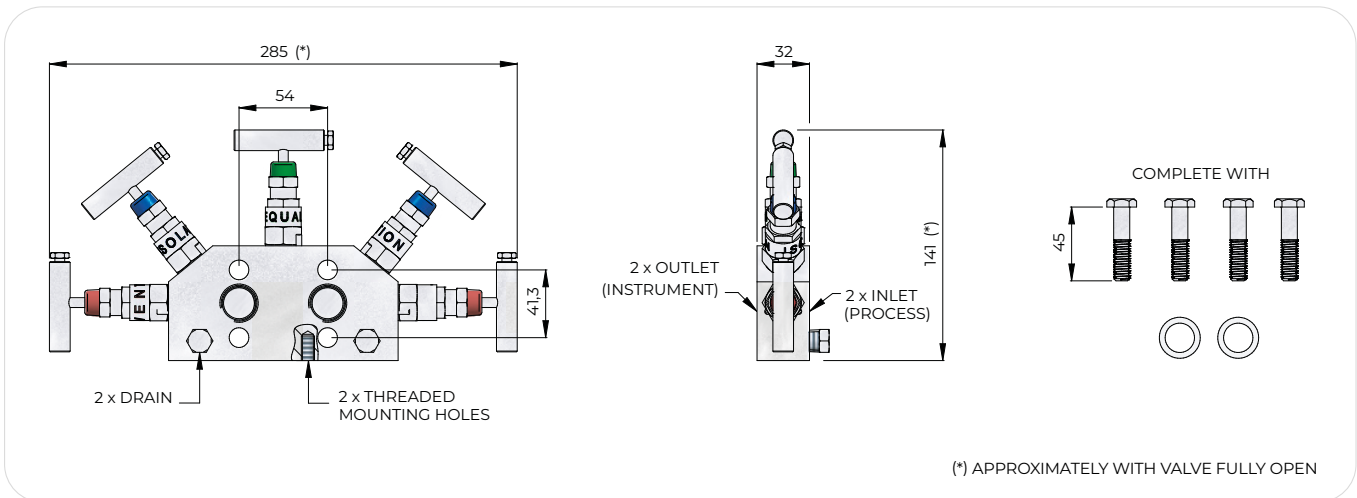
• Example of part number: **5D11 A 01 A 01 52 B A 01 A6**

MANIFOLD SERIE 5D11-RATING 6.000 psi-BODY MATERIAL IN AISI 316/L-PTFE PACKING-INLET 1/2"NPT-F-OUTLET FLANGED IEC 61518 B-DRAIN 1/4"BSPP-F-NO OPTION-NO ACCESSORIES-WITH MINI VALVES

• Please consult the Accessories section starting from page 97 for available accessories


**Technical Features:**

- Bar stock body
- Non-Rotating plug tip
- Lock pin to prevent accidental loosening of bonnet
- Dust cap for stem protection
- Colour coded functional identification
- Externally adjustable gland
- Complete with vent/drain plug made in same body material
- PED-ATEX-EAC



(\*) APPROXIMATELY WITH VALVE FULLY OPEN

**How to order:**

MANIFOLD SERIE	PRESSURE RATING	BODY MATERIAL	PACKING MATERIAL	INLET (PROCESS)	OUTLET (INSTRUMENT)	DRAIN	OPTIONS	ACCESSORIES	SPECIAL EXECUTIONS
5D14	A: 6000 psi (5 mm bore)	01: AISI 316/L	A: PTFE (up to 200°C at 20 bar)	01: 1/2" NPT-F	07: Flanged	A: 1/4" NPT-F	A: No option	01: No accessories	A0: Not required
		08: Monel 400							
		09: Hastelloy C276							
		10: Inconel 625							
		11: Inconel 825	B: Graphoil (up to 500°C at 20 bar)		52: EN/IEC 61518 B	B: 1/4" BSPP-F	C: Degreased for O <sub>2</sub>		
		12: F51 UNS S31803							
		13: F53 UNS S32750							
		14: F55 UNS S32760							
16: 6Mo UNS S31254									

• Other materials and connections are available on request

 • Example of part number: **5D14 A 01 A 01 07 B A 01 A0**

MANIFOLD SERIE 5D14-RATING 6.000 psi-BODY MATERIAL IN AISI 316/L-PTFE PACKING-INLET 1/2"NPT-F-OUTLET FLANGED-DRAIN 1/4"BSPP-F-NO OPTION-NO ACCESSORIES

• Please consult the Accessories section starting from page 97 for available accessories

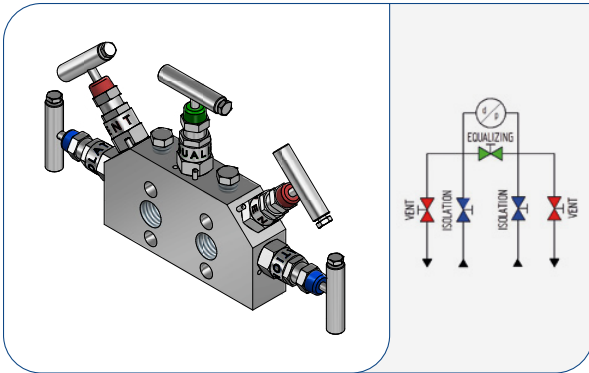
# INSTRUMENT MANIFOLDS

5-VALVES MANIFOLD  
DIRECT MOUNTING X FEMALE THREAD

bulk

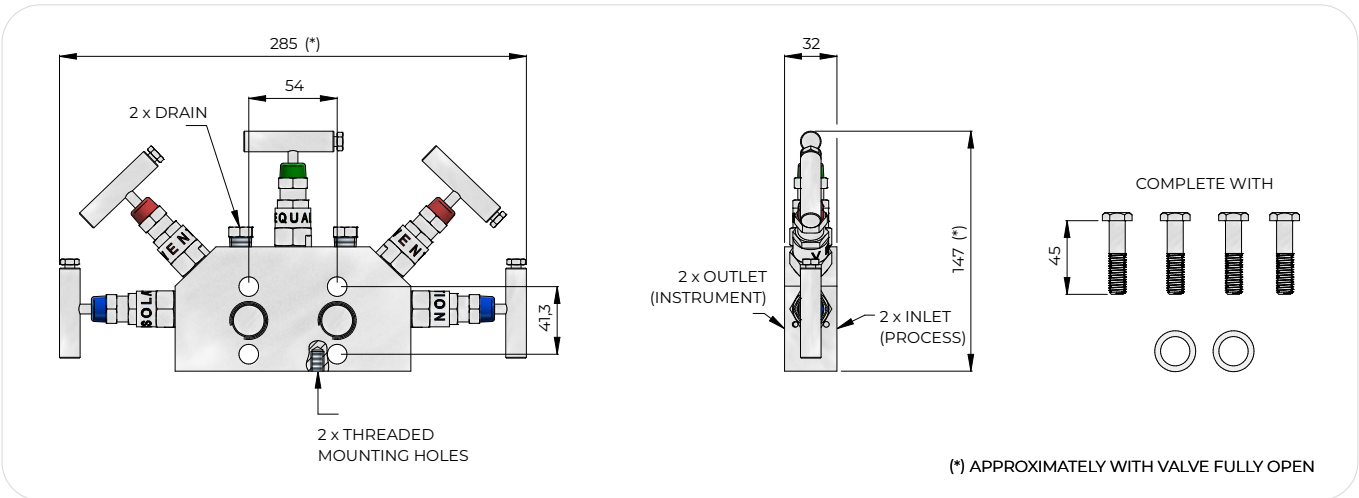


[Back to Index](#)



### Technical Features:

- Bar stock body
- Non-Rotating plug tip
- Lock pin to prevent accidental loosening of bonnet
- Dust cap for stem protection
- Colour coded functional identification
- Externally adjustable gland
- Complete with vent/drain plug made in same body material
- PED-ATEX-EAC



5-VALVES MANIFOLD DIRECT MOUNTING  
5D15 SERIE

### How to order:

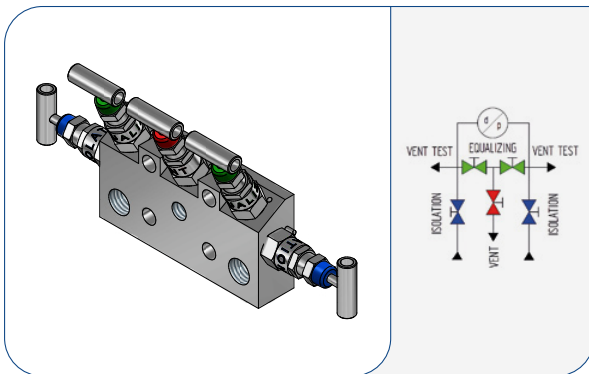
MANIFOLD SERIE	PRESSURE RATING	BODY MATERIAL	PACKING MATERIAL	INLET (PROCESS)	OUTLET (INSTRUMENT)	DRAIN	OPTIONS	ACCESSORIES	SPECIAL EXECUTIONS
5D15	A: 6000 psi (5 mm bore)	01: AISI 316/L	A: PTFE (up to 200°C at 20 bar)	01: 1/2" NPT-F	07: Flanged	A: 1/4" NPT-F	A: No option	01: No accessories	A0: Not required
		08: Monel 400							
		09: Hastelloy C276							
		10: Inconel 625							
		11: Inconel 825	B: Graphoil (up to 500°C at 20 bar)		52: EN/IEC 61518 B	B: 1/4" BSPP-F	B: NACE MR0103		
		12: F51 UNS S31803							
		13: F53 UNS S32750							
		14: F55 UNS S32760							
16: 6Mo UNS S31254					C: Degreased for O <sub>2</sub>				

• Other materials and connections are available on request

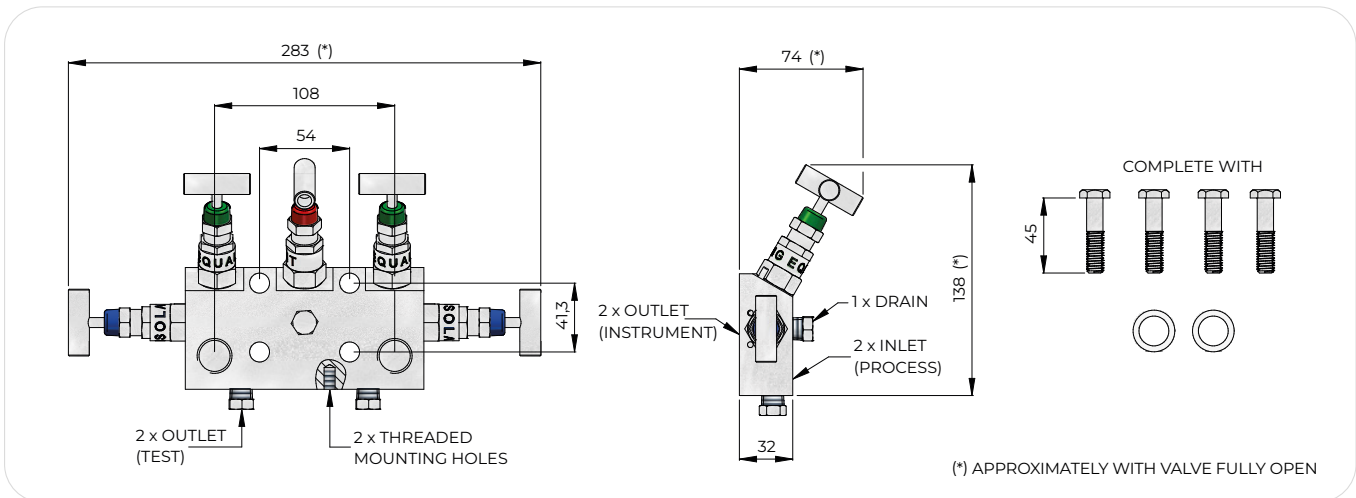
• Example of part number: **5D15 A 01 A 01 07 B A 01 A0**

MANIFOLD SERIE 5D15-RATING 6.000 psi-BODY MATERIAL IN AISI 316/L-PTFE PACKING-INLET 1/2"NPT-F-OUTLET FLANGED-DRAIN 1/4"BSPP-F-NO OPTION-NO ACCESSORIES

• Please consult the Accessories section starting from page 97 for available accessories


**Technical Features:**

- Bar stock body
- Non-Rotating plug tip
- Lock pin to prevent accidental loosening of bonnet
- Dust cap for stem protection
- Colour coded functional identification
- Externally adjustable gland
- Complete with vent/drain plug made in same body material
- PED-ATEX-EAC



(\*) APPROXIMATELY WITH VALVE FULLY OPEN

**How to order:**

MANIFOLD SERIE	PRESSURE RATING	BODY MATERIAL	PACKING MATERIAL	INLET (PROCESS)	OUTLET (INSTRUMENT)	DRAIN	OPTIONS	ACCESSORIES	SPECIAL EXECUTIONS
5D16	A: 6000 psi (5 mm bore)	01: AISI 316/L	A: PTFE (up to 200°C at 20 bar)	01: 1/2" NPT-F	07: Flanged	N: 1/4" BSPP-F DIN 3852 TYPE X	A: No option	01: No accessories	A0: Not required
		08: Monel 400							
		09: Hastelloy C276							
		10: Inconel 625							
		11: Inconel 825	B: Graphoil (up to 500°C at 20 bar)	03: 1/2" BSPP-F	52: EN/IEC 61518 B	P: 1/4" NPT-F DRAIN & TEST	C: Degreased for O <sub>2</sub>		
		12: F51 UNS S31803							
		13: F53 UNS S32750							
		14: F55 UNS S32760							
16: 6Mo UNS S31254									

• Other materials and connections are available on request

 • Example of part number: **5D16 A 01 A 01 07 P A 01 A0**

MANIFOLD SERIE 5D16-RATING 6.000 psi-BODY MATERIAL IN AISI 316/L-PTFE PACKING-INLET 1/2"NPT-F-OUTLET FLANGED-DRAIN &amp; TEST 1/4"NPT-F-NO OPTION-NO ACCESSORIES

• Please consult the Accessories section starting from page 97 for available accessories

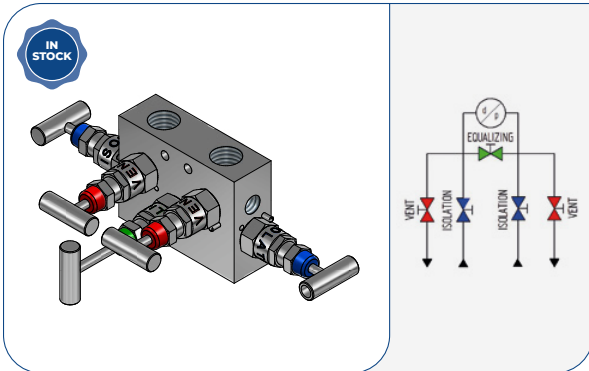
# INSTRUMENT MANIFOLDS

5-VALVES MANIFOLD  
REMOTE MOUNTING THREADED FEMALE/FEMALE

bulk



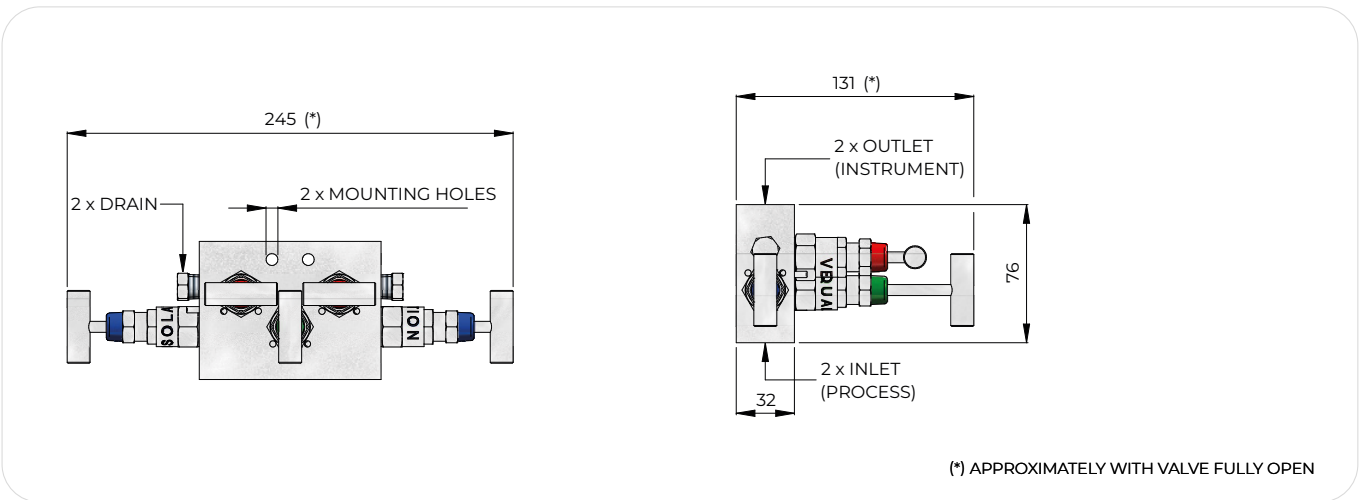
[Back to Index](#)



### Technical Features:

- Bar stock body
- Non-Rotating plug tip
- Lock pin to prevent accidental loosening of bonnet
- Dust cap for stem protection
- Colour coded functional identification
- Externally adjustable gland
- Complete with vent/drain plug made in same body material
- PED-ATEX-EAC

5-VALVES MANIFOLD REMOTE MOUNTING  
5R1 SERIE



(\*) APPROXIMATELY WITH VALVE FULLY OPEN

### How to order:

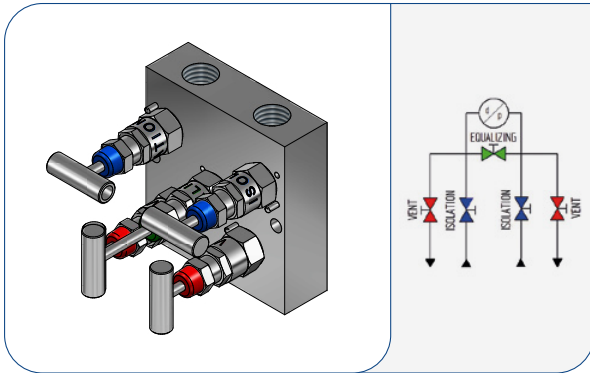
MANIFOLD SERIE	PRESSURE RATING	BODY MATERIAL	PACKING MATERIAL	INLET (PROCESS)	OUTLET (INSTRUMENT)	DRAIN	OPTIONS	ACCESSORIES	SPECIAL EXECUTIONS
5R1	A: 6000 psi (5 mm bore)	01: AISI 316/L	A: PTFE (up to 200°C at 20 bar)	01: 1/2" NPT-F	01: 1/2" NPT-F	A: 1/4" NPT-F	A: No option	01: No accessories	A0: Not required
		08: Monel 400							
		09: Hastelloy C276							
		10: Inconel 625							
		11: Inconel 825							
	B: 10000 psi (4 mm bore) (Available with PTFE gasket only)	12: F51 UNS S31803	B: Graphoil (up to 500°C at 20 bar)	03: 1/2" BSPP-F	03: 1/2" BSPP-F	B: 1/4" BSPP-F	B: NACE MR0103		
		13: F53 UNS S32750							
		14: F55 UNS S32760							
		16: 6Mo UNS S31254							

• Other materials and connections are available on request

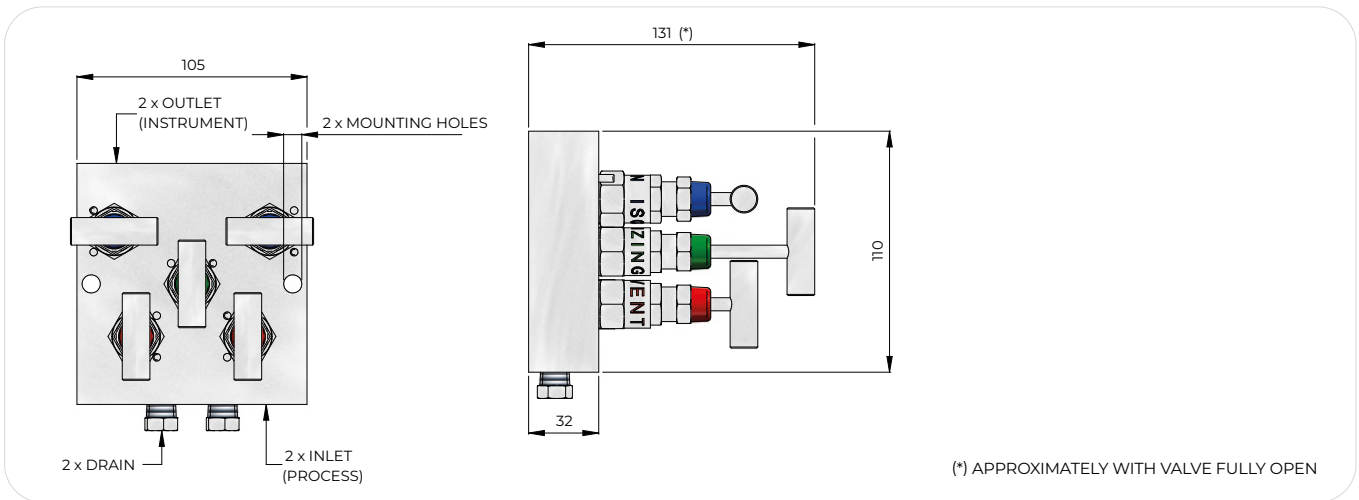
• Example of part number: **5R1 A 01 A 01 01 B A 01 A0**

MANIFOLD SERIE 5R1-RATING 6.000 psi-BODY MATERIAL IN AISI 316/L-PTFE PACKING-INLET AND OUTLET 1/2"NPT-F-DRAIN 1/4"BSPP-F-NO OPTION-NO ACCESSORIES

• Please consult the Accessories section starting from page 97 for available accessories


**Technical Features:**

- Bar stock body
- Non-Rotating plug tip
- Lock pin to prevent accidental loosening of bonnet
- Dust cap for stem protection
- Colour coded functional identification
- Externally adjustable gland
- Complete with vent/drain plug made in same body material
- PED-ATEX-EAC



(\*) APPROXIMATELY WITH VALVE FULLY OPEN

**How to order:**

MANIFOLD SERIE	PRESSURE RATING	BODY MATERIAL	PACKING MATERIAL	INLET (PROCESS)	OUTLET (INSTRUMENT)	DRAIN	OPTIONS	ACCESSORIES	SPECIAL EXECUTIONS	
5R2	A: 6000 psi (5 mm bore)	01: AISI 316/L	A: PTFE (up to 200°C at 20 bar)	01: 1/2" NPT-F	01: 1/2" NPT-F	A: 1/4" NPT-F	A: No option			
		08: Monel 400								
		09: Hastelloy C276								
		10: Inconel 625								
		11: Inconel 825								
		12: F51 UNS S31803								
	B: 10000 psi (4 mm bore) (Available with PTFE gasket only)	13: F53 UNS S32750	B: Graphoil (up to 500°C at 20 bar)	03: 1/2" BSPP-F	03: 1/2" BSPP-F	B: 1/4" BSPP-F	B: NACE MR0103	01: No accessories		A0: Not required
		14: F55 UNS S32760								
		16: 6Mo UNS S31254								
							C: Degreased for O <sub>2</sub>			

• Other materials and connections are available on request

 • Example of part number: **5R2 A 01 A 01 01 A A 01 A0**

MANIFOLD SERIE 5R2-RATING 6.000 psi-BODY MATERIAL IN AISI 316/L-PTFE PACKING-INLET AND OUTLET 1/2"NPT-F-DRAIN 1/4"NPT-F-NO OPTION-NO ACCESSORIES

• Please consult the Accessories section starting from page 97 for available accessories

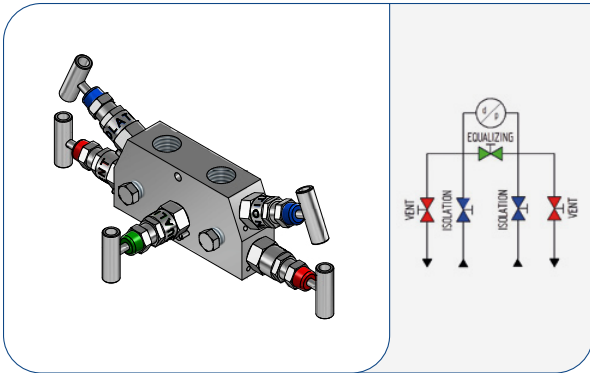
# INSTRUMENT MANIFOLDS

5-VALVES MANIFOLD  
REMOTE MOUNTING THREADED FEMALE/FEMALE

bulk



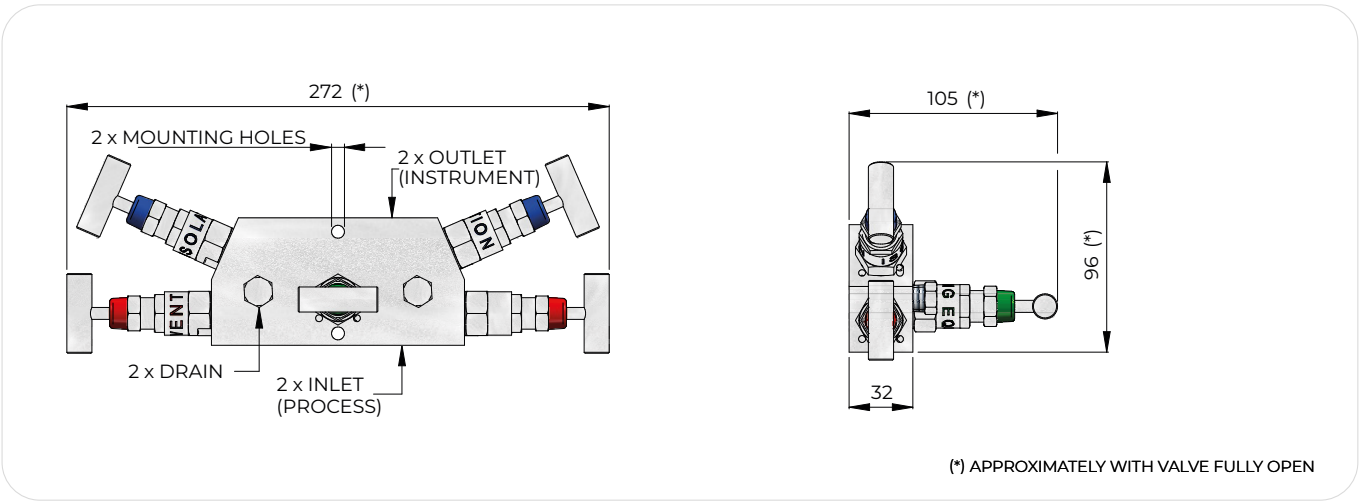
[Back to Index](#)



### Technical Features:

- Bar stock body
- Non-Rotating plug tip
- Lock pin to prevent accidental loosening of bonnet
- Dust cap for stem protection
- Colour coded functional identification
- Externally adjustable gland
- Complete with vent/drain plug made in same body material
- PED-ATEX-EAC

5-VALVES MANIFOLD REMOTE MOUNTING  
5R3 SERIE



### How to order:

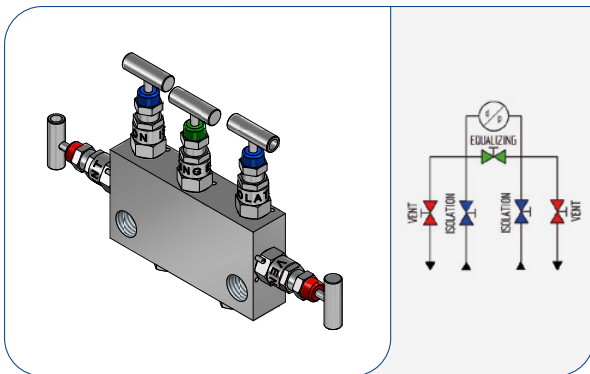
MANIFOLD SERIE	PRESSURE RATING	BODY MATERIAL	PACKING MATERIAL	INLET (PROCESS)	OUTLET (INSTRUMENT)	DRAIN	OPTIONS	ACCESSORIES	SPECIAL EXECUTIONS
5R3	A: 6000 psi (5 mm bore)	01: AISI 316/L	A: PTFE (up to 200°C at 20 bar)	01: 1/2" NPT-F	01: 1/2" NPT-F	A: 1/4" NPT-F	A: No option		AO: Not required
		08: Monel 400							
		09: Hastelloy C276							
		10: Inconel 625							
		11: Inconel 825							
	B: 10000 psi (4 mm bore) (Available with PTFE gasket only)	12: F51 UNS S31803	B: Graphoil (up to 500°C at 20 bar)	03: 1/2" BSPP-F	03: 1/2" BSPP-F	B: 1/4" BSPP-F	B: NACE MR0103	01: No accessories	
		13: F53 UNS S32750							
		14: F55 UNS S32760							
		16: 6Mo UNS S31254							

• Other materials and connections are available on request

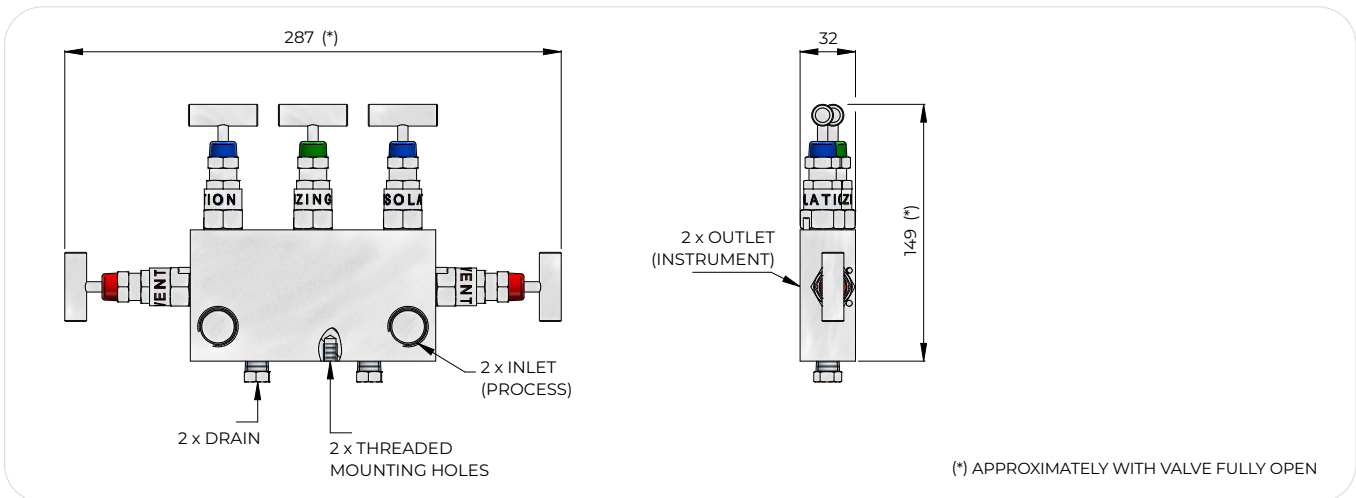
• Example of part number: **5R3 A 01 A 01 01 B A 01 A0**

MANIFOLD SERIE 5R3-RATING 6.000 psi-BODY MATERIAL IN AISI 316/L-PTFE PACKING-INLET AND OUTLET 1/2"NPT-F-DRAIN 1/4"BSPP-F-NO OPTION-NO ACCESSORIES

• Please consult the Accessories section starting from page 97 for available accessories


**Technical Features:**

- Bar stock body
- Non-Rotating plug tip
- Lock pin to prevent accidental loosening of bonnet
- Dust cap for stem protection
- Colour coded functional identification
- Externally adjustable gland
- Complete with vent/drain plug made in same body material
- PED-ATEX-EAC



(\*) APPROXIMATELY WITH VALVE FULLY OPEN

**How to order:**

MANIFOLD SERIE	PRESSURE RATING	BODY MATERIAL	PACKING MATERIAL	INLET (PROCESS)	OUTLET (INSTRUMENT)	DRAIN	OPTIONS	ACCESSORIES	SPECIAL EXECUTIONS	
5R5	A: 6000 psi (5 mm bore)	01: AISI 316/L	A: PTFE (up to 200°C at 20 bar)	01: 1/2" NPT-F	01: 1/2" NPT-F	A: 1/4" NPT-F	A: No option			
		08: Monel 400								
		09: Hastelloy C276								
		10: Inconel 625								
		11: Inconel 825								
	B: 10000 psi (4 mm bore) (Available with PTFE gasket only)	12: F51 UNS S31803	B: Graphoil (up to 500°C at 20 bar)	03: 1/2" BSPP-F	03: 1/2" BSPP-F	D: 1/2" NPT-F	B: NACE MR0103	01: No accessories		A0: Not required
		13: F53 UNS S32750								
		14: F55 UNS S32760								
		16: 6Mo UNS S31254								

• Other materials and connections are available on request

 • Example of part number: **5R5 A 01 A 01 01 D A 01 A0**

MANIFOLD SERIE 5R5-RATING 6.000 psi-BODY MATERIAL IN AISI 316/L-PTFE PACKING-INLET AND OUTLET 1/2"NPT-F-DRAIN 1/2"NPT-F-NO OPTION-NO ACCESSORIES

• Please consult the Accessories section starting from page 97 for available accessories

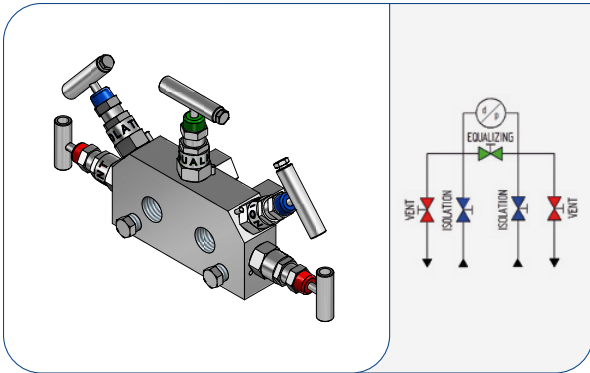
# INSTRUMENT MANIFOLDS

5-VALVES MANIFOLD  
REMOTE MOUNTING THREADED FEMALE/SWIVEL

bulk



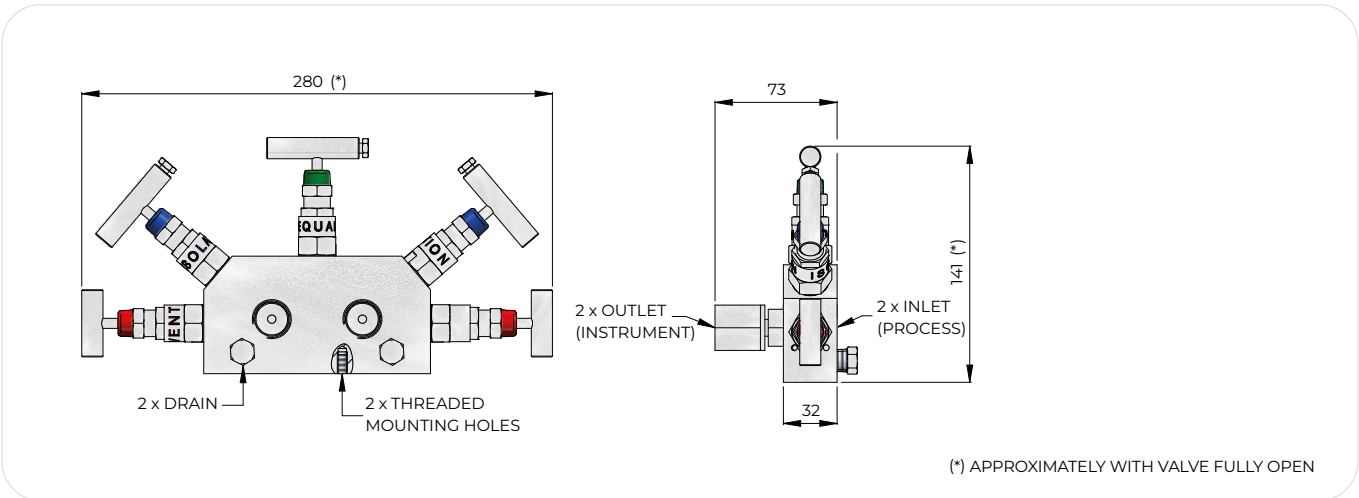
[Back to Index](#)



### Technical Features:

- Bar stock body
- Non-Rotating plug tip
- Lock pin to prevent accidental loosening of bonnet
- Dust cap for stem protection
- Colour coded functional identification
- Externally adjustable gland
- Complete with vent/drain plug made in same body material
- PED-ATEX-EAC

5-VALVES MANIFOLD REMOTE MOUNTING  
5R6 SERIE



(\*) APPROXIMATELY WITH VALVE FULLY OPEN

### How to order:

MANIFOLD SERIE	PRESSURE RATING	BODY MATERIAL	PACKING MATERIAL	INLET (PROCESS)	OUTLET (INSTRUMENT)	DRAIN	OPTIONS	ACCESSORIES	SPECIAL EXECUTIONS
5R6	A: 6000 psi (5 mm bore)	01: AISI 316/L	A: PTFE (up to 200°C at 20 bar)	01: 1/2" NPT-F	54: swivel 1/2"BSPP-F EN 837-1	A: 1/4" NPT-F	A: No option		A0: Not required
		08: Monel 400							
		09: Hastelloy C276							
		10: Inconel 625							
	B: 10000 psi (4 mm bore) (Available with PTFE gasket only)	11: Inconel 825	B: Graphoil (up to 500°C at 20 bar)	04: 1/2" BSPP-M	03: 1/2" BSPP-F	D: 1/2" NPT-F	C: Degreased for O <sub>2</sub>	01: No accessories	A3: Centerline 50mm
		12: F51 UNS S31803							
		13: F53 UNS S32750							
		14: F55 UNS S32760							
		16: 6Mo UNS S31254							

• Other materials and connections are available on request

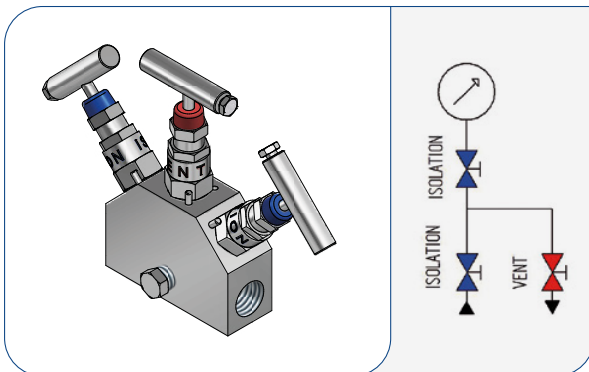
• Example of part number: **5R6 A 01 A 01 54 D A 01 A0**

MANIFOLD SERIE 5R6-RATING 6.000 psi-BODY MATERIAL IN AISI 316/L-PTFE PACKING-INLET 1/2"NPT-F-OUTLET SWIVEL 1/2"BSPP-F-DRAIN 1/2"NPT-F-NO OPTION-NO ACCESSORIES

• Please consult the Accessories section starting from page 97 for available accessories

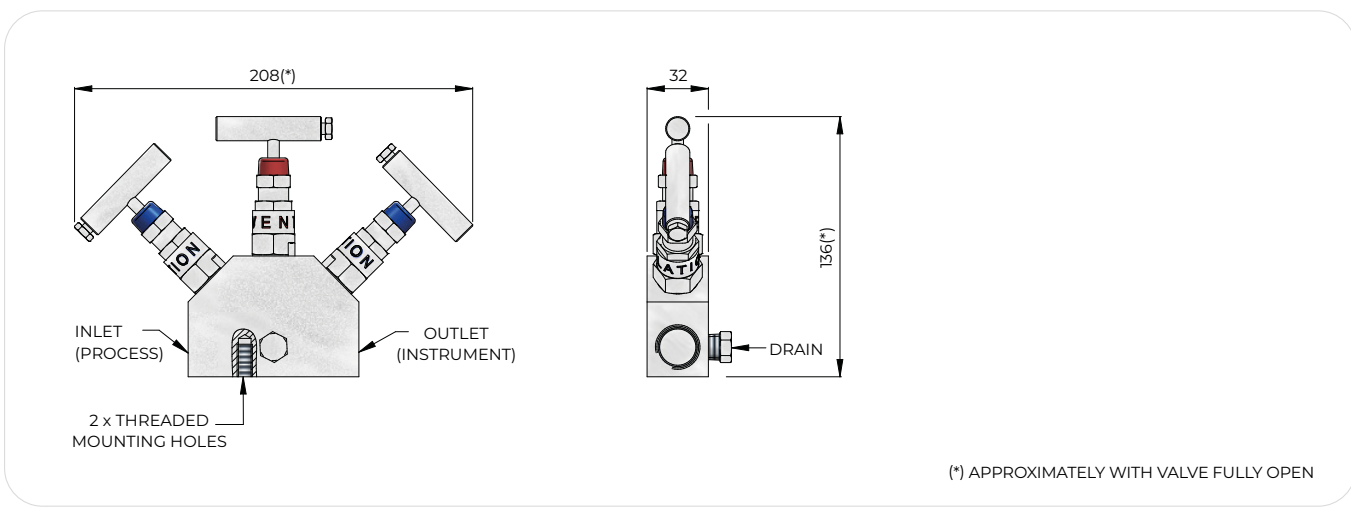


3-VALVES DOUBLE BLOCK & BLEED  
3DBBFF SERIE



**Technical Features:**

- Bar stock body
- Non-Rotating plug tip
- Lock pin to prevent accidental loosening of bonnet
- Dust cap for stem protection
- Colour coded functional identification
- Externally adjustable gland
- Complete with vent/drain plug made in same body material
- PED-ATEX-EAC



**How to order:**

MANIFOLD SERIE	PRESSURE RATING	BODY MATERIAL	PACKING MATERIAL	INLET (PROCESS)	OUTLET (INSTRUMENT)	DRAIN	OPTIONS	ACCESSORIES	SPECIAL EXECUTIONS
3DBBFF	A: 6000 psi (5 mm bore)	01: AISI 316/L	A: PTFE (up to 200°C at 20 bar)	01: 1/2" NPT-F	01: 1/2" NPT-F	A: 1/4" NPT-F	A: No option		
		08: Monel 400							
		09: Hastelloy C276							
		10: Inconel 625							
	B: 10000 psi (4 mm bore) (Available with PTFE gasket only)	11: Inconel 825	B: Graphoil (up to 500°C at 20 bar)	03: 1/2" BSPP-F	03: 1/2" BSPP-F	B: 1/4" BSPP-F	B: NACE MR0103	01: No accessories	AO: Not required
		12: F51 UNS S31803							
		13: F53 UNS S32750							
		14: F55 UNS S32760							
	16: 6Mo UNS S31254					C: Degreased for O <sub>2</sub>			

• Other materials and connections are available on request

• Example of part number: **3DBBFF A 01 A 03 03 B A 01 A0**

MANIFOLD SERIE 3DBBFF-RATING 6.000 psi-BODY MATERIAL IN AISI 316/L-PTFE PACKING-INLET 1/2"BSPP-F-OUTLET 1/2"BSPP-F-DRAIN 1/4"BSPP-F-NO OPTION-NO ACCESSORIES

• Please consult the Accessories section starting from page 97 for available accessories

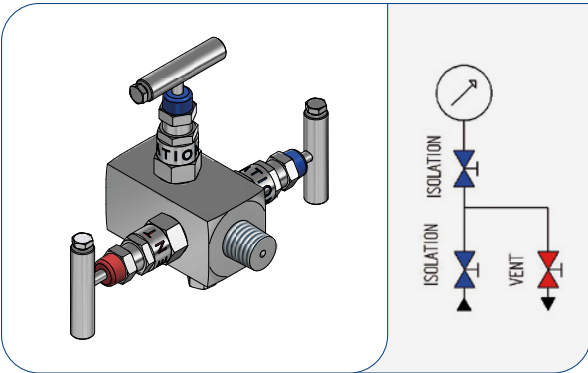
# INSTRUMENT MANIFOLDS

3-VALVES DOUBLE BLOCK & BLEED  
THREADED FEMALE/MALE

bulk

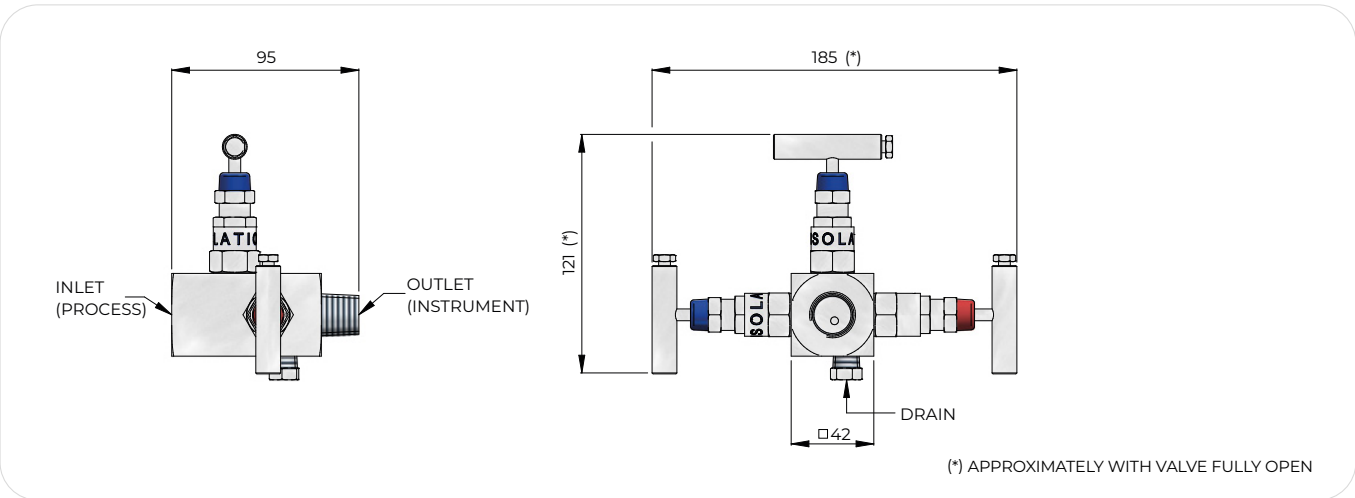


[Back to Index](#)



### Technical Features:

- Bar stock body
- Non-Rotating plug tip
- Lock pin to prevent accidental loosening of bonnet
- Dust cap for stem protection
- Colour coded functional identification
- Externally adjustable gland
- Complete with vent/drain plug made in same body material
- PED-ATEX-EAC



(\* ) APPROXIMATELY WITH VALVE FULLY OPEN

### How to order:

MANIFOLD SERIE	PRESSURE RATING	BODY MATERIAL	PACKING MATERIAL	INLET (PROCESS)	OUTLET (INSTRUMENT)	DRAIN	OPTIONS	ACCESSORIES	SPECIAL EXECUTIONS
3DBBFM	A: 6000 psi (5 mm bore)	01: AISI 316/L	A: PTFE (up to 200°C at 20 bar)	01: 1/2" NPT-F	02: 1/2" NPT-M	A: 1/4" NPT-F	A: No option		A0: Not required
		08: Monel 400							
		09: Hastelloy C276							
		10: Inconel 625							
	B: 10000 psi (4 mm bore) (Available with PTFE gasket only)	11: Inconel 825	B: Graphoil (up to 500°C at 20 bar)	03: 1/2" BSPP-F	04: 1/2" BSPP-M	B: 1/4" BSPP-F	B: NACE MR0103	01: No accessories	
		12: F51 UNS S31803							
		13: F53 UNS S32750							
		14: F55 UNS S32760							
		16: 6Mo UNS S31254				C: Degreased for O <sub>2</sub>			

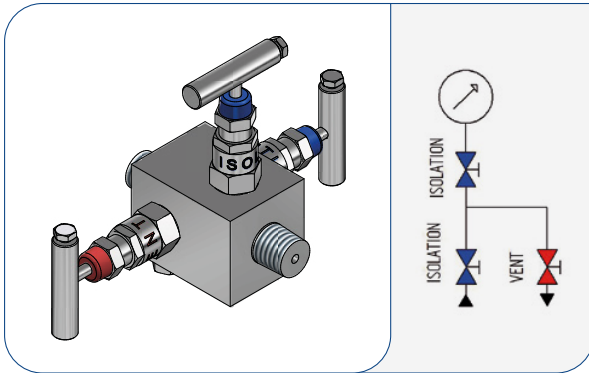
• Other materials and connections are available on request

• Example of part number: **3DBBFM A 01 A 03 04 B A 01 A0**

MANIFOLD SERIE 3DBBFM-RATING 6.000 psi-BODY MATERIAL IN AISI 316/L-PTFE PACKING-INLET 1/2"BSPP-F-OUTLET 1/2"BSPP-M-DRAIN 1/4"BSPP-F-NO OPTION-NO ACCESSORIES

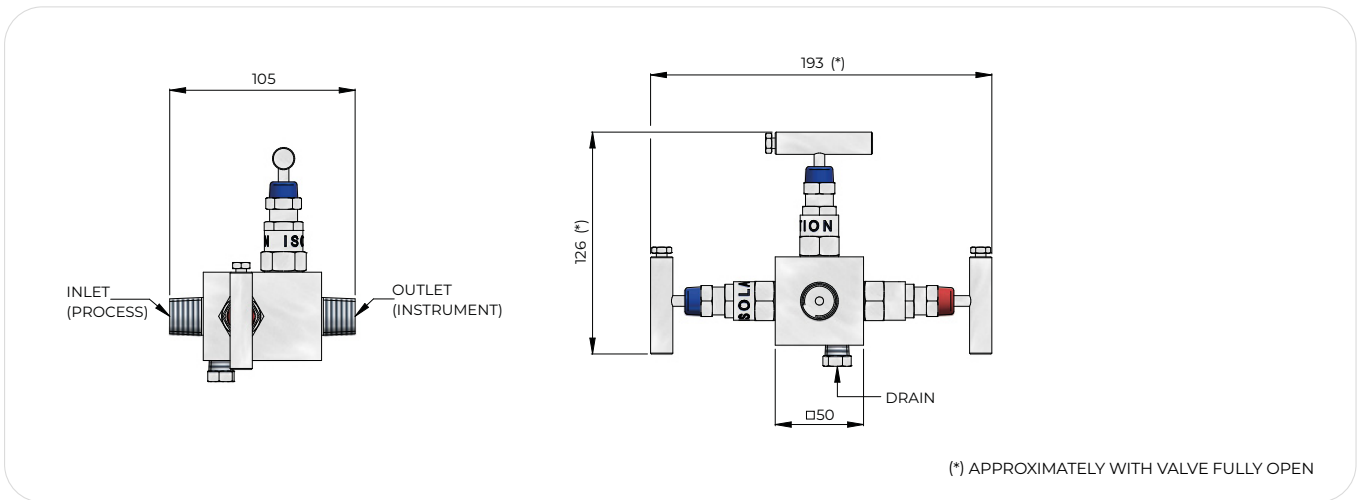
• Please consult the Accessories section starting from page 97 for available accessories

3-VALVES DOUBLE BLOCK & BLEED  
3DBBFM SERIE



### Technical Features:

- Bar stock body
- Non-Rotating plug tip
- Lock pin to prevent accidental loosening of bonnet
- Dust cap for stem protection
- Colour coded functional identification
- Externally adjustable gland
- Complete with vent/drain plug made in same body material
- PED-ATEX-EAC



### How to order:

MANIFOLD SERIE	PRESSURE RATING	BODY MATERIAL	PACKING MATERIAL	INLET (PROCESS)	OUTLET (INSTRUMENT)	DRAIN	OPTIONS	ACCESSORIES	SPECIAL EXECUTIONS
3DBBMM	A: 6000 psi (5 mm bore)	01: AISI 316/L	A: PTFE (up to 200°C at 20 bar)	02: 1/2" NPT-M	02: 1/2" NPT-M	A: 1/4" NPT-F	A: No option		
		08: Monel 400							
		09: Hastelloy C276							
		10: Inconel 625							
		11: Inconel 825							
	B: 10000 psi (4 mm bore) (Available with PTFE gasket only)	12: F51 UNS S31803	B: Graphoil (up to 500°C at 20 bar)	04: 1/2" BSPP-M	04: 1/2" BSPP-M	B: 1/4" BSPP-F	B: NACE MR0103	01: No accessories	AO: Not required
		13: F53 UNS S32750							
		14: F55 UNS S32760							
		16: 6Mo UNS S31254							

• Other materials and connections are available on request

• Example of part number: **3DBBMM A 01 A 04 04 B A 01 A0**

MANIFOLD SERIE 3DBBMM-RATING 6.000 psi-BODY MATERIAL IN AISI 316/L-PTFE PACKING-INLET 1/2"BSPP-M-OUTLET 1/2"BSPP-M-DRAIN 1/4"BSPP-F-NO OPTION-NO ACCESSORIES

• Please consult the Accessories section starting from page 97 for available accessories

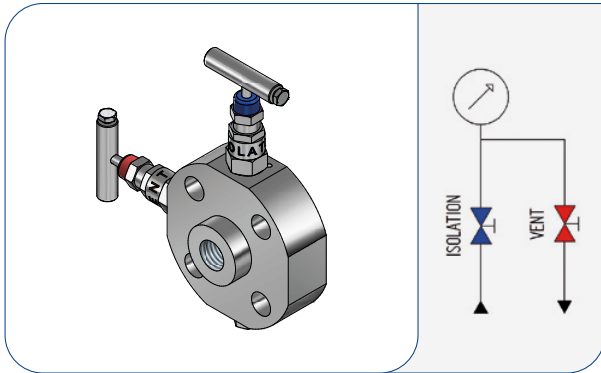
# INSTRUMENT MANIFOLDS

MONOFLANGE SINGLE BLOCK & BLEED

bulk

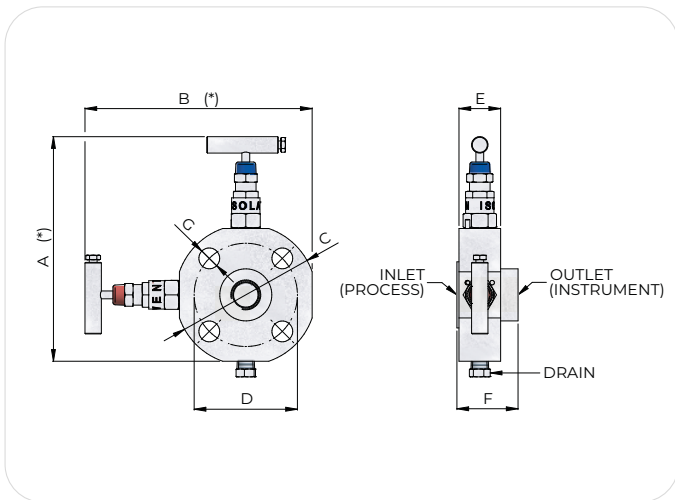


[Back to Index](#)



### Technical Features:

- Bar stock body
- Non-Rotating plug tip
- Lock pin to prevent accidental loosening of bonnet
- Dust cap for stem protection
- Colour coded functional identification
- Externally adjustable gland
- Complete with vent/drain plug made in same body material
- PED-ATEX-EAC



### PRESSURE RATING 6000 PSI

FLANGE SIZE	CLASS	A(*)	B(*)	C	D	E	F	G	N° OF HOLES
1/2"	ANSI 150	150	150	89	60,3	32	47	16	4
1"	ANSI 150	170	170	108	79,4	32	47	16	4
	ANSI 300	190	190	124	88,9	32	47	19	4
	ANSI 900	210	210	149	101,6	32	52	25,4	4
2"	ANSI 150	220	220	152,5	120,6	32	47	19	4
	ANSI 900	280	280	216	165,1	38	58	25,4	8

(\*) APPROXIMATELY WITH VALVE FULLY OPEN

### How to order:

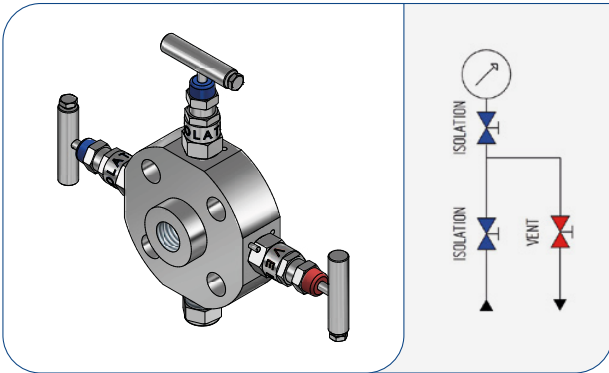
MONOFLANGE SERIE	BODY MATERIAL	PACKING MATERIAL	FLANGE SIZE	CLASS	FLANGE FINISHING	OUTLET (INSTRUMENT)	DRAIN	OPTIONS	ACCESSORIES	SPECIAL EXECUTIONS
MFSB	01: AISI 316/L	A: PTFE (up to 200°C at 20 bar)	B: 3/4"	01: ANSI 150	A: RF	01: 1/2" NPT-F	A: 1/4" NPT-F	A: No option	01: No accessories	A0: Not required
	10: Monel 400		C: 1"	02: ANSI 300						
	11: Hastelloy C276			03: ANSI 600						
	12: Inconel 625			D: 1 1/2"	04: ANSI 900			C: RJ (OVAL RING)		
	13: Inconel 825	B: Graphoil (up to 500°C at 20 bar)	E: 2"	05: ANSI 1500						
	14: F51 UNS S31803		A: 1/2"	06: ANSI 2500	D: FF					
	15: F53 UNS S32750									
	16: F55 UNS S32760									
	18: 6Mo UNS S31254									

• Other materials and connections are available on request

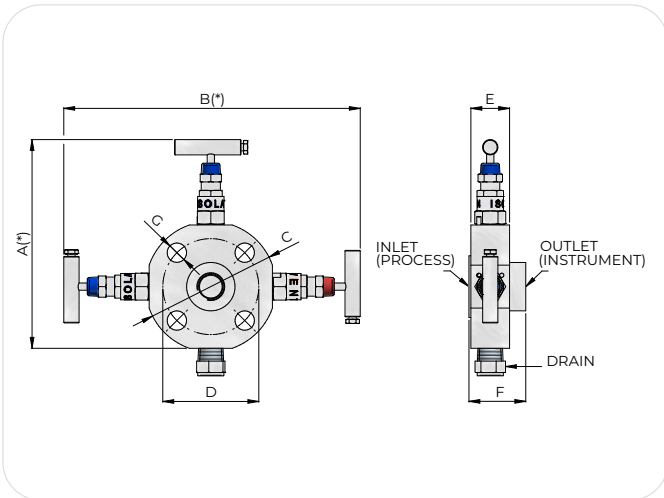
• Example of part number: **MFSB 01 A C 01 D 01 A A 01 A0**

SINGLE BLOCK & BLEED MONOFLANGE VALVE-BODY MATERIAL IN AISI 316/L-PTFE PACKING-FLANGE SIZE 1"-CLASS ANSI 150-FF-OUTLET 1/2"NPT-F-DRAIN 1/4"NPT-F-NO OPTION-NO ACCESSORIES

MONOFLANGE SINGLE BLOCK & BLEED MFSB SERIE


**Technical Features:**

- Bar stock body
- Non-Rotating plug tip
- Lock pin to prevent accidental loosening of bonnet
- Dust cap for stem protection
- Colour coded functional identification
- Externally adjustable gland
- Complete with vent/drain plug made in same body material
- PED-ATEX-EAC


**PRESSURE RATING 6000 PSI**

FLANGE SIZE	CLASS	A(*)	B(*)	C	D	E	F	G	N° OF HOLES
1/2"	ANSI 150	150	220	89	60,3	32	47	16	4
1"	ANSI 150	170	240	108	79,4	32	47	16	4
	ANSI 300	190	260	124	88,9	32	47	19	4
	ANSI 600	190	260	124	88,9	32	47	19	4
2"	ANSI 150	220	290	152,5	120,6	32	47	19	4
	ANSI 900	280	350	216	165,1	38	58	25,4	8

(\*) APPROXIMATELY WITH VALVE FULLY OPEN

**How to order:**

MONOFLANGE SERIE	BODY MATERIAL	PACKING MATERIAL	FLANGE SIZE	CLASS	FLANGE FINISHING	OUTLET (INSTRUMENT)	DRAIN	OPTIONS	ACCESSORIES	SPECIAL EXECUTIONS
MFDB	01: AISI 316/L	A: PTFE (up to 200°C at 20 bar)	B: 3/4"	01: ANSI 150	A: RF	01: 1/2" NPT-F	A: 1/4" NPT-F	A: No option	01: No accessories	AO: Not required
	02: ANSI 300									
	C: 1"		03: ANSI 600	B: RJ (OCTAGONAL RING)						
			04: ANSI 900							
	05: ANSI 1500	C: RJ (OVAL RING)								
	E: 2"		06: ANSI 2500	D: FF	C: NACE MR 0103					
		A: 1/2"	D: Degreased for O <sub>2</sub>							

• Other materials and connections are available on request

 • Example of part number: **MFDB 01 A C 01 D 01 A A 01 A0**

DOUBLE BLOCK &amp; BLEED MONOFLANGE VALVE-BODY MATERIAL IN AISI 316/L-PTFE PACKING-FLANGE SIZE 1"-CLASS ANSI 150-FF-OUTLET 1/2"NPT-F-DRAIN 1/4"NPT-F-NO OPTION-NO ACCESSORIES

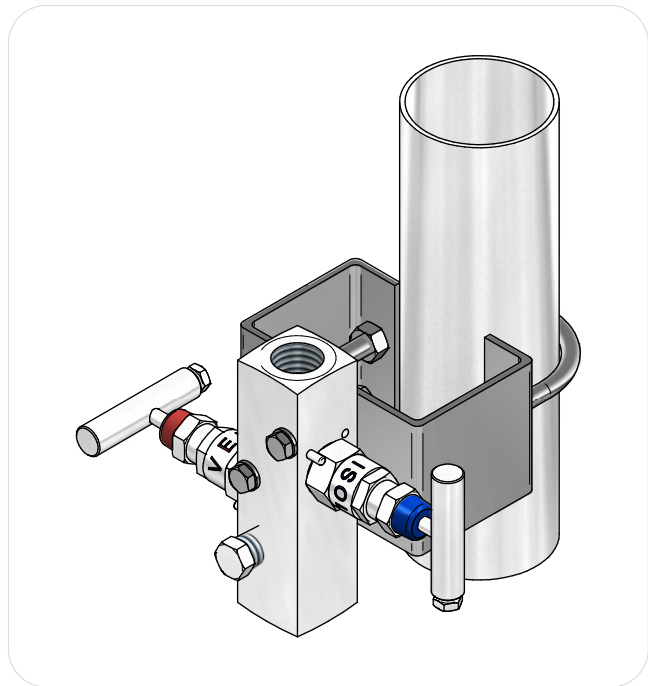
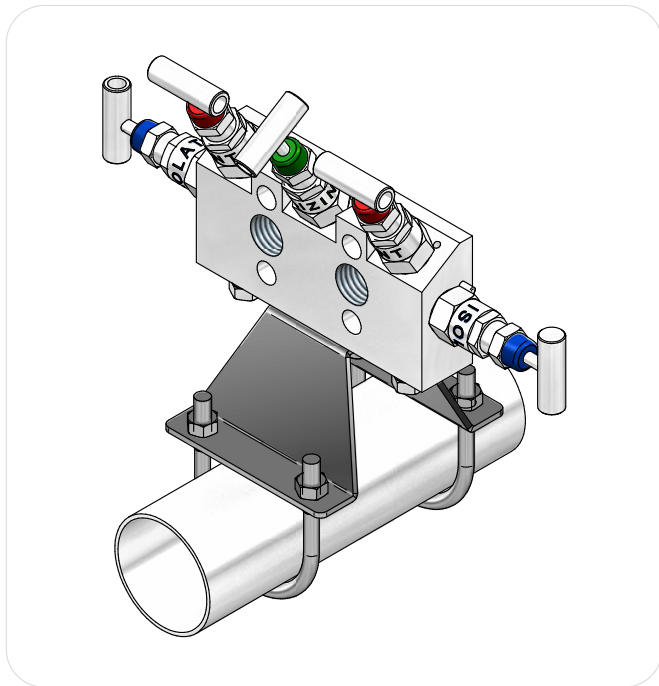
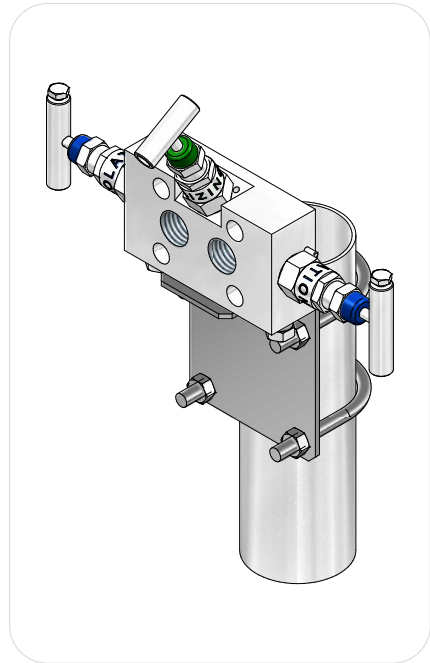
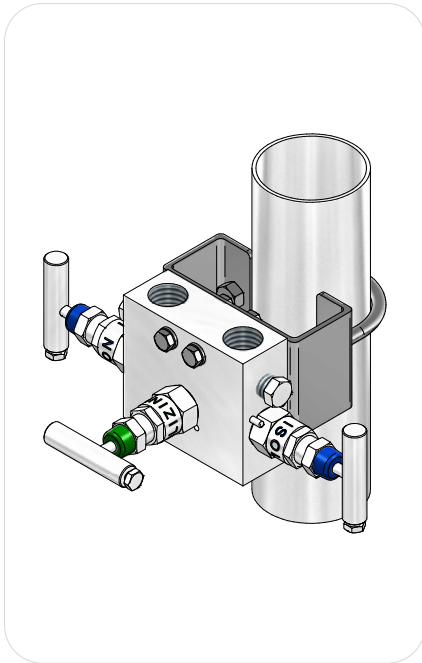
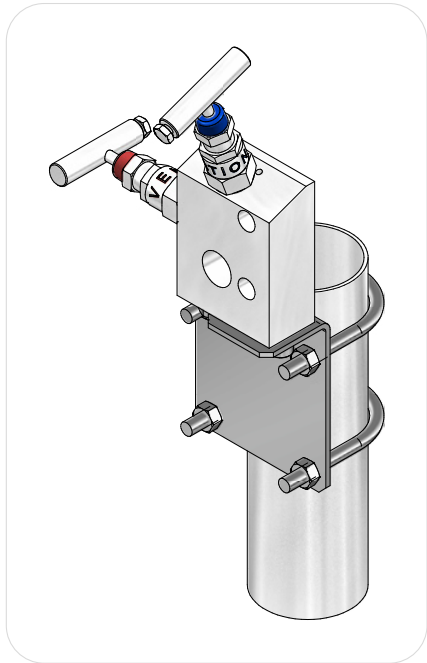
# INSTRUMENT MANIFOLDS

ACCESSORIES:  
MOUNTING BRACKETS

bulk



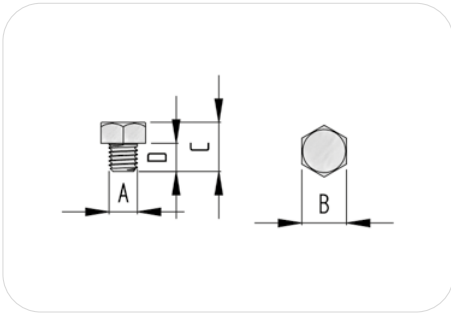
[Back to Index](#)



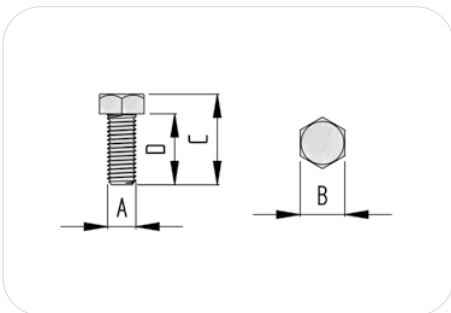
ACCESSORIES  
MOUNTING BRACKETS

## MOUNTING BRACKETS

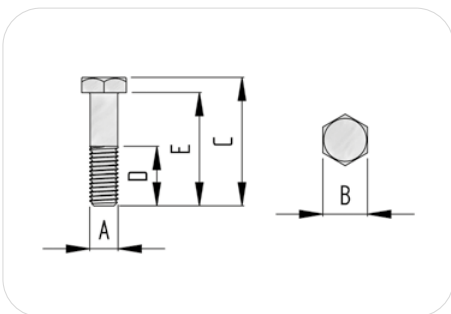
A wide range of mounting brackets is available for manifold installation  
Construction material is AISI 316/L or galvanized carbon steel  
Brackets are supplied complete with U-bolts, screws and nuts



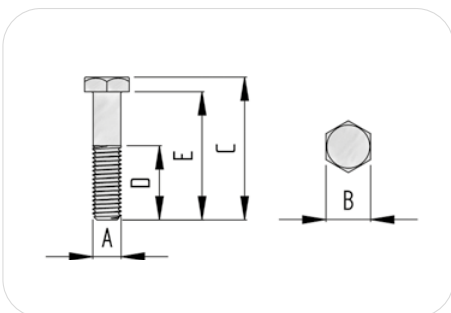
PART NUMBER	MATERIAL	A	B	C	D	E
TIR 7/16-10-316	AISI 316	7/16"UNF	16	18	10	-
TIR 7/16-10-CG	Passivated Carbon Steel	7/16"UNF	16	18	10	-
TIR M10-10-316	AISI 316	M10	16	18	10	-
TIR M10-10-CG	Passivated Carbon Steel	M10	16	18	10	-



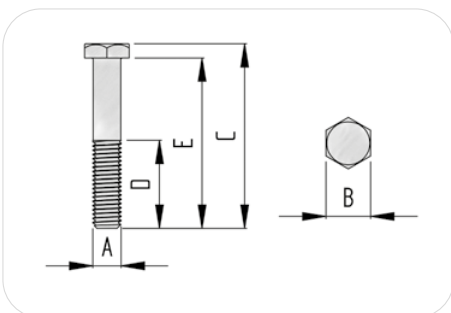
PART NUMBER	MATERIAL	A	B	C	D	E
TIR 7/16-25-316	AISI 316	7/16"UNF	16	32	25	-
TIR 7/16-25-CG	Passivated Carbon Steel	7/16"UNF	16	32	25	-
TIR M10-25-316	AISI 316	M10	16	32	25	-
TIR M10-25-CG	Passivated Carbon Steel	M10	16	32	25	-



PART NUMBER	MATERIAL	A	B	C	D	E
TIR 7/16-40-316	AISI 316	7/16"UNF	16	45	21	40
TIR 7/16-40-CG	Passivated Carbon Steel	7/16"UNF	16	45	21	40
TIR M10-40-316	AISI 316	M10	16	45	21	40
TIR M10-40-CG	Passivated Carbon Steel	M10	16	45	21	40



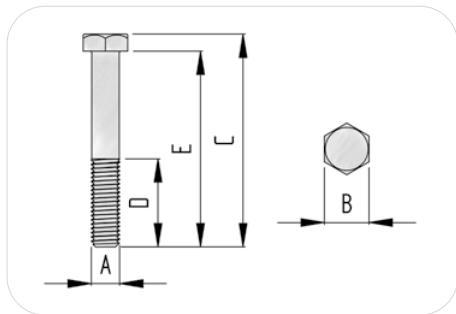
PART NUMBER	MATERIAL	A	B	C	D	E
TIR 7/16-45-316	AISI 316	7/16"UNF	16	50	26	45
TIR 7/16-45-CG	Passivated Carbon Steel	7/16"UNF	16	50	26	45
TIR M10-45-316	AISI 316	M10	16	50	26	45
TIR M10-45-CG	Passivated Carbon Steel	M10	16	50	26	45



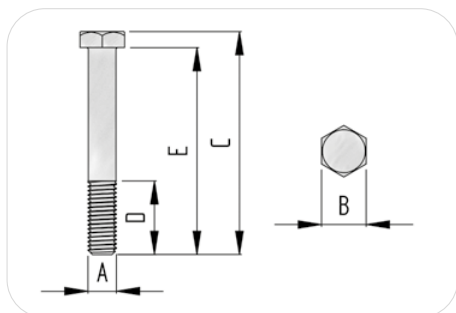
PART NUMBER	MATERIAL	A	B	C	D	E
TIR 7/16-60-316	AISI 316	7/16"UNF	16	65	31	60
TIR 7/16-60-CG	Passivated Carbon Steel	7/16"UNF	16	65	31	60
TIR M10-60-316	AISI 316	M10	16	65	31	60
TIR M10-60-CG	Passivated Carbon Steel	M10	16	65	31	60



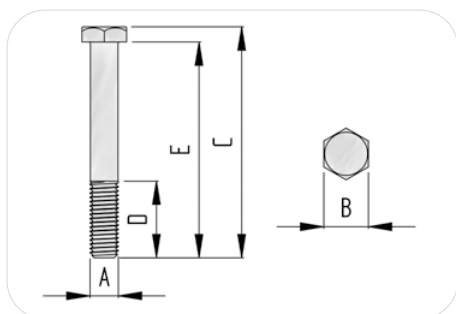
[Back to Index](#)



PART NUMBER	MATERIAL	A	B	C	D	E
TIR 7/16-69-316	AISI 316	7/16"UNF	16	74	31	69
TIR 7/16-69-CG	Passivated Carbon Steel	7/16"UNF	16	74	31	69
TIR M10-69-316	AISI 316	M10	16	74	31	69
TIR M10-69-CG	Passivated Carbon Steel	M10	16	74	31	69



PART NUMBER	MATERIAL	A	B	C	D	E
TIR 7/16-73-316	AISI 316	7/16"UNF	16	79	26	73
TIR 7/16-73-CG	Passivated Carbon Steel	7/16"UNF	16	79	26	73
TIR M10-73-316	AISI 316	M10	16	79	26	73
TIR M10-73-CG	Passivated Carbon Steel	M10	16	79	26	73



PART NUMBER	MATERIAL	A	B	C	D	E
TIR 7/16-76-316	AISI 316	7/16"UNF	16	82	27	76
TIR 7/16-76-CG	Passivated Carbon Steel	7/16"UNF	16	82	27	76
TIR M10-76-316	AISI 316	M10	16	82	27	76
TIR M10-76-CG	Passivated Carbon Steel	M10	16	82	27	76

## BOLTS FOR DIRECT MOUNTING MANIFOLDS

Bolts are available in 7/16" fractional dimension or M10 metric size

Construction material is passivated carbon steel (as standard) or AISI 316/L (on request)

Bolts length could vary from model to model

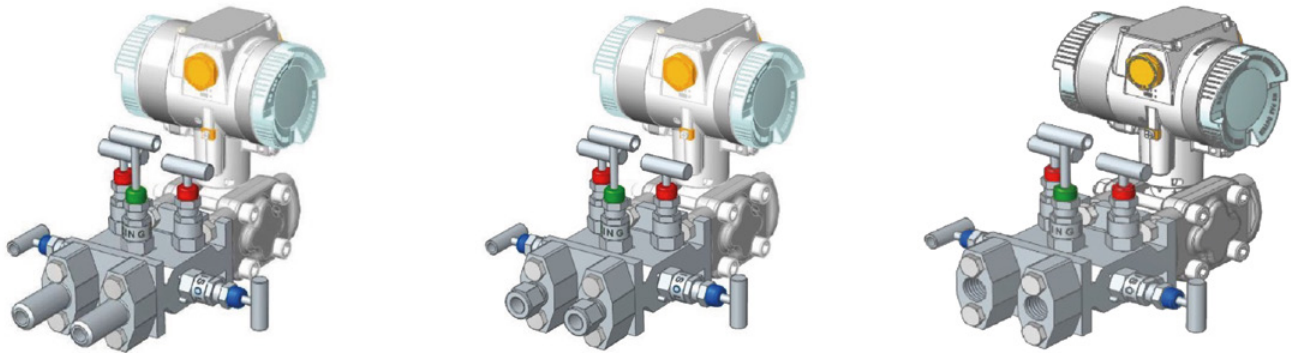
· Other thread sizes, nominal lengths and materials are available on request

· Example of part number: **TIR 7/16 - 45 - 316**

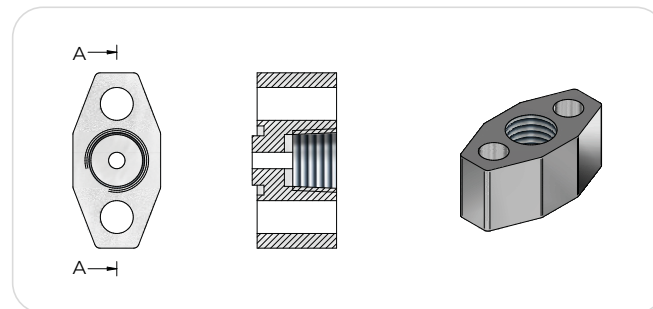
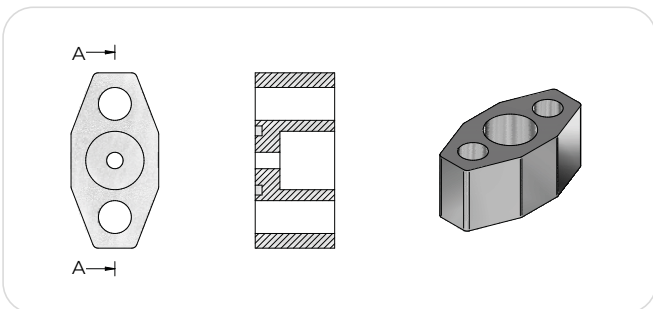
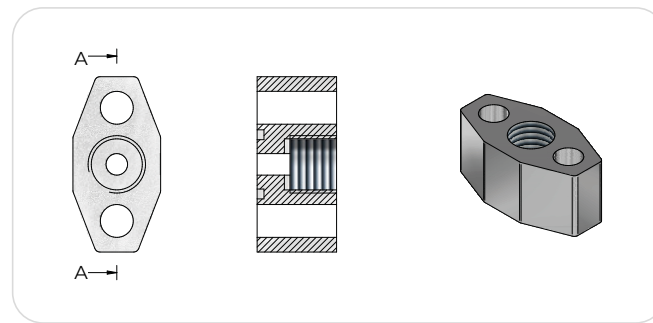
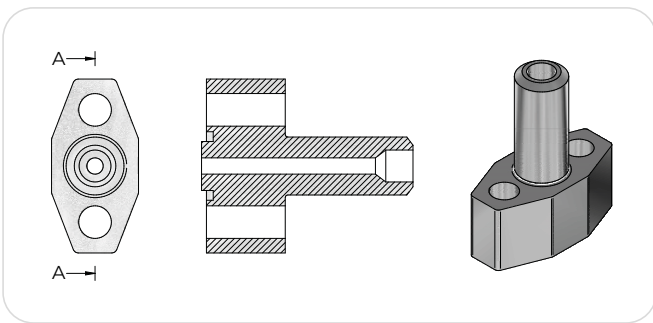
BOLT SERIE TIR-THREAD SIZE 7/16-LENGTH 45 mm-MATERIAL AISI 316

· Please consult manifold section to select suitable product

· All dimensions in mm



ACCESSORIES  
OVAL FLANGES



OVAL FLANGE MODEL	PRESSURE RATING	MATERIAL	INLET	OUTLET	OPTIONS	SPECIAL EXECUTION	
OV	A: 6000 psi	01: AISI 316/L	01: 1/2"NPT-F	01: Flanged	A: No option	A0: Not required	
			02: 1/2"NPT-M				
		02: AISI 316L	03: 1/2"BSPP-F		05: Flanged with spigot		B: NACE MR 0103
			04: 1/2"BSPP-M				
		03: AISI 316	07: 1/2"BW SCH.40/STD	C: Degreased for O <sub>2</sub>			
			08: 1/2"SW				
			09: 1/2"BW SCH.80/XS				
		08: A105	10: 1/2"BW SCH.160				
			11: 1/2"BW SCH.XXS				

Other materials are available on request

OVAL FLANGES

Oval flanges are offered with different process connections: female thread, with compression fittings, butt welding or socket welding  
Oval flanges are supplied complete with bolts and O-ring

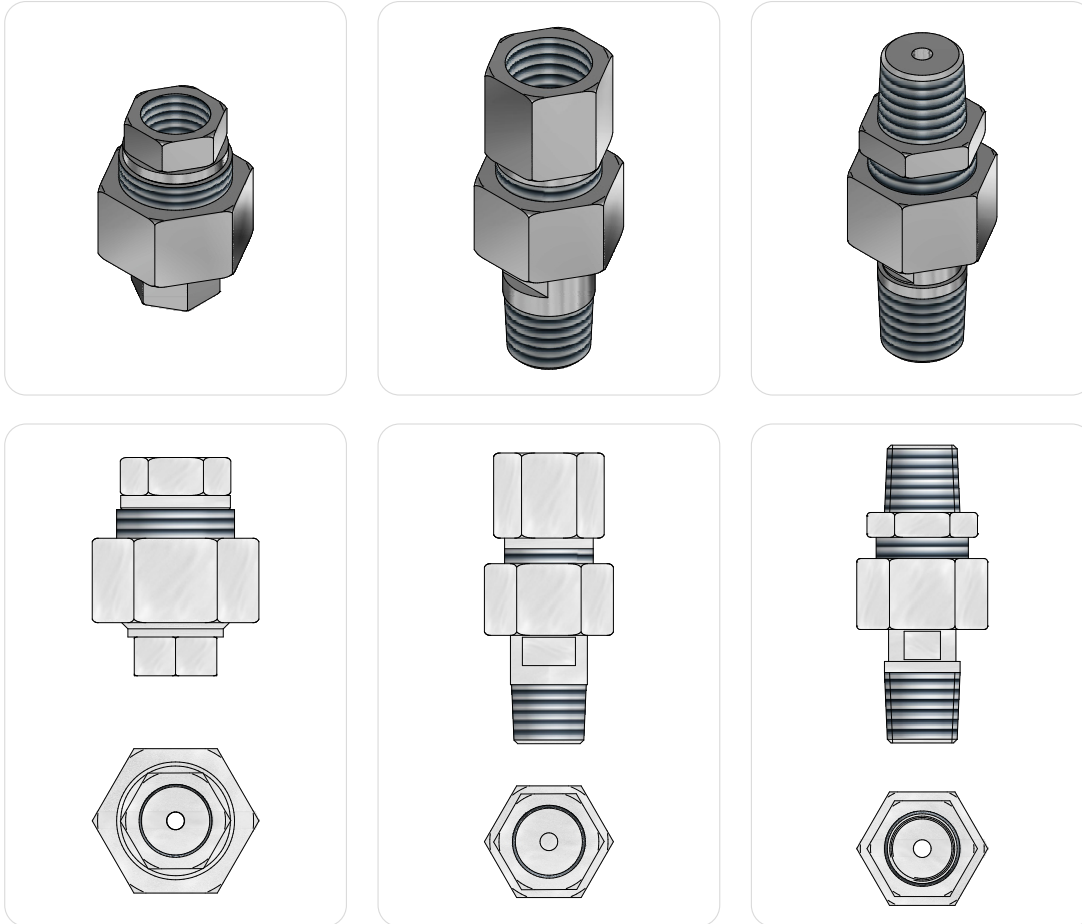
# INSTRUMENT MANIFOLDS

ACCESSORIES:  
3-PIECES SWIVELS

bulk



[Back to Index](#)



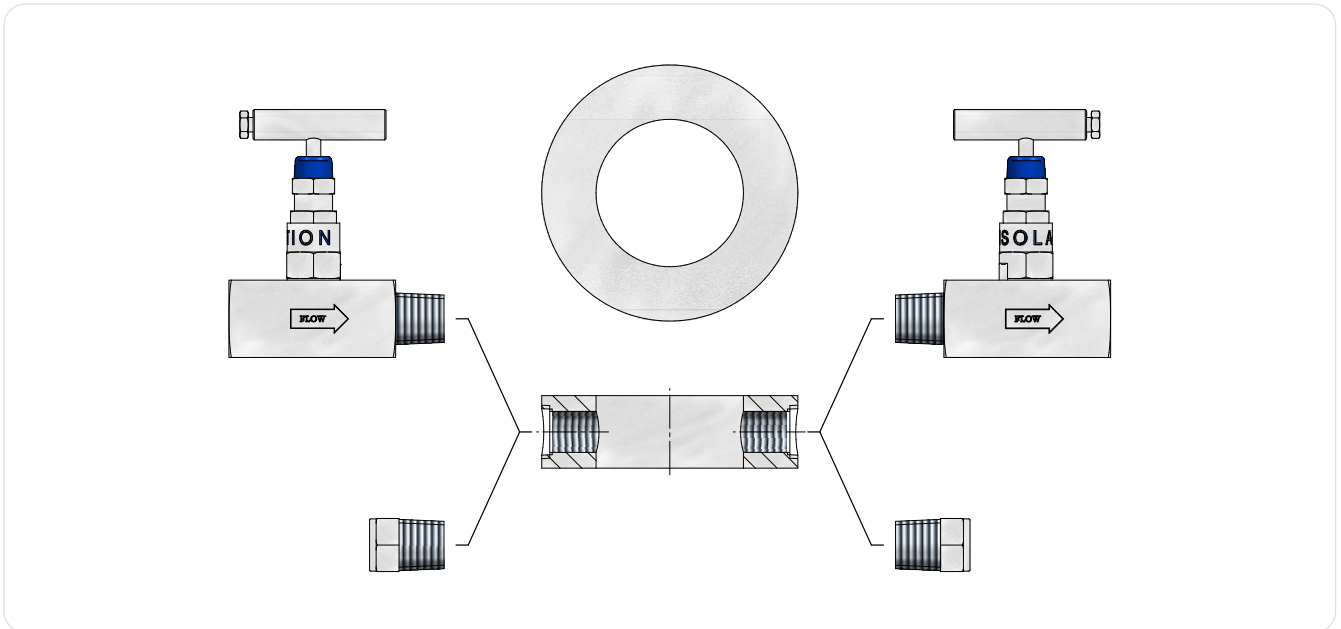
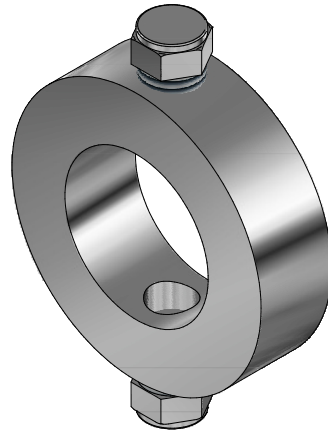
ACCESSORIES  
3-PIECES SWIVELS

## How to order:

MODEL	INLET	OUTLET	PRESSURE RATING	MATERIAL
SGA	01: 1/4" NPT-F	01: 1/4" NPT-F	A: 6000 PSI	01: AISI 316/L
	02: 1/4" NPT-M	02: 1/4" NPT-M		02: Monel 400
	03: 1/4" BSPP-F	03: 1/4" BSPP-F		03: Hastelloy C276
	04: 1/4" BSPP-M	04: 1/4" BSPP-M		04: Inconel 625
				05: Inconel 825
	05: 3/8" NPT-F	05: 3/8" NPT-F		06: F51 UNS S31803
	06: 3/8" NPT-M	06: 3/8" NPT-M		07: F53 UNS S32750
	07: 3/8" BSPP-F	07: 3/8" BSPP-F		08: F55 UNS S32760
	08: 3/8" BSPP-M	08: 3/8" BSPP-M		09: 6Mo UNS S31254
	09: 1/2" NPT-F	09: 1/2" NPT-F		
	10: 1/2" NPT-M	10: 1/2" NPT-M		
	11: 1/2" BSPP-F	11: 1/2" BSPP-F		
	12: 1/2" BSPP-M	12: 1/2" BSPP-M		
	13: 3/4" NPT-F	13: 3/4" NPT-F		
	14: 3/4" NPT-M	14: 3/4" NPT-M		
	15: 3/4" BSPP-F	15: 3/4" BSPP-F		
	16: 3/4" BSPP-M	16: 3/4" BSPP-M		
	17: 1" NPT-F	17: 1" NPT-F		
	18: 1" NPT-M	18: 1" NPT-M		
19: 1" BSPP-F	19: 1" BSPP-F			
20: 1" BSPP-M	20: 1" BSPP-M			
21: M20x1,5-F	21: M20x1,5-F			
22: M20x1,5-M	22: M20x1,5-M			

OTHER CONNECTIONS AND MATERIALS ARE AVAILABLE ON REQUEST

SWIVEL ADAPTERS  
3-piece construction  
Metal to metal seat

**FLUSHING RINGS**


Drip rings are available in a wide range of configurations

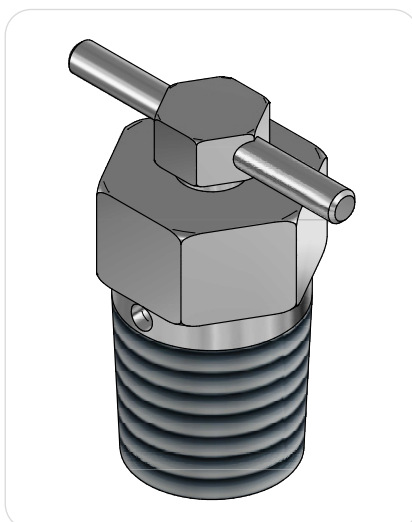
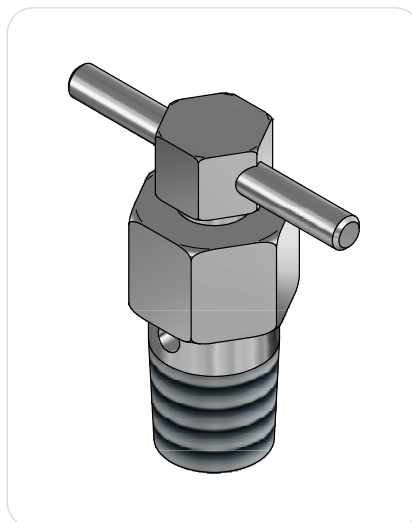
Flange rating from ANSI 150 to ANSI 2500

Face finishing FF, RF, RJ, ...

Radial holes can be supplied complete with needle valves or plugs



 [Back to Index](#)



## BLEED VALVES

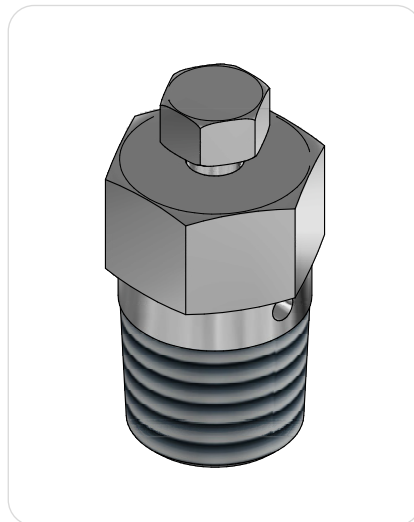
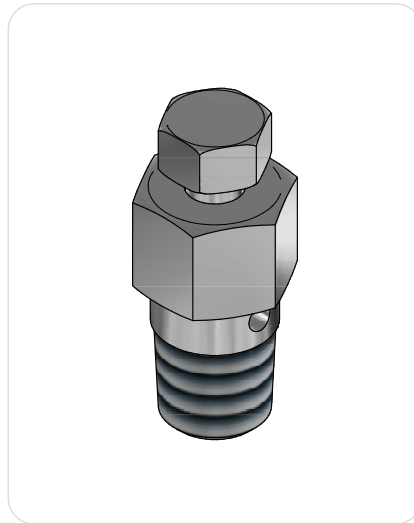
Compact valve complete of handle

Hole drain diameter 1/8"

Standard material AISI 316/L

Standard threads 1/4" NPT-M or 1/2" NPT-M

Other sizes and materials are available on request

**BLEED PLUGS**Hole drain diameter  $\varnothing 3,2$  mm

Standard material AISI 316/L

Standard threads  $\frac{1}{4}$ " NPT-M or  $\frac{1}{2}$ " NPT-M

Other sizes and materials are available on request

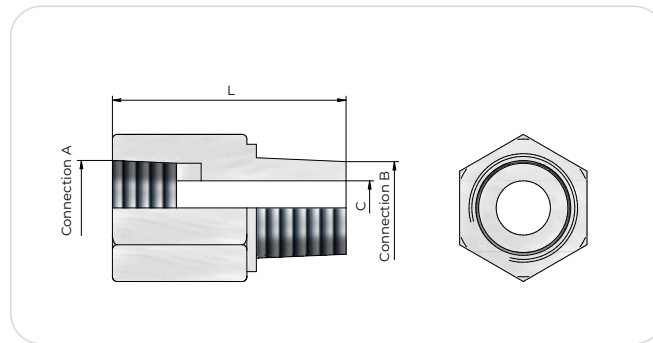
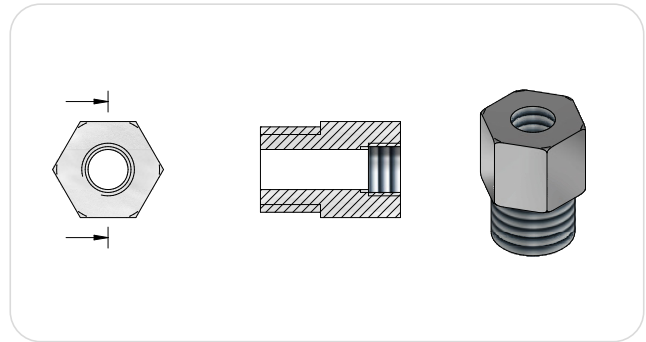
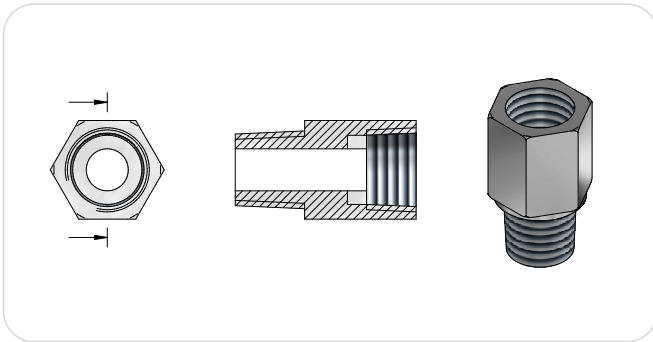
# INSTRUMENT MANIFOLDS

ACCESSORIES:  
ADAPTERS FEMALE/MALE – NPT/BSPP

bulk



[Back to Index](#)

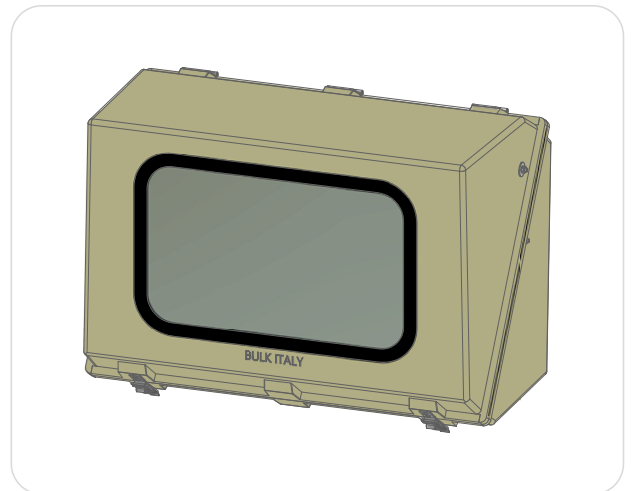
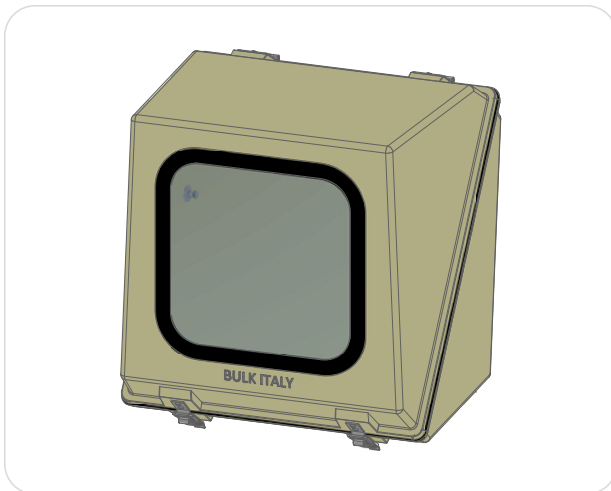
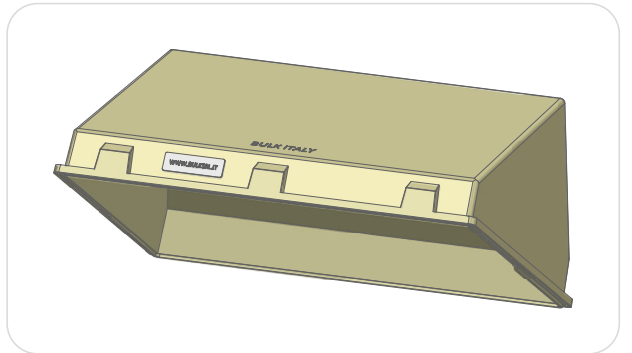
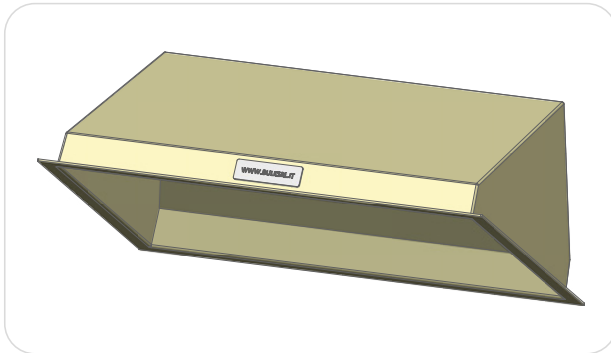
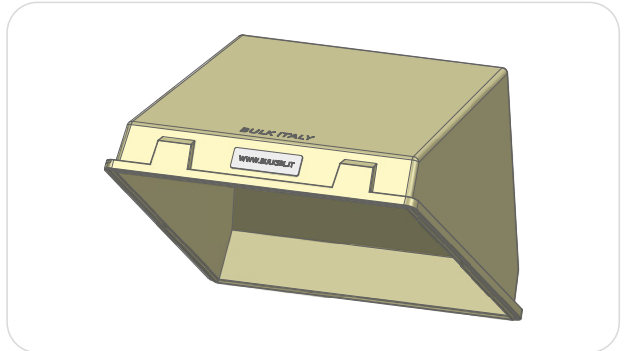
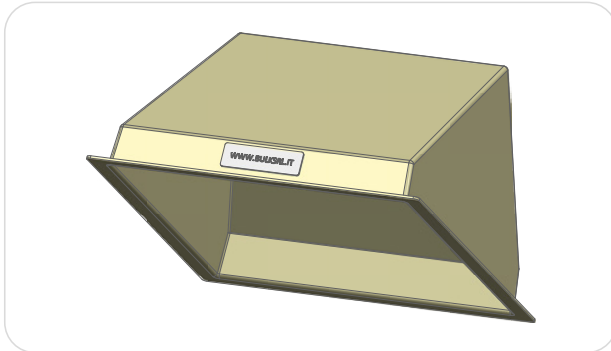
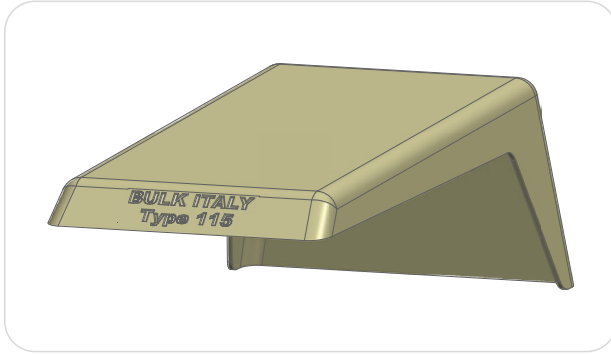


ACCESSORIES  
ADAPTERS FEMALE/MALE – NPT/BSPP

MODEL	CONNECTION A	CONNECTION B	BORE Ø C [mm]	LENGTH [mm]
8-A	1/2" NPT-F	1/2" NPT-M	11,5	50
8-A-K1	1/2" NPT-F	1/2" BSPP-M	10	45
8-A-K2	1/2" BSPP-F	1/2" NPT-M	10	50
8-A-K3	1/2" BSPP-F	1/2" BSPP-M	10	45
8-A-J1	1/2" NPT-F	1/2" BSPT-M	11	50
8-RMF-4	1/4" NPT-F	1/2" NPT-M	10	35

## ADAPTERS FEMALE/MALE – NPT/BSPP

Various adapters are available to properly fit different kinds of connections

**GRP INSTRUMENT ENCLOSURES AND SUNSHADES**

BULK manufactures a complete range of instrument enclosures and sunshades made of GRP

They are suitable for safe or hazardous area

Please consult the relative catalogue

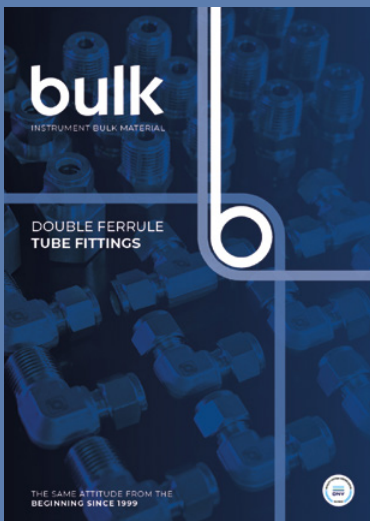




## Our Catalogues

Each catalogue is designed to facilitate consultation and support informed decision. Our goal is to offer not only high-quality products, but also comprehensive and accessible support, meeting the needs of those looking for reliable and high-performance solutions.

### DOUBLE FERRULE TUBE FITTINGS



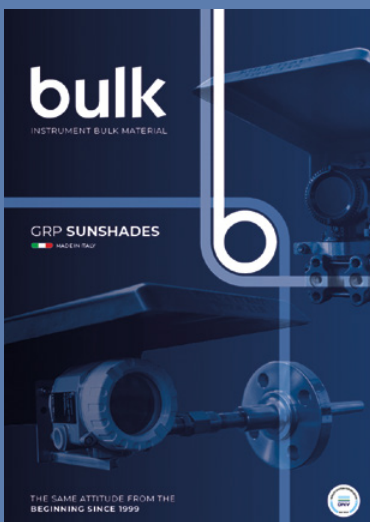
[Click to download >](#)

### GRP ENCLOSURES



[Click to download >](#)

### GRP SUNSHADES



[Click to download >](#)

### INSTRUMENT MANIFOLDS



[Click to download >](#)



**BULK srl**  
**Instrument bulk material**

via Giotto, 7  
20032 Cormano (MI) - Italy  
Ph. +39 02 66 30 75 14  
Ph. +39 02 66 30 74 30  
e-mail: info@bulksrl.it

[www.bulksrl.it](http://www.bulksrl.it)

