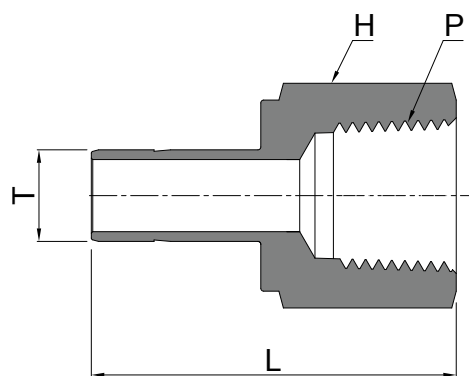


# DOUBLE FERRULE COMPRESSION FITTINGS

FEMALE ADAPTER AF (METRIC TUBING X NPT THREAD)

bulk



AF SERIES

PART No.	TUBE OD, T	P NPT	H (Hex) mm	L mm
	mm			
M-2-2-AF	2	1/8"	14	27.5
M-2-4-AF	2	1/4"	19	32.4
M-3-2-AF	3	1/8"	14	31.8
M-3-4-AF	3	1/4"	19	36.7
M-4-2-AF	4	1/8"	14	31.9
M-4-4-AF	4	1/4"	19	36.6
M-6-2-AF	6	1/8"	14	32.5
M-6-4-AF	6	1/4"	19	37.1
M-6-6-AF	6	3/8"	22	40.7
M-6-8-AF	6	1/2"	27	47.1
M-8-2-AF	8	1/8"	14	34.3
M-8-4-AF	8	1/4"	19	37.6
M-8-6-AF	8	3/8"	22	40.0
M-8-8-AF	8	1/2"	27	46.4
M-10-2-AF	10	1/8"	14	34.4
M-10-4-AF	10	1/4"	19	38.1
M-10-6-AF	10	3/8"	22	40.1
M-10-8-AF	10	1/2"	27	46.5
M-10-12-AF	10	3/4"	35	57.1
M-12-4-AF	12	1/4"	19	43.7
M-12-6-AF	12	3/8"	22	46.0
M-12-8-AF	12	1/2"	27	52.3
M-12-12-AF	12	3/4"	35	55.8
M-12-16-AF	12	1"	41	63.7
M-14-4-AF	14	1/4"	19	44.5
M-14-6-AF	14	3/8"	22	45.6
M-14-8-AF	14	1/2"	27	51.9

PART No.	TUBE OD, T	P NPT	H (Hex) mm	L mm
	mm			
M-14-12-AF	14	3/4"	35	55.1
M-14-16-AF	14	1"	41	59.1
M-15-4-AF	15	1/4"	19	44.5
M-15-6-AF	15	3/8"	22	45.6
M-15-8-AF	15	1/2"	27	51.9
M-15-12-AF	15	3/4"	35	55.1
M-15-16-AF	15	1"	41	59.1
M-16-4-AF	16	1/4"	19	44.5
M-16-6-AF	16	3/8"	22	45.6
M-16-8-AF	16	1/2"	27	52.1
M-16-12-AF	16	3/4"	35	55.1
M-16-16-AF	16	1"	41	59.1
M-18-4-AF	18	1/4"	22	44.6
M-18-6-AF	18	3/8"	22	46.5
M-18-8-AF	18	1/2"	27	53.0
M-18-12-AF	18	3/4"	35	55.1
M-18-16-AF	18	1"	41	58.7
M-20-8-AF	20	1/2"	27	54.2
M-20-12-AF	20	3/4"	35	56.5
M-20-16-AF	20	1"	41	63.8
M-22-8-AF	22	1/2"	27	54.2
M-22-12-AF	22	3/4"	35	56.5
M-22-16-AF	22	1"	41	63.8
M-25-8-AF	25	1/2"	27	54.5
M-25-12-AF	25	3/4"	35	60.7
M-25-16-AF	25	1"	41	64.2

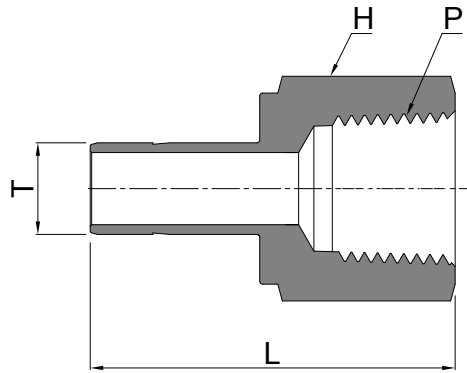
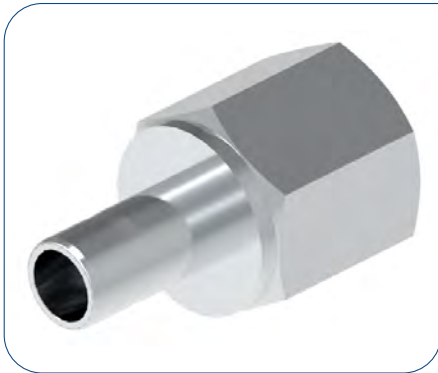


bulk

# DOUBLE FERRULE COMPRESSION FITTINGS

## FEMALE ADAPTER AF (METRIC TUBING X BSPT THREAD)

AF SERIES



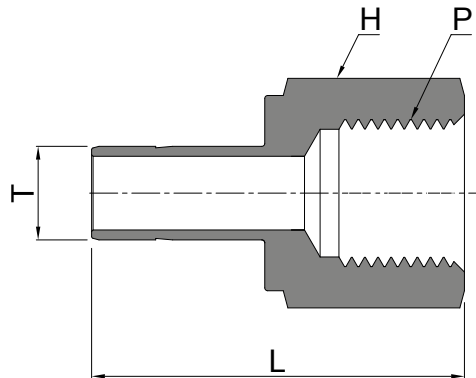
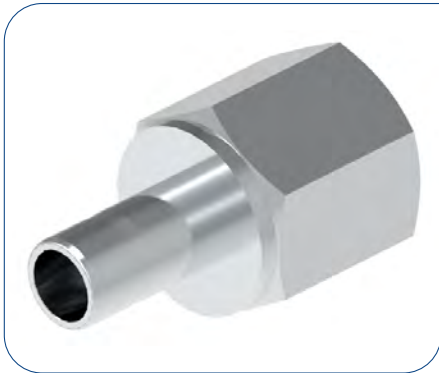
PART No.	TUBE OD, T	P	H (Hex)	L
	mm			
M-2-2-J-AF	2	1/8"	14	27.5
M-2-4-J-AF	2	1/4"	19	32.4
M-3-2-J-AF	3	1/8"	14	31.8
M-3-4-J-AF	3	1/4"	19	36.7
M-4-2-J-AF	4	1/8"	14	31.9
M-4-4-J-AF	4	1/4"	19	36.6
M-6-2-J-AF	6	1/8"	14	32.5
M-6-4-J-AF	6	1/4"	19	37.1
M-6-6-J-AF	6	3/8"	22	40.7
M-6-8-J-AF	6	1/2"	27	47.1
M-8-2-J-AF	8	1/8"	14	34.3
M-8-4-J-AF	8	1/4"	19	37.6
M-8-6-J-AF	8	3/8"	22	40.0
M-8-8-J-AF	8	1/2"	27	46.4
M-10-2-J-AF	10	1/8"	14	34.4
M-10-4-J-AF	10	1/4"	19	38.1
M-10-6-J-AF	10	3/8"	22	40.1
M-10-8-J-AF	10	1/2"	27	46.5
M-10-12-J-AF	10	3/4"	35	57.1
M-12-4-J-AF	12	1/4"	19	43.7
M-12-6-J-AF	12	3/8"	22	46.0
M-12-8-J-AF	12	1/2"	27	52.3
M-12-12-J-AF	12	3/4"	35	55.8
M-12-16-J-AF	12	1"	41	63.7
M-14-4-J-AF	14	1/4"	19	44.5
M-14-6-J-AF	14	3/8"	22	45.6
M-14-8-J-AF	14	1/2"	27	51.9

PART No.	TUBE OD, T	P	H (Hex)	L
	mm			
M-14-12-J-AF	14	3/4"	35	55.1
M-14-16-J-AF	14	1"	41	59.1
M-15-4-J-AF	15	1/4"	19	44.5
M-15-6-J-AF	15	3/8"	22	45.6
M-15-8-J-AF	15	1/2"	27	51.9
M-15-12-J-AF	15	3/4"	35	55.1
M-15-16-J-AF	15	1"	41	59.1
M-16-4-J-AF	16	1/4"	19	44.5
M-16-6-J-AF	16	3/8"	22	45.6
M-16-8-J-AF	16	1/2"	27	52.1
M-16-12-J-AF	16	3/4"	35	55.1
M-16-16-J-AF	16	1"	41	59.1
M-18-4-J-AF	18	1/4"	22	44.6
M-18-6-J-AF	18	3/8"	22	46.5
M-18-8-J-AF	18	1/2"	27	53.0
M-18-12-J-AF	18	3/4"	35	55.1
M-18-16-J-AF	18	1"	41	58.7
M-20-8-J-AF	20	1/2"	27	54.2
M-20-12-J-AF	20	3/4"	35	56.5
M-20-16-J-AF	20	1"	41	63.8
M-22-8-J-AF	22	1/2"	27	54.2
M-22-12-J-AF	22	3/4"	35	56.5
M-22-16-J-AF	22	1"	41	63.8
M-25-8-J-AF	25	1/2"	27	54.5
M-25-12-J-AF	25	3/4"	35	60.7
M-25-16-J-AF	25	1"	41	64.2

# DOUBLE FERRULE COMPRESSION FITTINGS

FEMALE ADAPTER AF (METRIC TUBING X BSPP THREAD)

bulk



AF SERIES

PART No.	TUBE OD, T	P BSPP	H (Hex) mm	L mm
	mm			
M-2-2-K-AF	2	1/8"	14	27.5
M-2-4-K-AF	2	1/4"	19	32.4
M-3-2-K-AF	3	1/8"	14	31.8
M-3-4-K-AF	3	1/4"	19	36.7
M-4-2-K-AF	4	1/8"	14	31.9
M-4-4-K-AF	4	1/4"	19	36.6
M-6-2-K-AF	6	1/8"	14	32.5
M-6-4-K-AF	6	1/4"	19	37.8
M-6-6-K-AF	6	3/8"	22	40.7
M-6-8-K-AF	6	1/2"	27	47.1
M-8-2-K-AF	8	1/8"	14	34.3
M-8-4-K-AF	8	1/4"	19	37.6
M-8-6-K-AF	8	3/8"	22	40.0
M-8-8-K-AF	8	1/2"	27	46.4
M-10-2-K-AF	10	1/8"	14	34.4
M-10-4-K-AF	10	1/4"	19	38.1
M-10-6-K-AF	10	3/8"	22	40.1
M-10-8-K-AF	10	1/2"	27	46.5
M-10-12-K-AF	10	3/4"	35	57.1
M-12-4-K-AF	12	1/4"	19	43.7
M-12-6-K-AF	12	3/8"	22	46.0
M-12-8-K-AF	12	1/2"	27	49.5
M-12-12-K-AF	12	3/4"	35	55.8
M-12-16-K-AF	12	1"	41	63.7
M-14-4-K-AF	14	1/4"	19	44.5
M-14-6-K-AF	14	3/8"	22	45.6
M-14-8-K-AF	14	1/2"	27	51.9

PART No.	TUBE OD, T	P BSPP	H (Hex) mm	L mm
	mm			
M-14-12-K-AF	14	3/4"	35	55.1
M-14-16-K-AF	14	1"	41	59.1
M-15-4-K-AF	15	1/4"	19	44.5
M-15-6-K-AF	15	3/8"	22	45.6
M-15-8-K-AF	15	1/2"	27	51.9
M-15-12-K-AF	15	3/4"	35	55.1
M-15-16-K-AF	15	1"	41	59.1
M-16-4-K-AF	16	1/4"	19	44.5
M-16-6-K-AF	16	3/8"	22	45.6
M-16-8-K-AF	16	1/2"	27	52.1
M-16-12-K-AF	16	3/4"	35	55.1
M-16-16-K-AF	16	1"	41	59.1
M-18-4-K-AF	18	1/4"	22	44.6
M-18-6-K-AF	18	3/8"	22	46.5
M-18-8-K-AF	18	1/2"	27	53.0
M-18-12-K-AF	18	3/4"	35	55.1
M-18-16-K-AF	18	1"	41	58.7
M-20-8-K-AF	20	1/2"	27	54.2
M-20-12-K-AF	20	3/4"	35	56.5
M-20-16-K-AF	20	1"	41	63.8
M-22-8-K-AF	22	1/2"	27	54.2
M-22-12-K-AF	22	3/4"	35	56.5
M-22-16-K-AF	22	1"	41	63.8
M-25-8-K-AF	25	1/2"	27	54.5
M-25-12-K-AF	25	3/4"	35	60.7
M-25-16-K-AF	25	1"	41	64.2

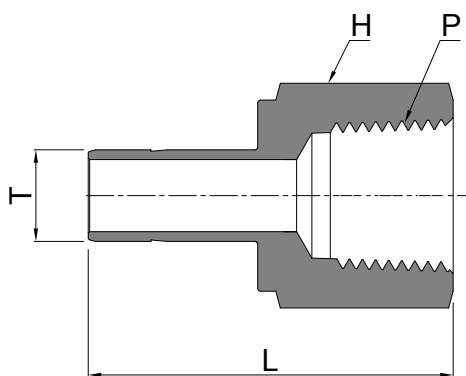


bulk

# DOUBLE FERRULE COMPRESSION FITTINGS

## FEMALE ADAPTER AF (FRACTIONAL TUBING X NPT THREAD)

AF SERIES



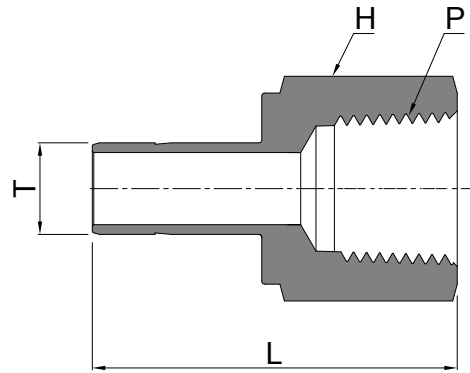
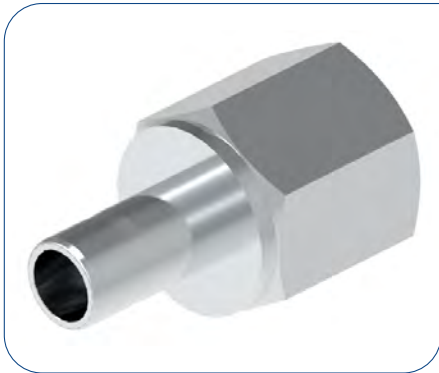
PART No.	TUBE OD, T	P NPT	H (Hex) inch	L mm
	inch			
P-1-1-AF	1/16"	1/16"	7/16"	29.32
P-1-2-AF	1/16"	1/8"	9/16"	31.58
P-1-4-AF	1/16"	1/4"	3/4"	35.30
P-2-1-AF	1/8"	1/16"	7/16"	29.32
P-2-2-AF	1/8"	1/8"	9/16"	31.50
P-2-4-AF	1/8"	1/4"	3/4"	35.30
P-3-2-AF	3/16"	1/8"	9/16"	32.00
P-3-4-AF	3/16"	1/4"	3/4"	35.81
P-3-6-AF	3/16"	3/8"	7/8"	39.38
P-4-1-AF	1/4"	1/16"	7/16"	27.95
P-4-2-AF	1/4"	1/8"	9/16"	33.02
P-4-4-AF	1/4"	1/4"	3/4"	37.10
P-4-6-AF	1/4"	3/8"	7/8"	39.37
P-4-8-AF	1/4"	1/2"	1" 1/16	45.50
P-4-12-AF	1/4"	3/4"	1" 5/16	57.25
P-5-2-AF	5/16"	1/8"	9/16"	34.29
P-5-4-AF	5/16"	1/4"	3/4"	37.59
P-5-6-AF	5/16"	3/8"	7/8"	39.35
P-5-8-AF	5/16"	1/2"	1" 1/16	46.18
P-5-12-AF	5/16"	3/4"	1" 5/16	54.87
P-6-2-AF	3/8"	1/8"	9/16"	34.29

PART No.	TUBE OD, T	P NPT	H (Hex) inch	L mm
	inch			
P-6-4-AF	3/8"	1/4"	3/4"	38.10
P-6-6-AF	3/8"	3/8"	7/8"	40.38
P-6-8-AF	3/8"	1/2"	1" 1/16	46.73
P-6-12-AF	3/8"	3/4"	1" 5/16	57.25
P-8-2-AF	1/2"	1/8"	9/16"	34.65
P-8-4-AF	1/2"	1/4"	3/4"	43.43
P-8-6-AF	1/2"	3/8"	7/8"	45.46
P-8-8-AF	1/2"	1/2"	1" 1/16	51.80
P-8-12-AF	1/2"	3/4"	1" 5/16	54.96
P-8-16-AF	1/2"	1"	1" 5/8	63.57
P-10-6-AF	5/8"	3/8"	7/8"	48.26
P-10-8-AF	5/8"	1/2"	1" 1/16	53.84
P-10-12-AF	5/8"	3/4"	1" 5/16	55.37
P-12-4-AF	3/4"	1/4"	1" 1/16	47.17
P-12-6-AF	3/4"	3/8"	1" 1/16	49.11
P-12-8-AF	3/4"	1/2"	1" 1/16	52.83
P-12-12-AF	3/4"	3/4"	1" 5/16	54.86
P-12-16-AF	3/4"	1"	1" 5/8	58.42
P-16-8-AF	1"	1/2"	1" 3/8	54.56
P-16-12-AF	1"	3/4"	1" 5/16	60.70
P-16-16-AF	1"	1"	1" 5/8	64.26

# DOUBLE FERRULE COMPRESSION FITTINGS

FEMALE ADAPTER AF (FRACTIONAL TUBING X BSPT THREAD)

bulk



AF SERIES

PART No.	TUBE OD, T	P BSPT	H (Hex) inch	L mm
	inch			
P-1-1-J-AF	1/16"	1/16"	7/16"	29.32
P-1-2-J-AF	1/16"	1/8"	9/16"	31.58
P-1-4-J-AF	1/16"	1/4"	3/4"	35.30
P-2-1-J-AF	1/8"	1/16"	7/16"	29.32
P-2-2-J-AF	1/8"	1/8"	9/16"	31.50
P-2-4-J-AF	1/8"	1/4"	3/4"	35.30
P-3-2-J-AF	3/16"	1/8"	9/16"	32.00
P-3-4-J-AF	3/16"	1/4"	3/4"	35.81
P-3-6-J-AF	3/16"	3/8"	7/8"	39.38
P-4-1-J-AF	1/4"	1/16"	7/16"	27.95
P-4-2-J-AF	1/4"	1/8"	9/16"	33.02
P-4-4-J-AF	1/4"	1/4"	3/4"	37.10
P-4-6-J-AF	1/4"	3/8"	7/8"	39.37
P-4-8-J-AF	1/4"	1/2"	1" 1/16	45.50
P-4-12-J-AF	1/4"	3/4"	1" 5/16	57.25
P-5-2-J-AF	5/16"	1/8"	9/16"	34.29
P-5-4-J-AF	5/16"	1/4"	3/4"	37.59
P-5-6-J-AF	5/16"	3/8"	7/8"	39.35
P-5-8-J-AF	5/16"	1/2"	1" 1/16	46.18
P-5-12-J-AF	5/16"	3/4"	1" 5/16	54.87
P-6-2-J-AF	3/8"	1/8"	9/16"	34.29

PART No.	TUBE OD, T	P BSPT	H (Hex) inch	L mm
	inch			
P-6-4-J-AF	3/8"	1/4"	3/4"	38.10
P-6-6-J-AF	3/8"	3/8"	7/8"	40.38
P-6-8-J-AF	3/8"	1/2"	1" 1/16	46.73
P-6-12-J-AF	3/8"	3/4"	1" 5/16	57.25
P-8-2-J-AF	1/2"	1/8"	9/16"	34.65
P-8-4-J-AF	1/2"	1/4"	3/4"	43.43
P-8-6-J-AF	1/2"	3/8"	7/8"	45.46
P-8-8-J-AF	1/2"	1/2"	1" 1/16	51.80
P-8-12-J-AF	1/2"	3/4"	1" 5/16	54.96
P-8-16-J-AF	1/2"	1"	1" 5/8	63.57
P-10-6-J-AF	5/8"	3/8"	7/8"	48.26
P-10-8-J-AF	5/8"	1/2"	1" 1/16	53.84
P-10-12-J-AF	5/8"	3/4"	1" 5/16	55.37
P-12-4-J-AF	3/4"	1/4"	1" 1/16	47.17
P-12-6-J-AF	3/4"	3/8"	1" 1/16	49.11
P-12-8-J-AF	3/4"	1/2"	1" 1/16	52.83
P-12-12-J-AF	3/4"	3/4"	1" 5/16	54.86
P-12-16-J-AF	3/4"	1"	1" 5/8	58.42
P-16-8-J-AF	1"	1/2"	1" 3/8"	54.56
P-16-12-J-AF	1"	3/4"	1" 5/16	60.70
P-16-16-J-AF	1"	1"	1" 5/8	64.26

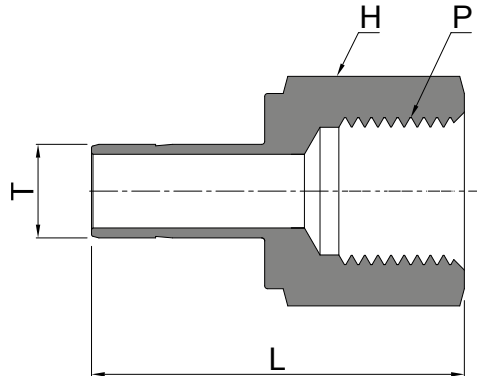
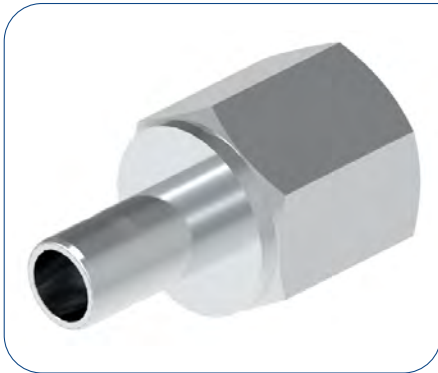


**bulk**

# DOUBLE FERRULE COMPRESSION FITTINGS

FEMALE ADAPTER AF (FRACTIONAL TUBING X BSPP THREAD)

AF SERIES



PART No.	TUBE OD, T	P	H (Hex)	L
	inch			
P-1-1-K-AF	1/16"	1/16"	7/16"	29.32
P-1-2-K-AF	1/16"	1/8"	9/16"	31.58
P-1-4-K-AF	1/16"	1/4"	3/4"	35.30
P-2-1-K-AF	1/8"	1/16"	7/16"	29.32
P-2-2-K-AF	1/8"	1/8"	9/16"	31.50
P-2-4-K-AF	1/8"	1/4"	3/4"	35.30
P-3-2-K-AF	3/16"	1/8"	9/16"	32.00
P-3-4-K-AF	3/16"	1/4"	3/4"	35.81
P-3-6-K-AF	3/16"	3/8"	7/8"	39.38
P-4-1-K-AF	1/4"	1/16"	9/16"	27.95
P-4-2-K-AF	1/4"	1/8"	9/16"	31.75
P-4-4-K-AF	1/4"	1/4"	3/4"	38.10
P-4-6-K-AF	1/4"	3/8"	7/8"	39.37
P-4-8-K-AF	1/4"	1/2"	1" 1/16	45.50
P-4-12-K-AF	1/4"	3/4"	1" 5/16	57.25
P-5-2-K-AF	5/16"	1/8"	9/16"	34.29
P-5-4-K-AF	5/16"	1/4"	3/4"	37.59
P-5-6-K-AF	5/16"	3/8"	7/8"	39.35
P-5-8-K-AF	5/16"	1/2"	1" 1/16	46.18
P-5-12-K-AF	5/16"	3/4"	1" 5/16	54.87
P-6-2-K-AF	3/8"	1/8"	5/8"	34.29

PART No.	TUBE OD, T	P	H (Hex)	L
	inch			
P-6-4-K-AF	3/8"	1/4"	3/4"	39.40
P-6-6-K-AF	3/8"	3/8"	7/8"	40.38
P-6-8-K-AF	3/8"	1/2"	1" 1/16	46.73
P-6-12-K-AF	3/8"	3/4"	1" 5/16	57.25
P-8-2-K-AF	1/2"	1/8"	13/16"	34.65
P-8-4-K-AF	1/2"	1/4"	13/16"	43.43
P-8-6-K-AF	1/2"	3/8"	7/8"	45.46
P-8-8-K-AF	1/2"	1/2"	1" 1/16	51.80
P-8-12-K-AF	1/2"	3/4"	1" 5/16	54.96
P-8-16-K-AF	1/2"	1"	1" 5/8	63.57
P-10-6-K-AF	5/8"	3/8"	15/16"	48.26
P-10-8-K-AF	5/8"	1/2"	1" 1/16	53.84
P-10-12-K-AF	5/8"	3/4"	1" 5/16	55.37
P-12-4-K-AF	3/4"	1/4"	1" 1/16	47.17
P-12-6-K-AF	3/4"	3/8"	1" 1/16	49.11
P-12-8-K-AF	3/4"	1/2"	1" 1/16	52.83
P-12-12-K-AF	3/4"	3/4"	1" 5/16	54.86
P-12-16-K-AF	3/4"	1"	1" 5/8	58.42
P-16-8-K-AF	1"	1/2"	1" 3/8	54.56
P-16-12-K-AF	1"	3/4"	1" 3/8	60.70
P-16-16-K-AF	1"	1"	1" 5/8	64.26