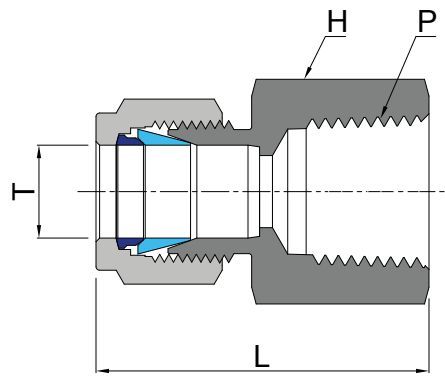
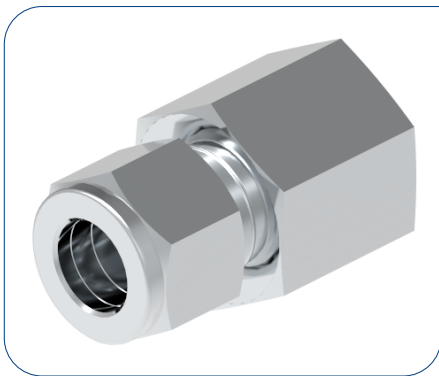


# DOUBLE FERRULE COMPRESSION FITTINGS

FEMALE CONNECTOR DF (METRIC TUBING X NPT THREAD)

bulk



DF SERIES

PART No.	TUBE OD, T	P	H (Hex)	L
	mm			
M-2-2-DF	2	1/8"	14	24.4
M-2-4-DF	2	1/4"	19	29.2
M-3-2-DF	3	1/8"	14	28.7
M-3-4-DF	3	1/4"	19	33.5
M-4-2-DF	4	1/8"	14	29.7
M-4-4-DF	4	1/4"	19	34.3
M-6-2-DF	6	1/8"	14	31.3
M-6-4-DF	6	1/4"	19	35.8
M-6-6-DF	6	3/8"	22	36.9
M-6-8-DF	6	1/2"	27	42.5
M-8-2-DF	8	1/8"	15	32.1
M-8-4-DF	8	1/4"	19	37.0
M-8-6-DF	8	3/8"	22	37.7
M-8-8-DF	8	1/2"	27	43.3
M-10-2-DF	10	1/8"	18	33.0
M-10-4-DF	10	1/4"	19	37.8
M-10-6-DF	10	3/8"	22	38.6
M-10-8-DF	10	1/2"	27	44.2
M-10-12-DF	10	3/4"	35	47.8
M-12-4-DF	12	1/4"	19	40.3
M-12-6-DF	12	3/8"	22	41.1
M-12-8-DF	12	1/2"	27	46.7
M-12-12-DF	12	3/4"	35	49.0
M-12-16-DF	12	1"	41	57.8
M-14-4-DF	14	1/4"	24	41.3
M-14-6-DF	14	3/8"	24	41.9
M-14-8-DF	14	1/2"	27	46.7

PART No.	TUBE OD, T	P	H (Hex)	L
	mm			
M-14-12-DF	14	3/4"	35	48.3
M-14-16-DF	14	1"	41	53.2
M-15-4-DF	15	1/4"	24	41.3
M-15-6-DF	15	3/8"	24	41.9
M-15-8-DF	15	1/2"	27	46.7
M-15-12-DF	15	3/4"	35	48.3
M-15-16-DF	15	1"	41	53.2
M-16-4-DF	16	1/4"	24	41.3
M-16-6-DF	16	3/8"	24	41.9
M-16-8-DF	16	1/2"	27	46.9
M-16-12-DF	16	3/4"	35	48.3
M-16-16-DF	16	1"	41	53.2
M-18-4-DF	18	1/4"	27	41.4
M-18-6-DF	18	3/8"	27	42.8
M-18-8-DF	18	1/2"	27	46.7
M-18-12-DF	18	3/4"	35	48.3
M-18-16-DF	18	1"	41	52.8
M-20-8-DF	20	1/2"	30	47.9
M-20-12-DF	20	3/4"	35	49.7
M-20-16-DF	20	1"	41	57.9
M-22-8-DF	22	1/2"	30	47.9
M-22-12-DF	22	3/4"	35	49.7
M-22-16-DF	22	1"	41	57.9
M-25-8-DF	25	1/2"	35	52.8
M-25-12-DF	25	3/4"	35	53.4
M-25-16-DF	25	1"	41	62.3

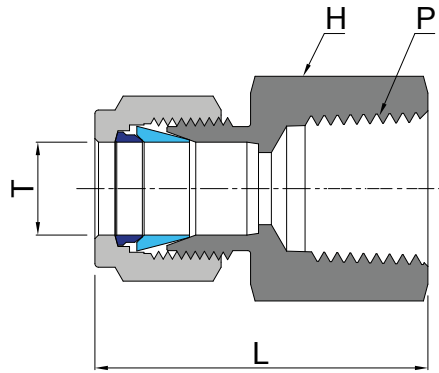
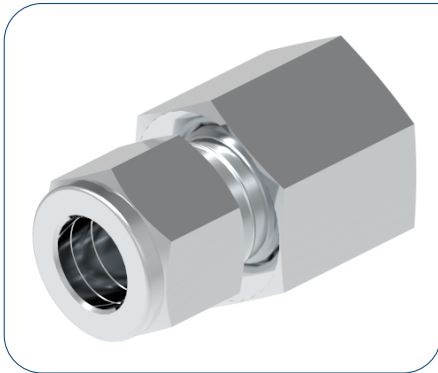


bulk

# DOUBLE FERRULE COMPRESSION FITTINGS

## FEMALE CONNECTOR DF (METRIC TUBING X BSPT THREAD)

DF SERIES



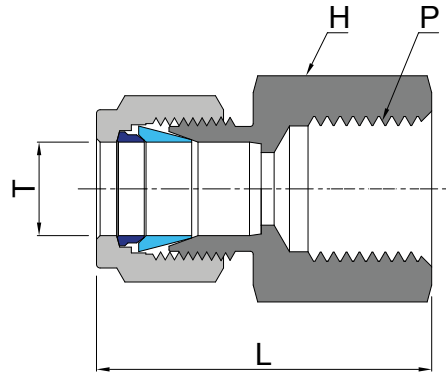
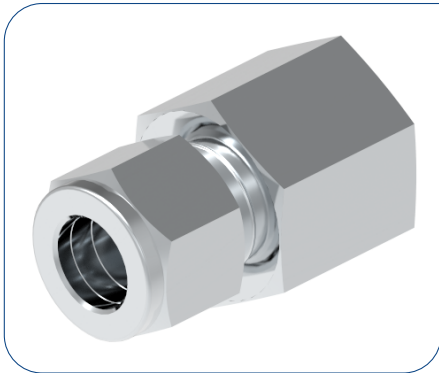
PART No.	TUBE OD, T	P BSPT	H (Hex) mm	L mm
	mm			
M-2-2-J-DF	2	1/8"	14	24.4
M-2-4-J-DF	2	1/4"	19	29.2
M-3-2-J-DF	3	1/8"	14	28.7
M-3-4-J-DF	3	1/4"	19	33.5
M-4-2-J-DF	4	1/8"	14	29.7
M-4-4-J-DF	4	1/4"	19	34.3
M-6-2-J-DF	6	1/8"	14	31.3
M-6-4-J-DF	6	1/4"	19	35.8
M-6-6-J-DF	6	3/8"	22	36.9
M-6-8-J-DF	6	1/2"	27	42.5
M-8-2-J-DF	8	1/8"	15	32.1
M-8-4-J-DF	8	1/4"	19	37.0
M-8-6-J-DF	8	3/8"	22	37.7
M-8-8-J-DF	8	1/2"	27	43.3
M-10-2-J-DF	10	1/8"	18	33.0
M-10-4-J-DF	10	1/4"	19	37.8
M-10-6-J-DF	10	3/8"	22	38.6
M-10-8-J-DF	10	1/2"	27	44.2
M-10-12-J-DF	10	3/4"	35	47.8
M-12-4-J-DF	12	1/4"	19	40.3
M-12-6-J-DF	12	3/8"	22	41.1
M-12-8-J-DF	12	1/2"	27	46.7
M-12-12-J-DF	12	3/4"	35	49.0
M-12-16-J-DF	12	1"	41	57.8
M-14-4-J-DF	14	1/4"	24	41.3
M-14-6-J-DF	14	3/8"	24	41.9
M-14-8-J-DF	14	1/2"	27	46.7

PART No.	TUBE OD, T	P BSPT	H (Hex) mm	L mm
	mm			
M-14-12-J-DF	14	3/4"	35	48.3
M-14-16-J-DF	14	1"	41	53.2
M-15-4-J-DF	15	1/4"	24	41.3
M-15-6-J-DF	15	3/8"	24	41.9
M-15-8-J-DF	15	1/2"	27	46.7
M-15-12-J-DF	15	3/4"	35	48.3
M-15-16-J-DF	15	1"	41	53.2
M-16-4-J-DF	16	1/4"	24	41.3
M-16-6-J-DF	16	3/8"	24	41.9
M-16-8-J-DF	16	1/2"	27	46.9
M-16-12-J-DF	16	3/4"	35	48.3
M-16-16-J-DF	16	1"	41	53.2
M-18-4-J-DF	18	1/4"	27	41.4
M-18-6-J-DF	18	3/8"	27	42.8
M-18-8-J-DF	18	1/2"	27	46.7
M-18-12-J-DF	18	3/4"	35	48.3
M-18-16-J-DF	18	1"	41	52.8
M-20-8-J-DF	20	1/2"	30	47.9
M-20-12-J-DF	20	3/4"	35	49.7
M-20-16-J-DF	20	1"	41	57.9
M-22-8-J-DF	22	1/2"	30	47.9
M-22-12-J-DF	22	3/4"	35	49.7
M-22-16-J-DF	22	1"	41	57.9
M-25-8-J-DF	25	1/2"	35	52.8
M-25-12-J-DF	25	3/4"	35	53.4
M-25-16-J-DF	25	1"	41	62.3

# DOUBLE FERRULE COMPRESSION FITTINGS

FEMALE CONNECTOR DF (METRIC TUBING X BSPP THREAD)

bulk



DF SERIES

PART No.	TUBE OD, T	P BSPP	H (Hex) mm	L mm
	mm			
M-2-2-K-DF	2	1/8"	14	24.4
M-2-4-K-DF	2	1/4"	19	29.2
M-3-2-K-DF	3	1/8"	14	28.7
M-3-4-K-DF	3	1/4"	19	33.5
M-4-2-K-DF	4	1/8"	14	29.7
M-4-4-K-DF	4	1/4"	19	34.3
M-6-2-K-DF	6	1/8"	14	31.3
M-6-4-K-DF	6	1/4"	19	35.8
M-6-6-K-DF	6	3/8"	22	36.9
M-6-8-K-DF	6	1/2"	27	42.5
M-8-2-K-DF	8	1/8"	15	32.1
M-8-4-K-DF	8	1/4"	19	37.0
M-8-6-K-DF	8	3/8"	22	37.7
M-8-8-K-DF	8	1/2"	27	43.3
M-10-2-K-DF	10	1/8"	18	33.0
M-10-4-K-DF	10	1/4"	19	37.8
M-10-6-K-DF	10	3/8"	22	38.6
M-10-8-K-DF	10	1/2"	27	44.2
M-10-12-K-DF	10	3/4"	35	47.8
M-12-4-K-DF	12	1/4"	19	40.3
M-12-6-K-DF	12	3/8"	22	41.1
M-12-8-K-DF	12	1/2"	27	46.7
M-12-12-K-DF	12	3/4"	35	49.0
M-12-16-K-DF	12	1"	41	57.8
M-14-4-K-DF	14	1/4"	24	41.3
M-14-6-K-DF	14	3/8"	24	41.9
M-14-8-K-DF	14	1/2"	27	46.7

PART No.	TUBE OD, T	P BSPP	H (Hex) mm	L mm
	mm			
M-14-12-K-DF	14	3/4"	35	48.3
M-14-16-K-DF	14	1"	41	53.2
M-15-4-K-DF	15	1/4"	24	41.3
M-15-6-K-DF	15	3/8"	24	41.9
M-15-8-K-DF	15	1/2"	27	46.7
M-15-12-K-DF	15	3/4"	35	48.3
M-15-16-K-DF	15	1"	41	53.2
M-16-4-K-DF	16	1/4"	24	41.3
M-16-6-K-DF	16	3/8"	24	41.9
M-16-8-K-DF	16	1/2"	27	46.9
M-16-12-K-DF	16	3/4"	35	48.3
M-16-16-K-DF	16	1"	41	53.2
M-18-4-K-DF	18	1/4"	27	41.4
M-18-6-K-DF	18	3/8"	27	42.8
M-18-8-K-DF	18	1/2"	27	46.7
M-18-12-K-DF	18	3/4"	35	48.3
M-18-16-K-DF	18	1"	41	52.8
M-20-8-K-DF	20	1/2"	30	47.9
M-20-12-K-DF	20	3/4"	35	49.7
M-20-16-K-DF	20	1"	41	57.9
M-22-8-K-DF	22	1/2"	30	47.9
M-22-12-K-DF	22	3/4"	35	49.7
M-22-16-K-DF	22	1"	41	57.9
M-25-8-K-DF	25	1/2"	35	52.8
M-25-12-K-DF	25	3/4"	35	53.4
M-25-16-K-DF	25	1"	41	62.3

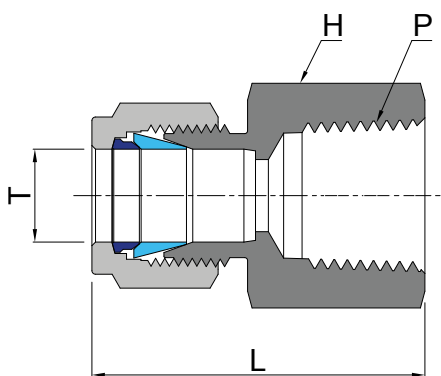
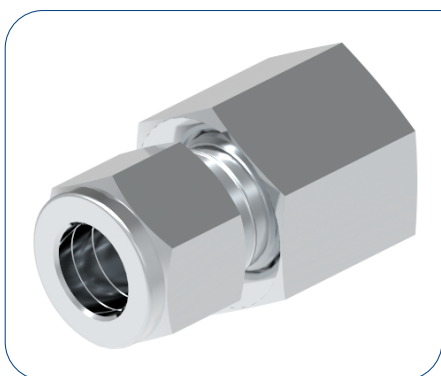


**bulk**

# DOUBLE FERRULE COMPRESSION FITTINGS

FEMALE CONNECTOR DF (FRACTIONAL TUBING X NPT THREAD)

DF SERIES



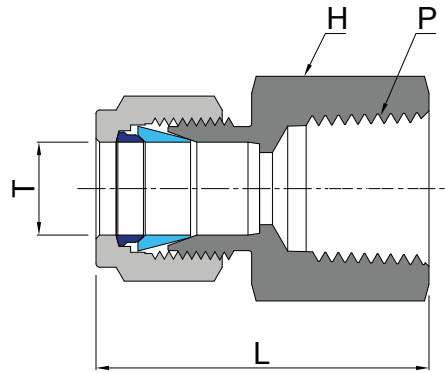
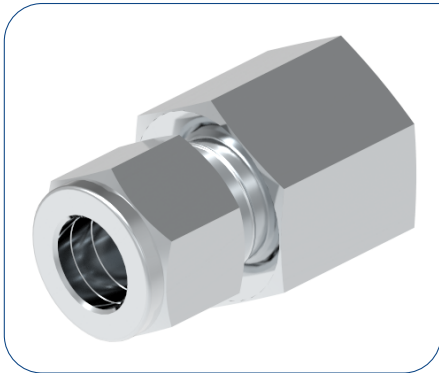
PART No.	TUBE OD, T	P NPT	H (Hex) inch	L mm
	inch			
P-1-1-DF	1/16"	1/16"	7/16"	23.62
P-1-2-DF	1/16"	1/8"	9/16"	24.38
P-1-4-DF	1/16"	1/4"	3/4"	29.12
P-2-1-DF	1/8"	1/16"	7/16"	28.02
P-2-2-DF	1/8"	1/8"	9/16"	28.70
P-2-4-DF	1/8"	1/4"	3/4"	33.52
P-3-2-DF	3/16"	1/8"	9/16"	29.71
P-3-4-DF	3/16"	1/4"	3/4"	34.24
P-3-6-DF	3/16"	3/8"	7/8"	36.00
P-4-1-DF	1/4"	1/16"	9/16"	29.05
P-4-2-DF	1/4"	1/8"	9/16"	31.24
P-4-4-DF	1/4"	1/4"	3/4"	35.81
P-4-6-DF	1/4"	3/8"	7/8"	37.59
P-4-8-DF	1/4"	1/2"	1" 1/16	42.41
P-4-12-DF	1/4"	3/4"	1" 5/16	46.25
P-5-2-DF	5/16"	1/8"	9/16"	32.00
P-5-4-DF	5/16"	1/4"	3/4"	36.83
P-5-6-DF	5/16"	3/8"	7/8"	38.37
P-5-8-DF	5/16"	1/2"	1" 1/16	43.39
P-5-12-DF	5/16"	3/4"	1" 5/16	44.67
P-6-2-DF	3/8"	1/8"	5/8"	32.76

PART No.	TUBE OD, T	P NPT	H (Hex) inch	L mm
	inch			
P-6-4-DF	3/8"	1/4"	3/4"	37.59
P-6-6-DF	3/8"	3/8"	7/8"	39.11
P-6-8-DF	3/8"	1/2"	1" 1/16	43.94
P-6-12-DF	3/8"	3/4"	1" 5/16	47.75
P-8-2-DF	1/2"	1/8"	13/16"	35.86
P-8-4-DF	1/2"	1/4"	13/16"	40.38
P-8-6-DF	1/2"	3/8"	7/8"	41.91
P-8-8-DF	1/2"	1/2"	1" 1/16	46.73
P-8-12-DF	1/2"	3/4"	1" 5/16	48.26
P-8-16-DF	1/2"	1"	1" 5/8	57.81
P-10-6-DF	5/8"	3/8"	15/16"	41.91
P-10-8-DF	5/8"	1/2"	1" 1/16	46.73
P-10-12-DF	5/8"	3/4"	1" 5/16	48.26
P-12-4-DF	3/4"	1/4"	1" 1/16	41.36
P-12-6-DF	3/4"	3/8"	1" 1/16	42.86
P-12-8-DF	3/4"	1/2"	1" 1/16	46.73
P-12-12-DF	3/4"	3/4"	1" 5/16	48.26
P-12-16-DF	3/4"	1"	1" 5/8	52.76
P-16-8-DF	1"	1/2"	1" 3/8	52.76
P-16-12-DF	1"	3/4"	1" 3/8	53.34
P-16-16-DF	1"	1"	1" 5/8	62.23

# DOUBLE FERRULE COMPRESSION FITTINGS

FEMALE CONNECTOR DF (FRACTIONAL TUBING X BSPT THREAD)

bulk



DF SERIES

PART No.	TUBE OD, T	P	H (Hex)	L
	inch			
P-1-1-J-DF	1/16"	1/16"	7/16"	23.62
P-1-2-J-DF	1/16"	1/8"	9/16"	24.38
P-1-4-J-DF	1/16"	1/4"	3/4"	29.12
P-2-1-J-DF	1/8"	1/16"	7/16"	28.02
P-2-2-J-DF	1/8"	1/8"	9/16"	28.70
P-2-4-J-DF	1/8"	1/4"	3/4"	33.52
P-3-2-J-DF	3/16"	1/8"	9/16"	29.71
P-3-4-J-DF	3/16"	1/4"	3/4"	34.24
P-3-6-J-DF	3/16"	3/8"	7/8"	36.00
P-4-1-J-DF	1/4"	1/16"	9/16"	29.05
P-4-2-J-DF	1/4"	1/8"	9/16"	31.24
P-4-4-J-DF	1/4"	1/4"	3/4"	35.81
P-4-6-J-DF	1/4"	3/8"	7/8"	37.59
P-4-8-J-DF	1/4"	1/2"	1" 1/16	42.41
P-4-12-J-DF	1/4"	3/4"	1" 5/16	46.25
P-5-2-J-DF	5/16"	1/8"	9/16"	32.00
P-5-4-J-DF	5/16"	1/4"	3/4"	36.83
P-5-6-J-DF	5/16"	3/8"	7/8"	38.37
P-5-8-J-DF	5/16"	1/2"	1" 1/16	43.39
P-5-12-J-DF	5/16"	3/4"	1" 5/16	44.67
P-6-2-J-DF	3/8"	1/8"	5/8"	32.76

PART No.	TUBE OD, T	P	H (Hex)	L
	inch			
P-6-4-J-DF	3/8"	1/4"	3/4"	37.59
P-6-6-J-DF	3/8"	3/8"	7/8"	39.11
P-6-8-J-DF	3/8"	1/2"	1" 1/16	43.94
P-6-12-J-DF	3/8"	3/4"	1" 5/16	47.75
P-8-2-J-DF	1/2"	1/8"	13/16"	35.86
P-8-4-J-DF	1/2"	1/4"	13/16"	40.38
P-8-6-J-DF	1/2"	3/8"	7/8"	41.91
P-8-8-J-DF	1/2"	1/2"	1" 1/16	46.73
P-8-12-J-DF	1/2"	3/4"	1" 5/16	48.26
P-8-16-J-DF	1/2"	1"	1" 5/8	57.81
P-10-6-J-DF	5/8"	3/8"	15/16"	41.91
P-10-8-J-DF	5/8"	1/2"	1" 1/16	46.73
P-10-12-J-DF	5/8"	3/4"	1" 5/16	48.26
P-12-4-J-DF	3/4"	1/4"	1" 1/16	41.36
P-12-6-J-DF	3/4"	3/8"	1" 1/16	42.86
P-12-8-J-DF	3/4"	1/2"	1" 1/16	46.73
P-12-12-J-DF	3/4"	3/4"	1" 5/16	48.26
P-12-16-J-DF	3/4"	1"	1" 5/8	52.76
P-16-8-J-DF	1"	1/2"	1" 3/8	52.76
P-16-12-J-DF	1"	3/4"	1" 3/8	53.34
P-16-16-J-DF	1"	1"	1" 5/8	62.23

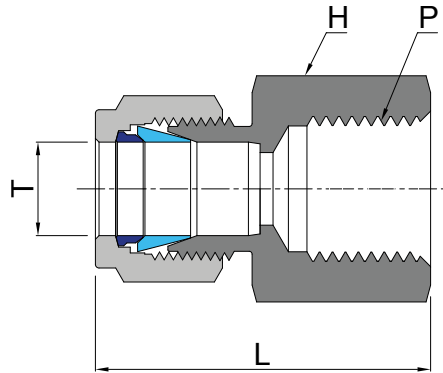
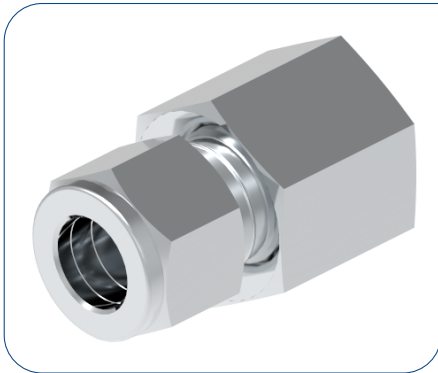


**bulk**

# DOUBLE FERRULE COMPRESSION FITTINGS

FEMALE CONNECTOR DF (FRACTIONAL TUBING X BSPP THREAD)

DF SERIES



PART No.	TUBE OD, T	P	H (Hex)	L
	inch			
P-1-1-K-DF	1/16"	1/16"	7/16"	23.62
P-1-2-K-DF	1/16"	1/8"	9/16"	24.38
P-1-4-K-DF	1/16"	1/4"	3/4"	29.12
P-2-1-K-DF	1/8"	1/16"	7/16"	28.02
P-2-2-K-DF	1/8"	1/8"	9/16"	28.70
P-2-4-K-DF	1/8"	1/4"	3/4"	33.52
P-3-2-K-DF	3/16"	1/8"	9/16"	29.71
P-3-4-K-DF	3/16"	1/4"	3/4"	34.24
P-3-6-K-DF	3/16"	3/8"	7/8"	36.00
P-4-1-K-DF	1/4"	1/16"	9/16"	29.05
P-4-2-K-DF	1/4"	1/8"	9/16"	31.24
P-4-4-K-DF	1/4"	1/4"	3/4"	35.81
P-4-6-K-DF	1/4"	3/8"	7/8"	37.59
P-4-8-K-DF	1/4"	1/2"	1" 1/16	42.41
P-4-12-K-DF	1/4"	3/4"	1" 5/16	46.25
P-5-2-K-DF	5/16"	1/8"	9/16"	32.00
P-5-4-K-DF	5/16"	1/4"	3/4"	36.83
P-5-6-K-DF	5/16"	3/8"	7/8"	38.37
P-5-8-K-DF	5/16"	1/2"	1" 1/16	43.39
P-5-12-K-DF	5/16"	3/4"	1" 5/16	44.67
P-6-2-K-DF	3/8"	1/8"	5/8"	32.76

PART No.	TUBE OD, T	P	H (Hex)	L
	inch			
P-6-4-K-DF	3/8"	1/4"	3/4"	37.59
P-6-6-K-DF	3/8"	3/8"	7/8"	39.11
P-6-8-K-DF	3/8"	1/2"	1" 1/16	43.94
P-6-12-K-DF	3/8"	3/4"	1" 5/16	47.75
P-8-2-K-DF	1/2"	1/8"	13/16"	35.86
P-8-4-K-DF	1/2"	1/4"	13/16"	40.38
P-8-6-K-DF	1/2"	3/8"	7/8"	41.91
P-8-8-K-DF	1/2"	1/2"	1" 1/16	46.73
P-8-12-K-DF	1/2"	3/4"	1" 5/16	48.26
P-8-16-K-DF	1/2"	1"	1" 5/8	57.81
P-10-6-K-DF	5/8"	3/8"	15/16"	41.91
P-10-8-K-DF	5/8"	1/2"	1" 1/16	46.73
P-10-12-K-DF	5/8"	3/4"	1" 5/16	48.26
P-12-4-K-DF	3/4"	1/4"	1" 1/16	41.36
P-12-6-K-DF	3/4"	3/8"	1" 1/16	42.86
P-12-8-K-DF	3/4"	1/2"	1" 1/16	46.73
P-12-12-K-DF	3/4"	3/4"	1" 5/16	48.26
P-12-16-K-DF	3/4"	1"	1" 5/8	52.76
P-16-8-K-DF	1"	1/2"	1" 3/8	52.76
P-16-12-K-DF	1"	3/4"	1" 3/8	53.34
P-16-16-K-DF	1"	1"	1" 5/8	62.23