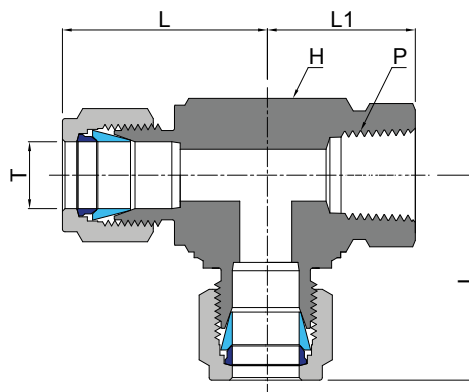


DOUBLE FERRULE COMPRESSION FITTINGS

FEMALE RUN TEE TFL (METRIC TUBING X NPT THREAD)

bulk



TFL SERIES

PART No.	TUBE OD, T	P	H (Hex)	L	L1
	mm				
M-3-2-TFL	3	1/8"	12.70	24.63	19.00
M-3-4-TFL	3	1/4"	17.46	27.43	22.35
M-6-2-TFL	6	1/8"	12.70	27.00	19.00
M-6-4-TFL	6	1/4"	17.46	29.80	22.40
M-6-6-TFL	6	3/8"	20.64	31.70	22.40
M-6-8-TFL	6	1/2"	25.40	34.50	28.40
M-8-2-TFL	8	1/8"	15.87	29.90	19.00
M-8-4-TFL	8	1/4"	17.46	30.60	22.40
M-8-6-TFL	8	3/8"	20.64	32.40	22.40
M-8-8-TFL	8	1/2"	25.40	35.20	28.40
M-10-2-TFL	10	1/8"	17.50	31.50	19.00
M-10-4-TFL	10	1/4"	20.64	33.50	22.40
M-10-6-TFL	10	3/8"	20.64	33.50	22.40
M-10-8-TFL	10	1/2"	25.40	33.60	22.40
M-10-12-TFL	10	3/4"	34.92	42.10	31.75
M-12-4-TFL	12	1/4"	20.64	36.00	22.40
M-12-6-TFL	12	3/8"	20.64	36.00	22.40
M-12-8-TFL	12	1/2"	25.40	40.00	28.40
M-12-12-TFL	12	3/4"	34.92	44.60	31.75
M-12-16-TFL	12	1"	42.86	51.49	38.10
M-14-4-TFL	14	1/4"	23.80	40.00	22.40
M-14-6-TFL	14	3/8"	23.80	40.00	22.40
M-14-8-TFL	14	1/2"	25.40	40.00	28.40

PART No.	TUBE OD, T	P	H (Hex)	L	L1
	mm				
M-14-12-TFL	14	3/4"	34.92	44.60	31.75
M-14-16-TFL	14	1"	42.86	51.49	38.10
M-15-4-TFL	15	1/4"	22.40	40.00	22.40
M-15-6-TFL	15	3/8"	22.40	40.00	22.40
M-15-8-TFL	15	1/2"	25.40	40.00	28.40
M-15-12-TFL	15	3/4"	34.92	44.60	31.75
M-15-16-TFL	15	1"	42.86	51.49	38.10
M-16-4-TFL	16	1/4"	23.80	40.00	22.40
M-16-6-TFL	16	3/8"	23.80	40.00	22.40
M-16-8-TFL	16	1/2"	25.40	40.00	28.70
M-16-12-TFL	16	3/4"	34.92	44.60	31.75
M-16-16-TFL	16	1"	42.86	51.49	38.10
M-18-4-TFL	18	1/4"	26.98	40.00	22.40
M-18-6-TFL	18	3/8"	26.98	40.00	22.40
M-18-8-TFL	18	1/2"	26.98	40.00	28.40
M-18-12-TFL	18	3/4"	34.92	44.60	31.75
M-18-16-TFL	18	1"	42.86	51.49	38.10
M-20-8-TFL	20	1/2"	34.92	42.60	28.40
M-20-12-TFL	20	3/4"	34.92	42.60	31.75
M-20-16-TFL	20	1"	42.86	51.49	38.10
M-22-8-TFL	22	1/2"	34.92	42.60	28.40
M-22-12-TFL	22	3/4"	34.92	42.60	31.75
M-22-16-TFL	22	1"	42.86	51.49	38.10

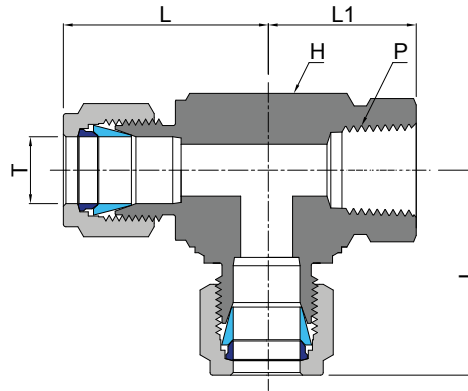


bulk

DOUBLE FERRULE COMPRESSION FITTINGS

FEMALE RUN TEE TFL (FRACTIONAL TUBING X NPT THREAD)

TFL SERIES



PART No.	TUBE OD, T	P NPT	H (Hex) inch	L mm	L1 mm
	inch				
P-1-1-TFL	1/16"	1/16"	7/16"	19.05	18.00
P-1-2-TFL	1/16"	1/8"	1/2"	20.20	19.05
P-1-4-TFL	1/16"	1/4"	11/16"	23.00	22.35
P-2-1-TFL	1/8"	1/16"	7/16"	19.05	18.00
P-2-2-TFL	1/8"	1/8"	1/2"	24.63	19.05
P-2-4-TFL	1/8"	1/4"	11/16"	27.43	22.35
P-3-2-TFL	3/16"	1/8"	1/2"	25.40	19.05
P-3-4-TFL	3/16"	1/4"	11/16"	27.30	22.35
P-3-6-TFL	3/16"	3/8"	13/16"	30.20	22.35
P-4-1-TFL	1/4"	1/16"	1/2"	26.92	18.00
P-4-2-TFL	1/4"	1/8"	1/2"	26.92	19.05
P-4-4-TFL	1/4"	1/4"	11/16"	29.71	22.35
P-4-6-TFL	1/4"	3/8"	13/16"	31.75	22.35
P-4-8-TFL	1/4"	1/2"	1"	34.54	28.44
P-4-12-TFL	1/4"	3/4"	1" 3/8	40.30	31.75
P-6-2-TFL	3/8"	1/8"	5/8"	30.48	19.05
P-6-4-TFL	3/8"	1/4"	11/16"	31.24	22.35
P-6-6-TFL	3/8"	3/8"	13/16"	33.27	22.35
P-6-8-TFL	3/8"	1/2"	1"	36.06	28.44

PART No.	TUBE OD, T	P NPT	H (Hex) inch	L mm	L1 mm
	inch				
P-6-12-TFL	3/8"	3/4"	1" 3/8	41.80	31.50
P-8-2-TFL	1/2"	1/8"	13/16"	36.06	19.05
P-8-4-TFL	1/2"	1/4"	13/16"	36.06	22.35
P-8-6-TFL	1/2"	3/8"	13/16"	36.06	22.35
P-8-8-TFL	1/2"	1/2"	1"	39.87	28.44
P-8-12-TFL	1/2"	3/4"	1" 3/8	44.60	31.75
P-8-16-TFL	1/2"	1"	1" 11/16	49.19	38.10
P-10-6-TFL	5/8"	3/8"	15/16"	38.10	22.35
P-10-8-TFL	5/8"	1/2"	1"	38.86	28.44
P-10-12-TFL	5/8"	3/4"	1" 3/8	44.60	31.75
P-12-4-TFL	3/4"	1/4"	1" 1/16	39.87	22.35
P-12-6-TFL	3/4"	3/8"	1" 1/16	39.87	22.35
P-12-8-TFL	3/4"	1/2"	1" 1/16	39.87	28.44
P-12-12-TFL	3/4"	3/4"	1" 3/8	44.70	31.75
P-12-16-TFL	3/4"	1"	1" 11/16	49.29	38.10
P-16-8-TFL	1"	1/2"	1" 3/8	49.02	28.44
P-16-12-TFL	1"	3/4"	1" 3/8	49.02	31.75
P-16-16-TFL	1"	1"	1" 11/16	53.59	38.10