

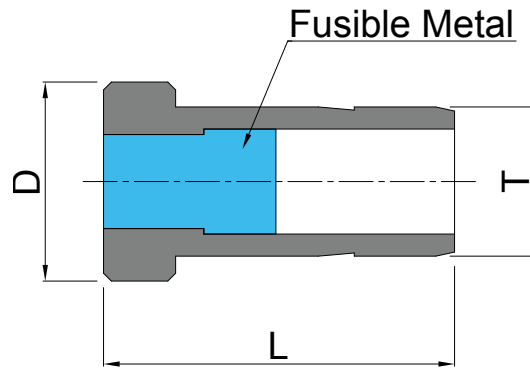
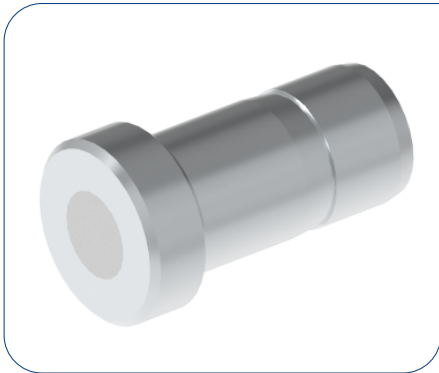


bulk

# DOUBLE FERRULE COMPRESSION FITTINGS

METRIC TUBING FUSIBLE PLUG PFF

PFF SERIES



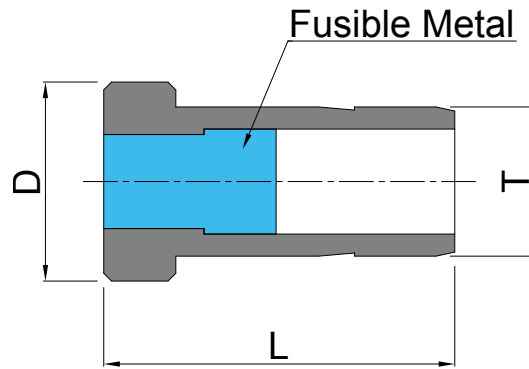
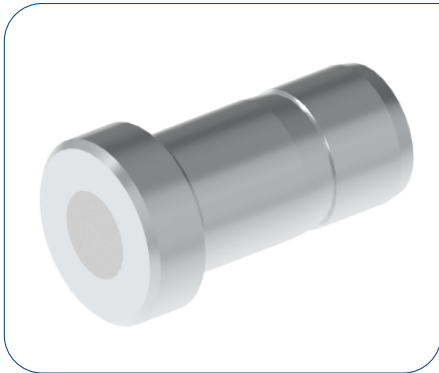
| PART No.     | Tube OD, T | L    | D    | Melting temperature |
|--------------|------------|------|------|---------------------|
|              | mm         |      |      | mm                  |
| M-6-PFF-71   | 6          | 21.0 | 10.0 | 71                  |
| M-6-PFF-124  | 6          | 21.0 | 10.0 | 124                 |
| M-6-PFF-138  | 6          | 21.0 | 10.0 | 138                 |
| M-10-PFF-71  | 10         | 23.0 | 13.0 | 71                  |
| M-10-PFF-124 | 10         | 23.0 | 13.0 | 124                 |
| M-10-PFF-138 | 10         | 23.0 | 13.0 | 138                 |
| M-12-PFF-71  | 12         | 29.0 | 16.0 | 71                  |
| M-12-PFF-124 | 12         | 29.0 | 16.0 | 124                 |
| M-12-PFF-138 | 12         | 29.0 | 16.0 | 138                 |

Maximum working pressure is 250psig (17.3bar)

# DOUBLE FERRULE COMPRESSION FITTINGS

FRACTIONAL TUBING FUSIBLE PLUG PFF

bulk



PFF SERIES

| PART No.    | Tube OD, T | L    | D    | Melting temperature<br>°C |
|-------------|------------|------|------|---------------------------|
|             | inch       |      |      |                           |
| P-4-PFF-71  | 1/4"       | 20.6 | 9.5  | 71                        |
| P-4-PFF-124 | 1/4"       | 20.6 | 9.5  | 124                       |
| P-4-PFF-138 | 1/4"       | 20.6 | 9.5  | 138                       |
| P-6-PFF-71  | 3/8"       | 22.4 | 12.7 | 71                        |
| P-6-PFF-124 | 3/8"       | 22.4 | 12.7 | 124                       |
| P-6-PFF-138 | 3/8"       | 22.4 | 12.7 | 138                       |
| P-8-PFF-71  | 1/2"       | 28.4 | 15.9 | 71                        |
| P-8-PFF-124 | 1/2"       | 28.4 | 15.9 | 124                       |
| P-8-PFF-138 | 1/2"       | 28.4 | 15.9 | 138                       |

Maximum working pressure is 250psig (17.3bar)