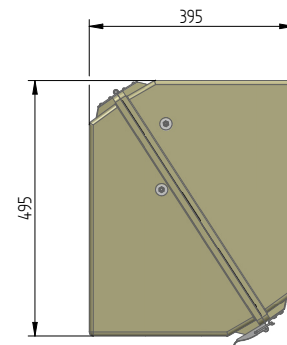
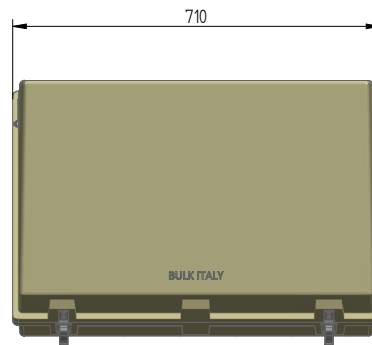
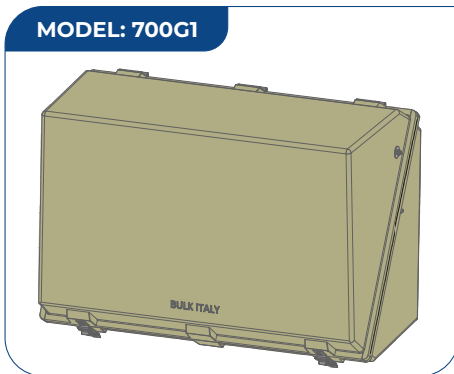




MODEL: 700GI



### Technical characteristics

- Instrument protection enclosure made in hot pressed GRP (Glassfibre Reinforced Polyester)
- External dimension in mm:  
710 (width) x 395 (depth) x 495 (height)
- Minimum thickness 5 mm
- Hinges, clasps and lid propstay made in stainless steel
- Gasket made in EPDM or Silicone
- Working temperature range:  
EPDM gasket: -40°C + 100°C  
SILICONE gasket: -60°C + 100°C
- Light grey color similar to RAL 7032

### Protection degree

- IP 66 construction
- IK10 construction in according to EN 62262:2002
- IK10 construction at -60°C and + 100°C in according to EN 62262:2002

### Resistant to most corrosive types of environments

- UV resistant in according to EN 60079
- Positively tested Sand and Dust Procedure II - Blowing sand in according to MIL-STD-810G METHOD 510.5
- Positively tested to Salt Mist Corrosion
- Positively tested in wind tunnel up to 160 km/h

### Hardly inflammable and self-extinguishing

- "V-0" classification in according to UL 94 June 2009
- Determination of burning behavior by oxygen index in according to UNI EN ISO 4589-2: 35% Oxygen Index
- Classification of fire behavior in according to DIN 4102-1:1998: CLASS B2

### Conformity to hazardous area directive:

- EAC CU TR 010/2011 compliance
- CE MARK 2014/35/UE

### Options/accessories:

- antistatic material suitable for installation into Ex Area in according to ATEX or CU TR 012/2011: see model 700N1
- window in safety glass
- thermal insulation
- electrical heater and thermostat
- junction box
- shrinkable
- louvres
- cable gland
- grommet
- bulkhead union
- capillary entry
- TAG label
- lockable door
- drain device
- earth bar
- handle
- special mounting bracket
- compact manifold
- 2" pipe stand



**bulk**

**MADE IN ITALY**

# GRP ENCLOSURES

## INSTRUMENT ENCLOSURE SERIE IE

### HOW TO ORDER:

ENCLOSURE SERIE	GASKET TYPE	MATERIAL	WINDOW	INSULATION	TYPICAL ASSEMBLY	MOUNTING BRACKET MATERIAL	CERTIFICATION
70	0: EPDM (MIN. -40 °C)	G: GRP LIGHT GREY RAL 7032	1: WITHOUT WINDOW	C: INSULATED	SELECT FROM BELOW	A: ZINC-COATED STEEL	C: CE
	1: SILICONE (MIN. -60°C)	(*)		S: NOT INSULATED		B: AISI 316	E: EAC CU TR 010/2011 COMPLIANCE
						C: NOT REQUIRED	F: NOT REQUIRED

(\*) Other colours available on request

### EXAMPLE: 700GI017AF

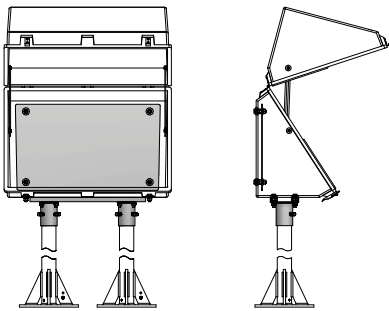
ENCLOSURE SERIE 70 NOT INSULATED WITHOUT WINDOW, MATERIAL GRP LIGHT GREY RAL 7032 C/W EPDM GASKET, DOUBLE INTERNAL AND SINGLE EXTERNAL ZINC-COATED STEEL MOUNTING PLATE FOR 2" PIPESTAND, WITHOUT CERTIFICATE

TYPICAL ASSEMBLY 000	TYPICAL ASSEMBLY 017	TYPICAL ASSEMBLY 027
Without mounting brackets	External bracket placed on the bottom side for 2" pipe stand Double internal 2" vertical pillar placed on the bottom side	External bracket placed on the bottom side for 2" pipe stand Triple internal 2" vertical pillar placed on the bottom side
TYPICAL ASSEMBLY 037	TYPICAL ASSEMBLY 047	TYPICAL ASSEMBLY 057
External bracket placed on the bottom side for 2" pipe stand Double internal 2" vertical pillar placed on the rear side	External bracket placed on the rear side for 2" pipe stand Triple internal 2" vertical pillar placed on the rear side	External bracket placed on the bottom side for 2" pipe stand Internal plate placed on the rear side
TYPICAL ASSEMBLY 067	TYPICAL ASSEMBLY 077	TYPICAL ASSEMBLY 087
External bracket placed on the rear side for 2" pipe stand Internal plate placed on the rear side	Double external bracket placed on the bottom side for 2" pipe stand Double internal 2" vertical pillar placed on the bottom side	Double external bracket placed on the bottom side for 2" pipe stand Triple internal 2" vertical pillar placed on the bottom side

700GI SERIE IE



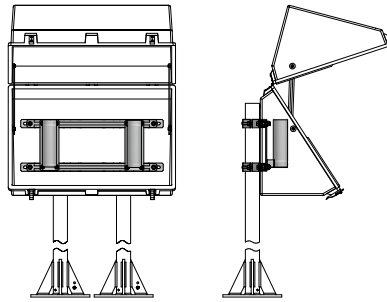
**TYPICAL ASSEMBLY 097**



Double external bracket placed on the bottom side for 2" pipe stand

Internal plate placed on the rear side

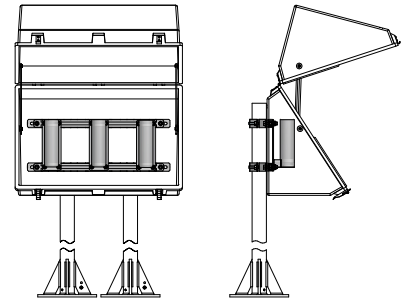
**TYPICAL ASSEMBLY 107**



Double external bracket placed on the rear side for 2" pipe stand

Double internal 2" vertical pillar placed on the rear side

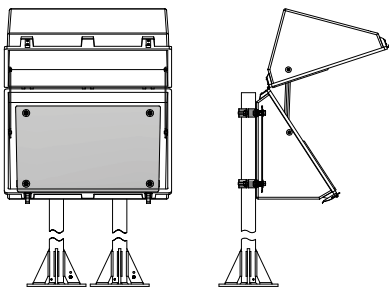
**TYPICAL ASSEMBLY 117**



Double external bracket placed on the rear side for 2" pipe stand

Triple internal 2" vertical pillar placed on the rear side

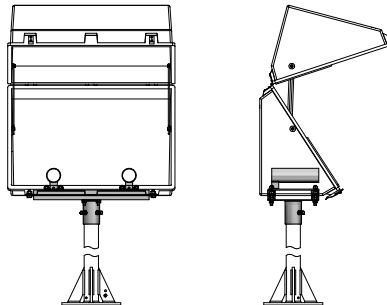
**TYPICAL ASSEMBLY 127**



External bracket placed on rear side for 2" pipe stand

Internal plate placed on the rear side

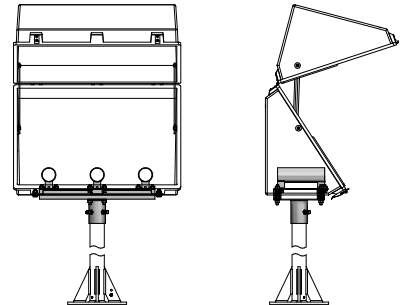
**TYPICAL ASSEMBLY 137**



External bracket placed on the bottom side for 2" pipe stand

Double internal 2" horizontal pillar placed on the bottom side

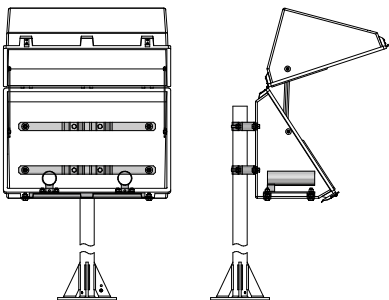
**TYPICAL ASSEMBLY 147**



External bracket placed on the bottom side for 2" pipe stand

Triple internal 2" horizontal pillar placed on the bottom side

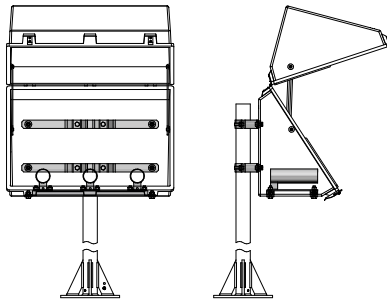
**TYPICAL ASSEMBLY 157**



External bracket placed on the rear side for 2" pipe stand

Double internal 2" horizontal pillar placed on the bottom side

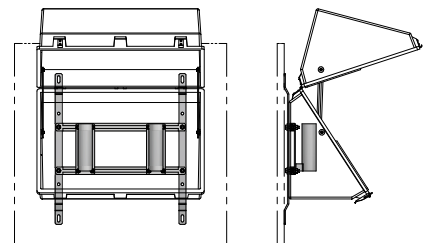
**TYPICAL ASSEMBLY 167**



External bracket placed on the rear side for 2" pipe stand

Triple internal 2" horizontal pillar placed on the bottom side

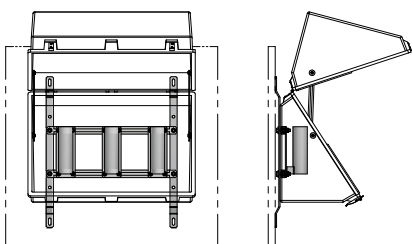
**TYPICAL ASSEMBLY 177**



External bracket placed on the rear side for wall mounting

Double internal 2" vertical pillar placed on the rear side

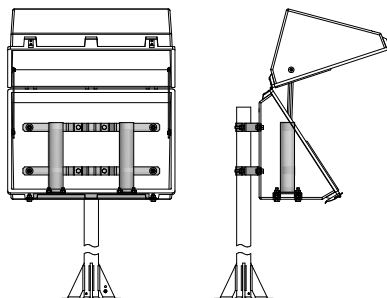
**TYPICAL ASSEMBLY 187**



External bracket placed on the rear side for wall mounting

Triple internal 2" vertical pillar placed on the rear side

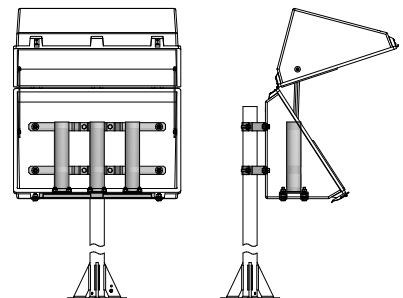
**TYPICAL ASSEMBLY 197**



External bracket placed on the rear side for 2" pipe stand

Double internal 2" vertical pillar placed on the bottom side

**TYPICAL ASSEMBLY 207**



External bracket placed on the rear side for 2" pipe stand

Triple internal 2" vertical pillar placed on the bottom side



bulk

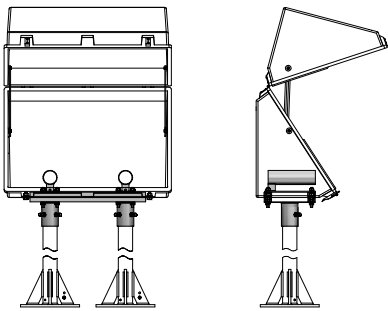
MADE IN ITALY

# GRP ENCLOSURES

## INSTRUMENT ENCLOSURE SERIE IE

700GI SERIE IE

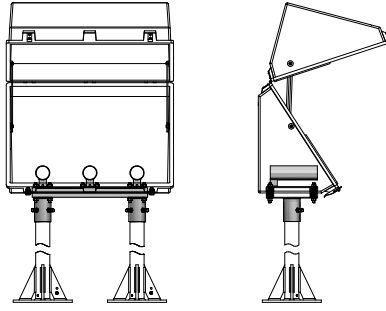
**TYPICAL ASSEMBLY 217**



Double external bracket placed on the bottom side for 2" pipe stand

Double internal 2" horizontal pillar placed on the bottom side

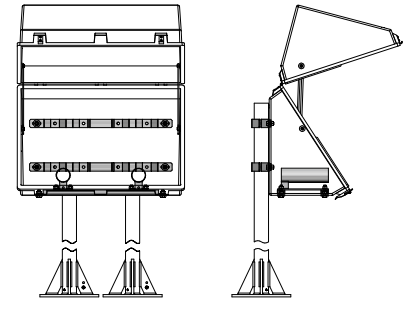
**TYPICAL ASSEMBLY 227**



Double external bracket placed on the bottom side for 2" pipe stand

Triple internal 2" horizontal pillar placed on the bottom side

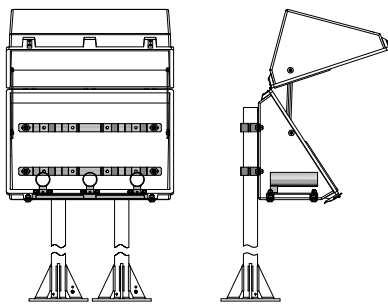
**TYPICAL ASSEMBLY 237**



External bracket placed on the rear side for 2" pipe stand

Double internal 2" horizontal pillar placed on the bottom side

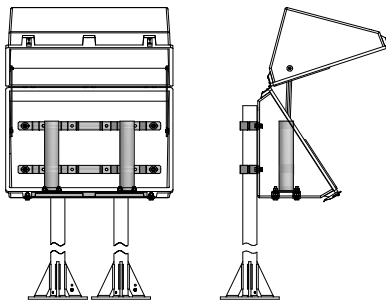
**TYPICAL ASSEMBLY 247**



Double external bracket placed on the rear side for 2" pipe stand

Triple internal 2" horizontal pillar placed on the bottom side

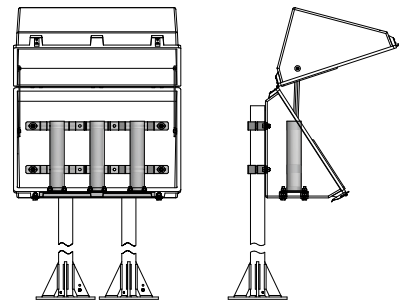
**TYPICAL ASSEMBLY 257**



Double external bracket placed on the rear side for 2" pipe stand

Double internal 2" vertical pillar placed on the bottom side

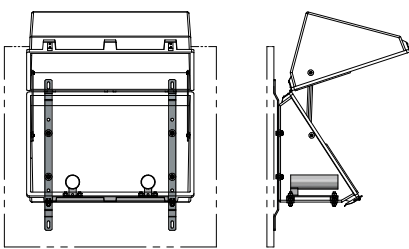
**TYPICAL ASSEMBLY 267**



Double external bracket placed on the rear side for 2" pipe stand

Triple internal 2" vertical pillar placed on the bottom side

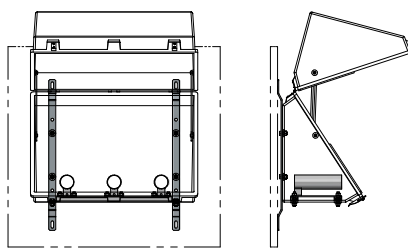
**TYPICAL ASSEMBLY 277**



External bracket placed on the rear side for wall mounting

Double internal 2" horizontal pillar placed on the bottom side

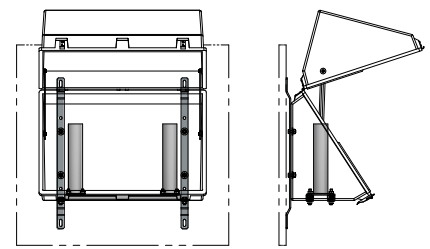
**TYPICAL ASSEMBLY 287**



External bracket placed on the rear side for wall mounting

Triple internal 2" horizontal pillar placed on the bottom side

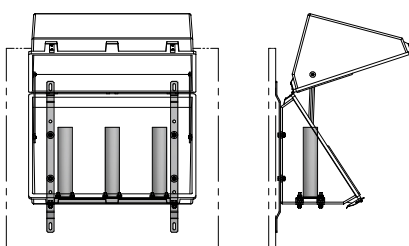
**TYPICAL ASSEMBLY 297**



External bracket placed on the rear side for wall mounting

Double internal 2" vertical pillar placed on the bottom side

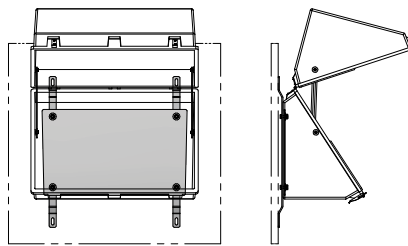
**TYPICAL ASSEMBLY 307**



External bracket placed on the rear side for wall mounting

Triple internal 2" vertical pillar placed on the bottom side

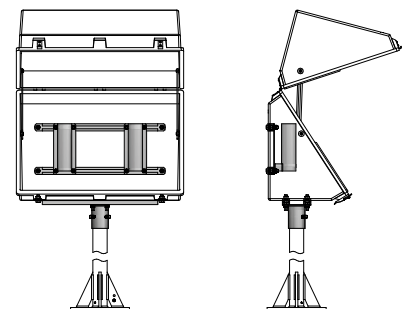
**TYPICAL ASSEMBLY 317**



External bracket placed on the rear side for wall mounting

Internal plate placed on the rear side

**TYPICAL ASSEMBLY 327**

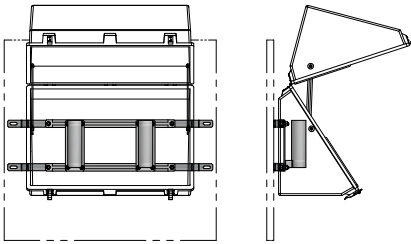


External bracket placed on the bottom side for 2" pipe stand

Double internal 2" vertical pillar placed on the rear side



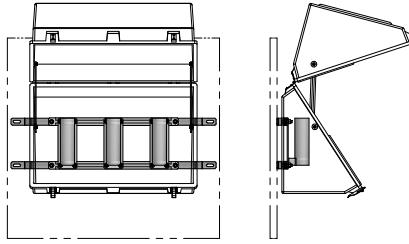
**TYPICAL ASSEMBLY 337**



External bracket placed on the rear side for wall mounting

Double internal 2" vertical pillar placed on the rear side

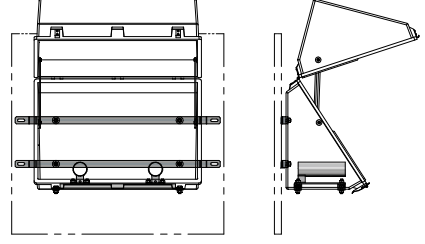
**TYPICAL ASSEMBLY 347**



External bracket placed on the rear side for wall mounting

Triple internal 2" vertical pillar placed on the rear side

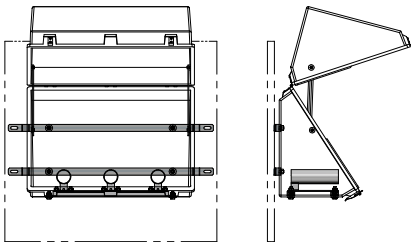
**TYPICAL ASSEMBLY 357**



External bracket placed on the rear side for wall mounting

Double internal 2" horizontal pillar placed on the bottom side

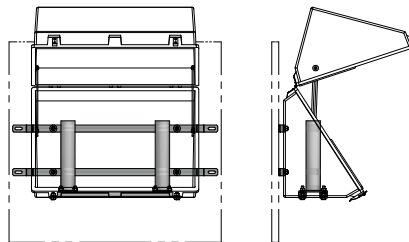
**TYPICAL ASSEMBLY 367**



External bracket placed on the rear side for wall mounting

Triple internal 2" horizontal pillar placed on the bottom side

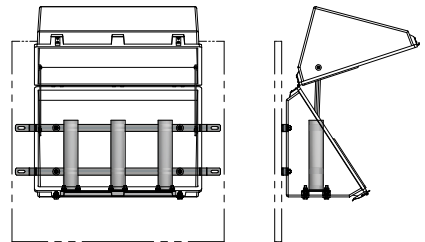
**TYPICAL ASSEMBLY 377**



External bracket placed on the rear side for wall mounting

Double internal 2" vertical pillar placed on the bottom side

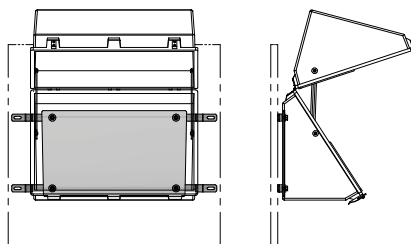
**TYPICAL ASSEMBLY 387**



External bracket placed on the rear side for wall mounting

Triple internal 2" vertical pillar placed on the bottom side

**TYPICAL ASSEMBLY 397**



External bracket placed on the rear side for wall mounting

Internal plate placed on the rear side