



bulk

BULK ITALY
Type 125

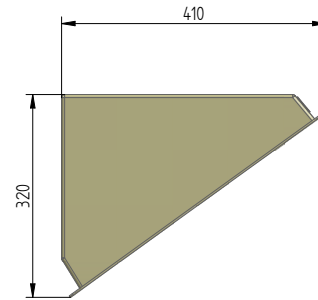
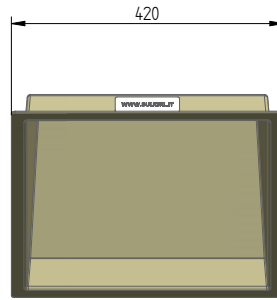
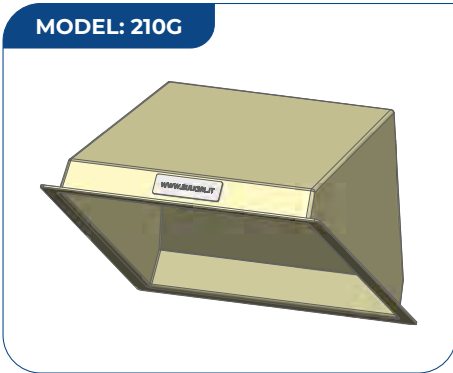
MADE IN ITALY

GRP SUNSHADES

INSTRUMENT SUNSHADE SERIE SS

210G SERIE SS

MODEL: 210G



Technical characteristics

- Instrument protection sunshade made in hot pressed GRP (Glassfibre Reinforced Polyester)
- External dimensions in mm:
420 (width) x 410 (depth) x 320 (height)
- Average thickness 3 mm
- Weight in kg: 2 (without accessories)
- Light grey color similar to RAL 7032
- Working temperature range: -60°C + 100°C

Resistant to most corrosive types of environments

- UV resistant in according to EN 60079
- Positively tested Sand and Dust Procedure II - Blowing sand in according to MIL-STD-810G METHOD 510.5
- Positively tested to Salt Mist Corrosion
- Positively tested in wind tunnel up to 160 km/h

Hardly inflammable and self-extinguishing

- "V-0" classification in according to UL 94 June 2009
- Determination of burning behavior by oxygen index in according to UNI EN ISO 4589-2: 35% Oxygen Index
- Classification of fire behavior in according to DIN 4102-1:1998: CLASS B2

Export license

- EAC CU TR 010/2011 compliance

Options/accessories:

- Antistatic material suitable for installation into Ex Area: see model 210N
- 2" pipe stand

GRP SUNSHADES

INSTRUMENT SUNSHADE SERIE SS

bulk



HOW TO ORDER:

SUNSHADE SERIE	MATERIAL	TYPICAL ASSEMBLY	MOUNTING BRACKET MATERIAL	HOLES FOR BRACKET	PAINTING	CERTIFICATION
210	G: GRP LIGHT GREY RAL 7032	SELECT FROM BELOW	A: ZINC COATED STEEL	C: REQUIRED	01: NO PAINTING	F: NOT REQUIRED
			B: AISI 316			
			Z: NO MOUNTING BRACKET	S: NOT REQUIRED	(*)	E: EAC CU TR 010/2011 COMPLIANCE

(*) Painting on demand

EXAMPLE HOW TO ORDER: 210G00121BC01F

GRP SUNSHADES MODEL 210 RAL 7032 C/W 2" mounting brackets made in AISI 316 and holes, without painting nor certificate

<p>TYPICAL ASSEMBLY 00000 WITHOUT HOLES AND MOUNTING BRACKETS</p>	<p>TYPICAL ASSEMBLY 00121 SHORT SIDE ON SUPPORT 2" PIPESTAND EXTERNAL MOUNTING</p>	<p>TYPICAL ASSEMBLY 00221 SHORT SIDE ON SUPPORT 2" PIPESTAND INTERNAL MOUNTING</p>
<p>TYPICAL ASSEMBLY 00321 SHORT SIDE ON SUPPORT SINGLE BRACKET FOR 2" PIPESTAND EXTERNAL MOUNTING</p>	<p>TYPICAL ASSEMBLY 00421 SHORT SIDE ON SUPPORT DOUBLE BRACKET FOR 2" PIPESTAND EXTERNAL MOUNTING</p>	<p>TYPICAL ASSEMBLY 00521 SHORT SIDE ON SUPPORT SINGLE BRACKET FOR WALL MOUNTING</p>
<p>TYPICAL ASSEMBLY 00621 SHORT SIDE ON SUPPORT DOUBLE BRACKET FOR WALL MOUNTING</p>	<p>TYPICAL ASSEMBLY 00721 LONG SIDE ON SUPPORT 2" PIPESTAND EXTERNAL MOUNTING</p>	<p>TYPICAL ASSEMBLY 00821 LONG SIDE ON SUPPORT 2" PIPESTAND INTERNAL MOUNTING</p>
<p>TYPICAL ASSEMBLY 00921 LONG SIDE ON SUPPORT SINGLE BRACKET FOR 2" PIPESTAND EXTERNAL MOUNTING</p>	<p>TYPICAL ASSEMBLY 01021 LONG SIDE ON SUPPORT DOUBLE BRACKET FOR 2" PIPESTAND EXTERNAL MOUNTING</p>	<p>TYPICAL ASSEMBLY 01121 LONG SIDE ON SUPPORT SINGLE BRACKET FOR WALL MOUNTING</p>
<p>TYPICAL ASSEMBLY 01221 LONG SIDE ON SUPPORT DOUBLE BRACKET FOR WALL MOUNTING</p>	<p>TYPICAL ASSEMBLY 01321 SELF STANDING MOUNTING BRACKETS ON ACTUATOR</p>	

210G SERIE SS