



**bulk**

BULK ITALY  
Type 125

MADE IN ITALY

**GRP SUNSHADES**

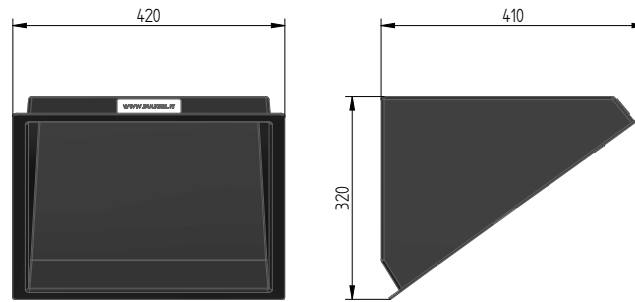
INSTRUMENT SUNSHADE SERIE SSN

210N SERIE SSN

**MODEL: 210N**



ATEX 2014-34-UE  
CU TR 012/2011



### Technical characteristics

- Instrument protection sunshade made in hot pressed GRP (Glassfibre Reinforced Polyester)
- Antistatic material (surface resistance  $\leq$  of  $10^9 \Omega$ )
- External dimensions in mm:  
420 (width) x 410 (depth) x 320 (height)
- Average thickness 3 mm
- Weight in kg: 2 (without accessories)
- Black color
- Working temperature range:  $-60^\circ\text{C} + 100^\circ\text{C}$

### Protection degree

- IK10 construction in according to EN 62262:2002
- Positively tested to Impact test at  $-60^\circ\text{C}$   
CEI EN 60811-506

### Resistant to most corrosive types of environments

- UV resistant in according to EN 60079
- Positively tested Sand and Dust Procedure II - Blowing sand in according to MIL-STD-810G METHOD 510.5
- Positively tested to Salt Mist Corrosion
- Positively tested in wind tunnel up to 160 km/h

### Hardly inflammable and self-extinguishing

- "V-0" classification in according to UL 94 June 2009
- Determination of burning behavior by oxygen index in according to UNI EN ISO 4589-2:  
30,5% Oxygen Index
- Classification of fire behavior in according to DIN 4102-1: 1998: CLASS B2

### Conformity to hazardous area directive

- ATEX 2014-34-UE
- II 2G Ex h IIC T6 Gb X
- II 2D Ex h IIIC T85°C Db X
- CU TR 012/2011
- II Gb T6 X
- III Db T85°C X
- $-60^\circ\text{C} \leq T_a \leq +100^\circ\text{C}$

### Options/accessories:

- 2" pipe stand

# GRP SUNSHADES

INSTRUMENT SUNSHADE SERIE SSN

bulk



**HOW TO ORDER:**

SUNSHADE SERIE	MATERIAL	TYPICAL ASSEMBLY	MOUNTING BRACKET MATERIAL	HOLES FOR BRACKET	PAINTING	CERTIFICATION
210	N: GRP ANTISTATIC BLACK	<b>SELECT FROM BELOW</b>	A: ZINC COATED STEEL	C: REQUIRED	01: NO PAINTING	A: ATEX
			B: AISI 316	S: NOT REQUIRED	(*)	D: EAC CU TR 012/2011 COMPLIANCE
			Z: NO MOUNTING BRACKET			

(\*) Painting on demand

EXAMPLE HOW TO ORDER: 210N**00121**BC01A

GRP SUNSHADES MODEL 210 ANTISTATIC BLACK C/W 2" mounting brackets made in AISI 316 and holes, without painting, certified ATEX

<p>TYPICAL ASSEMBLY <b>00000</b> WITHOUT HOLES AND MOUNTING BRACKETS</p>	<p>TYPICAL ASSEMBLY <b>00121</b> SHORT SIDE ON SUPPORT 2" PIPESTAND EXTERNAL MOUNTING</p>	<p>TYPICAL ASSEMBLY <b>00221</b> SHORT SIDE ON SUPPORT 2" PIPESTAND INTERNAL MOUNTING</p>
<p>TYPICAL ASSEMBLY <b>00321</b> SHORT SIDE ON SUPPORT SINGLE BRACKET FOR 2" PIPESTAND EXTERNAL MOUNTING</p>	<p>TYPICAL ASSEMBLY <b>00421</b> SHORT SIDE ON SUPPORT DOUBLE BRACKET FOR 2" PIPESTAND EXTERNAL MOUNTING</p>	<p>TYPICAL ASSEMBLY <b>00521</b> SHORT SIDE ON SUPPORT SINGLE BRACKET FOR WALL MOUNTING</p>
<p>TYPICAL ASSEMBLY <b>00621</b> SHORT SIDE ON SUPPORT DOUBLE BRACKET FOR WALL MOUNTING</p>	<p>TYPICAL ASSEMBLY <b>00721</b> LONG SIDE ON SUPPORT 2" PIPESTAND EXTERNAL MOUNTING</p>	<p>TYPICAL ASSEMBLY <b>00821</b> LONG SIDE ON SUPPORT 2" PIPESTAND INTERNAL MOUNTING</p>
<p>TYPICAL ASSEMBLY <b>00921</b> LONG SIDE ON SUPPORT SINGLE BRACKET FOR 2" PIPESTAND EXTERNAL MOUNTING</p>	<p>TYPICAL ASSEMBLY <b>01021</b> LONG SIDE ON SUPPORT DOUBLE BRACKET FOR 2" PIPESTAND EXTERNAL MOUNTING</p>	<p>TYPICAL ASSEMBLY <b>01121</b> LONG SIDE ON SUPPORT SINGLE BRACKET FOR WALL MOUNTING</p>
<p>TYPICAL ASSEMBLY <b>01221</b> LONG SIDE ON SUPPORT DOUBLE BRACKET FOR WALL MOUNTING</p>	<p>TYPICAL ASSEMBLY <b>01321</b> SELF STANDING MOUNTING BRACKETS ON ACTUATOR</p>	

210N SERIE SSN