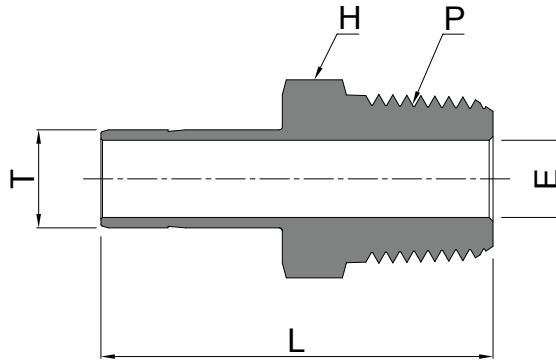


DOUBLE FERRULE COMPRESSION FITTINGS

MALE ADAPTER AM (METRIC TUBING X NPT THREAD)

bulk



AM SERIES

PART No.	TUBE OD, T	P	E	H (Hex)	L
	mm				
M-2-2-AM	2	1/8"	1.0	12	24.3
M-2-4-AM	2	1/4"	1.0	14	27.0
M-3-2-AM	3	1/8"	1.8	12	29.4
M-3-4-AM	3	1/4"	1.8	14	34.5
M-4-2-AM	4	1/8"	2.6	12	30.1
M-4-4-AM	4	1/4"	2.6	14	35.2
M-6-2-AM	6	1/8"	4.6	12	32.8
M-6-4-AM	6	1/4"	4.6	14	38.1
M-6-6-AM	6	3/8"	4.6	18	38.6
M-6-8-AM	6	1/2"	4.6	22	45.0
M-8-2-AM	8	1/8"	6.3	12	34.6
M-8-4-AM	8	1/4"	6.3	14	39.1
M-8-6-AM	8	3/8"	6.3	18	39.7
M-8-8-AM	8	1/2"	6.3	22	46.0
M-10-2-AM	10	1/8"	7.7	12	36.0
M-10-4-AM	10	1/4"	7.7	14	39.9
M-10-6-AM	10	3/8"	7.7	17	40.6
M-10-8-AM	10	1/2"	7.7	22	45.2
M-10-12-AM	10	3/4"	7.7	27	50.0
M-12-4-AM	12	1/4"	8.8	14	46.5
M-12-6-AM	12	3/8"	8.8	17	46.5
M-12-8-AM	12	1/2"	8.8	22	51.8
M-12-12-AM	12	3/4"	8.8	27	53.6
M-12-16-AM	12	1"	8.8	35	61.0
M-14-4-AM	14	1/4"	10.4	14	47.2
M-14-6-AM	14	3/8"	10.4	18	47.2
M-14-8-AM	14	1/2"	10.4	22	52.1

PART No.	TUBE OD, T	P	E	H (Hex)	L
	mm				
M-14-12-AM	14	3/4"	10.4	27	52.1
M-14-16-AM	14	1"	10.4	35	61.0
M-15-4-AM	15	1/4"	11.2	18	47.2
M-15-6-AM	15	3/8"	11.2	18	47.2
M-15-8-AM	15	1/2"	11.2	22	52.1
M-15-12-AM	15	3/4"	11.2	27	53.5
M-15-16-AM	15	1"	11.2	35	61.0
M-16-4-AM	16	1/4"	12.0	18	47.2
M-16-6-AM	16	3/8"	12.0	18	47.2
M-16-8-AM	16	1/2"	12.0	22	52.1
M-16-12-AM	16	3/4"	12.0	27	52.1
M-16-16-AM	16	1"	12.0	35	61.0
M-18-4-AM	18	1/4"	13.9	18	47.6
M-18-6-AM	18	3/8"	13.9	22	47.6
M-18-8-AM	18	1/2"	13.9	22	53.2
M-18-12-AM	18	3/4"	13.9	27	53.2
M-18-16-AM	18	1"	13.9	35	61.0
M-20-8-AM	20	1/2"	15.5	22	55.4
M-20-12-AM	20	3/4"	15.5	27	55.4
M-20-16-AM	20	1"	15.5	35	61.0
M-22-8-AM	22	1/2"	17.1	22	55.4
M-22-12-AM	22	3/4"	17.1	27	55.4
M-22-16-AM	22	1"	17.1	35	61.0
M-25-8-AM	25	1/2"	19.9	27	61.2
M-25-12-AM	25	3/4"	19.9	27	61.2
M-25-16-AM	25	1"	19.9	35	66.0

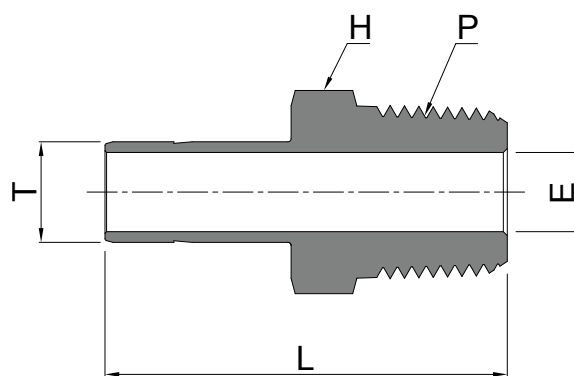


bulk

DOUBLE FERRULE COMPRESSION FITTINGS

MALE ADAPTER AM (METRIC TUBING X BSPT THREAD)

AM SERIES



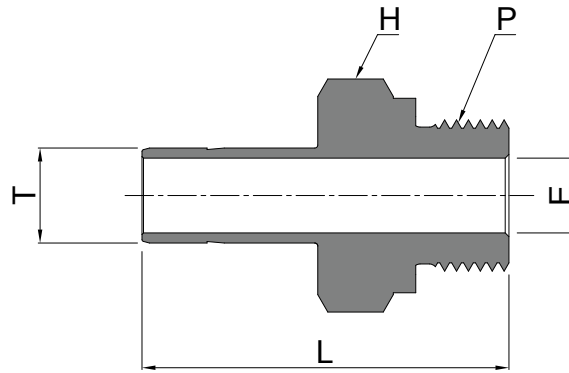
PART No.	TUBE OD, T	P BSPT	E mm	H (Hex) mm	L mm
	mm				
M-2-2-J-AM	2	1/8"	1.0	12	24.3
M-2-4-J-AM	2	1/4"	1.0	14	27.0
M-3-2-J-AM	3	1/8"	1.8	12	29.4
M-3-4-J-AM	3	1/4"	1.8	14	34.5
M-4-2-J-AM	4	1/8"	2.6	12	30.1
M-4-4-J-AM	4	1/4"	2.6	14	35.2
M-6-2-J-AM	6	1/8"	4.6	12	32.8
M-6-4-J-AM	6	1/4"	4.6	14	38.1
M-6-6-J-AM	6	3/8"	4.6	18	38.6
M-6-8-J-AM	6	1/2"	4.6	22	45.0
M-8-2-J-AM	8	1/8"	6.3	12	34.6
M-8-4-J-AM	8	1/4"	6.3	14	39.1
M-8-6-J-AM	8	3/8"	6.3	18	39.7
M-8-8-J-AM	8	1/2"	6.3	22	46.0
M-10-2-J-AM	10	1/8"	7.7	12	36.0
M-10-4-J-AM	10	1/4"	7.7	14	39.9
M-10-6-J-AM	10	3/8"	7.7	17	40.6
M-10-8-J-AM	10	1/2"	7.7	22	45.2
M-10-12-J-AM	10	3/4"	7.7	27	50.0
M-12-4-J-AM	12	1/4"	8.8	14	46.5
M-12-6-J-AM	12	3/8"	8.8	17	46.5
M-12-8-J-AM	12	1/2"	8.8	22	51.8
M-12-12-J-AM	12	3/4"	8.8	27	53.6
M-12-16-J-AM	12	1"	8.8	35	61.0
M-14-4-J-AM	14	1/4"	10.4	14	47.2
M-14-6-J-AM	14	3/8"	10.4	18	47.2
M-14-8-J-AM	14	1/2"	10.4	22	52.1

PART No.	TUBE OD, T	P BSPT	E mm	H (Hex) mm	L mm
	mm				
M-14-12-J-AM	14	3/4"	10.4	27	52.1
M-14-16-J-AM	14	1"	10.4	35	61.0
M-15-4-J-AM	15	1/4"	11.2	18	47.2
M-15-6-J-AM	15	3/8"	11.2	18	47.2
M-15-8-J-AM	15	1/2"	11.2	22	52.1
M-15-12-J-AM	15	3/4"	11.2	27	53.5
M-15-16-J-AM	15	1"	11.2	35	61.0
M-16-4-J-AM	16	1/4"	12.0	18	47.2
M-16-6-J-AM	16	3/8"	12.0	18	47.2
M-16-8-J-AM	16	1/2"	12.0	22	52.1
M-16-12-J-AM	16	3/4"	12.0	27	52.1
M-16-16-J-AM	16	1"	12.0	35	61.0
M-18-4-J-AM	18	1/4"	13.9	18	47.6
M-18-6-J-AM	18	3/8"	13.9	22	47.6
M-18-8-J-AM	18	1/2"	13.9	22	53.2
M-18-12-J-AM	18	3/4"	13.9	27	53.2
M-18-16-J-AM	18	1"	13.9	35	61.0
M-20-8-J-AM	20	1/2"	15.5	22	55.4
M-20-12-J-AM	20	3/4"	15.5	27	55.4
M-20-16-J-AM	20	1"	15.5	35	61.0
M-22-8-J-AM	22	1/2"	17.1	22	55.4
M-22-12-J-AM	22	3/4"	17.1	27	55.4
M-22-16-J-AM	22	1"	17.1	35	61.0
M-25-8-J-AM	25	1/2"	19.9	27	61.2
M-25-12-J-AM	25	3/4"	19.9	27	61.2
M-25-16-J-AM	25	1"	19.9	35	66.0

DOUBLE FERRULE COMPRESSION FITTINGS

MALE ADAPTER AM (METRIC TUBING X BSPP THREAD)

bulk



AM SERIES

PART No.	TUBE OD, T	P BSPP	E mm	H (Hex) mm	L mm
	mm				
M-2-2-K-AM	2	1/8"	1.0	14	25.3
M-2-4-K-AM	2	1/4"	1.0	19	28.0
M-3-2-K-AM	3	1/8"	1.8	14	30.3
M-3-4-K-AM	3	1/4"	1.8	19	35.4
M-4-2-K-AM	4	1/8"	2.6	14	31.1
M-4-4-K-AM	4	1/4"	2.6	19	36.2
M-6-2-K-AM	6	1/8"	4.6	14	34.3
M-6-4-K-AM	6	1/4"	4.6	19	39.1
M-6-6-K-AM	6	3/8"	4.6	22	39.6
M-6-8-K-AM	6	1/2"	4.6	27	45.9
M-8-2-K-AM	8	1/8"	6.3	15	35.6
M-8-4-K-AM	8	1/4"	6.3	19	40.1
M-8-6-K-AM	8	3/8"	6.3	22	40.7
M-8-8-K-AM	8	1/2"	6.3	27	47.0
M-10-2-K-AM	10	1/8"	7.7	19	36.3
M-10-4-K-AM	10	1/4"	7.7	19	40.9
M-10-6-K-AM	10	3/8"	7.7	22	41.7
M-10-8-K-AM	10	1/2"	7.7	27	44.7
M-10-12-K-AM	10	3/4"	7.7	35	50.5
M-12-4-K-AM	12	1/4"	8.8	19	46.7
M-12-6-K-AM	12	3/8"	8.8	22	47.2
M-12-8-K-AM	12	1/2"	8.8	27	50.5
M-12-12-K-AM	12	3/4"	8.8	35	54.3
M-12-16-K-AM	12	1"	8.8	41	61.7
M-14-4-K-AM	14	1/4"	10.4	24	47.9
M-14-6-K-AM	14	3/8"	10.4	24	47.9
M-14-8-K-AM	14	1/2"	10.4	27	52.8

PART No.	TUBE OD, T	P BSPP	E mm	H (Hex) mm	L mm
	mm				
M-14-12-K-AM	14	3/4"	10.4	35	52.8
M-14-16-K-AM	14	1"	10.4	41	61.7
M-15-4-K-AM	15	1/4"	11.2	24	47.9
M-15-6-K-AM	15	3/8"	11.2	24	47.9
M-15-8-K-AM	15	1/2"	11.2	27	52.8
M-15-12-K-AM	15	3/4"	11.2	35	54.2
M-15-16-K-AM	15	1"	11.2	41	61.7
M-16-4-K-AM	16	1/4"	12.0	24	47.9
M-16-6-K-AM	16	3/8"	12.0	24	47.9
M-16-8-K-AM	16	1/2"	12.0	27	52.8
M-16-12-K-AM	16	3/4"	12.0	35	52.8
M-16-16-K-AM	16	1"	12.0	41	61.7
M-18-4-K-AM	18	1/4"	13.9	27	49.6
M-18-6-K-AM	18	3/8"	13.9	27	49.6
M-18-8-K-AM	18	1/2"	13.9	27	52.1
M-18-12-K-AM	18	3/4"	13.9	35	56.1
M-18-16-K-AM	18	1"	13.9	41	63.0
M-20-8-K-AM	20	1/2"	15.5	30	57.4
M-20-12-K-AM	20	3/4"	15.5	35	57.4
M-20-16-K-AM	20	1"	15.5	41	63.0
M-22-8-K-AM	22	1/2"	17.1	30	57.4
M-22-12-K-AM	22	3/4"	17.1	35	57.4
M-22-16-K-AM	22	1"	17.1	41	63.0
M-25-8-K-AM	25	1/2"	19.9	35	62.3
M-25-12-K-AM	25	3/4"	19.9	35	62.3
M-25-16-K-AM	25	1"	19.9	41	67.1

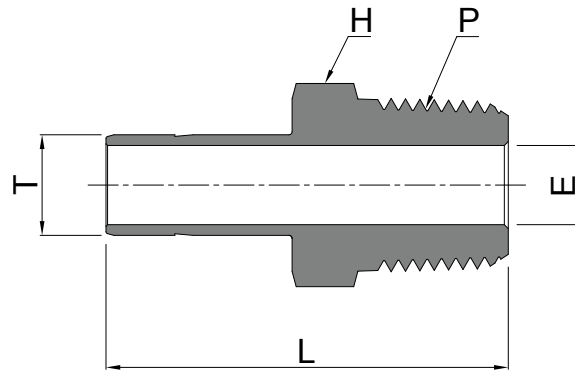


bulk

DOUBLE FERRULE COMPRESSION FITTINGS

MALE ADAPTER AM (FRACTIONAL TUBING X NPT THREAD)

AM SERIES



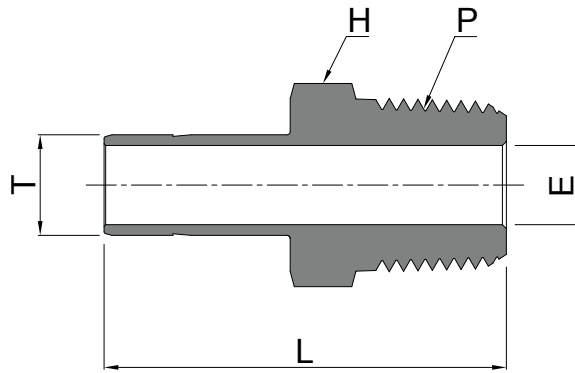
PART No.	TUBE OD, T	P NPT	E mm	H (Hex) inch	L mm
	inch				
P-1-1-AM	1/16"	1/16"	0.76	5/16"	21.62
P-1-2-AM	1/16"	1/8"	0.76	7/16"	23.95
P-1-4-AM	1/16"	1/4"	0.76	9/16"	28.77
P-2-1-AM	1/8"	1/16"	1.77	7/16"	28.73
P-2-2-AM	1/8"	1/8"	1.77	7/16"	29.50
P-2-4-AM	1/8"	1/4"	1.77	9/16"	34.80
P-3-2-AM	3/16"	1/8"	3.04	7/16"	30.22
P-3-4-AM	3/16"	1/4"	3.04	9/16"	35.56
P-3-6-AM	3/16"	3/8"	3.04	11/16"	36.78
P-4-1-AM	1/4"	1/16"	4.57	7/16"	31.80
P-4-2-AM	1/4"	1/8"	4.57	7/16"	31.80
P-4-4-AM	1/4"	1/4"	4.57	9/16"	37.08
P-4-6-AM	1/4"	3/8"	4.57	11/16"	37.84
P-4-8-AM	1/4"	1/2"	4.57	7/8"	43.43
P-4-12-AM	1/4"	3/4"	4.57	1" 1/16"	45.26
P-5-2-AM	5/16"	1/8"	6.35	7/16"	32.76
P-5-4-AM	5/16"	1/4"	6.35	9/16"	38.10
P-5-6-AM	5/16"	3/8"	6.35	11/16"	37.84
P-5-8-AM	5/16"	1/2"	6.35	7/8"	44.33
P-5-12-AM	5/16"	3/4"	6.35	1" 1/16"	45.72
P-6-2-AM	3/8"	1/8"	7.11	7/16"	33.50

PART No.	TUBE OD, T	P NPT	E mm	H (Hex) inch	L mm
	inch				
P-6-4-AM	3/8"	1/4"	7.11	9/16"	38.90
P-6-6-AM	3/8"	3/8"	7.11	11/16"	39.60
P-6-8-AM	3/8"	1/2"	7.11	7/8"	45.20
P-6-12-AM	3/8"	3/4"	7.11	1" 1/16"	46.73
P-8-2-AM	1/2"	1/8"	9.90	9/16"	40.34
P-8-4-AM	1/2"	1/4"	9.90	9/16"	44.50
P-8-6-AM	1/2"	3/8"	9.90	11/16"	45.20
P-8-8-AM	1/2"	1/2"	9.90	7/8"	50.50
P-8-12-AM	1/2"	3/4"	9.90	1" 1/16"	52.02
P-8-16-AM	1/2"	1"	9.90	1" 3/8"	58.63
P-10-6-AM	5/8"	3/8"	12.70	11/16"	47.40
P-10-8-AM	5/8"	1/2"	12.70	7/8"	52.30
P-10-12-AM	5/8"	3/4"	12.70	1" 1/16"	52.30
P-12-4-AM	3/4"	1/4"	14.98	7/8"	44.95
P-12-6-AM	3/4"	3/8"	14.98	7/8"	46.48
P-12-8-AM	3/4"	1/2"	14.98	7/8"	52.30
P-12-12-AM	3/4"	3/4"	14.98	1" 1/16"	52.30
P-12-16-AM	3/4"	1"	14.98	1" 3/8"	57.91
P-16-8-AM	1"	1/2"	20.06	1" 1/16"	58.70
P-16-12-AM	1"	3/4"	20.06	1" 1/16"	58.70
P-16-16-AM	1"	1"	20.06	1" 3/8"	66.00

DOUBLE FERRULE COMPRESSION FITTINGS

MALE ADAPTER AM (FRACTIONAL TUBING X BSPT THREAD)

bulk



AM SERIES

PART No.	TUBE OD, T	P	E	H (Hex)	L
	inch				
P-1-1-J-AM	1/16"	1/16"	0.76	5/16"	21.62
P-1-2-J-AM	1/16"	1/8"	0.76	7/16"	23.95
P-1-4-J-AM	1/16"	1/4"	0.76	9/16"	28.77
P-2-1-J-AM	1/8"	1/16"	1.77	7/16"	28.73
P-2-2-J-AM	1/8"	1/8"	1.77	7/16"	29.50
P-2-4-J-AM	1/8"	1/4"	1.77	9/16"	34.80
P-3-2-J-AM	3/16"	1/8"	3.04	7/16"	30.22
P-3-4-J-AM	3/16"	1/4"	3.04	9/16"	35.56
P-3-6-J-AM	3/16"	3/8"	3.04	11/16"	36.78
P-4-1-J-AM	1/4"	1/16"	4.57	7/16"	31.80
P-4-2-J-AM	1/4"	1/8"	4.57	7/16"	31.80
P-4-4-J-AM	1/4"	1/4"	4.57	9/16"	37.08
P-4-6-J-AM	1/4"	3/8"	4.57	11/16"	37.84
P-4-8-J-AM	1/4"	1/2"	4.57	7/8"	43.43
P-4-12-J-AM	1/4"	3/4"	4.57	1" 1/16"	45.26
P-5-2-J-AM	5/16"	1/8"	6.35	7/16"	32.76
P-5-4-J-AM	5/16"	1/4"	6.35	9/16"	38.10
P-5-6-J-AM	5/16"	3/8"	6.35	11/16"	37.84
P-5-8-J-AM	5/16"	1/2"	6.35	7/8"	44.33
P-5-12-J-AM	5/16"	3/4"	6.35	1" 1/16"	45.72
P-6-2-J-AM	3/8"	1/8"	7.11	7/16"	33.50

PART No.	TUBE OD, T	P	E	H (Hex)	L
	inch				
P-6-4-J-AM	3/8"	1/4"	7.11	9/16"	38.90
P-6-6-J-AM	3/8"	3/8"	7.11	11/16"	39.60
P-6-8-J-AM	3/8"	1/2"	7.11	7/8"	45.20
P-6-12-J-AM	3/8"	3/4"	7.11	1" 1/16"	46.73
P-8-2-J-AM	1/2"	1/8"	9.90	9/16"	40.34
P-8-4-J-AM	1/2"	1/4"	9.90	9/16"	44.50
P-8-6-J-AM	1/2"	3/8"	9.90	11/16"	45.20
P-8-8-J-AM	1/2"	1/2"	9.90	7/8"	50.50
P-8-12-J-AM	1/2"	3/4"	9.90	1" 1/16"	52.02
P-8-16-J-AM	1/2"	1"	9.90	1" 3/8"	58.63
P-10-6-J-AM	5/8"	3/8"	12.70	11/16"	47.40
P-10-8-J-AM	5/8"	1/2"	12.70	7/8"	52.30
P-10-12-J-AM	5/8"	3/4"	12.70	1" 1/16"	52.30
P-12-4-J-AM	3/4"	1/4"	14.98	7/8"	44.95
P-12-6-J-AM	3/4"	3/8"	14.98	7/8"	46.48
P-12-8-J-AM	3/4"	1/2"	14.98	7/8"	52.30
P-12-12-J-AM	3/4"	3/4"	14.98	1" 1/16"	52.30
P-12-16-J-AM	3/4"	1"	14.98	1" 3/8"	57.91
P-16-8-J-AM	1"	1/2"	20.06	1" 1/16"	58.70
P-16-12-J-AM	1"	3/4"	20.06	1" 1/16"	58.70
P-16-16-J-AM	1"	1"	20.06	1" 3/8"	66.00

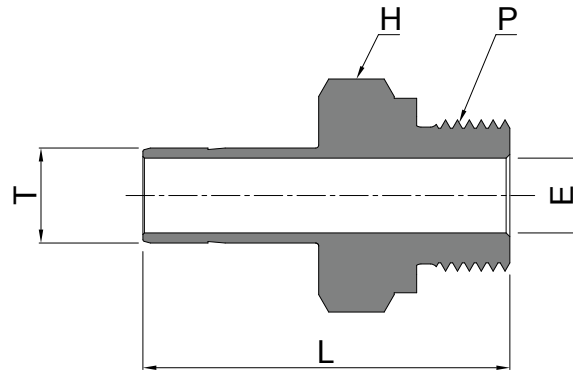


bulk

DOUBLE FERRULE COMPRESSION FITTINGS

MALE ADAPTER AM (FRACTIONAL TUBING X BSPP THREAD)

AM SERIES



PART No.	TUBE OD, T	P BSPP	E mm	H (Hex) inch	L mm
	inch				
P-1-1-K-AM	1/16"	1/16"	0.76	7/16"	17.67
P-1-2-K-AM	1/16"	1/8"	0.76	9/16"	24.27
P-1-4-K-AM	1/16"	1/4"	0.76	3/4"	29.61
P-2-1-K-AM	1/8"	1/16"	1.77	7/16"	24.12
P-2-2-K-AM	1/8"	1/8"	1.77	9/16"	30.47
P-2-4-K-AM	1/8"	1/4"	1.77	3/4"	35.80
P-3-2-K-AM	3/16"	1/8"	3.04	9/16"	31.50
P-3-4-K-AM	3/16"	1/4"	3.04	3/4"	36.84
P-3-6-K-AM	3/16"	3/8"	3.04	7/8"	37.74
P-4-1-K-AM	1/4"	1/16"	4.57	1/2"	27.47
P-4-2-K-AM	1/4"	1/8"	4.57	9/16"	33.27
P-4-4-K-AM	1/4"	1/4"	4.57	3/4"	38.10
P-4-6-K-AM	1/4"	3/8"	4.57	7/8"	39.86
P-4-8-K-AM	1/4"	1/2"	4.57	1" 1/16	45.70
P-4-12-K-AM	1/4"	3/4"	4.57	1" 3/8	49.77
P-5-2-K-AM	5/16"	1/8"	6.35	9/16"	33.77
P-5-4-K-AM	5/16"	1/4"	6.35	3/4"	39.11
P-5-6-K-AM	5/16"	3/8"	6.35	7/8"	40.38
P-5-8-K-AM	5/16"	1/2"	6.35	1" 1/16	46.22
P-5-12-K-AM	5/16"	3/4"	6.35	1" 3/8	50.28
P-6-2-K-AM	3/8"	1/8"	7.11	5/8"	34.45

PART No.	TUBE OD, T	P BSPP	E mm	H (Hex) inch	L mm
	inch				
P-6-4-K-AM	3/8"	1/4"	7.11	3/4"	39.80
P-6-6-K-AM	3/8"	3/8"	7.11	7/8"	40.64
P-6-8-K-AM	3/8"	1/2"	7.11	1" 1/16	46.91
P-6-12-K-AM	3/8"	3/4"	7.11	1" 3/8	50.97
P-8-2-K-AM	1/2"	1/8"	9.90	13/16"	41.62
P-8-4-K-AM	1/2"	1/4"	9.90	13/16"	45.50
P-8-6-K-AM	1/2"	3/8"	9.90	7/8"	46.20
P-8-8-K-AM	1/2"	1/2"	9.90	1" 1/16	49.30
P-8-12-K-AM	1/2"	3/4"	9.90	1" 3/8	55.85
P-8-16-K-AM	1/2"	1"	9.90	1" 3/8	55.85
P-10-6-K-AM	5/8"	3/8"	12.70	15/16"	46.39
P-10-8-K-AM	5/8"	1/2"	12.70	1" 1/16	52.23
P-10-12-K-AM	5/8"	3/4"	12.70	1" 3/8	56.04
P-12-4-K-AM	3/4"	1/4"	14.98	1" 1/16	48.01
P-12-6-K-AM	3/4"	3/8"	14.98	1" 1/16	48.01
P-12-8-K-AM	3/4"	1/2"	14.98	1" 1/16	51.05
P-12-12-K-AM	3/4"	3/4"	14.98	1" 3/8	54.86
P-12-16-K-AM	3/4"	1"	14.98	1" 5/8	57.40
P-16-8-K-AM	1"	1/2"	20.06	1" 3/8	60.44
P-16-12-K-AM	1"	3/4"	20.06	1" 3/8	60.44
P-16-16-K-AM	1"	1"	20.06	1" 5/8	64.50