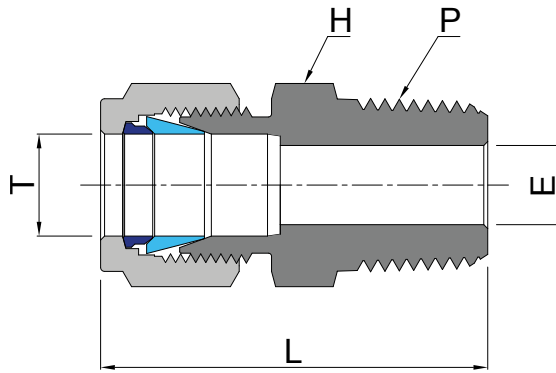


DOUBLE FERRULE COMPRESSION FITTINGS

MALE CONNECTOR DM (METRIC TUBING X NPT THREAD)

bulk



DM SERIES

PART No.	TUBE OD, T	P	E Min	H (Hex)	L
	mm				
M-2-2-DM	2	1/8"	1.7	12	30.5
M-2-4-DM	2	1/4"	1.7	14	33.2
M-3-2-DM	3	1/8"	2.4	12	30.5
M-3-4-DM	3	1/4"	2.4	14	35.6
M-4-2-DM	4	1/8"	2.4	12	31.2
M-4-4-DM	4	1/4"	2.4	14	36.3
M-6-2-DM	6	1/8"	4.8	14	32.8
M-6-4-DM	6	1/4"	4.8	14	37.9
M-6-6-DM	6	3/8"	4.8	18	38.4
M-6-8-DM	6	1/2"	4.8	22	44.7
M-8-2-DM	8	1/8"	6.4	15	34.2
M-8-4-DM	8	1/4"	6.4	15	38.7
M-8-6-DM	8	3/8"	6.4	18	39.3
M-8-8-DM	8	1/2"	6.4	22	45.6
M-10-2-DM	10	1/8"	7.9	18	36.3
M-10-4-DM	10	1/4"	7.9	18	40.9
M-10-6-DM	10	3/8"	7.9	18	40.9
M-10-8-DM	10	1/2"	7.9	22	46.5
M-10-12-DM	10	3/4"	7.9	27	50.5
M-12-4-DM	12	1/4"	9.5	22	43.4
M-12-6-DM	12	3/8"	9.5	22	43.4
M-12-8-DM	12	1/2"	9.5	22	49.0
M-12-12-DM	12	3/4"	9.5	27	50.5
M-12-16-DM	12	1"	9.5	35	57.9
M-14-4-DM	14	1/4"	12.7	24	44.1
M-14-6-DM	14	3/8"	12.7	24	44.1
M-14-8-DM	14	1/2"	12.7	24	49.0

PART No.	TUBE OD, T	P	E Min	H (Hex)	L
	mm				
M-14-12-DM	14	3/4"	12.7	27	49.0
M-14-16-DM	14	1"	12.7	35	57.9
M-15-4-DM	15	1/4"	12.7	24	44.1
M-15-6-DM	15	3/8"	12.7	24	44.1
M-15-8-DM	15	1/2"	12.7	24	49.0
M-15-12-DM	15	3/4"	12.7	27	50.4
M-15-16-DM	15	1"	12.7	35	57.9
M-16-4-DM	16	1/4"	12.7	24	44.1
M-16-6-DM	16	3/8"	12.7	24	44.1
M-16-8-DM	16	1/2"	12.7	24	49.0
M-16-12-DM	16	3/4"	12.7	27	49.0
M-16-16-DM	16	1"	12.7	35	57.9
M-18-4-DM	18	1/4"	15.1	27	44.5
M-18-6-DM	18	3/8"	15.1	27	44.5
M-18-8-DM	18	1/2"	15.1	27	50.5
M-18-12-DM	18	3/4"	15.1	27	50.5
M-18-16-DM	18	1"	15.1	35	57.9
M-20-8-DM	20	1/2"	15.9	30	52.3
M-20-12-DM	20	3/4"	15.9	30	52.3
M-20-16-DM	20	1"	15.9	35	57.9
M-22-8-DM	22	1/2"	18.3	30	52.3
M-22-12-DM	22	3/4"	18.3	30	52.3
M-22-16-DM	22	1"	18.3	35	57.9
M-25-8-DM	25	1/2"	21.8	35	57.5
M-25-12-DM	25	3/4"	21.8	35	57.5
M-25-16-DM	25	1"	21.8	35	62.3

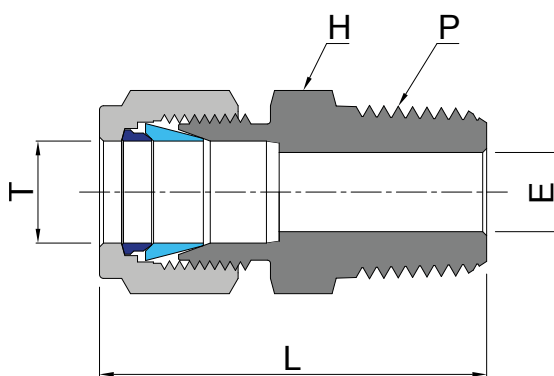
Male connectors for thermocouple are available with full bore (suffix-FB) i.e. M-12-8-DM-L-FB

**bulk**

DOUBLE FERRULE COMPRESSION FITTINGS

MALE CONNECTOR DM (METRIC TUBING X BSPT THREAD)

DM SERIES



PART No.	TUBE OD, T	P BSPT	E Min mm	H (Hex) mm	L mm
	mm				
M-2-2-J-DM	2	1/8"	1.7	12	30.5
M-2-4-J-DM	2	1/4"	1.7	14	33.2
M-3-2-J-DM	3	1/8"	2.4	12	30.5
M-3-4-J-DM	3	1/4"	2.4	14	35.6
M-4-2-J-DM	4	1/8"	2.4	12	31.2
M-4-4-J-DM	4	1/4"	2.4	14	36.3
M-6-2-J-DM	6	1/8"	4.8	14	32.8
M-6-4-J-DM	6	1/4"	4.8	14	37.9
M-6-6-J-DM	6	3/8"	4.8	18	38.4
M-6-8-J-DM	6	1/2"	4.8	22	44.7
M-8-2-J-DM	8	1/8"	6.4	15	34.2
M-8-4-J-DM	8	1/4"	6.4	15	38.7
M-8-6-J-DM	8	3/8"	6.4	18	39.3
M-8-8-J-DM	8	1/2"	6.4	22	45.6
M-10-2-J-DM	10	1/8"	7.9	18	36.3
M-10-4-J-DM	10	1/4"	7.9	18	40.9
M-10-6-J-DM	10	3/8"	7.9	18	40.9
M-10-8-J-DM	10	1/2"	7.9	22	46.5
M-10-12-J-DM	10	3/4"	7.9	27	50.5
M-12-4-J-DM	12	1/4"	9.5	22	43.4
M-12-6-J-DM	12	3/8"	9.5	22	43.4
M-12-8-J-DM	12	1/2"	9.5	22	49.0
M-12-12-J-DM	12	3/4"	9.5	27	50.5
M-12-16-J-DM	12	1"	9.5	35	57.9
M-14-4-J-DM	14	1/4"	12.7	24	44.1
M-14-6-J-DM	14	3/8"	12.7	24	44.1
M-14-8-J-DM	14	1/2"	12.7	24	49.0

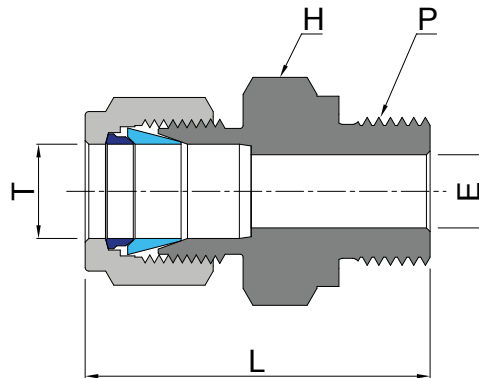
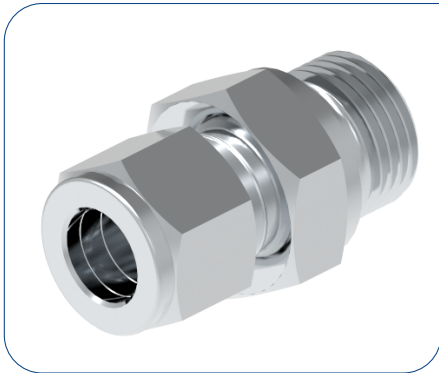
PART No.	TUBE OD, T	P BSPT	E Min mm	H (Hex) mm	L mm
	mm				
M-14-12-J-DM	14	3/4"	12.7	27	49.0
M-14-16-J-DM	14	1"	12.7	35	57.9
M-15-4-J-DM	15	1/4"	12.7	24	44.1
M-15-6-J-DM	15	3/8"	12.7	24	44.1
M-15-8-J-DM	15	1/2"	12.7	24	49.0
M-15-12-J-DM	15	3/4"	12.7	27	50.4
M-15-16-J-DM	15	1"	12.7	35	57.9
M-16-4-J-DM	16	1/4"	12.7	24	44.1
M-16-6-J-DM	16	3/8"	12.7	24	44.1
M-16-8-J-DM	16	1/2"	12.7	24	49.0
M-16-12-J-DM	16	3/4"	12.7	27	49.0
M-16-16-J-DM	16	1"	12.7	35	57.9
M-18-4-J-DM	18	1/4"	15.1	27	44.5
M-18-6-J-DM	18	3/8"	15.1	27	44.5
M-18-8-J-DM	18	1/2"	15.1	27	50.5
M-18-12-J-DM	18	3/4"	15.1	27	50.5
M-18-16-J-DM	18	1"	15.1	35	57.9
M-20-8-J-DM	20	1/2"	15.9	30	52.3
M-20-12-J-DM	20	3/4"	15.9	30	52.3
M-20-16-J-DM	20	1"	15.9	35	57.9
M-22-8-J-DM	22	1/2"	18.3	30	52.3
M-22-12-J-DM	22	3/4"	18.3	30	52.3
M-22-16-J-DM	22	1"	18.3	35	57.9
M-25-8-J-DM	25	1/2"	21.8	35	57.5
M-25-12-J-DM	25	3/4"	21.8	35	57.5
M-25-16-J-DM	25	1"	21.8	35	62.3

Male connectors for thermocouple are available with full bore (suffix-FB) i.e. M-12-8-J-DM-L-FB

DOUBLE FERRULE COMPRESSION FITTINGS

MALE CONNECTOR DM (METRIC TUBING X BSPP THREAD)

bulk



DM SERIES

PART No.	TUBE OD, T	P	E Min	H (Hex)	L
	mm				
M-2-2-K-DM	2	1/8"	1.7	14	30.0
M-2-4-K-DM	2	1/4"	1.7	19	35.3
M-3-2-K-DM	3	1/8"	2.4	14	30.0
M-3-4-K-DM	3	1/4"	2.4	19	35.3
M-4-2-K-DM	4	1/8"	2.4	14	30.7
M-4-4-K-DM	4	1/4"	2.4	19	36.0
M-6-2-K-DM	6	1/8"	4.8	14	32.3
M-6-4-K-DM	6	1/4"	4.8	19	37.6
M-6-6-K-DM	6	3/8"	4.8	22	38.9
M-6-8-K-DM	6	1/2"	4.8	27	44.7
M-8-2-K-DM	8	1/8"	6.4	15	33.2
M-8-4-K-DM	8	1/4"	6.4	19	38.5
M-8-6-K-DM	8	3/8"	6.4	22	39.8
M-8-8-K-DM	8	1/2"	6.4	27	45.6
M-10-2-K-DM	10	1/8"	7.9	19	35.3
M-10-4-K-DM	10	1/4"	7.9	19	39.4
M-10-6-K-DM	10	3/8"	7.9	22	40.6
M-10-8-K-DM	10	1/2"	7.9	27	46.5
M-10-12-K-DM	10	3/4"	7.9	35	50.3
M-12-4-K-DM	12	1/4"	9.5	22	42.6
M-12-6-K-DM	12	3/8"	9.5	22	43.1
M-12-8-K-DM	12	1/2"	9.5	27	49.0
M-12-12-K-DM	12	3/4"	9.5	35	52.8
M-12-16-K-DM	12	1"	9.5	41	55.3
M-14-4-K-DM	14	1/4"	12.7	24	46.0
M-14-6-K-DM	14	3/8"	12.7	24	46.0
M-14-8-K-DM	14	1/2"	12.7	27	49.0

PART No.	TUBE OD, T	P	E Min	H (Hex)	L
	mm				
M-14-12-K-DM	14	3/4"	12.7	35	52.8
M-14-16-K-DM	14	1"	12.7	41	55.3
M-15-4-K-DM	15	1/4"	12.7	24	46.0
M-15-6-K-DM	15	3/8"	12.7	24	46.0
M-15-8-K-DM	15	1/2"	12.7	27	49.0
M-15-12-K-DM	15	3/4"	12.7	35	52.8
M-15-16-K-DM	15	1"	12.7	41	55.3
M-16-4-K-DM	16	1/4"	12.7	24	46.0
M-16-6-K-DM	16	3/8"	12.7	24	43.9
M-16-8-K-DM	16	1/2"	12.7	27	49.0
M-16-12-K-DM	16	3/4"	12.7	35	52.8
M-16-16-K-DM	16	1"	12.7	41	55.3
M-18-4-K-DM	18	1/4"	15.1	27	46.0
M-18-6-K-DM	18	3/8"	15.1	27	46.0
M-18-8-K-DM	18	1/2"	15.1	27	49.0
M-18-12-K-DM	18	3/4"	15.1	35	52.8
M-18-16-K-DM	18	1"	15.1	41	55.3
M-20-8-K-DM	20	1/2"	15.9	30	50.5
M-20-12-K-DM	20	3/4"	15.9	35	52.8
M-20-16-K-DM	20	1"	15.9	41	55.3
M-22-8-K-DM	22	1/2"	18.3	30	51.3
M-22-12-K-DM	22	3/4"	18.3	35	52.8
M-22-16-K-DM	22	1"	18.3	41	55.3
M-25-8-K-DM	25	1/2"	19.8	35	56.0
M-25-12-K-DM	25	3/4"	19.8	35	57.5
M-25-16-K-DM	25	1"	19.8	41	60.1

Male connectors for thermocouple are available with full bore (suffix-FB) i.e. M-12-8-K-DM-L-FB

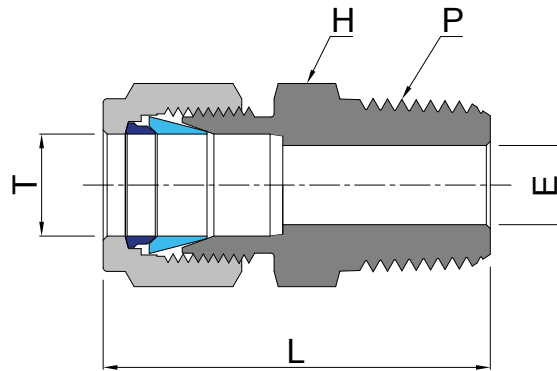


bulk

DOUBLE FERRULE COMPRESSION FITTINGS

MALE CONNECTOR DM (FRACTIONAL TUBING X NPT THREAD)

DM SERIES



PART No.	TUBE OD, T	P NPT	E Min mm	H (Hex) inch	L mm
	inch				
P-1-1-DM	1/16"	1/16"	1.27	5/16"	23.83
P-1-2-DM	1/16"	1/8"	1.27	7/16"	26.16
P-1-4-DM	1/16"	1/4"	1.27	9/16"	30.98
P-2-1-DM	1/8"	1/16"	2.28	7/16"	29.71
P-2-2-DM	1/8"	1/8"	2.28	7/16"	30.48
P-2-4-DM	1/8"	1/4"	2.28	9/16"	35.56
P-3-2-DM	3/16"	1/8"	3.04	7/16"	31.24
P-3-4-DM	3/16"	1/4"	3.04	9/16"	36.32
P-3-6-DM	3/16"	3/8"	3.04	11/16"	37.54
P-4-1-DM	1/4"	1/16"	4.82	1/2"	32.76
P-4-2-DM	1/4"	1/8"	4.82	1/2"	32.76
P-4-4-DM	1/4"	1/4"	4.82	9/16"	37.84
P-4-6-DM	1/4"	3/8"	4.82	11/16"	38.35
P-4-8-DM	1/4"	1/2"	4.82	7/8"	44.70
P-4-12-DM	1/4"	3/4"	4.82	1" 1/16"	46.22
P-5-2-DM	5/16"	1/8"	6.35	9/16"	34.03
P-5-4-DM	5/16"	1/4"	6.35	9/16"	38.60
P-5-6-DM	5/16"	3/8"	6.35	11/16"	39.11
P-5-8-DM	5/16"	1/2"	6.35	7/8"	45.60
P-5-12-DM	5/16"	3/4"	6.35	1" 1/16"	46.99
P-6-2-DM	3/8"	1/8"	7.11	5/8"	35.30

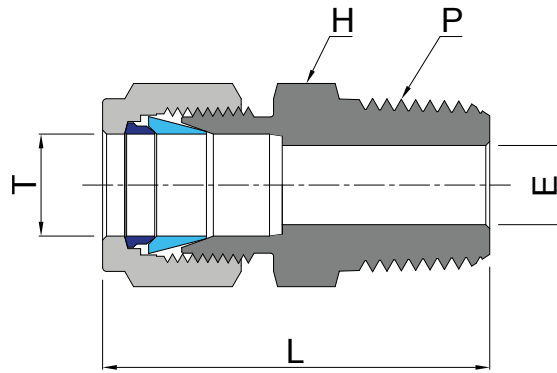
PART No.	TUBE OD, T	P NPT	E Min mm	H (Hex) inch	L mm
	inch				
P-6-4-DM	3/8"	1/4"	7.11	5/8"	39.87
P-6-6-DM	3/8"	3/8"	7.11	11/16"	39.87
P-6-8-DM	3/8"	1/2"	7.11	7/8"	46.22
P-6-12-DM	3/8"	3/4"	7.11	1" 1/16"	47.75
P-8-2-DM	1/2"	1/8"	10.41	13/16"	38.86
P-8-4-DM	1/2"	1/4"	10.41	13/16"	43.43
P-8-6-DM	1/2"	3/8"	10.41	13/16"	43.43
P-8-8-DM	1/2"	1/2"	10.41	7/8"	49.02
P-8-12-DM	1/2"	3/4"	10.41	1" 1/16"	50.54
P-8-16-DM	1/2"	1"	10.41	1" 3/8"	57.15
P-10-6-DM	5/8"	3/8"	12.70	15/16"	44.19
P-10-8-DM	5/8"	1/2"	12.70	15/16"	49.02
P-10-12-DM	5/8"	3/4"	12.70	1" 1/16"	50.54
P-12-4-DM	3/4"	1/4"	15.74	1" 1/16"	44.19
P-12-6-DM	3/4"	3/8"	15.74	1" 1/16"	45.72
P-12-8-DM	3/4"	1/2"	15.74	1" 1/16"	50.54
P-12-12-DM	3/4"	3/4"	15.74	1" 1/16"	50.54
P-12-16-DM	3/4"	1"	15.74	1" 3/8"	57.15
P-16-8-DM	1"	1/2"	22.35	1" 3/8"	57.40
P-16-12-DM	1"	3/4"	22.35	1" 3/8"	57.40
P-16-16-DM	1"	1"	22.35	1" 3/8"	62.23

Male connectors for thermocouple are available with full bore (suffix-FB) i.e. P-8-8-DM-L-FB

DOUBLE FERRULE COMPRESSION FITTINGS

MALE CONNECTOR DM (FRACTIONAL TUBING X BSPT THREAD)

bulk



DM SERIES

PART No.	TUBE OD, T	P	E Min	H (Hex)	L
	inch				
P-1-1-J-DM	1/16"	1/16"	1.27	5/16"	23.83
P-1-2-J-DM	1/16"	1/8"	1.27	7/16"	26.16
P-1-4-J-DM	1/16"	1/4"	1.27	9/16"	30.98
P-2-1-J-DM	1/8"	1/16"	2.28	7/16"	29.71
P-2-2-J-DM	1/8"	1/8"	2.28	7/16"	30.48
P-2-4-J-DM	1/8"	1/4"	2.28	9/16"	35.56
P-3-2-J-DM	3/16"	1/8"	3.04	7/16"	31.24
P-3-4-J-DM	3/16"	1/4"	3.04	9/16"	36.32
P-3-6-J-DM	3/16"	3/8"	3.04	11/16"	37.54
P-4-1-J-DM	1/4"	1/16"	4.82	1/2"	32.76
P-4-2-J-DM	1/4"	1/8"	4.82	1/2"	32.76
P-4-4-J-DM	1/4"	1/4"	4.82	9/16"	37.84
P-4-6-J-DM	1/4"	3/8"	4.82	11/16"	38.35
P-4-8-J-DM	1/4"	1/2"	4.82	7/8"	44.70
P-4-12-J-DM	1/4"	3/4"	4.82	1" 1/16"	46.22
P-5-2-J-DM	5/16"	1/8"	6.35	9/16"	34.03
P-5-4-J-DM	5/16"	1/4"	6.35	9/16"	38.60
P-5-6-J-DM	5/16"	3/8"	6.35	11/16"	39.11
P-5-8-J-DM	5/16"	1/2"	6.35	7/8"	45.60
P-5-12-J-DM	5/16"	3/4"	6.35	1" 1/16"	46.99
P-6-2-J-DM	3/8"	1/8"	7.11	5/8"	35.30

PART No.	TUBE OD, T	P	E Min	H (Hex)	L
	inch				
P-6-4-J-DM	3/8"	1/4"	7.11	5/8"	39.87
P-6-6-J-DM	3/8"	3/8"	7.11	11/16"	39.87
P-6-8-J-DM	3/8"	1/2"	7.11	7/8"	46.22
P-6-12-J-DM	3/8"	3/4"	7.11	1" 1/16"	47.75
P-8-2-J-DM	1/2"	1/8"	10.41	13/16"	38.86
P-8-4-J-DM	1/2"	1/4"	10.41	13/16"	43.43
P-8-6-J-DM	1/2"	3/8"	10.41	13/16"	43.43
P-8-8-J-DM	1/2"	1/2"	10.41	7/8"	49.02
P-8-12-J-DM	1/2"	3/4"	10.41	1" 1/16"	50.54
P-8-16-J-DM	1/2"	1"	10.41	1" 3/8"	57.15
P-10-6-J-DM	5/8"	3/8"	12.70	15/16"	44.19
P-10-8-J-DM	5/8"	1/2"	12.70	15/16"	49.02
P-10-12-J-DM	5/8"	3/4"	12.70	1" 1/16"	50.54
P-12-4-J-DM	3/4"	1/4"	15.74	1" 1/16"	44.19
P-12-6-J-DM	3/4"	3/8"	15.74	1" 1/16"	45.72
P-12-8-J-DM	3/4"	1/2"	15.74	1" 1/16"	50.54
P-12-12-J-DM	3/4"	3/4"	15.74	1" 1/16"	50.54
P-12-16-J-DM	3/4"	1"	15.74	1" 3/8"	57.15
P-16-8-J-DM	1"	1/2"	22.35	1" 3/8"	57.40
P-16-12-J-DM	1"	3/4"	22.35	1" 3/8"	57.40
P-16-16-J-DM	1"	1"	22.35	1" 3/8"	62.23

Male connectors for thermocouple are available with full bore (suffix-FB) i.e. P-8-8-J-DM-L-FB

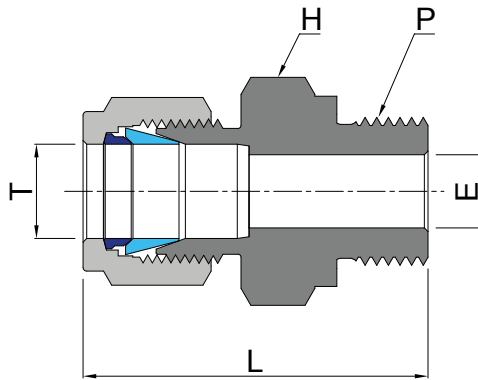
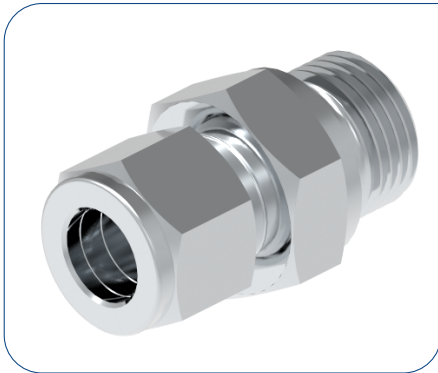


bulk

DOUBLE FERRULE COMPRESSION FITTINGS

MALE CONNECTOR DM (FRACTIONAL TUBING X BSPP THREAD)

DM SERIES



PART No.	TUBE OD, T	P BSPP	E Min mm	H (Hex) inch	L mm
	inch				
P-1-1-K-DM	1/16"	1/16"	1.27	7/16"	19.05
P-1-2-K-DM	1/16"	1/8"	1.27	9/16"	25.65
P-1-4-K-DM	1/16"	1/4"	1.27	3/4"	30.99
P-2-1-K-DM	1/8"	1/16"	2.28	7/16"	23.62
P-2-2-K-DM	1/8"	1/8"	2.28	9/16"	29.97
P-2-4-K-DM	1/8"	1/4"	2.28	3/4"	35.31
P-3-2-K-DM	3/16"	1/8"	3.04	9/16"	30.73
P-3-4-K-DM	3/16"	1/4"	3.04	3/4"	36.07
P-3-6-K-DM	3/16"	3/8"	3.04	7/8"	36.97
P-4-1-K-DM	1/4"	1/16"	4.82	1/2"	26.47
P-4-2-K-DM	1/4"	1/8"	4.82	9/16"	32.26
P-4-4-K-DM	1/4"	1/4"	4.82	3/4"	37.59
P-4-6-K-DM	1/4"	3/8"	4.82	7/8"	38.86
P-4-8-K-DM	1/4"	1/2"	4.82	1" 1/16"	44.70
P-4-12-K-DM	1/4"	3/4"	4.82	1" 3/8"	48.77
P-5-2-K-DM	5/16"	1/8"	6.35	9/16"	33.02
P-5-4-K-DM	5/16"	1/4"	6.35	3/4"	38.36
P-5-6-K-DM	5/16"	3/8"	6.35	7/8"	39.63
P-5-8-K-DM	5/16"	1/2"	6.35	1" 1/16"	45.47
P-5-12-K-DM	5/16"	3/4"	6.35	1" 3/8"	49.53
P-6-2-K-DM	3/8"	1/8"	7.11	5/8"	33.77

PART No.	TUBE OD, T	P BSPP	E Min mm	H (Hex) inch	L mm
	inch				
P-6-4-K-DM	3/8"	1/4"	7.11	3/4"	39.12
P-6-6-K-DM	3/8"	3/8"	7.11	7/8"	40.39
P-6-8-K-DM	3/8"	1/2"	7.11	1" 1/16"	46.23
P-6-12-K-DM	3/8"	3/4"	7.11	1" 3/8"	50.29
P-8-2-K-DM	1/2"	1/8"	10.41	13/16"	38.60
P-8-4-K-DM	1/2"	1/4"	10.41	13/16"	42.67
P-8-6-K-DM	1/2"	3/8"	10.41	7/8"	43.18
P-8-8-K-DM	1/2"	1/2"	10.41	1" 1/16"	49.02
P-8-12-K-DM	1/2"	3/4"	10.41	1" 3/8"	52.83
P-8-16-K-DM	1/2"	1"	10.41	1" 3/8"	52.83
P-10-6-K-DM	5/8"	3/8"	12.70	15/16"	43.18
P-10-8-K-DM	5/8"	1/2"	12.70	1" 1/16"	49.02
P-10-12-K-DM	5/8"	3/4"	12.70	1" 3/8"	52.83
P-12-4-K-DM	3/4"	1/4"	15.74	1" 1/16"	45.98
P-12-6-K-DM	3/4"	3/8"	15.74	1" 1/16"	45.98
P-12-8-K-DM	3/4"	1/2"	15.74	1" 1/16"	49.02
P-12-12-K-DM	3/4"	3/4"	15.74	1" 3/8"	52.83
P-12-16-K-DM	3/4"	1"	15.74	1" 5/8"	55.37
P-16-8-K-DM	1"	1/2"	22.35	1" 3/8"	55.88
P-16-12-K-DM	1"	3/4"	22.35	1" 3/8"	55.88
P-16-16-K-DM	1"	1"	22.35	1" 5/8"	59.94

Male connectors for thermocouple are available with full bore (suffix-FB) i.e. P-8-8-K-DM-L-FB