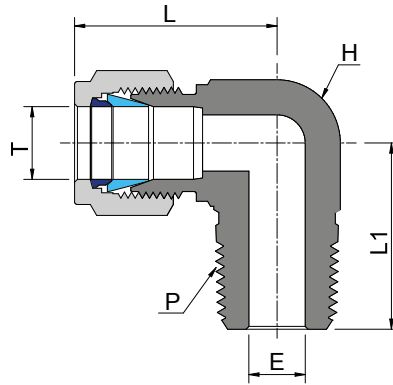


DOUBLE FERRULE COMPRESSION FITTINGS

MALE ELBOW GM (METRIC TUBING X NPT THREAD)

bulk



GM SERIES

PART No.	TUBE	P	E	H (Hex)	L	L1
	OD, T					
	mm	NPT	mm	mm	mm	mm
M-2-2-GM	2	1/8"	1.7	11	19.1	17.8
M-2-4-GM	2	1/4"	1.7	11	19.1	23.4
M-3-2-GM	3	1/8"	2.4	13	23.6	18.8
M-3-4-GM	3	1/4"	2.4	13	23.4	23.4
M-4-2-GM	4	1/8"	2.4	13	25.4	18.8
M-4-4-GM	4	1/4"	2.4	13	25.4	23.4
M-6-2-GM	6	1/8"	4.8	13	27.0	18.8
M-6-4-GM	6	1/4"	4.8	13	27.0	23.4
M-6-6-GM	6	3/8"	4.8	18	29.8	26.2
M-6-8-GM	6	1/2"	4.8	21	31.8	33.0
M-8-2-GM	8	1/8"	6.4	15	28.8	19.8
M-8-4-GM	8	1/4"	6.4	15	28.8	24.4
M-8-6-GM	8	3/8"	6.4	18	30.6	26.2
M-8-8-GM	8	1/2"	6.4	21	32.6	33.0
M-10-2-GM	10	1/8"	7.9	18	31.5	23.6
M-10-4-GM	10	1/4"	7.9	18	31.5	26.2
M-10-6-GM	10	3/8"	7.9	18	31.5	26.2
M-10-8-GM	10	1/2"	7.9	21	33.5	33.0
M-10-12-GM	10	3/4"	7.9	27	37.3	36.8
M-12-4-GM	12	1/4"	9.5	21	36.0	28.2
M-12-6-GM	12	3/8"	9.5	21	36.0	28.2
M-12-8-GM	12	1/2"	9.5	21	36.0	33.0
M-12-12-GM	12	3/4"	9.5	27	39.8	36.8
M-12-16-GM	12	1"	9.5	35	44.6	41.7
M-14-4-GM	14	1/4"	12.7	24	38.0	30.2
M-14-6-GM	14	3/8"	12.7	24	38.0	30.2
M-14-8-GM	14	1/2"	12.7	24	38.0	35.1

PART No.	TUBE	P	E	H (Hex)	L	L1
	OD, T					
	mm	NPT	mm	mm	mm	mm
M-14-12-GM	14	3/4"	12.7	27	39.8	36.8
M-14-16-GM	14	1"	12.7	35	44.6	41.7
M-15-4-GM	15	1/4"	12.7	24	38.0	30.2
M-15-6-GM	15	3/8"	12.7	24	38.0	30.2
M-15-8-GM	15	1/2"	12.7	24	38.0	35.1
M-15-12-GM	15	3/4"	12.7	27	39.8	36.8
M-15-16-GM	15	1"	12.7	35	44.6	41.7
M-16-4-GM	16	1/4"	12.7	24	38.0	30.2
M-16-6-GM	16	3/8"	12.7	24	38.0	30.2
M-16-8-GM	16	1/2"	12.7	24	38.0	35.1
M-16-12-GM	16	3/4"	12.7	27	39.8	36.8
M-16-16-GM	16	1"	12.7	35	44.6	41.7
M-18-4-GM	18	1/4"	15.1	27	39.8	32.0
M-18-6-GM	18	3/8"	15.1	27	39.8	32.0
M-18-8-GM	18	1/2"	15.1	27	39.8	36.8
M-18-12-GM	18	3/4"	15.1	27	39.8	36.8
M-18-16-GM	18	1"	15.1	35	44.6	46.5
M-20-8-GM	20	1/2"	15.9	35	44.6	41.7
M-20-12-GM	20	3/4"	15.9	35	44.6	41.7
M-20-16-GM	20	1"	15.9	35	44.6	46.5
M-22-8-GM	22	1/2"	18.3	35	44.6	39.6
M-22-12-GM	22	3/4"	18.3	35	44.6	41.7
M-22-16-GM	22	1"	18.3	35	44.6	46.5
M-25-8-GM	25	1/2"	21.8	35	49.1	41.7
M-25-12-GM	25	3/4"	21.8	35	49.1	41.7
M-25-16-GM	25	1"	21.8	35	49.1	46.5

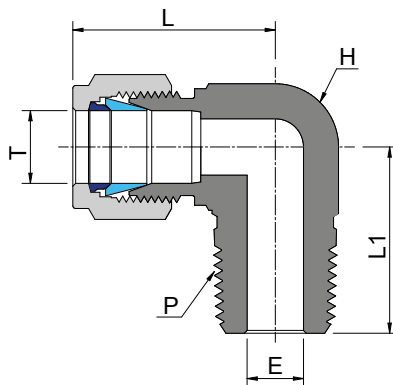


bulk

DOUBLE FERRULE COMPRESSION FITTINGS

MALE ELBOW GM (METRIC TUBING X BSPT THREAD)

GM SERIES



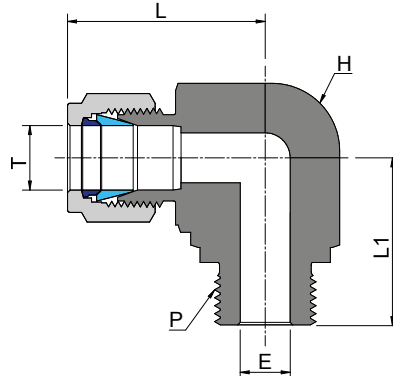
PART No.	TUBE OD, T	P BSPT	E mm	H (Hex) mm	L mm	L1 mm
	mm					
M-2-2-J-GM	2	1/8"	1.7	11	19.1	17.8
M-2-4-J-GM	2	1/4"	1.7	11	19.1	23.4
M-3-2-J-GM	3	1/8"	2.4	13	23.6	18.8
M-3-4-J-GM	3	1/4"	2.4	13	23.4	23.4
M-4-2-J-GM	4	1/8"	2.4	13	25.4	18.8
M-4-4-J-GM	4	1/4"	2.4	13	25.4	23.4
M-6-2-J-GM	6	1/8"	4.8	13	27.0	18.8
M-6-4-J-GM	6	1/4"	4.8	13	27.0	23.4
M-6-6-J-GM	6	3/8"	4.8	17	29.8	26.2
M-6-8-J-GM	6	1/2"	4.8	21	31.8	33.0
M-8-2-J-GM	8	1/8"	6.4	15	28.8	19.8
M-8-4-J-GM	8	1/4"	6.4	15	28.8	24.4
M-8-6-J-GM	8	3/8"	6.4	18	30.6	26.2
M-8-8-J-GM	8	1/2"	6.4	21	32.6	33.0
M-10-2-J-GM	10	1/8"	7.9	18	31.5	23.6
M-10-4-J-GM	10	1/4"	7.9	18	31.5	26.2
M-10-6-J-GM	10	3/8"	7.9	18	31.5	26.2
M-10-8-J-GM	10	1/2"	7.9	21	33.5	33.0
M-10-12-J-GM	10	3/4"	7.9	27	37.3	36.8
M-12-4-J-GM	12	1/4"	9.5	21	36.0	28.2
M-12-6-J-GM	12	3/8"	9.5	21	36.0	28.2
M-12-8-J-GM	12	1/2"	9.5	21	36.0	33.0
M-12-12-J-GM	12	3/4"	9.5	27	39.8	36.8
M-12-16-J-GM	12	1"	9.5	35	44.6	41.7
M-14-4-J-GM	14	1/4"	12.7	24	38.0	30.2
M-14-6-J-GM	14	3/8"	12.7	24	38.0	30.2
M-14-8-J-GM	14	1/2"	12.7	24	38.0	35.1

PART No.	TUBE OD, T	P BSPT	E mm	H (Hex) mm	L mm	L1 mm
	mm					
M-14-12-J-GM	14	3/4"	12.7	27	39.8	36.8
M-14-16-J-GM	14	1"	12.7	35	44.6	41.7
M-15-4-J-GM	15	1/4"	12.7	24	38.0	30.2
M-15-6-J-GM	15	3/8"	12.7	24	38.0	30.2
M-15-8-J-GM	15	1/2"	12.7	24	38.0	35.1
M-15-12-J-GM	15	3/4"	12.7	27	39.8	36.8
M-15-16-J-GM	15	1"	12.7	35	44.6	41.7
M-16-4-J-GM	16	1/4"	12.7	24	38.0	30.2
M-16-6-J-GM	16	3/8"	12.7	24	38.0	30.2
M-16-8-J-GM	16	1/2"	12.7	24	38.0	35.1
M-16-12-J-GM	16	3/4"	12.7	27	39.8	36.8
M-16-16-J-GM	16	1"	12.7	35	44.6	41.7
M-18-4-J-GM	18	1/4"	15.1	27	39.8	32
M-18-6-J-GM	18	3/8"	15.1	27	39.8	32
M-18-8-J-GM	18	1/2"	15.1	27	39.8	36.8
M-18-12-J-GM	18	3/4"	15.1	27	39.8	36.8
M-18-16-J-GM	18	1"	15.1	35	44.6	46.5
M-20-8-J-GM	20	1/2"	15.9	35	44.6	41.7
M-20-12-J-GM	20	3/4"	15.9	35	44.6	41.7
M-20-16-J-GM	20	1"	15.9	35	44.6	46.5
M-22-8-J-GM	22	1/2"	18.3	35	44.6	39.6
M-22-12-J-GM	22	3/4"	18.3	35	44.6	41.7
M-22-16-J-GM	22	1"	18.3	35	44.6	46.5
M-25-8-J-GM	25	1/2"	21.8	35	49.1	41.7
M-25-12-J-GM	25	3/4"	21.8	35	49.1	41.7
M-25-16-J-GM	25	1"	21.8	35	49.1	46.5

DOUBLE FERRULE COMPRESSION FITTINGS

MALE ELBOW GM (METRIC TUBING X BSPP THREAD)

bulk



GM SERIES

PART No.	TUBE	P	E	H (Hex)	L	L1
	OD, T					
M-2-2-K-GM	2	1/8"	1.7	15	25.5	18.8
M-2-4-K-GM	2	1/4"	1.7	21	29.4	18.8
M-3-2-K-GM	3	1/8"	2.4	15	25.5	18.8
M-3-4-K-GM	3	1/4"	2.4	21	29.4	18.8
M-4-2-K-GM	4	1/8"	2.4	15	26.3	26.2
M-4-4-K-GM	4	1/4"	2.4	21	30.2	24.3
M-6-2-K-GM	6	1/8"	4.8	15	27.9	24.3
M-6-4-K-GM	6	1/4"	4.8	21	31.8	24.3
M-6-6-K-GM	6	3/8"	4.8	24	33.7	24.3
M-6-8-K-GM	6	1/2"	4.8	27	35.5	19.8
M-8-2-K-GM	8	1/8"	6.4	18	30.6	24.3
M-8-4-K-GM	8	1/4"	6.4	21	32.6	23.9
M-8-6-K-GM	8	3/8"	6.4	24	34.6	28.5
M-8-8-K-GM	8	1/2"	6.4	27	36.4	28.5
M-10-2-K-GM	10	1/8"	7.9	21	33.6	30.6
M-10-4-K-GM	10	1/4"	7.9	21	33.6	30.6
M-10-6-K-GM	10	3/8"	7.9	24	35.5	30.6
M-10-8-K-GM	10	1/2"	7.9	27	37.3	35.1
M-10-12-K-GM	10	3/4"	7.9	35	42.1	35.1
M-12-4-K-GM	12	1/4"	9.5	24	38.0	35.1
M-12-6-K-GM	12	3/8"	9.5	24	38.0	35.1
M-12-8-K-GM	12	1/2"	9.5	27	39.8	32.4
M-12-12-K-GM	12	3/4"	9.5	35	44.6	32.4
M-12-16-K-GM	12	1"	9.5	43	49.4	35.1
M-14-4-K-GM	14	1/4"	12.7	27	39.8	32.4
M-14-6-K-GM	14	3/8"	12.7	27	39.8	32.4
M-14-8-K-GM	14	1/2"	12.7	27	39.8	35.1

PART No.	TUBE	P	E	H (Hex)	L	L1
	OD, T					
M-14-12-K-GM	14	3/4"	12.7	35	44.6	32.4
M-14-16-K-GM	14	1"	12.7	43	49.4	32.4
M-15-4-K-GM	15	1/4"	12.7	27	39.8	35.1
M-15-6-K-GM	15	3/8"	12.7	27	39.8	32.4
M-15-8-K-GM	15	1/2"	12.7	27	39.8	32.4
M-15-12-K-GM	15	3/4"	12.7	35	44.6	35.1
M-15-16-K-GM	15	1"	12.7	43	49.4	35.1
M-16-4-K-GM	16	1/4"	12.7	27	39.8	35.1
M-16-6-K-GM	16	3/8"	12.7	27	39.8	41.9
M-16-8-K-GM	16	1/2"	12.7	27	39.8	41.9
M-16-12-K-GM	16	3/4"	12.7	35	44.6	41.9
M-16-16-K-GM	16	1"	12.7	43	49.4	41.9
M-18-4-K-GM	18	1/4"	15.1	27	39.8	41.9
M-18-6-K-GM	18	3/8"	15.1	27	39.8	41.9
M-18-8-K-GM	18	1/2"	15.1	27	39.8	41.9
M-18-12-K-GM	18	3/4"	15.1	35	44.6	41.9
M-18-16-K-GM	18	1"	15.1	43	49.4	39.9
M-20-8-K-GM	20	1/2"	15.9	27	39.8	41.9
M-20-12-K-GM	20	3/4"	15.9	35	44.6	49.3
M-20-16-K-GM	20	1"	15.9	43	49.4	49.3
M-22-8-K-GM	22	1/2"	18.3	27	39.8	49.3
M-22-12-K-GM	22	3/4"	18.3	35	44.6	49.3
M-22-16-K-GM	22	1"	18.3	43	49.4	49.3
M-25-8-K-GM	25	1/2"	21.8	35	49.1	49.3
M-25-12-K-GM	25	3/4"	21.8	35	49.1	49.3
M-25-16-K-GM	25	1"	21.8	43	53.9	49.3

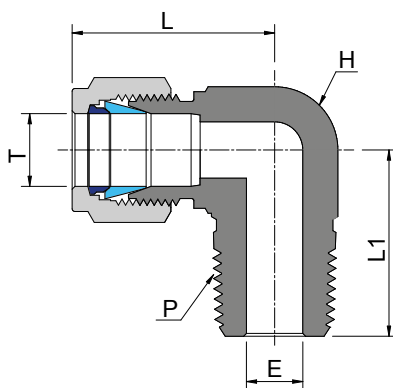


bulk

DOUBLE FERRULE COMPRESSION FITTINGS

MALE ELBOW GM (FRACTIONAL TUBING X NPT THREAD)

GM SERIES



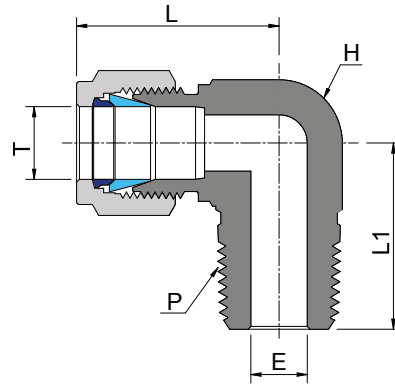
PART No.	TUBE OD, T	P	E	H (Hex)	H (Hex)	L	L1
	inch						
P-1-1-GM	1/16"	1/16"	1.27	11.11	7/16"	19.05	17.78
P-1-2-GM	1/16"	1/8"	1.27	11.11	7/16"	19.05	17.78
P-1-4-GM	1/16"	1/4"	1.27	12.70	1/2"	20.59	23.26
P-2-1-GM	1/8"	1/16"	2.28	11.11	7/16"	23.63	17.78
P-2-2-GM	1/8"	1/8"	2.28	12.70	1/2"	24.91	18.90
P-2-4-GM	1/8"	1/4"	2.28	12.70	1/2"	24.91	23.26
P-3-2-GM	3/16"	1/8"	3.04	12.70	1/2"	25.40	18.79
P-3-4-GM	3/16"	1/4"	3.04	12.70	1/2"	25.40	23.36
P-3-6-GM	3/16"	3/8"	3.04	17.46	11/16"	27.93	26.20
P-4-1-GM	1/4"	1/16"	4.82	12.70	1/2"	26.90	18.79
P-4-2-GM	1/4"	1/8"	4.82	12.70	1/2"	26.47	18.79
P-4-4-GM	1/4"	1/4"	4.82	12.70	1/2"	27.18	23.87
P-4-6-GM	1/4"	3/8"	4.82	17.46	11/16"	29.71	26.20
P-4-8-GM	1/4"	1/2"	4.82	20.64	13/16"	31.97	33.02
P-4-12-GM	1/4"	3/4"	4.82	26.98	1" 1/16"	35.56	36.83
P-5-2-GM	5/16"	1/8"	6.35	14.28	9/16"	28.70	19.81
P-5-4-GM	5/16"	1/4"	6.35	14.28	9/16"	29.77	24.50
P-5-6-GM	5/16"	3/8"	6.35	17.46	11/16"	30.48	26.20
P-5-8-GM	5/16"	1/2"	6.35	20.64	13/16"	30.66	33.02
P-5-12-GM	5/16"	3/4"	6.35	26.98	1" 1/16"	36.32	36.83
P-6-2-GM	3/8"	1/8"	7.11	15.87	5/8"	30.48	20.60

PART No.	TUBE OD, T	P	E	H (Hex)	H (Hex)	L	L1
	inch						
P-6-4-GM	3/8"	1/4"	7.11	15.87	5/8"	30.48	25.40
P-6-6-GM	3/8"	3/8"	7.11	17.46	11/16"	31.24	26.20
P-6-8-GM	3/8"	1/2"	7.11	20.64	13/16"	31.42	33.02
P-6-12-GM	3/8"	3/4"	7.11	26.98	1" 1/16"	37.08	36.83
P-8-2-GM	1/2"	1/8"	10.41	20.64	13/16"	36.06	23.87
P-8-4-GM	1/2"	1/4"	10.41	20.64	13/16"	36.06	28.30
P-8-6-GM	1/2"	3/8"	10.41	20.64	13/16"	36.06	28.30
P-8-8-GM	1/2"	1/2"	10.41	20.64	13/16"	36.06	33.02
P-8-12-GM	1/2"	3/4"	10.41	26.98	1" 1/16"	39.87	36.83
P-8-16-GM	1/2"	1"	10.41	34.92	1" 3/8"	44.45	46.70
P-10-6-GM	5/8"	3/8"	12.70	23.81	15/16"	37.06	30.22
P-10-8-GM	5/8"	1/2"	12.70	23.81	15/16"	37.06	35.10
P-10-12-GM	5/8"	3/4"	12.70	26.98	1" 1/16"	39.87	36.83
P-12-4-GM	3/4"	1/4"	15.74	26.98	1" 1/16"	39.87	32.03
P-12-6-GM	3/4"	3/8"	15.74	26.98	1" 1/16"	39.87	32.03
P-12-8-GM	3/4"	1/2"	15.74	26.98	1" 1/16"	39.87	36.83
P-12-12-GM	3/4"	3/4"	15.74	26.98	1" 1/16"	39.87	36.83
P-12-16-GM	3/4"	1"	15.74	34.92	1" 3/8"	44.45	46.70
P-16-8-GM	1"	1/2"	22.35	34.92	1" 3/8"	49.02	42.20
P-16-12-GM	1"	3/4"	22.35	34.92	1" 3/8"	49.02	42.20
P-16-16-GM	1"	1"	22.35	34.92	1" 3/8"	49.02	46.70

DOUBLE FERRULE COMPRESSION FITTINGS

MALE ELBOW GM (FRACTIONAL TUBING X BSPT THREAD)

bulk



GM SERIES

PART No.	TUBE	P	E	H (Hex)	H (Hex)	L	L1
	OD, T						
	inch	BSPT	mm	mm	inch	mm	mm
P-1-1-J-GM	1/16"	1/16"	1.27	11.11	7/16"	19.05	17.78
P-1-2-J-GM	1/16"	1/8"	1.27	11.11	7/16"	19.05	17.78
P-1-4-J-GM	1/16"	1/4"	1.27	12.70	1/2"	20.59	23.26
P-2-1-J-GM	1/8"	1/16"	2.28	11.11	7/16"	23.63	17.78
P-2-2-J-GM	1/8"	1/8"	2.28	12.70	1/2"	24.91	18.90
P-2-4-J-GM	1/8"	1/4"	2.28	12.70	1/2"	24.91	23.26
P-3-2-J-GM	3/16"	1/8"	3.04	12.70	1/2"	25.40	18.79
P-3-4-J-GM	3/16"	1/4"	3.04	12.70	1/2"	25.40	23.36
P-3-6-J-GM	3/16"	3/8"	3.04	17.46	11/16"	27.93	26.20
P-4-1-J-GM	1/4"	1/16"	4.82	12.70	1/2"	26.90	18.79
P-4-2-J-GM	1/4"	1/8"	4.82	12.70	1/2"	26.47	18.79
P-4-4-J-GM	1/4"	1/4"	4.82	12.70	1/2"	27.18	23.87
P-4-6-J-GM	1/4"	3/8"	4.82	17.46	11/16"	29.71	26.20
P-4-8-J-GM	1/4"	1/2"	4.82	20.64	13/16"	31.97	33.02
P-4-12-J-GM	1/4"	3/4"	4.82	26.98	1" 1/16"	35.56	36.83
P-5-2-J-GM	5/16"	1/8"	6.35	14.28	9/16"	28.70	19.81
P-5-4-J-GM	5/16"	1/4"	6.35	14.28	9/16"	29.77	24.50
P-5-6-J-GM	5/16"	3/8"	6.35	17.46	11/16"	30.48	26.20
P-5-8-J-GM	5/16"	1/2"	6.35	20.64	13/16"	30.66	33.02
P-5-12-J-GM	5/16"	3/4"	6.35	26.98	1" 1/16"	36.32	36.83
P-6-2-J-GM	3/8"	1/8"	7.11	15.87	5/8"	30.48	20.60

PART No.	TUBE	P	E	H (Hex)	H (Hex)	L	L1
	OD, T						
	inch	BSPT	mm	mm	inch	mm	mm
P-6-4-J-GM	3/8"	1/4"	7.11	15.87	5/8"	30.48	25.40
P-6-6-J-GM	3/8"	3/8"	7.11	17.46	11/16"	31.24	26.20
P-6-8-J-GM	3/8"	1/2"	7.11	20.64	13/16"	31.42	33.02
P-6-12-J-GM	3/8"	3/4"	7.11	26.98	1" 1/16"	37.08	36.83
P-8-2-J-GM	1/2"	1/8"	10.41	20.64	13/16"	36.06	23.87
P-8-4-J-GM	1/2"	1/4"	10.41	20.64	13/16"	36.06	28.30
P-8-6-J-GM	1/2"	3/8"	10.41	20.64	13/16"	36.06	28.30
P-8-8-J-GM	1/2"	1/2"	10.41	20.64	13/16"	36.06	33.02
P-8-12-J-GM	1/2"	3/4"	10.41	26.98	1" 1/16"	39.87	36.83
P-8-16-J-GM	1/2"	1"	10.41	34.92	1" 3/8"	44.45	46.70
P-10-6-J-GM	5/8"	3/8"	12.70	23.81	15/16"	37.06	30.22
P-10-8-J-GM	5/8"	1/2"	12.70	23.81	15/16"	37.06	35.10
P-10-12-J-GM	5/8"	3/4"	12.70	26.98	1" 1/16"	39.87	36.83
P-12-4-J-GM	3/4"	1/4"	15.74	26.98	1" 1/16"	39.87	32.03
P-12-6-J-GM	3/4"	3/8"	15.74	26.98	1" 1/16"	39.87	32.03
P-12-8-J-GM	3/4"	1/2"	15.74	26.98	1" 1/16"	39.87	36.83
P-12-12-J-GM	3/4"	3/4"	15.74	26.98	1" 1/16"	39.87	36.83
P-12-16-J-GM	3/4"	1"	15.74	34.92	1" 3/8"	44.45	46.70
P-16-8-J-GM	1"	1/2"	22.35	34.92	1" 3/8"	49.02	42.20
P-16-12-J-GM	1"	3/4"	22.35	34.92	1" 3/8"	49.02	42.20
P-16-16-J-GM	1"	1"	22.35	34.92	1" 3/8"	49.02	46.70

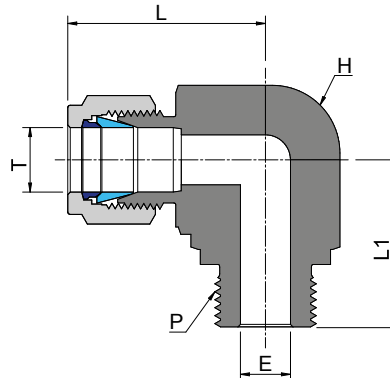
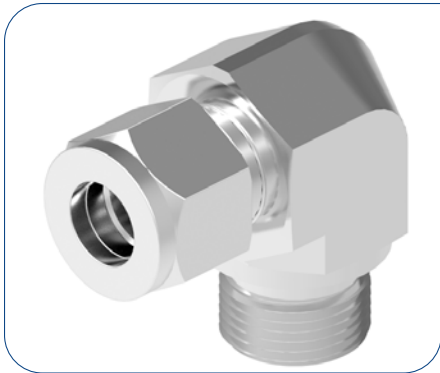


bulk

DOUBLE FERRULE COMPRESSION FITTINGS

MALE ELBOW GM (FRACTIONAL TUBING X BSPP THREAD)

GM SERIES



PART No.	TUBE OD, T	P	E	H (Hex)	H (Hex)	L	L1
	inch						
P-1-1-K-GM	1/16"	1/16"	1.27	11.11	7/16"	19.05	20.6
P-1-2-K-GM	1/16"	1/8"	1.27	14.28	9/16"	22.15	22.5
P-1-4-K-GM	1/16"	1/4"	1.27	20.64	13/16"	25.11	28.5
P-2-1-K-GM	1/8"	1/16"	2.28	11.11	7/16"	23.62	20.6
P-2-2-K-GM	1/8"	1/8"	2.28	14.28	9/16"	26.47	22.5
P-2-4-K-GM	1/8"	1/4"	2.28	20.64	13/16"	29.43	28.5
P-3-2-K-GM	3/16"	1/8"	3.04	15.87	5/8"	27.18	23.2
P-3-4-K-GM	3/16"	1/4"	3.04	20.64	13/16"	28.12	28.5
P-3-6-K-GM	3/16"	3/8"	3.04	23.81	7/8"	31.22	30.6
P-4-1-K-GM	1/4"	1/16"	4.82	12.70	1/2"	26.47	20.6
P-4-2-K-GM	1/4"	1/8"	4.82	14.28	9/16"	29.01	22.5
P-4-4-K-GM	1/4"	1/4"	4.82	20.64	13/16"	31.97	28.5
P-4-6-K-GM	1/4"	3/8"	4.82	23.81	7/8"	33.00	30.6
P-4-8-K-GM	1/4"	1/2"	4.82	26.98	1" 1/16	35.56	35.1
P-4-12-K-GM	1/4"	3/4"	4.82	34.92	1" 3/8	40.64	41.9
P-5-2-K-GM	5/16"	1/8"	6.35	15.87	5/8"	30.48	23.2
P-5-4-K-GM	5/16"	1/4"	6.35	20.64	13/16"	30.66	28.5
P-5-6-K-GM	5/16"	3/8"	6.35	23.81	7/8"	33.76	30.6
P-5-8-K-GM	5/16"	1/2"	6.35	26.98	1" 1/16	36.32	35.1
P-5-12-K-GM	5/16"	3/4"	6.35	34.92	1" 3/8	41.40	41.9
P-6-2-K-GM	3/8"	1/8"	7.11	15.87	5/8"	30.48	23.2

PART No.	TUBE OD, T	P	E	H (Hex)	H (Hex)	L	L1
	inch						
P-6-4-K-GM	3/8"	1/4"	7.11	20.64	13/16"	31.42	28.5
P-6-6-K-GM	3/8"	3/8"	7.11	23.81	7/8"	34.52	30.6
P-6-8-K-GM	3/8"	1/2"	7.11	26.98	1" 1/16	37.08	35.1
P-6-12-K-GM	3/8"	3/4"	7.11	34.92	1" 3/8	42.16	41.9
P-8-2-K-GM	1/2"	1/8"	10.41	15.87	5/8"	33.02	23.2
P-8-4-K-GM	1/2"	1/4"	10.41	20.64	13/16"	36.03	28.5
P-8-6-K-GM	1/2"	3/8"	10.41	23.81	7/8"	37.06	30.6
P-8-8-K-GM	1/2"	1/2"	10.41	26.98	1" 1/16	39.62	35.1
P-8-12-K-GM	1/2"	3/4"	10.41	34.92	1" 3/8	44.70	41.9
P-8-16-K-GM	1/2"	1"	10.41	42.86	1" 11/16	49.52	49.3
P-10-6-K-GM	5/8"	3/8"	12.70	23.81	7/8"	37.06	30.6
P-10-8-K-GM	5/8"	1/2"	12.70	26.98	1" 1/16	39.87	35.1
P-10-12-K-GM	5/8"	3/4"	12.70	34.92	1" 3/8	44.70	41.9
P-12-4-K-GM	3/4"	1/4"	15.74	26.98	1" 1/16	39.87	32.1
P-12-6-K-GM	3/4"	3/8"	15.74	26.98	1" 1/16	39.87	32.1
P-12-8-K-GM	3/4"	1/2"	15.74	26.98	1" 1/16	39.87	35.1
P-12-12-K-GM	3/4"	3/4"	15.74	34.92	1" 3/8	44.70	41.9
P-12-16-K-GM	3/4"	1"	15.74	42.86	1" 11/16	49.52	49.3
P-16-8-K-GM	1"	1/2"	22.35	34.92	1" 3/8	49.02	39.9
P-16-12-K-GM	1"	3/4"	22.35	34.92	1" 3/8	49.02	41.9
P-16-16-K-GM	1"	1"	22.35	42.86	1" 11/16	54.09	49.3