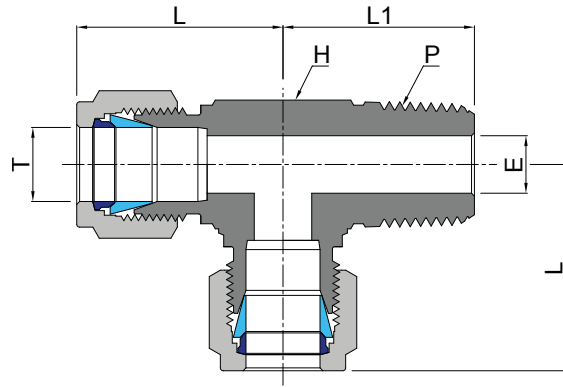


DOUBLE FERRULE COMPRESSION FITTINGS

MALE RUN TEE TML (METRIC TUBING X NPT THREAD)

bulk



TML SERIES

PART No.	TUBE OD, T	P	E	H (Hex)	L	L1
	mm					
M-3-2-TML	3	1/8"	2.4	12.70	23.6	17.8
M-3-4-TML	3	1/4"	2.4	12.70	24.6	23.4
M-6-2-TML	6	1/8"	4.8	12.70	27.0	18.8
M-6-4-TML	6	1/4"	4.8	14.20	27.0	23.4
M-6-6-TML	6	3/8"	4.8	17.50	29.8	26.2
M-6-8-TML	6	1/2"	4.8	20.60	31.8	33.0
M-8-2-TML	8	1/8"	6.4	14.30	28.8	19.8
M-8-4-TML	8	1/4"	6.4	14.30	28.8	24.4
M-8-6-TML	8	3/8"	6.4	17.50	30.6	26.2
M-8-8-TML	8	1/2"	6.4	20.60	32.6	33.0
M-10-2-TML	10	1/8"	7.9	17.50	31.5	23.6
M-10-4-TML	10	1/4"	7.9	17.50	31.5	26.2
M-10-6-TML	10	3/8"	7.9	17.50	31.5	26.2
M-10-8-TML	10	1/2"	7.9	20.60	33.5	33.0
M-10-12-TML	10	3/4"	7.9	26.98	37.3	36.8
M-12-4-TML	12	1/4"	9.5	20.60	36.0	28.2
M-12-6-TML	12	3/8"	9.5	20.60	36.0	28.2
M-12-8-TML	12	1/2"	9.5	20.60	36.0	33.0
M-12-12-TML	12	3/4"	9.5	27.00	39.8	36.8
M-12-16-TML	12	1"	9.5	34.92	44.6	46.5
M-14-4-TML	14	1/4"	12.7	23.81	38.1	29.4
M-14-6-TML	14	3/8"	12.7	23.81	38.1	29.4
M-14-8-TML	14	1/2"	12.7	23.81	38.1	34.0

PART No.	TUBE OD, T	P	E	H (Hex)	L	L1
	mm					
M-14-12-TML	14	3/4"	12.7	27.00	39.8	36.8
M-14-16-TML	14	1"	12.7	34.92	44.6	46.5
M-15-4-TML	15	1/4"	12.7	23.81	38.0	29.4
M-15-6-TML	15	3/8"	12.7	23.81	38.0	29.4
M-15-8-TML	15	1/2"	12.7	23.81	38.0	34.0
M-15-12-TML	15	3/4"	12.7	27.00	39.8	36.8
M-15-16-TML	15	1"	12.7	34.92	44.6	46.5
M-16-4-TML	16	1/4"	12.7	23.81	38.0	29.4
M-16-6-TML	16	3/8"	12.7	23.81	38.0	29.4
M-16-8-TML	16	1/2"	12.7	23.81	38.0	34.0
M-16-12-TML	16	3/4"	12.7	27.00	39.8	36.8
M-16-16-TML	16	1"	12.7	34.92	44.6	46.5
M-18-4-TML	18	1/4"	15.1	27.00	39.8	32.0
M-18-6-TML	18	3/8"	15.1	27.00	39.8	32.0
M-18-8-TML	18	1/2"	15.1	27.00	39.8	36.8
M-18-12-TML	18	3/4"	15.1	27.00	39.8	36.8
M-18-16-TML	18	1"	15.1	34.90	44.6	46.5
M-20-8-TML	20	1/2"	15.9	34.90	44.6	41.7
M-20-12-TML	20	3/4"	15.9	34.90	44.6	41.7
M-20-16-TML	20	1"	15.9	34.90	44.6	46.5
M-22-8-TML	22	1/2"	18.3	34.90	44.6	41.7
M-22-12-TML	22	3/4"	18.3	34.90	44.6	41.7
M-22-16-TML	22	1"	18.3	34.90	44.6	46.5

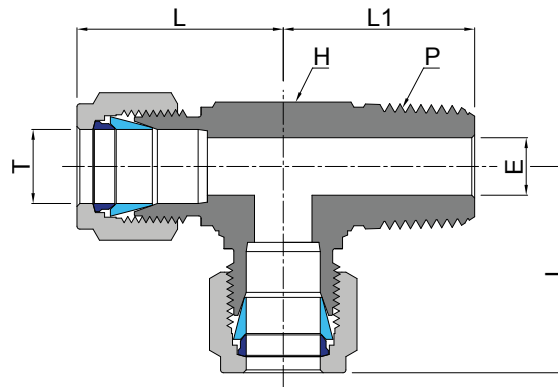


bulk

DOUBLE FERRULE COMPRESSION FITTINGS

MALE RUN TEE TML (FRACTIONAL TUBING X NPT THREAD)

TML SERIES



PART No.	TUBE	P	E	H (Hex)	L	L1
	OD, T					
	inch	NPT	mm	inch	mm	mm
P-1-1-TML	1/16"	1/16"	1.27	7/16"	19.05	17.78
P-1-2-TML	1/16"	1/8"	1.27	7/16"	19.05	17.78
P-1-4-TML	1/16"	1/4"	1.27	1/2"	20.59	23.40
P-2-1-TML	1/8"	1/16"	2.28	7/16"	23.63	17.78
P-2-2-TML	1/8"	1/8"	2.28	1/2"	24.91	18.90
P-2-4-TML	1/8"	1/4"	2.28	1/2"	24.91	23.36
P-3-2-TML	3/16"	1/8"	3.04	1/2"	24.38	18.79
P-3-4-TML	3/16"	1/4"	3.04	1/2"	25.40	23.36
P-3-6-TML	3/16"	3/8"	3.04	11/16"	30.44	26.20
P-4-1-TML	1/4"	1/16"	3.04	1/2"	26.90	18.79
P-4-2-TML	1/4"	1/8"	4.82	1/2"	26.92	19.10
P-4-4-TML	1/4"	1/4"	4.82	1/2"	27.08	23.87
P-4-6-TML	1/4"	3/8"	4.82	11/16"	29.71	28.40
P-4-8-TML	1/4"	1/2"	4.82	13/16"	31.97	35.10
P-4-12-TML	1/4"	3/4"	4.82	1" 1/16"	37.07	36.80
P-6-2-TML	3/8"	1/8"	7.11	5/8"	30.48	25.40
P-6-4-TML	3/8"	1/4"	7.11	5/8"	30.48	25.40
P-6-6-TML	3/8"	3/8"	7.11	11/16"	31.24	28.44
P-6-8-TML	3/8"	1/2"	7.11	13/16"	33.27	33.02

PART No.	TUBE	P	E	H (Hex)	L	L1
	OD, T					
	inch	NPT	mm	inch	mm	mm
P-6-12-TML	3/8"	3/4"	7.11	1" 1/16"	37.08	36.83
P-8-2-TML	1/2"	1/8"	10.41	13/16"	36.06	25.40
P-8-4-TML	1/2"	1/4"	10.41	13/16"	36.06	28.30
P-8-6-TML	1/2"	3/8"	10.41	13/16"	36.06	28.30
P-8-8-TML	1/2"	1/2"	10.41	13/16"	36.06	33.02
P-8-12-TML	1/2"	3/4"	10.41	1" 1/16"	39.87	36.83
P-8-16-TML	1/2"	1"	10.41	1" 3/8"	44.70	41.70
P-10-6-TML	5/8"	3/8"	12.70	15/16"	38.10	29.40
P-10-8-TML	5/8"	1/2"	12.70	15/16"	38.10	34.00
P-10-12-TML	5/8"	3/4"	12.70	1" 1/16"	39.87	36.83
P-12-4-TML	3/4"	1/4"	15.74	1" 1/16"	39.87	32.05
P-12-6-TML	3/4"	3/8"	15.74	1" 1/16"	39.87	32.05
P-12-8-TML	3/4"	1/2"	15.74	1" 1/16"	39.87	37.00
P-12-12-TML	3/4"	3/4"	15.74	1" 1/16"	39.87	36.83
P-12-16-TML	3/4"	1"	15.74	1" 3/8"	44.70	46.70
P-16-8-TML	1"	1/2"	22.35	1" 3/8"	49.02	41.60
P-16-12-TML	1"	3/4"	22.35	1" 3/8"	49.02	42.20
P-16-16-TML	1"	1"	22.35	1" 3/8"	49.02	46.70