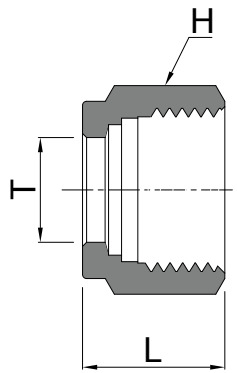
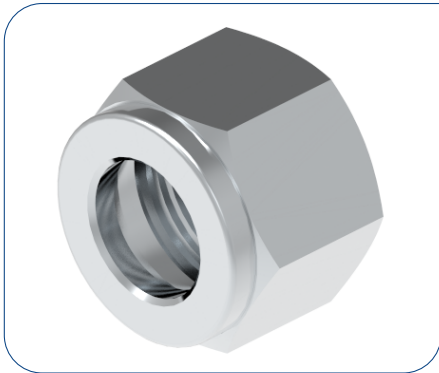


DOUBLE FERRULE COMPRESSION FITTINGS

NUT D (METRIC TUBING)

bulk



D SERIES

PART No.	TUBE OD, T	H (HEX)	L
	mm	mm	mm
M-2-D	2	12	11.9
M-3-D	3	12	11.9
M-4-D	4	12	11.9
M-6-D	6	14	12.7
M-8-D	8	16	13.5
M-10-D	10	19	15.1
M-12-D	12	22	17.4
M-14-D	14	25	17.4
M-15-D	15	25	17.4
M-16-D	16	25	17.4
M-18-D	18	30	17.4
M-20-D	20	32	17.4
M-22-D	22	32	17.4
M-25-D	25	38	20.6

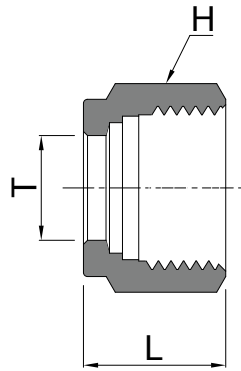
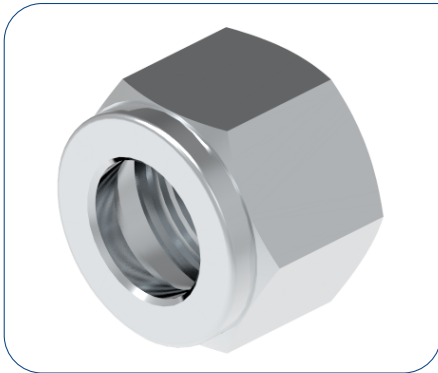


bulk

DOUBLE FERRULE COMPRESSION FITTINGS

NUT D (FRACTIONAL TUBING)

D SERIES



PART No.	TUBE OD, T	H (Hex)	H (Hex)	L
	inch	mm	inch	mm
P-1-D	1/16"	7.93	5/16"	7.90
P-2-D	1/8"	11.11	7/16"	11.93
P-3-D	3/16"	12.70	1/2"	11.93
P-4-D	1/4"	14.28	9/16"	12.70
P-5-D	5/16"	15.87	5/8"	13.46
P-6-D	3/8"	17.46	11/16"	14.22
P-8-D	1/2"	22.22	7/8"	17.52
P-10-D	5/8"	25.40	1"	17.52
P-12-D	3/4"	28.58	1" 1/8"	17.52
P-16-D	1"	38.10	1" 1/2"	20.57