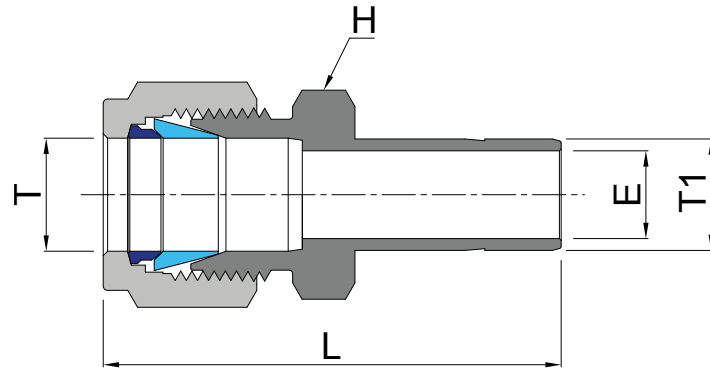


# DOUBLE FERRULE COMPRESSION FITTINGS

REDUCER R (METRIC TUBING)

bulk



R SERIES

PART No.	TUBE OD, T	TUBE OD, T1	E Min	H (Hex)	L
	mm	mm			
M-2-4-R	2	4	1.7	12	35.3
M-3-2-R	3	2	1.7	12	33.7
M-3-4-R	3	4	2.4	12	35.0
M-4-2-R	4	2	2.4	12	34.8
M-6-2-R	6	2	2.4	14	36.9
M-6-4-R	6	4	2.4	14	38.2
M-6-8-R	6	8	4.8	14	39.9
M-8-2-R	8	2	4.8	15	38.2
M-8-4-R	8	4	4.8	15	39.5
M-8-6-R	8	6	4.8	15	40.2
M-10-2-R	10	2	7.9	18	40.4
M-10-4-R	10	4	7.9	18	41.7
M-10-6-R	10	6	7.9	18	42.4
M-10-8-R	10	8	7.9	18	43.4
M-10-12-R	10	12	7.9	18	49.8
M-12-4-R	12	4	9.5	22	44.2
M-12-6-R	12	6	9.5	22	44.9
M-12-8-R	12	8	9.5	22	45.9
M-12-10-R	12	10	9.0	22	47.0
M-12-16-R	12	16	9.5	22	53.8
M-14-4-R	14	4	12.7	24	45.0
M-14-6-R	14	6	12.7	24	45.7
M-14-8-R	14	8	12.7	24	46.7
M-14-12-R	14	12	12.7	24	53.1

PART No.	TUBE OD, T	TUBE OD, T1	E Min	H (Hex)	L
	mm	mm			
M-14-16-R	14	16	12.7	24	54.6
M-15-4-R	15	4	12.7	24	45.0
M-15-6-R	15	6	12.7	24	45.7
M-15-8-R	15	8	12.7	24	46.7
M-15-12-R	15	12	12.7	24	53.1
M-15-16-R	15	16	12.7	24	54.6
M-16-4-R	16	4	12.7	24	45.0
M-16-6-R	16	6	12.7	24	45.7
M-16-8-R	16	8	12.7	24	46.7
M-16-12-R	16	12	12.7	24	53.0
M-18-4-R	18	4	15.1	27	46.5
M-18-6-R	18	6	15.1	27	47.2
M-18-8-R	18	8	15.1	27	48.2
M-18-12-R	18	12	15.1	27	54.6
M-18-16-R	18	16	15.1	27	56.1
M-20-8-R	20	8	15.9	30	49.7
M-20-12-R	20	12	15.9	30	56.1
M-20-16-R	20	16	15.9	30	57.9
M-22-8-R	22	8	18.3	30	49.7
M-22-12-R	22	12	18.3	30	56.1
M-22-16-R	22	16	18.3	30	57.6
M-25-8-R	25	8	21.8	35	55.1
M-25-12-R	25	12	21.8	35	61.5
M-25-16-R	25	16	21.8	35	63.0

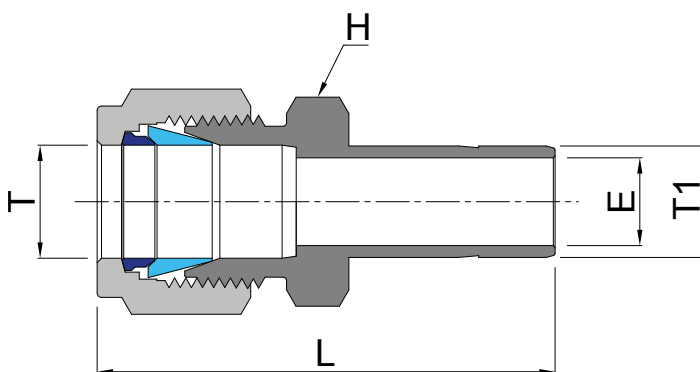


bulk

# DOUBLE FERRULE COMPRESSION FITTINGS

REDUCER R (FRACTIONAL TUBING)

R SERIES



PART No.	TUBE OD, T	TUBE OD, T1	E Min mm	H (Hex) inch	L mm
	inch	inch			
P-1-2-R	1/16"	1/8"	1.27	5/16"	29.21
P-1-4-R	1/16"	1/4"	1.27	5/16"	31.49
P-2-1-R	1/8"	1/16"	1.76	7/16"	28.95
P-2-4-R	1/8"	1/4"	2.28	7/16"	36.06
P-3-2-R	3/16"	1/8"	2.03	7/16"	34.79
P-3-4-R	3/16"	1/4"	3.04	7/16"	37.08
P-3-6-R	3/16"	3/8"	3.04	7/16"	38.68
P-4-1-R	1/4"	1/16"	1.76	1/2"	31.88
P-4-2-R	1/4"	1/8"	2.03	1/2"	36.83
P-4-6-R	1/4"	3/8"	4.82	1/2"	40.64
P-4-8-R	1/4"	1/2"	4.82	9/16"	46.22
P-4-12-R	1/4"	3/4"	4.82	13/16"	47.75
P-5-2-R	5/16"	1/8"	2.03	9/16"	38.06
P-5-4-R	5/16"	1/4"	3.04	9/16"	40.22
P-5-6-R	5/16"	3/8"	6.35	9/16"	41.91
P-5-8-R	5/16"	1/2"	6.35	9/16"	47.79
P-5-12-R	5/16"	3/4"	6.35	9/16"	48.96
P-6-2-R	3/8"	1/8"	2.03	5/8"	39.39

PART No.	TUBE OD, T	TUBE OD, T1	E Min mm	H (Hex) inch	L mm
	inch	inch			
P-6-4-R	3/8"	1/4"	4.82	5/8"	41.40
P-6-8-R	3/8"	1/2"	7.11	5/8"	48.51
P-6-12-R	3/8"	3/4"	7.11	13/16"	50.29
P-8-2-R	1/2"	1/8"	2.03	13/16"	42.94
P-8-4-R	1/2"	1/4"	4.82	13/16"	44.95
P-8-6-R	1/2"	3/8"	7.11	13/16"	46.73
P-8-12-R	1/2"	3/4"	10.41	13/16"	53.84
P-8-16-R	1/2"	1"	10.41	1" 1/16	60.19
P-10-6-R	5/8"	3/8"	7.11	15/16"	47.52
P-10-8-R	5/8"	1/2"	9.40	15/16"	53.10
P-10-12-R	5/8"	3/4"	12.70	15/16"	54.61
P-12-4-R	3/4"	1/4"	7.11	1" 1/16	47.29
P-12-6-R	3/4"	3/8"	7.11	1" 1/16	48.94
P-12-8-R	3/4"	1/2"	9.90	1" 1/16	54.61
P-12-16-R	3/4"	1"	15.74	1" 1/16	62.48
P-16-8-R	1"	1/2"	9.40	1" 3/8	61.40
P-16-12-R	1"	3/4"	12.70	1" 3/8	62.91