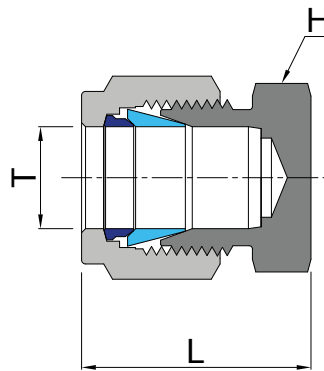
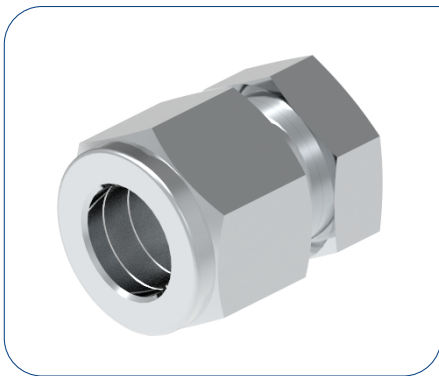


DOUBLE FERRULE COMPRESSION FITTINGS

TUBE END CLOSURE TT (METRIC TUBING)

bulk



TT SERIES

PART No.	TUBE OD, T	H (HEX)	L
	mm	mm	mm
M-2-TT	2	12	20.1
M-3-TT	3	12	20.1
M-4-TT	4	12	21.3
M-6-TT	6	14	23.1
M-8-TT	8	15	24.5
M-10-TT	10	18	26.6
M-12-TT	12	22	29.1
M-14-TT	14	24	29.9
M-15-TT	15	24	29.9
M-16-TT	16	24	29.9
M-18-TT	18	27	31.4
M-20-TT	20	30	34.0
M-22-TT	22	30	34.0
M-25-TT	25	35	38.5

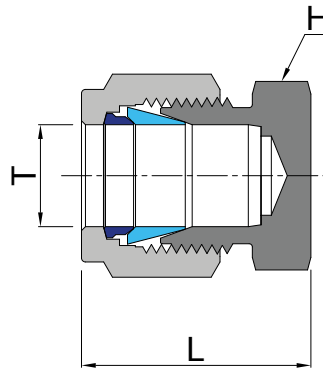
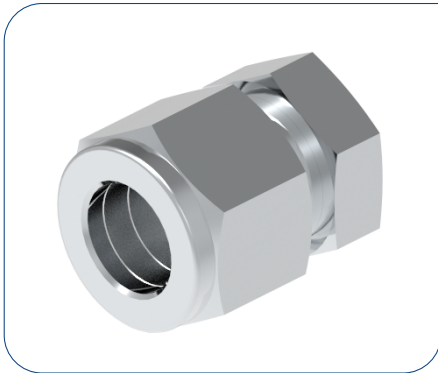


bulk

DOUBLE FERRULE COMPRESSION FITTINGS

TUBE END CLOSURE TT (FRACTIONAL TUBING)

TT SERIES



PART No.	TUBE OD, T	H (HEX)	L
	inch	inch	mm
P-1-TT	1/16"	5/16"	14.18
P-2-TT	1/8"	7/16"	20.06
P-3-TT	3/16"	7/16"	21.33
P-4-TT	1/4"	1/2"	23.26
P-5-TT	5/16"	9/16"	24.38
P-6-TT	3/8"	5/8"	25.65
P-8-TT	1/2"	13/16"	29.21
P-10-TT	5/8"	15/16"	29.97
P-12-TT	3/4"	1" 1/16	31.49
P-16-TT	1"	1" 3/8	38.35