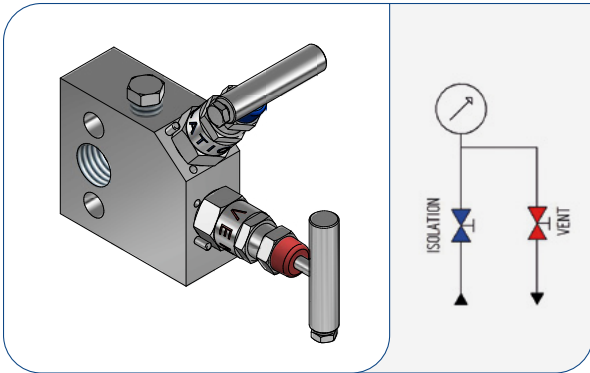


INSTRUMENT MANIFOLDS

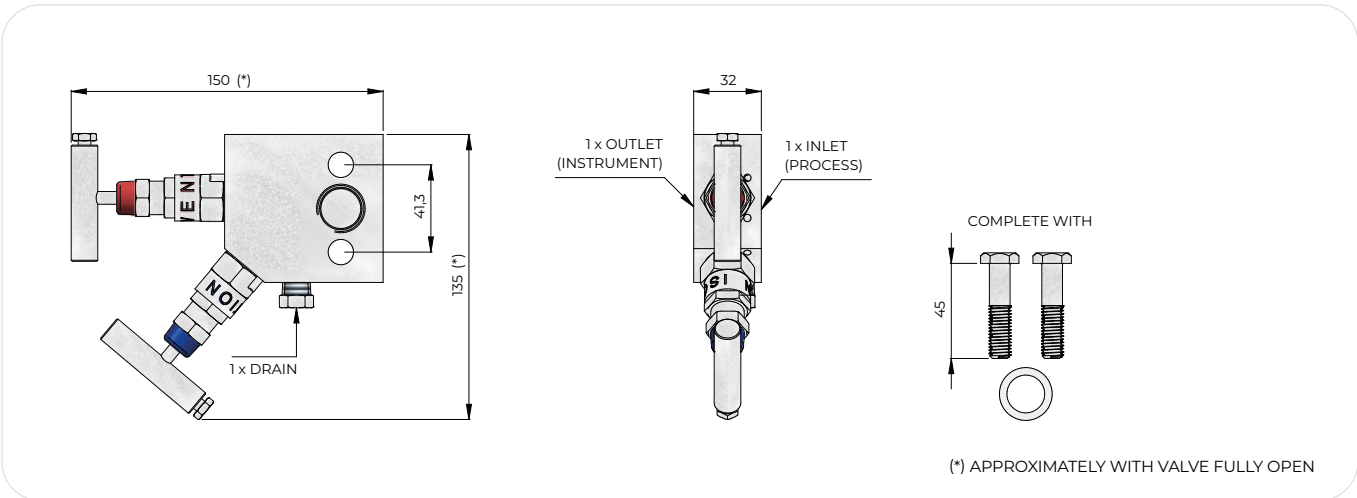
2-VALVES MANIFOLD
DIRECT MOUNTING X FEMALE THREAD



Technical Features:

- Bar stock body
- Non-Rotating plug tip
- Lock pin to prevent accidental loosening of bonnet
- Dust cap for stem protection
- Colour coded functional identification
- Externally adjustable gland
- Complete with vent/drain plug made in same body material
- PED-ATEX-EAC

2-VALVES MANIFOLD DIRECT MOUNTING
2D10 SERIE



How to order:

MANIFOLD SERIE	PRESSURE RATING	BODY MATERIAL	PACKING MATERIAL	INLET	OUTLET	DRAIN	OPTIONS	ACCESSORIES	SPECIAL EXECUTIONS
2D10	A: 6000 psi (5 mm bore)	01: AISI 316/L	A: PTFE (up to 200°C at 20 bar)	01: 1/2" NPT-F	07: Flanged	A: 1/4" NPT-F	A: No option	01: No accessories	AO: Not required
		08: Monel 400							
		09: Hastelloy C276							
		10: Inconel 625							
		11: Inconel 825	B: Graphoil (up to 500°C at 20 bar)	03: 1/2" BSPP-F	52: EN/IEC 61518 B	B: 1/4" BSPP-F	B: NACE MR0103	01: No accessories	AO: Not required
		12: F51 UNS S31803							
		13: F53 UNS S32750							
		14: F55 UNS S32760							
16: 6Mo UNS S31254					C: Degreased for O ₂				

• Other materials and connections are available on request

• Example of part number: **2D10 A 01 A 03 07 A A 01 A0**

MANIFOLD SERIE 2D10-RATING 6.000 psi-BODY MATERIAL IN AISI 316/L-PTFE PACKING-INLET 1/2"BSPP-F-OUTLET FLANGED-DRAIN 1/4"NPT-F-NO OPTION-NO ACCESSORIES

• Please consult the Accessories section starting from page 97 for available accessories