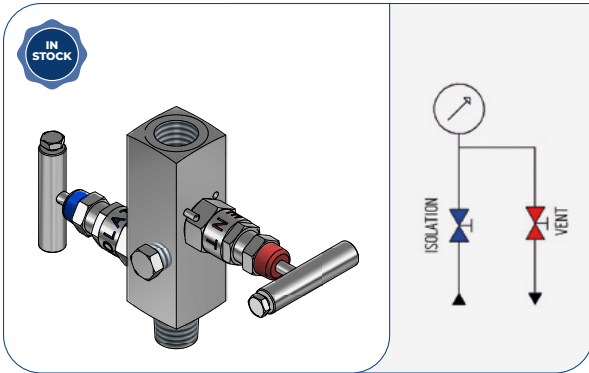


INSTRUMENT MANIFOLDS

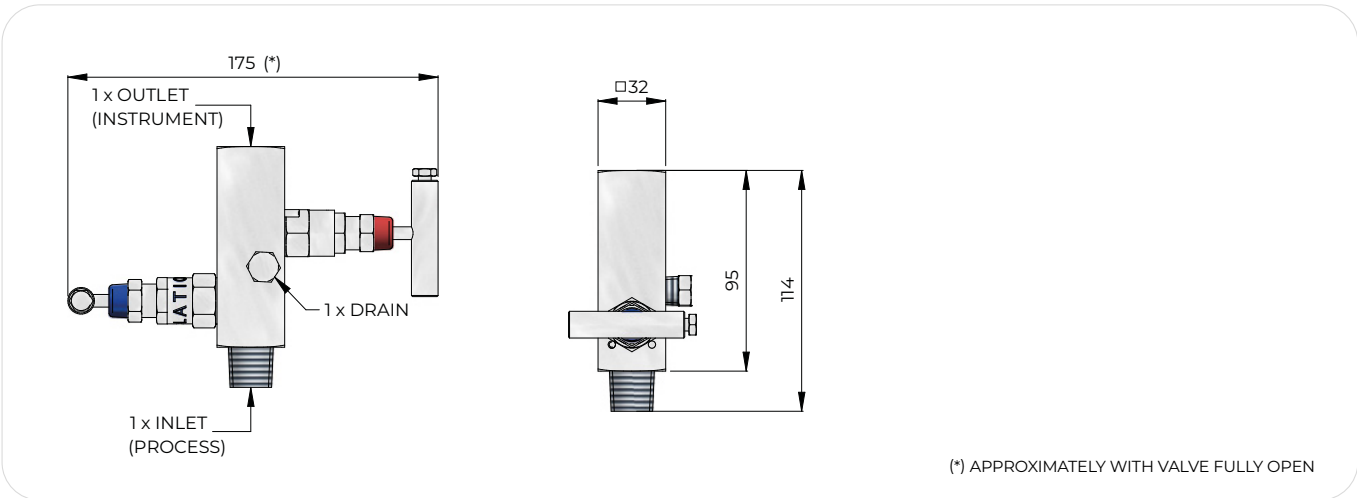
2-VALVES MANIFOLD
REMOTE MOUNTING THREADED MALE/FEMALE



Technical Features:

- Bar stock body
- Non-Rotating plug tip
- Lock pin to prevent accidental loosening of bonnet
- Dust cap for stem protection
- Colour coded functional identification
- Externally adjustable gland
- Complete with vent/drain plug made in same body material
- PED-ATEX-EAC

2-VALVES MANIFOLD REMOTE MOUNTING
2R8 SERIE



How to order:

| MANIFOLD SERIE | PRESSURE RATING | BODY MATERIAL | PACKING MATERIAL | INLET (PROCESS) | OUTLET (INSTRUMENT) | DRAIN | OPTIONS | ACCESSORIES | SPECIAL EXECUTIONS |
|----------------|---|--------------------|--|-----------------------|-----------------------|----------------------|---------------------------------------|-----------------------|---------------------|
| 2R8 | A: 6000 psi (5 mm bore) | 01: AISI 316/L | A: PTFE (up to 200°C at 20 bar) | 02: 1/2" NPT-M | 01: 1/2" NPT-F | A: 1/4" NPT-F | A: No option | 01: No accessories | A0: Not required |
| | | 08: Monel 400 | | | | | | | |
| | | 09: Hastelloy C276 | | | | | | | |
| | | 10: Inconel 625 | | | | | | | |
| | | 11: Inconel 825 | | | | | | | |
| | B: 10000 psi (4 mm bore) (Available with PTFE gasket only) | 12: F51 UNS S31803 | B: Graphoil (up to 500°C at 20 bar) | 04: 1/2" BSPP-M | 03: 1/2" BSPP-F | B: 1/4" BSPP-F | C: Degreased for O ₂ | | |
| | | 13: F53 UNS S32750 | | | | | | | |
| | | 14: F55 UNS S32760 | | | | | | | |
| | | 15: F57 UNS S32768 | | | | | | | |
| | | 16: 6Mo UNS S31254 | | | | | | | |

• Other materials and connections are available on request

• Example of part number: **2R8 A 01 A 04 03 B A 01 A0**

MANIFOLD SERIE 2R8-RATING 6.000 psi-BODY MATERIAL IN AISI 316/L-PTFE PACKING-INLET 1/2"BSPP-M-OUTLET 1/2"BSPP-F-DRAIN 1/4"BSPP-F-NO OPTION-NO ACCESSORIES

• Please consult the Accessories section starting from page 97 for available accessories