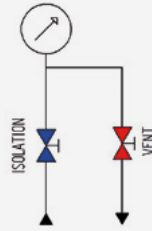
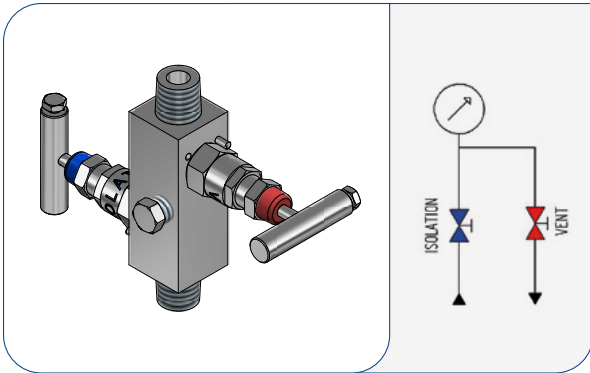


INSTRUMENT MANIFOLDS

2-VALVES MANIFOLD
REMOTE MOUNTING THREADED MALE/MALE

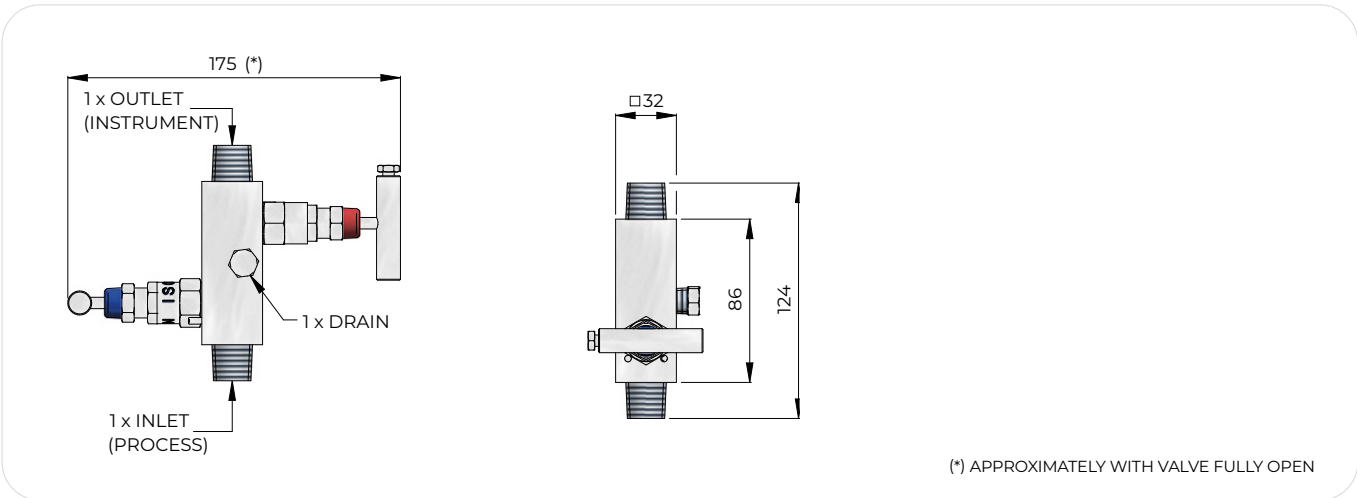


2-VALVES MANIFOLD REMOTE MOUNTING
2R9 SERIE



Technical Features:

- Bar stock body
- Non-Rotating plug tip
- Lock pin to prevent accidental loosening of bonnet
- Dust cap for stem protection
- Colour coded functional identification
- Externally adjustable gland
- Complete with vent/drain plug made in same body material
- PED-ATEX-EAC



(*) APPROXIMATELY WITH VALVE FULLY OPEN

How to order:

MANIFOLD SERIE	PRESSURE RATING	BODY MATERIAL	PACKING MATERIAL	INLET (PROCESS)	OUTLET (INSTRUMENT)	DRAIN	OPTIONS	ACCESSORIES	SPECIAL EXECUTIONS	
2R9	A: 6000 psi (5 mm bore)	01: AISI 316/L	A: PTFE (up to 200°C at 20 bar)	02: 1/2" NPT-M	02: 1/2" NPT-M	A: 1/4" NPT-F	A: No option	01: No accessories	A0: Not required	
		08: Monel 400								
		09: Hastelloy C276								
		10: Inconel 625								
		11: Inconel 825								
	B: 10000 psi (4 mm bore) (Available with PTFE gasket only)	12: F51 UNS S31803	B: Graphoil (up to 500°C at 20 bar)	04: 1/2" BSPP-M	04: 1/2" BSPP-M	B: 1/4" BSPP-F	B: NACE MR0103	C: Degreased for O ₂		
		13: F53 UNS S32750								
		14: F55 UNS S32760								
		16: 6Mo UNS S31254								

• Other materials and connections are available on request

• Example of part number: **2R9 A 01 A 04 04 B A 01 A0**

MANIFOLD SERIE 2R9-RATING 6.000 psi-BODY MATERIAL IN AISI 316/L-PTFE PACKING-INLET AND OUTLET 1/2"BSPP-M-DRAIN 1/4"BSPP-F-NO OPTION-NO ACCESSORIES

• Please consult the Accessories section starting from page 97 for available accessories