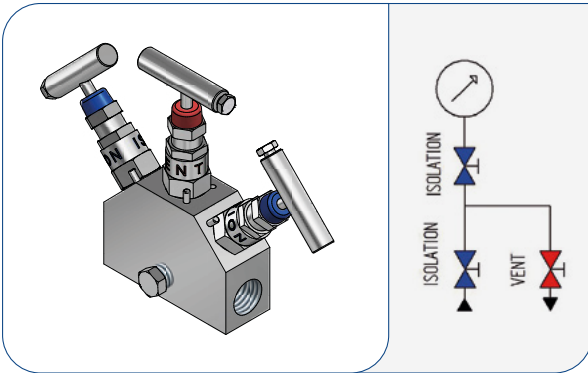


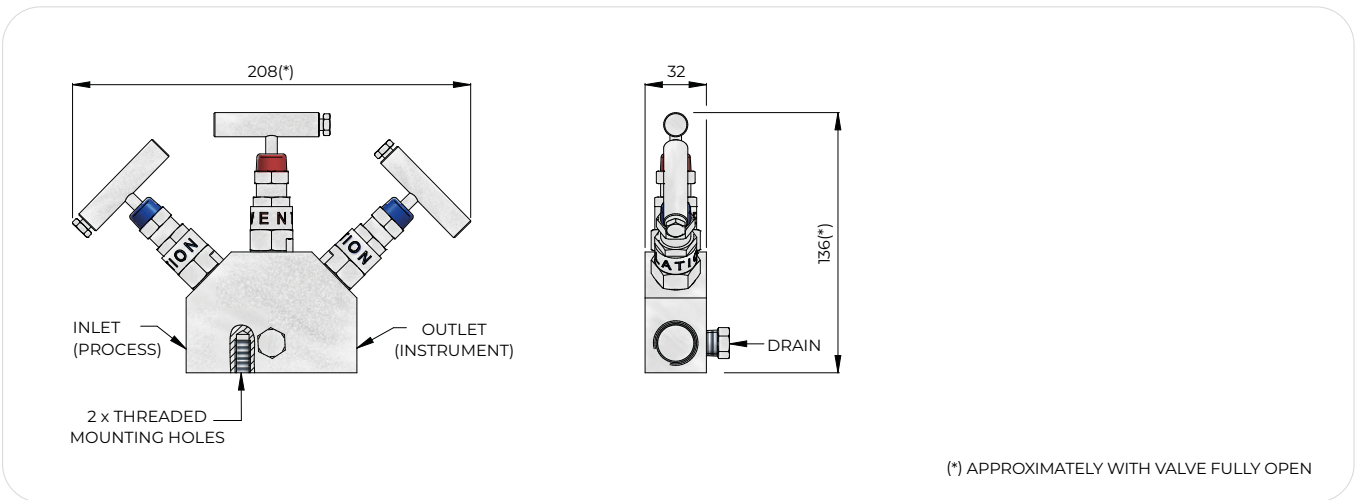


3-VALVES DOUBLE BLOCK & BLEED  
3DBBFF SERIE



### Technical Features:

- Bar stock body
- Non-Rotating plug tip
- Lock pin to prevent accidental loosening of bonnet
- Dust cap for stem protection
- Colour coded functional identification
- Externally adjustable gland
- Complete with vent/drain plug made in same body material
- PED-ATEX-EAC



(\*) APPROXIMATELY WITH VALVE FULLY OPEN

### How to order:

MANIFOLD SERIE	PRESSURE RATING	BODY MATERIAL	PACKING MATERIAL	INLET (PROCESS)	OUTLET (INSTRUMENT)	DRAIN	OPTIONS	ACCESSORIES	SPECIAL EXECUTIONS
3DBBFF	A: 6000 psi (5 mm bore)	01: AISI 316/L	A: PTFE (up to 200°C at 20 bar)	01: 1/2" NPT-F	01: 1/2" NPT-F	A: 1/4" NPT-F	A: No option		
		08: Monel 400							
		09: Hastelloy C276							
		10: Inconel 625							
	B: 10000 psi (4 mm bore) (Available with PTFE gasket only)	11: Inconel 825	B: Graphoil (up to 500°C at 20 bar)	03: 1/2" BSPP-F	03: 1/2" BSPP-F	B: 1/4" BSPP-F	B: NACE MR0103	01: No accessories	AO: Not required
		12: F51 UNS S31803							
		13: F53 UNS S32750							
		14: F55 UNS S32760							
	16: 6Mo UNS S31254					C: Degreased for O <sub>2</sub>			

• Other materials and connections are available on request

• Example of part number: **3DBBFF A 01 A 03 03 B A 01 A0**

MANIFOLD SERIE 3DBBFF-RATING 6.000 psi-BODY MATERIAL IN AISI 316/L-PTFE PACKING-INLET 1/2"BSPP-F-OUTLET 1/2"BSPP-F-DRAIN 1/4"BSPP-F-NO OPTION-NO ACCESSORIES

• Please consult the Accessories section starting from page 97 for available accessories