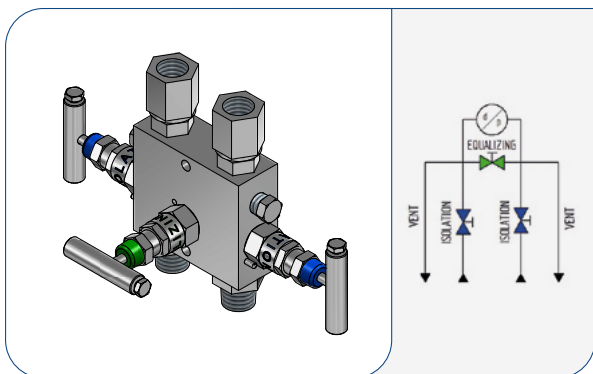


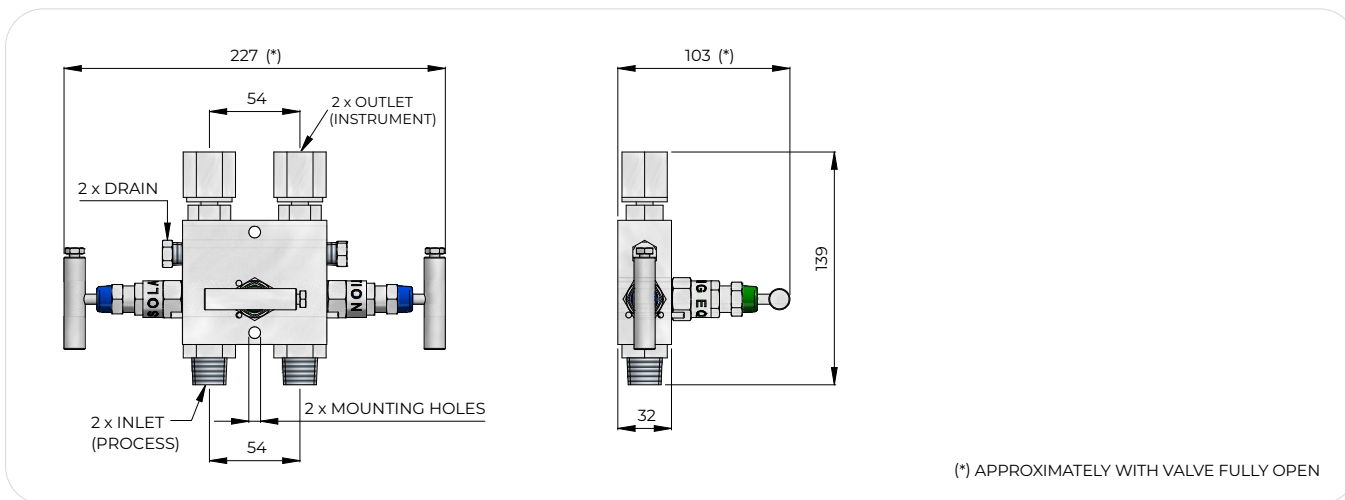


3-VALVES MANIFOLD REMOTE MOUNTING
3R3 SERIE



Technical Features:

- Bar stock body
- Non-Rotating plug tip
- Lock pin to prevent accidental loosening of bonnet
- Dust cap for stem protection
- Colour coded functional identification
- Externally adjustable gland
- Complete with vent/drain plug made in same body material
- PED-ATEX-EAC



(*) APPROXIMATELY WITH VALVE FULLY OPEN

How to order:

MANIFOLD SERIE	PRESSURE RATING	BODY MATERIAL	PACKING MATERIAL	INLET (PROCESS)	OUTLET (INSTRUMENT)	DRAIN	OPTIONS	ACCESSORIES	SPECIAL EXECUTIONS
3R3	A: 6000 psi (5 mm bore)	01: AISI 316/L	A: PTFE (up to 200°C at 20 bar)	02: 1/2" NPT-M		A: 1/4" NPT-F	A: No option		A0: Not required
		08: Monel 400							
		09: Hastelloy C276							
		10: Inconel 625							
		11: Inconel 825							
	B: 10000 psi (4 mm bore) (Available with PTFE gasket only)	12: F51 UNS S31803	B: Graphoil (up to 500°C at 20 bar)	04: 1/2" BSPP-M	54: swivel 1/2"BSPP-F EN 837-1	H: No drain	B: NACE MR0103	01: No accessories	A3: centerline 50 mm
		13: F53 UNS S32750							
		14: F55 UNS S32760							
		16: 6Mo UNS S31254							
		C: Degreased for O ₂							

• Other materials and connections are available on request

• Example of part number: **3R3 A 01 A 02 54 A A 01 A0**

MANIFOLD SERIE 3R3-RATING 6.000 psi-BODY MATERIAL IN AISI 316/L-PTFE PACKING-INLET 1/2"NPT-M-OUTLET SWIVEL 1/2"BSPP-F EN 837-1-DRAIN 1/4"NPT-F-NO OPTION-NO ACCESSORIES

• Please consult the Accessories section starting from page 97 for available accessories