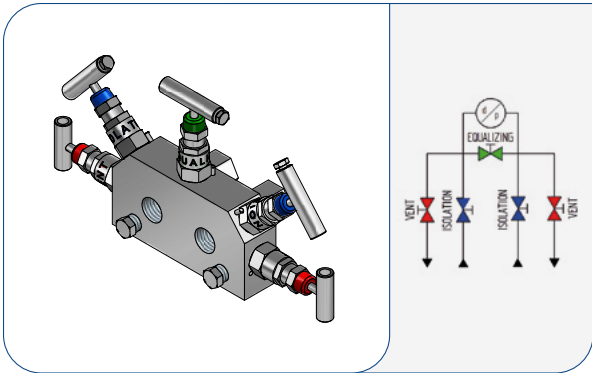


INSTRUMENT MANIFOLDS

5-VALVES MANIFOLD
REMOTE MOUNTING THREADED FEMALE/SWIVEL

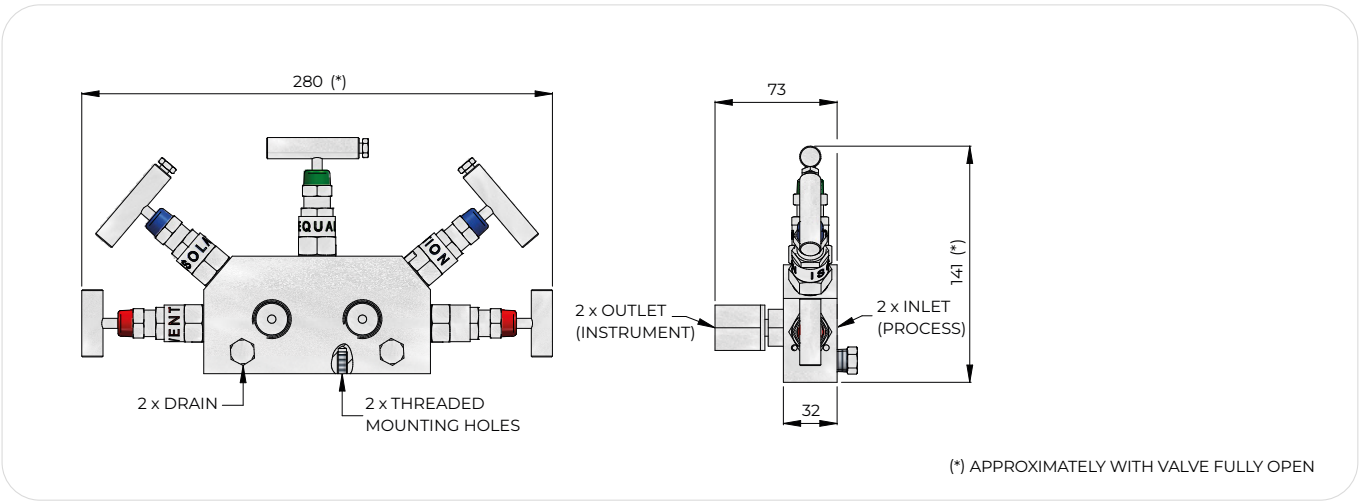


5-VALVES MANIFOLD REMOTE MOUNTING
5R6 SERIE



Technical Features:

- Bar stock body
- Non-Rotating plug tip
- Lock pin to prevent accidental loosening of bonnet
- Dust cap for stem protection
- Colour coded functional identification
- Externally adjustable gland
- Complete with vent/drain plug made in same body material
- PED-ATEX-EAC



How to order:

MANIFOLD SERIE	PRESSURE RATING	BODY MATERIAL	PACKING MATERIAL	INLET (PROCESS)	OUTLET (INSTRUMENT)	DRAIN	OPTIONS	ACCESSORIES	SPECIAL EXECUTIONS	
5R6	A: 6000 psi (5 mm bore)	01: AISI 316/L	A: PTFE (up to 200°C at 20 bar)	01: 1/2" NPT-F	54: swivel 1/2"BSPP-F EN 837-1	A: 1/4" NPT-F	A: No option		A0: Not required	
		08: Monel 400								
		09: Hastelloy C276								
		10: Inconel 625								
	B: 10000 psi (4 mm bore) (Available with PTFE gasket only)	11: Inconel 825	B: Graphoil (up to 500°C at 20 bar)	04: 1/2" BSPP-M	03: 1/2" BSPP-F	D: 1/2" NPT-F	C: Degreased for O ₂	B: NACE MR0103	01: No accessories	A3: Centerline 50mm
		12: F51 UNS S31803								
		13: F53 UNS S32750								
		14: F55 UNS S32760								
		16: 6Mo UNS S31254								

• Other materials and connections are available on request

• Example of part number: **5R6 A 01 A 01 54 D A 01 A0**

MANIFOLD SERIE 5R6-RATING 6.000 psi-BODY MATERIAL IN AISI 316/L-PTFE PACKING-INLET 1/2"NPT-F-OUTLET SWIVEL 1/2"BSPP-F-DRAIN 1/2"NPT-F-NO OPTION-NO ACCESSORIES

• Please consult the Accessories section starting from page 97 for available accessories