

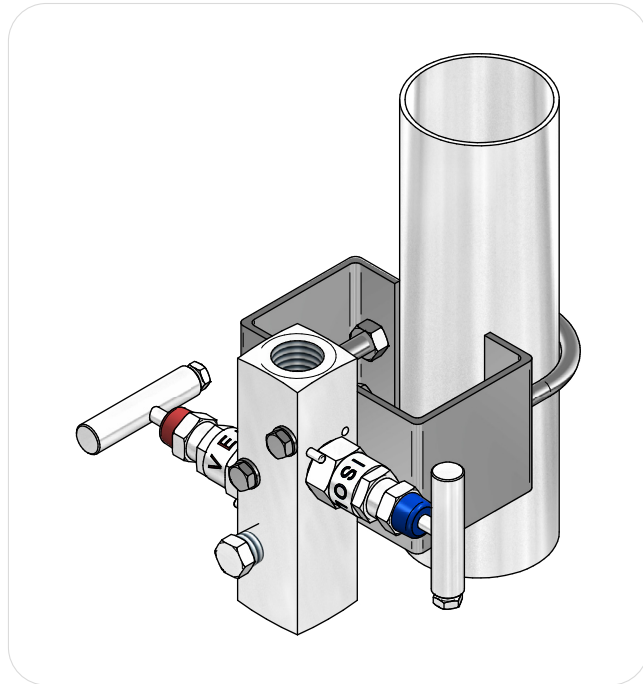
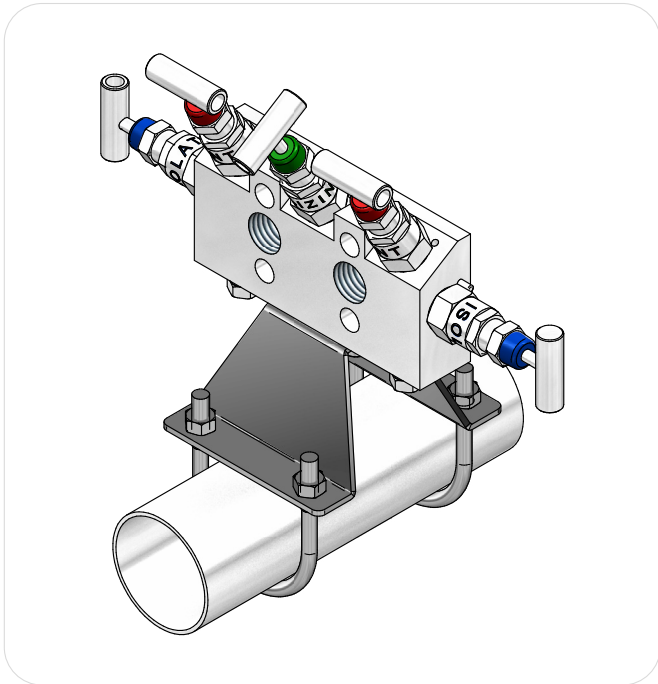
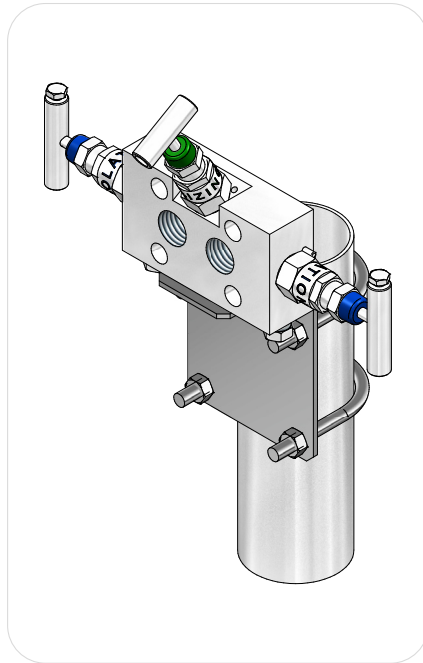
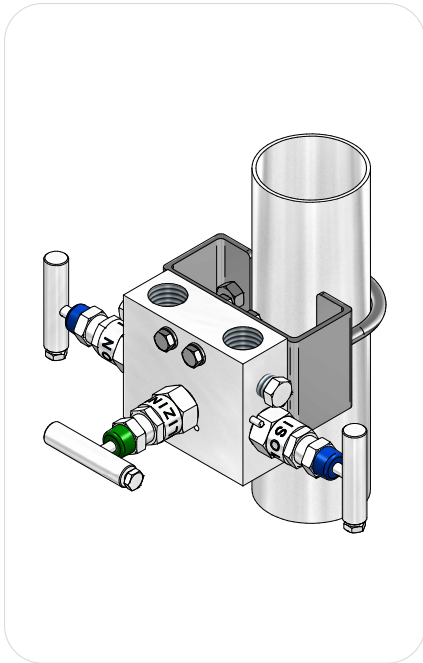
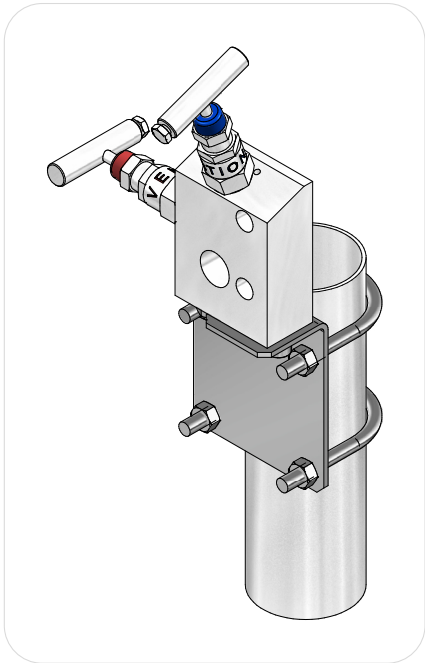
INSTRUMENT MANIFOLDS

ACCESSORIES:
MOUNTING BRACKETS

bulk

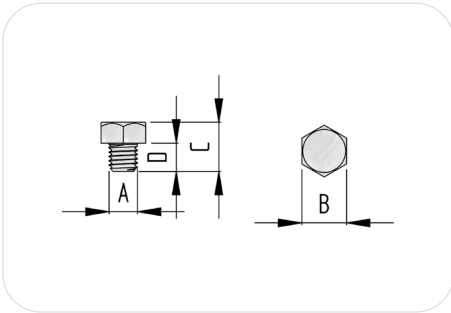


ACCESSORIES
MOUNTING BRACKETS

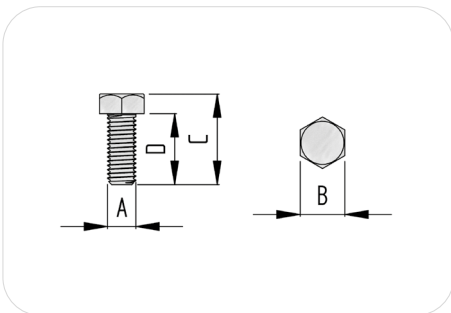


MOUNTING BRACKETS

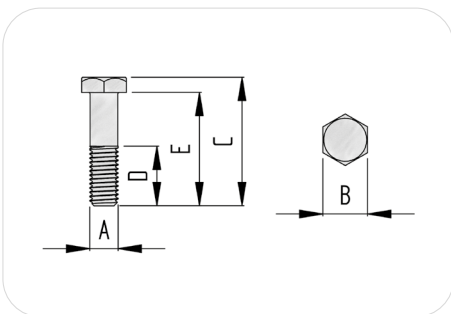
A wide range of mounting brackets is available for manifold installation
Construction material is AISI 316/L or galvanized carbon steel
Brackets are supplied complete with U-bolts, screws and nuts



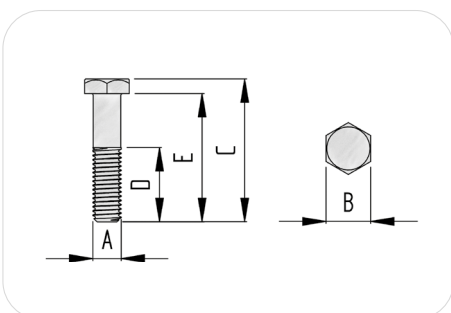
PART NUMBER	MATERIAL	A	B	C	D	E
TIR 7/16-10-316	AISI 316	7/16"UNF	16	18	10	-
TIR 7/16-10-CG	Passivated Carbon Steel	7/16"UNF	16	18	10	-
TIR M10-10-316	AISI 316	M10	16	18	10	-
TIR M10-10-CG	Passivated Carbon Steel	M10	16	18	10	-



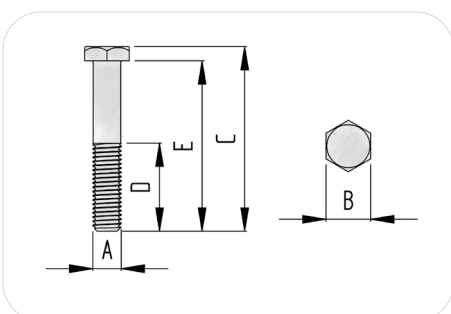
PART NUMBER	MATERIAL	A	B	C	D	E
TIR 7/16-25-316	AISI 316	7/16"UNF	16	32	25	-
TIR 7/16-25-CG	Passivated Carbon Steel	7/16"UNF	16	32	25	-
TIR M10-25-316	AISI 316	M10	16	32	25	-
TIR M10-25-CG	Passivated Carbon Steel	M10	16	32	25	-



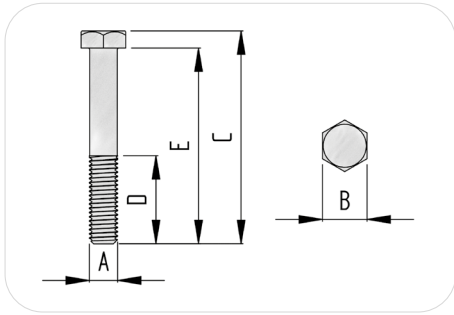
PART NUMBER	MATERIAL	A	B	C	D	E
TIR 7/16-40-316	AISI 316	7/16"UNF	16	45	21	40
TIR 7/16-40-CG	Passivated Carbon Steel	7/16"UNF	16	45	21	40
TIR M10-40-316	AISI 316	M10	16	45	21	40
TIR M10-40-CG	Passivated Carbon Steel	M10	16	45	21	40



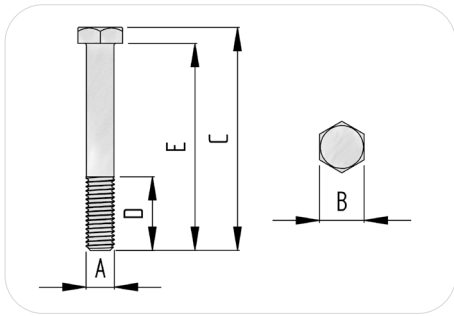
PART NUMBER	MATERIAL	A	B	C	D	E
TIR 7/16-45-316	AISI 316	7/16"UNF	16	50	26	45
TIR 7/16-45-CG	Passivated Carbon Steel	7/16"UNF	16	50	26	45
TIR M10-45-316	AISI 316	M10	16	50	26	45
TIR M10-45-CG	Passivated Carbon Steel	M10	16	50	26	45



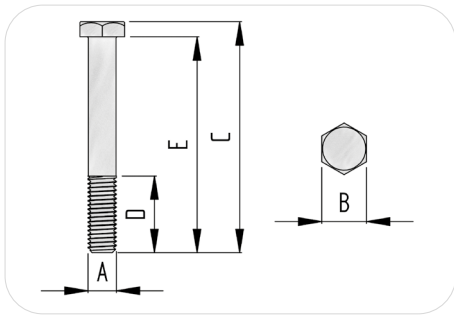
PART NUMBER	MATERIAL	A	B	C	D	E
TIR 7/16-60-316	AISI 316	7/16"UNF	16	65	31	60
TIR 7/16-60-CG	Passivated Carbon Steel	7/16"UNF	16	65	31	60
TIR M10-60-316	AISI 316	M10	16	65	31	60
TIR M10-60-CG	Passivated Carbon Steel	M10	16	65	31	60



PART NUMBER	MATERIAL	A	B	C	D	E
TIR 7/16-69-316	AISI 316	7/16"UNF	16	74	31	69
TIR 7/16-69-CG	Passivated Carbon Steel	7/16"UNF	16	74	31	69
TIR M10-69-316	AISI 316	M10	16	74	31	69
TIR M10-69-CG	Passivated Carbon Steel	M10	16	74	31	69



PART NUMBER	MATERIAL	A	B	C	D	E
TIR 7/16-73-316	AISI 316	7/16"UNF	16	79	26	73
TIR 7/16-73-CG	Passivated Carbon Steel	7/16"UNF	16	79	26	73
TIR M10-73-316	AISI 316	M10	16	79	26	73
TIR M10-73-CG	Passivated Carbon Steel	M10	16	79	26	73



PART NUMBER	MATERIAL	A	B	C	D	E
TIR 7/16-76-316	AISI 316	7/16"UNF	16	82	27	76
TIR 7/16-76-CG	Passivated Carbon Steel	7/16"UNF	16	82	27	76
TIR M10-76-316	AISI 316	M10	16	82	27	76
TIR M10-76-CG	Passivated Carbon Steel	M10	16	82	27	76

BOLTS FOR DIRECT MOUNTING MANIFOLDS

Bolts are available in 7/16" fractional dimension or M10 metric size

Construction material is passivated carbon steel (as standard) or AISI 316/L (on request)

Bolts length could vary from model to model

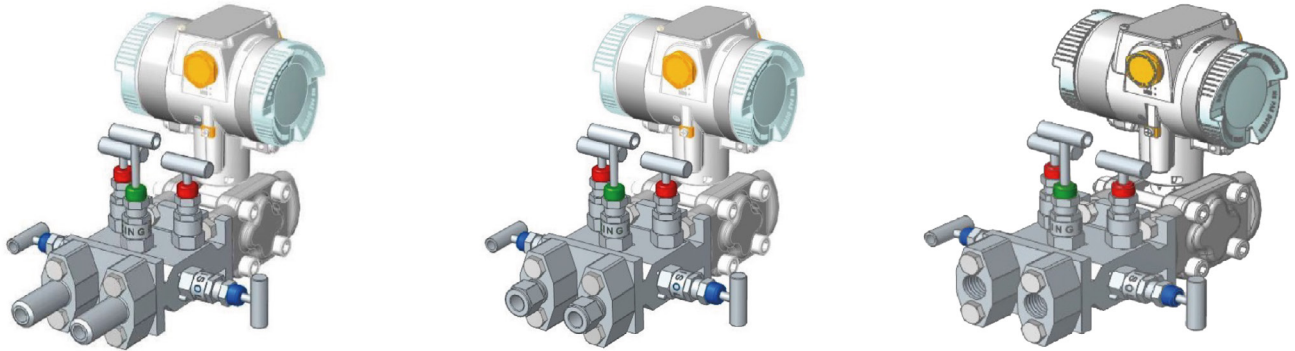
· Other thread sizes, nominal lengths and materials are available on request

· Example of part number: **TIR 7/16 - 45 - 316**

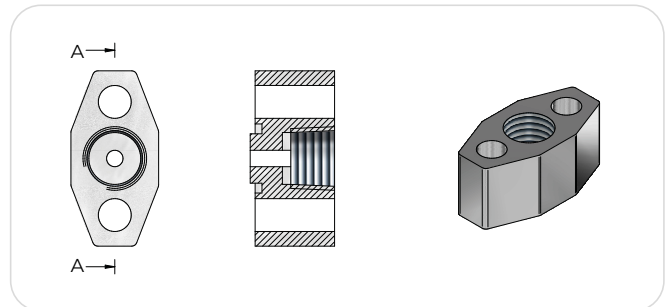
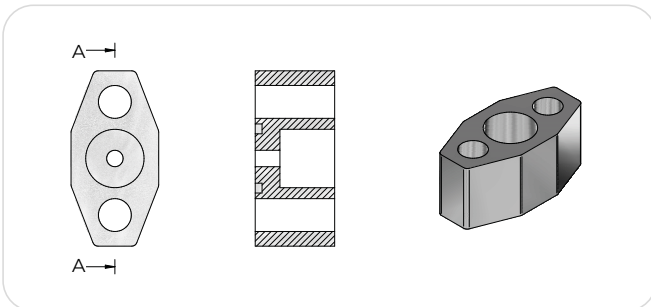
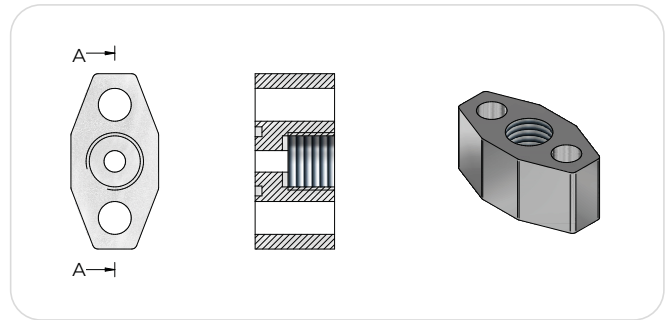
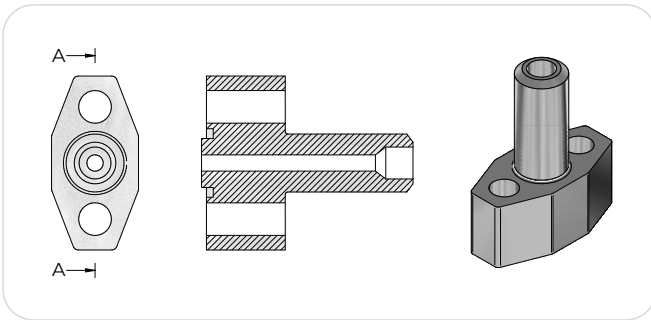
BOLT SERIE TIR-THREAD SIZE 7/16-LENGTH 45 mm-MATERIAL AISI 316

· Please consult manifold section to select suitable product

· All dimensions in mm



ACCESSORIES
OVAL FLANGES



OVAL FLANGE MODEL	PRESSURE RATING	MATERIAL	INLET	OUTLET	OPTIONS	SPECIAL EXECUTION	
OV	A: 6000 psi	01: AISI 316/L	01: 1/2"NPT-F	01: Flanged	A: No option	A0: Not required	
			02: 1/2"NPT-M				
		02: AISI 316L	03: 1/2"BSPP-F		05: Flanged with spigot		B: NACE MR 0103
			04: 1/2"BSPP-M				
		03: AISI 316	07: 1/2"BW SCH.40/STD	C: Degreased for O ₂			
			08: 1/2"SW				
			09: 1/2"BW SCH.80/XS				
		08: A105	10: 1/2"BW SCH.160				
			11: 1/2"BW SCH.XXS				

Other materials are available on request

OVAL FLANGES

Oval flanges are offered with different process connections: female thread, with compression fittings, butt welding or socket welding
Oval flanges are supplied complete with bolts and O-ring

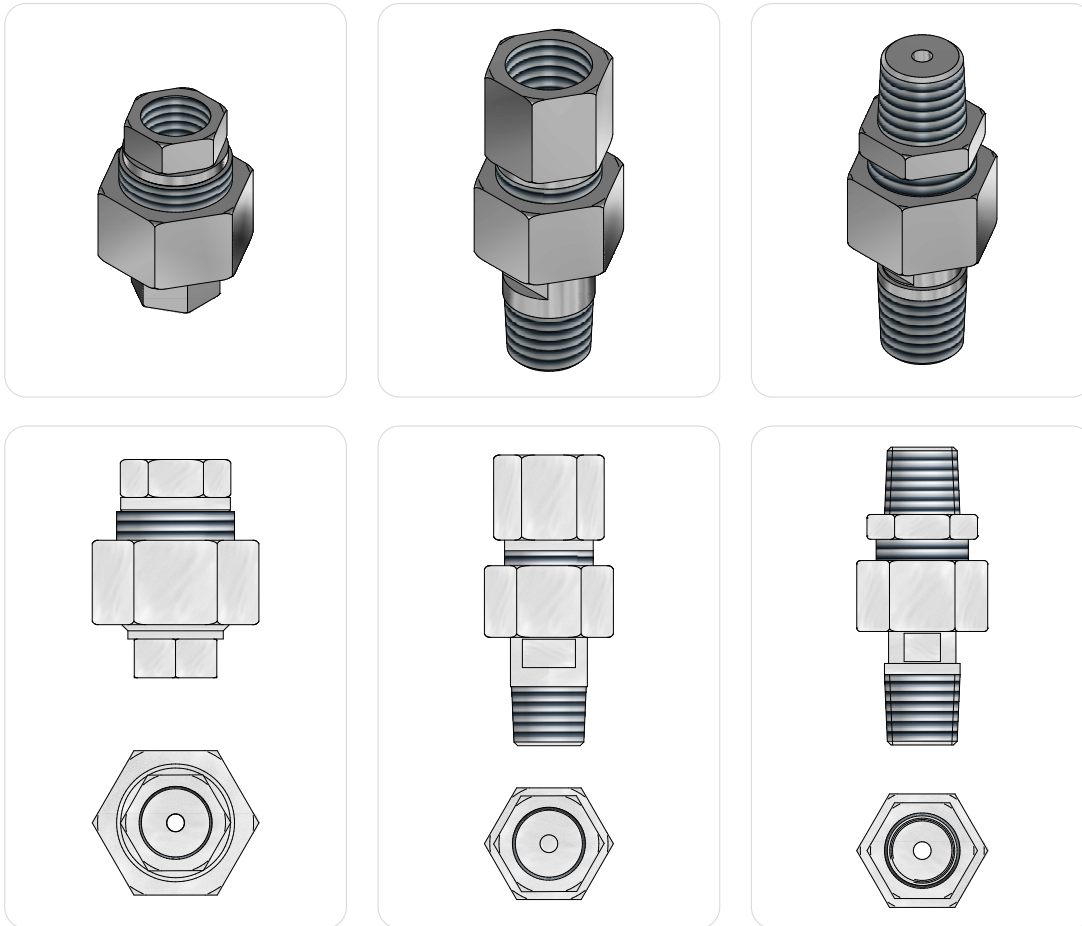
INSTRUMENT MANIFOLDS

ACCESSORIES:
3-PIECES SWIVELS

bulk



ACCESSORIES
3-PIECES SWIVELS

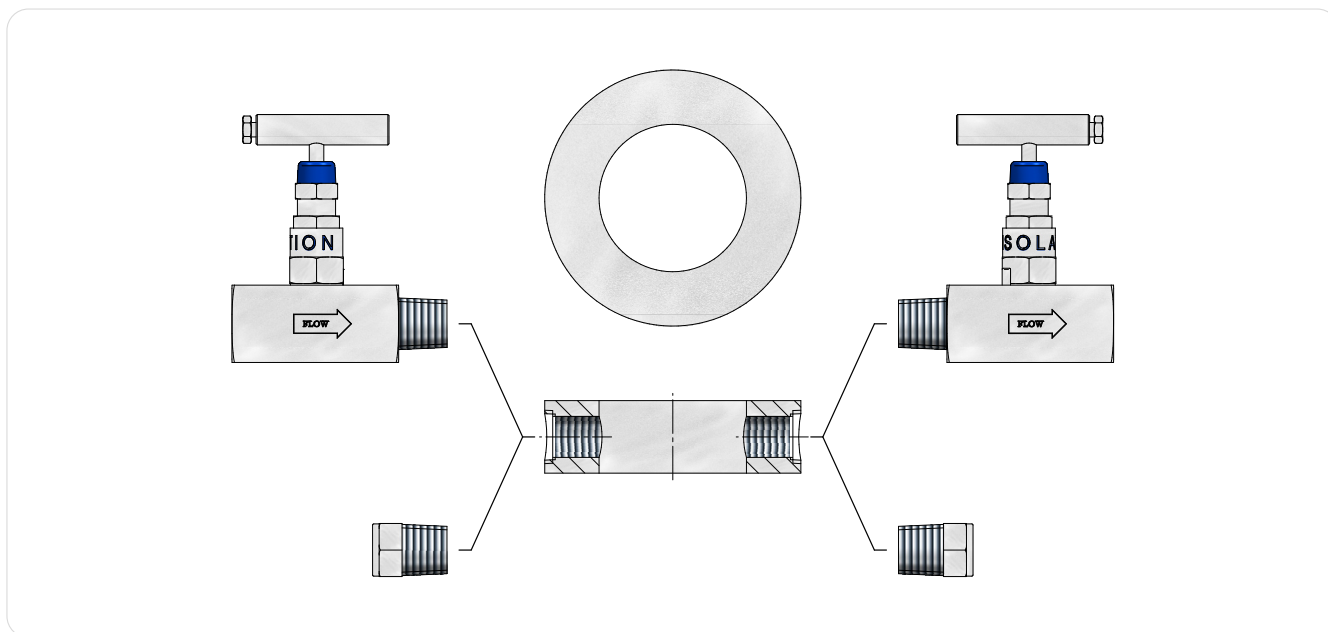
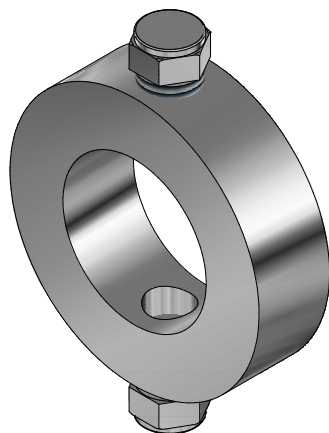


How to order:

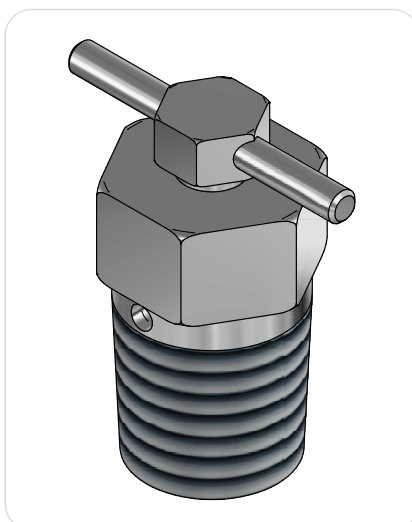
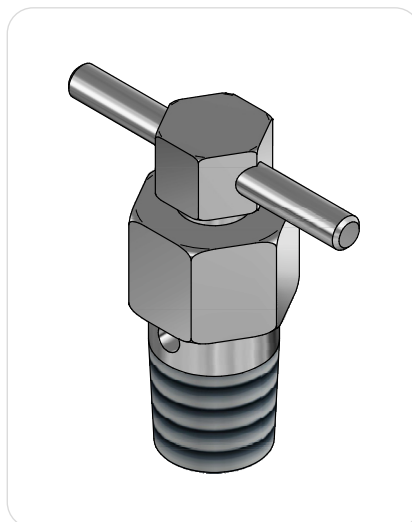
MODEL	INLET	OUTLET	PRESSURE RATING	MATERIAL
SGA	01: 1/4" NPT-F	01: 1/4" NPT-F	A: 6000 PSI	01: AISI 316/L
	02: 1/4" NPT-M	02: 1/4" NPT-M		02: Monel 400
	03: 1/4" BSPP-F	03: 1/4" BSPP-F		03: Hastelloy C276
	04: 1/4" BSPP-M	04: 1/4" BSPP-M		04: Inconel 625
				05: Inconel 825
	05: 3/8" NPT-F	05: 3/8" NPT-F		06: F51 UNS S31803
	06: 3/8" NPT-M	06: 3/8" NPT-M		07: F53 UNS S32750
	07: 3/8" BSPP-F	07: 3/8" BSPP-F		08: F55 UNS S32760
	08: 3/8" BSPP-M	08: 3/8" BSPP-M		09: 6Mo UNS S31254
	09: 1/2" NPT-F	09: 1/2" NPT-F		
	10: 1/2" NPT-M	10: 1/2" NPT-M		
	11: 1/2" BSPP-F	11: 1/2" BSPP-F		
	12: 1/2" BSPP-M	12: 1/2" BSPP-M		
	13: 3/4" NPT-F	13: 3/4" NPT-F		
	14: 3/4" NPT-M	14: 3/4" NPT-M		
	15: 3/4" BSPP-F	15: 3/4" BSPP-F		
	16: 3/4" BSPP-M	16: 3/4" BSPP-M		
	17: 1" NPT-F	17: 1" NPT-F		
	18: 1" NPT-M	18: 1" NPT-M		
19: 1" BSPP-F	19: 1" BSPP-F			
20: 1" BSPP-M	20: 1" BSPP-M			
21: M20x1,5-F	21: M20x1,5-F			
22: M20x1,5-M	22: M20x1,5-M			

OTHER CONNECTIONS AND MATERIALS ARE AVAILABLE ON REQUEST

SWIVEL ADAPTERS
3-piece construction
Metal to metal seat



FLUSHING RINGS
Drip rings are available in a wide range of configurations
Flange rating from ANSI 150 to ANSI 2500
Face finishing FF, RF, RJ, ...
Radial holes can be supplied complete with needle valves or plugs



BLEED VALVES

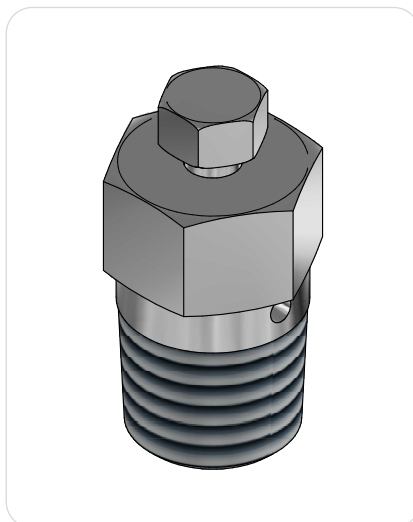
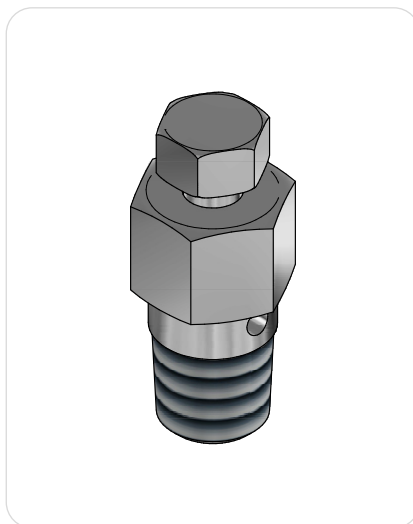
Compact valve complete of handle

Hole drain diameter 1/8"

Standard material AISI 316/L

Standard threads 1/4" NPT-M or 1/2" NPT-M

Other sizes and materials are available on request



BLEED PLUGS

Hole drain diameter $\varnothing 3,2$ mm

Standard material AISI 316/L

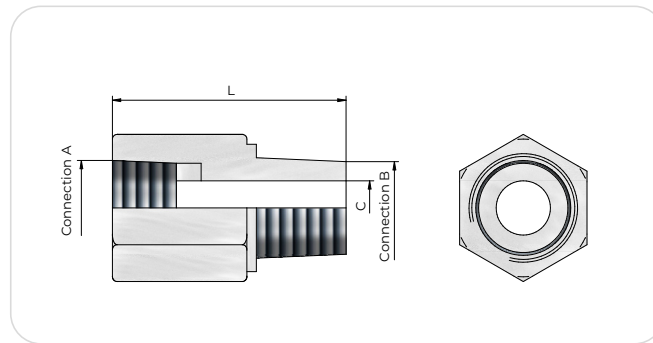
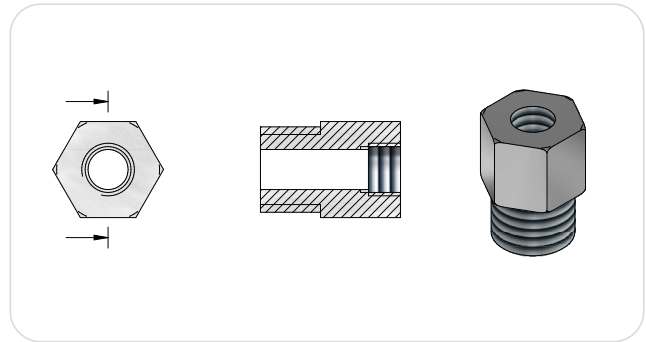
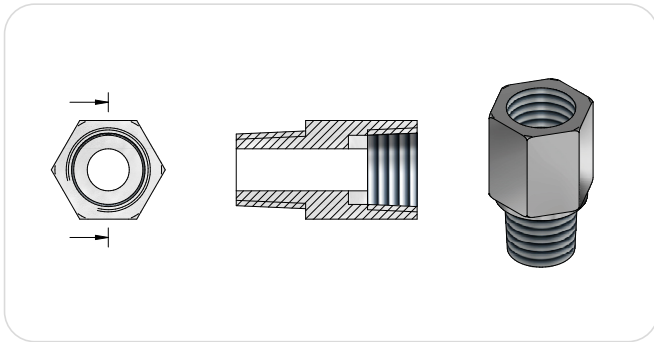
Standard threads $\frac{1}{4}$ " NPT-M or $\frac{1}{2}$ " NPT-M

Other sizes and materials are available on request

INSTRUMENT MANIFOLDS

ACCESSORIES:
ADAPTERS FEMALE/MALE – NPT/BSPP

bulk



ACCESSORIES
ADAPTERS FEMALE/MALE – NPT/BSPP

MODEL	CONNECTION A	CONNECTION B	BORE Ø C [mm]	LENGTH [mm]
8-A	1/2" NPT-F	1/2" NPT-M	11,5	50
8-A-K1	1/2" NPT-F	1/2" BSPP-M	10	45
8-A-K2	1/2" BSPP-F	1/2" NPT-M	10	50
8-A-K3	1/2" BSPP-F	1/2" BSPP-M	10	45
8-A-J1	1/2" NPT-F	1/2" BSPT-M	11	50
8-RMF-4	1/4" NPT-F	1/2" NPT-M	10	35

ADAPTERS FEMALE/MALE – NPT/BSPP

Various adapters are available to properly fit different kinds of connections

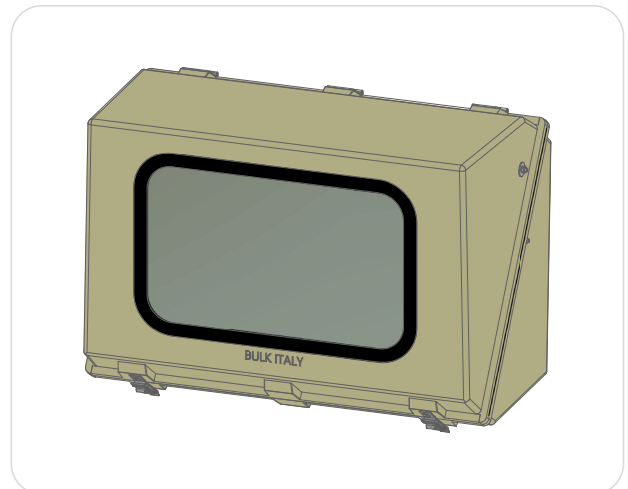
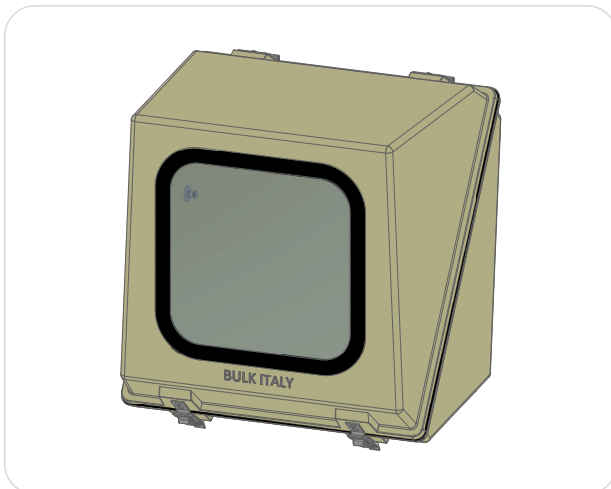
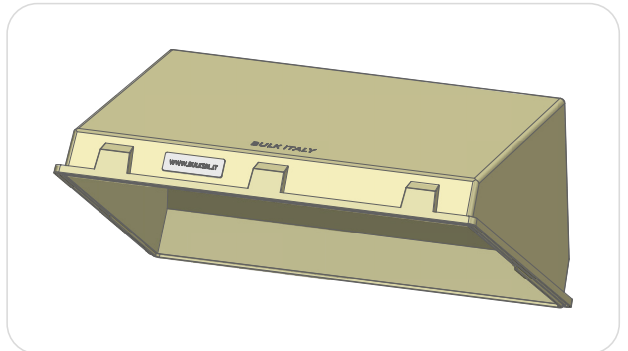
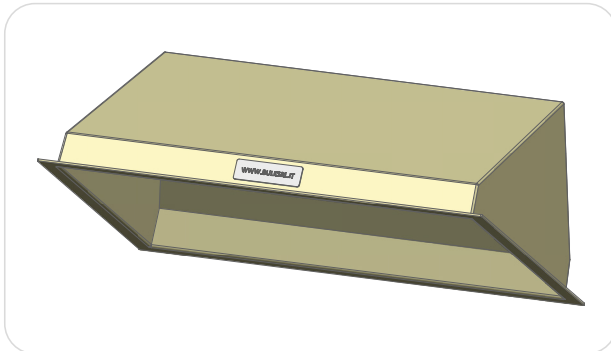
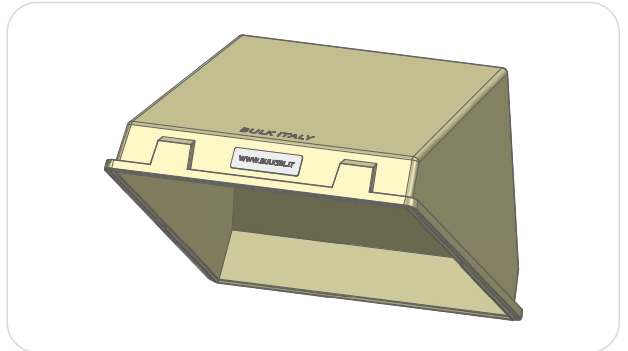
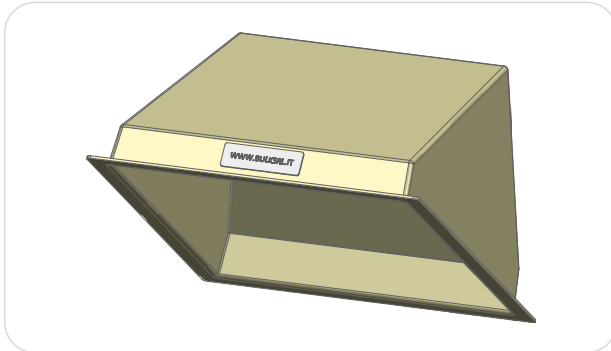
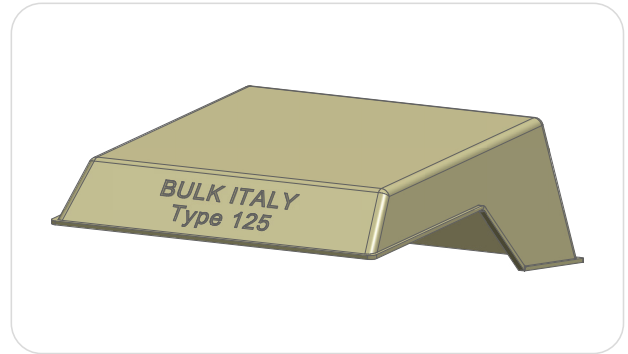
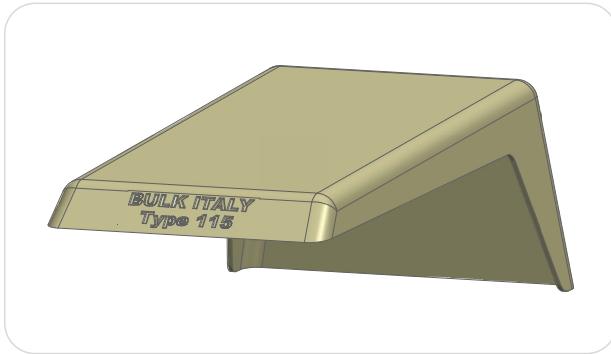


bulk

INSTRUMENT MANIFOLDS

ACCESSORIES
INSTRUMENT ENCLOSURES AND SUNSHADES

ACCESSORIES
INSTRUMENT ENCLOSURES AND SUNSHADES



GRP INSTRUMENT ENCLOSURES AND SUNSHADES

BULK manufactures a complete range of instrument enclosures and sunshades made of GRP

They are suitable for safe or hazardous area

Please consult the relative catalogue