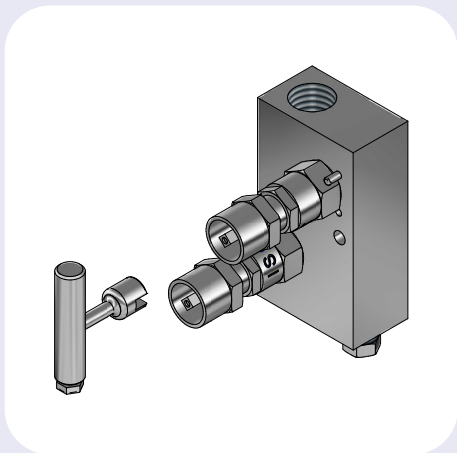


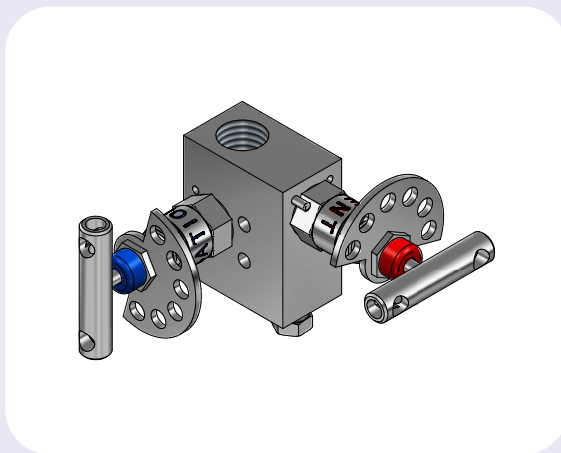
ANTITAMPER:

One or more valves can be supplied complete with antitamper to avoid unauthorized operations.



LOCKABLE VALVE:

One or more valves can be supplied complete with lockable device to avoid unauthorized operations (padlock not included).



PANEL MOUNTING:

Needle valves are available with panel mounting nut.

EXTENDED STEM:

For cryogenic applications, manifolds can be supplied with extended bonnets to keep the packing away from the cold area.

CONNECTIONS:

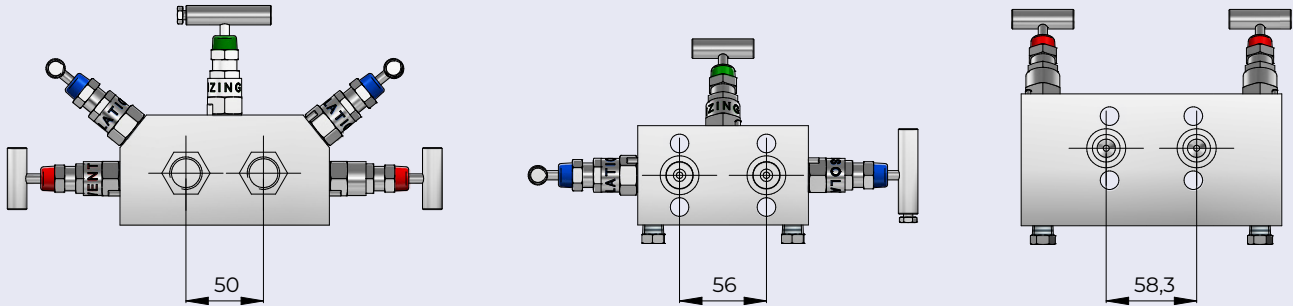
Standard connections are NPT but a wide range of different options is also available:

- Parallel thread BSPP
- Tapered thread BSPT
- Metric thread M20
- Butt welding (BW)
- Socket welding (SW)



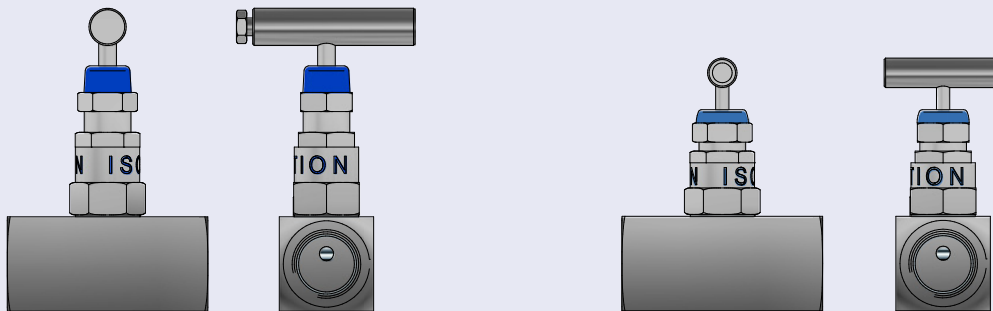
NOT STANDARD CENTRE TO CENTRE DISTANCE:

3-valves and 5-valves manifolds are also available with centre-to-centre distance of 50 mm, 56 mm or 58,3 mm instead of the standard 54 mm.



MINI VALVES:

All manifolds are available with reduced dimensions valves.



STANDARD VALVES

MINI VALVES

OIL FREE CLEANING:

Oxygen applications require a deep cleaning of all manifold components. After the cleaning operation, manifolds are sealed, packed and labelled.



PMI (POSITIVE MATERIAL IDENTIFICATION):

An in-house PMI machine is available for material grade test.

