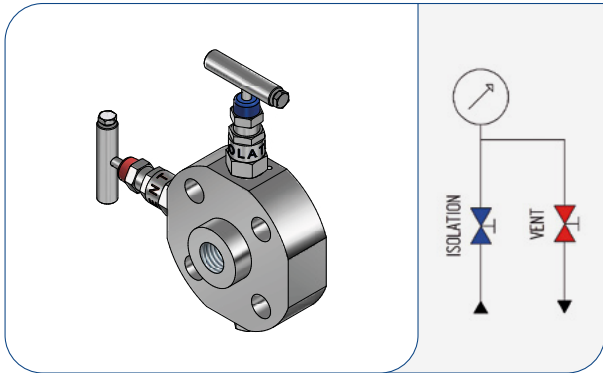


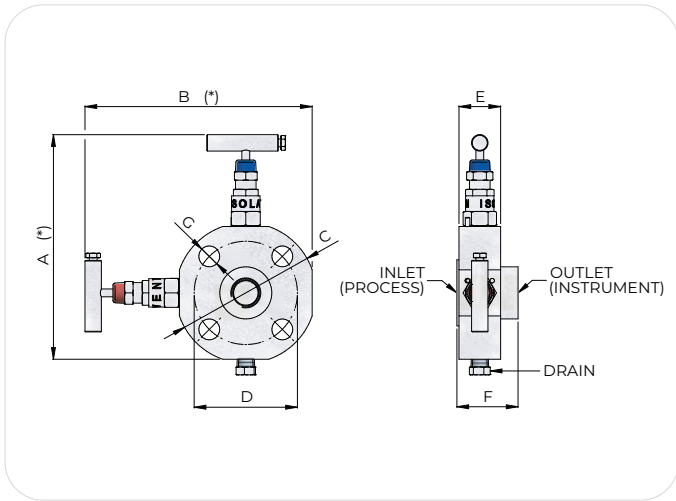
# INSTRUMENT MANIFOLDS

MONOFLANGE SINGLE BLOCK & BLEED



### Technical Features:

- Bar stock body
- Non-Rotating plug tip
- Lock pin to prevent accidental loosening of bonnet
- Dust cap for stem protection
- Colour coded functional identification
- Externally adjustable gland
- Complete with vent/drain plug made in same body material
- PED-ATEX-EAC



PRESSURE RATING 6000 PSI									
FLANGE SIZE	CLASS	A(*)	B(*)	C	D	E	F	G	N° OF HOLES
1/2"	ANSI 150	150	150	89	60,3	32	47	16	4
1"	ANSI 150	170	170	108	79,4	32	47	16	4
	ANSI 300	190	190	124	88,9	32	47	19	4
	ANSI 900	210	210	149	101,6	32	52	25,4	4
2"	ANSI 150	220	220	152,5	120,6	32	47	19	4
	ANSI 900	280	280	216	165,1	38	58	25,4	8

(\*) APPROXIMATELY WITH VALVE FULLY OPEN

### How to order:

MONOFLANGE SERIE	BODY MATERIAL	PACKING MATERIAL	FLANGE SIZE	CLASS	FLANGE FINISHING	OUTLET (INSTRUMENT)	DRAIN	OPTIONS	ACCESSORIES	SPECIAL EXECUTIONS
MFSB	01: AISI 316/L	A: PTFE (up to 200°C at 20 bar)	B: 3/4"	01: ANSI 150	A: RF	01: 1/2" NPT-F	A: 1/4" NPT-F	A: No option	01: No accessories	A0: Not required
	02: ANSI 300									
	C: 1"		03: ANSI 600	B: RJ (OCTAGONAL RING)						
			04: ANSI 900							
	D: 1 1/2"		05: ANSI 1500	C: RJ (OVAL RING)						
	B: Graphoil (up to 500°C at 20 bar)	E: 2"	A: 1/2"	06: ANSI 2500	D: FF	D: Degreased for O <sub>2</sub>				
				07: ANSI 150						
			08: ANSI 300							
			09: ANSI 600							

• Other materials and connections are available on request

• Example of part number: **MFSB 01 A C 01 D 01 A A 01 A0**

SINGLE BLOCK & BLEED MONOFLANGE VALVE-BODY MATERIAL IN AISI 316/L-PTFE PACKING-FLANGE SIZE 1"-CLASS ANSI 150-FF-OUTLET 1/2"NPT-F-DRAIN 1/4"NPT-F-NO OPTION-NO ACCESSORIES

MONOFLANGE SINGLE BLOCK & BLEED MFSB SERIE