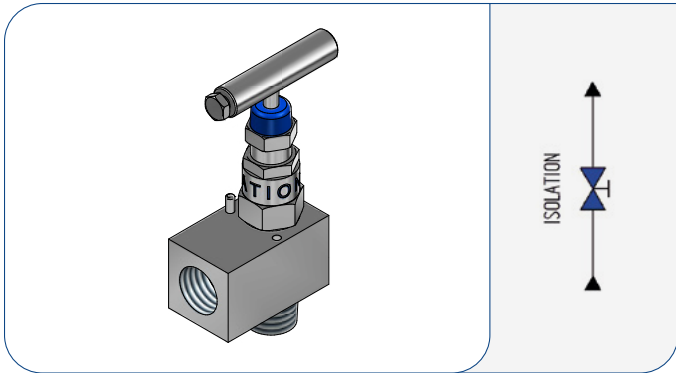


INSTRUMENT MANIFOLDS

NEEDLE VALVE 90°
THREADED MALE/FEMALE

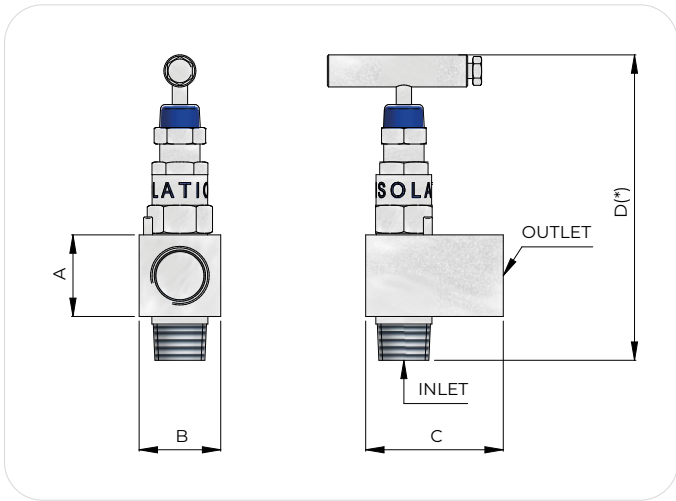


NEEDLE VALVES
7VS SERIE



Technical Features:

- Bar stock body
- Non-Rotating plug tip
- Lock pin to prevent accidental loosening of bonnet
- Dust cap for stem protection
- Externally adjustable gland
- PED-ATEX-EAC



PRESSURE RATING 6000 PSI

INLET	OUTLET	A	B	C	D(*)
1/8" NPT-M	1/8" NPT-F	28,5	28,5	42	119
1/4" NPT-M	1/4" NPT-F	28,5	28,5	42	119
3/8" NPT-M	3/8" NPT-F	28,5	28,5	42	119
1/2" NPT-M	1/2" NPT-F	32	32	51	122
3/4" NPT-M	3/4" NPT-F	38	38	57	139
1" NPT-M	1" NPT-F	45	45	69	148

(*) APPROXIMATELY WITH VALVE FULLY OPEN

How to order:

MANIFOLD SERIE	PRESSURE RATING	BODY MATERIAL	PACKING MATERIAL	INLET (PROCESS)	OUTLET (INSTRUMENT)	DRAIN	OPTIONS	ACCESSORIES	SPECIAL EXECUTIONS
7VS	A: 6000 psi (5 mm bore)	01: AISI 316/L	A: PTFE (up to 200°C at 20 bar)	02: 1/2" NPT-M	01: 1/2" NPT-F	H: No drain	A: No option	01: No accessories	A0: Not required
		08: Monel 400							
		09: Hastelloy C276							
		10: Inconel 625							
		11: Inconel 825							
		12: F51 UNS S31803							
	B: 10000 psi (4 mm bore) (Available with PTFE gasket only)	B: Graphoil (up to 500°C at 20 bar)	04: 1/2" BSPP-M	03: 1/2" BSPP-F	C: Degreased for O ₂				
						13: F53 UNS S32750			
						14: F55 UNS S32760			
						16: 6Mo UNS S31254			

• Other materials and connections are available on request

• Example of part number: **7VS A 01 A 04 03 H A 01 A0**

NEEDLE VALVE SERIE 7VS-RATING 6.000 psi-BODY MATERIAL IN AISI 316/L-PTFE PACKING-INLET 1/2"BSPP-M-OUTLET 1/2"BSPP-F-NO DRAIN-NO OPTION-NO ACCESSORIES

• Please consult the Accessories section starting from page 97 for available accessories