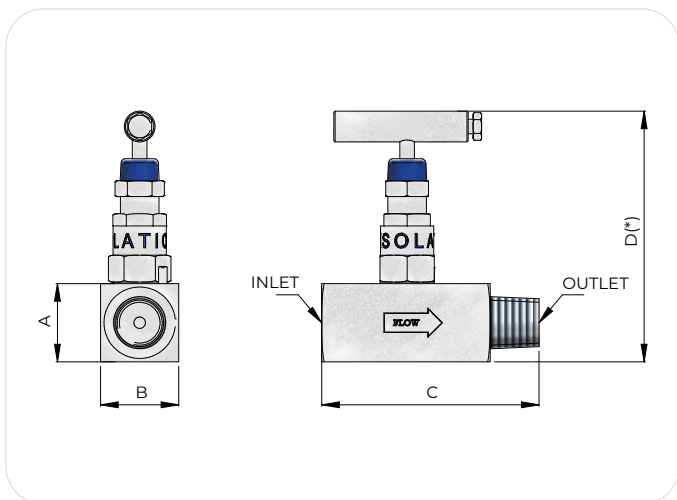


### Technical Features:

- Bar stock body
- Non-Rotating plug tip
- Lock pin to prevent accidental loosening of bonnet
- Dust cap for stem protection
- Externally adjustable gland
- PED-ATEX-EAC



### PRESSURE RATING 6000 PSI

INLET	OUTLET	A	B	C	D(*)
1/8" NPT-F	1/8" NPT-M	28,5	28,5	76	100
1/4" NPT-F	1/4" NPT-M	28,5	28,5	76	100
3/8" NPT-F	3/8" NPT-M	28,5	28,5	76	100
1/2" NPT-F	1/2" NPT-M	32	32	89	103
3/4" NPT-F	3/4" NPT-M	38	38	89	120
1" NPT-F	1" NPT-M	45	45	100	129

(\*) APPROXIMATELY WITH VALVE FULLY OPEN

### How to order:

MANIFOLD SERIE	PRESSURE RATING	BODY MATERIAL	PACKING MATERIAL	INLET (PROCESS)	OUTLET (INSTRUMENT)	DRAIN	OPTIONS	ACCESSORIES	SPECIAL EXECUTIONS
3VS	A: 6000 psi (5 mm bore)	01: AISI 316/L	A: PTFE (up to 200°C at 20 bar)	01: 1/2" NPT-F	02: 1/2" NPT-M		A: No option		
		08: Monel 400							
		09: Hastelloy C276							
		10: Inconel 625							
		11: Inconel 825							
	B: 10000 psi (4 mm bore) (Available with PTFE gasket only)	12: F51 UNS S31803	B: Graphoil (up to 500°C at 20 bar)	03: 1/2" BSPP-F	04: 1/2" BSPP-M	H: No drain	B: NACE MR0103	01: No accessories	A0: Not required
		13: F53 UNS S32750							
		14: F55 UNS S32760							
		16: 6Mo UNS S31254							

• Other materials and connections are available on request

• Example of part number: **3VS A 01 A 03 04 H A 01 A0**

NEEDLE VALVE SERIE 3VS-RATING 6.000 psi-BODY MATERIAL IN AISI 316/L-PTFE PACKING-INLET 1/2"BSPP-F-OUTLET 1/2"BSPP-M-NO DRAIN-NO OPTION-NO ACCESSORIES

• Please consult the Accessories section starting from page 97 for available accessories