

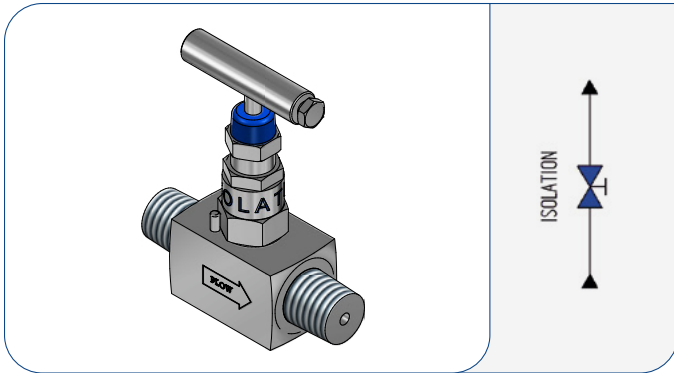
INSTRUMENT MANIFOLDS

NEEDLE VALVE
THREADED MALE/MALE

bulk

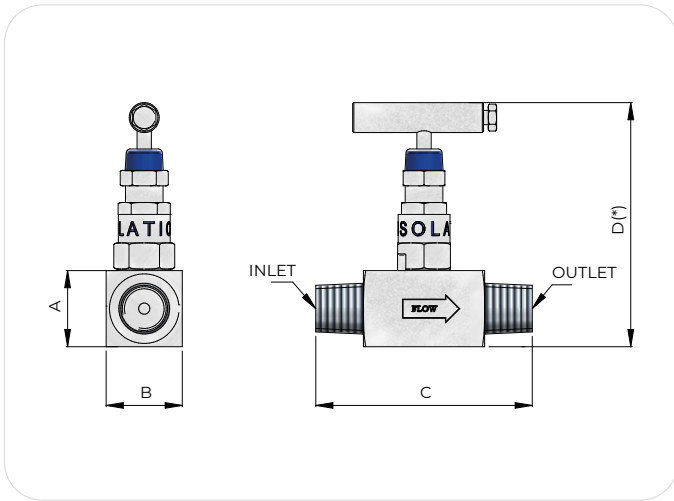


NEEDLE VALVES
4VS SERIE



Technical Features:

- Bar stock body
- Non-Rotating plug tip
- Lock pin to prevent accidental loosening of bonnet
- Dust cap for stem protection
- Externally adjustable gland
- PED-ATEX-EAC



PRESSURE RATING 6000 PSI

| INLET | OUTLET | A | B | C | D(*) |
|------------|------------|------|------|-----|------|
| 1/8" NPT-M | 1/8" NPT-M | 28,5 | 28,5 | 76 | 100 |
| 1/4" NPT-M | 1/4" NPT-M | 28,5 | 28,5 | 76 | 100 |
| 3/8" NPT-M | 3/8" NPT-M | 28,5 | 28,5 | 76 | 100 |
| 1/2" NPT-M | 1/2" NPT-M | 32 | 32 | 89 | 103 |
| 3/4" NPT-M | 3/4" NPT-M | 38 | 38 | 89 | 120 |
| 1" NPT-M | 1" NPT-M | 45 | 45 | 100 | 129 |

(*) APPROXIMATELY WITH VALVE FULLY OPEN

How to order:

| MANIFOLD SERIE | PRESSURE RATING | BODY MATERIAL | PACKING MATERIAL | INLET (PROCESS) | OUTLET (INSTRUMENT) | DRAIN | OPTIONS | ACCESSORIES | SPECIAL EXECUTIONS | |
|----------------|---|--------------------|--|-----------------|---------------------|-------|-----------------|----------------------|-----------------------|---------------------|
| 4VS | A: 6000 psi (5 mm bore) | 01: AISI 316/L | A: PTFE (up to 200°C at 20 bar) | 02: 1/2"NPT-M | 02: 1/2"NPT-M | | A: No option | | | |
| | | 08: Monel 400 | | | | | | | | |
| | | 09: Hastelloy C276 | | | | | | | | |
| | | 10: Inconel 625 | | | | | | | | |
| | | 11: Inconel 825 | | | | | | | | |
| | B: 10000 psi (4 mm bore) (Available with PTFE gasket only) | 12: F51 UNS S31803 | B: Graphoil (up to 500°C at 20 bar) | 04: 1/2" BSPP-M | 04: 1/2"BSPP-M | | H: No drain | B: NACE MR0103 | 01: No accessories | A0: Not required |
| | | 13: F53 UNS S32750 | | | | | | | | |
| | | 14: F55 UNS S32760 | | | | | | | | |
| | | 16: 6Mo UNS S31254 | | | | | | | | |
| | | | | | | | | | | |

• Other materials and connections are available on request

• Example of part number: **4VS A 01 A 04 04 H A 01 A0**

NEEDLE VALVE SERIE 4VS-RATING 6.000 psi-BODY MATERIAL IN AISI 316/L-PTFE PACKING-INLET AND OUTLET 1/2"BSPP-M-NO DRAIN-NO OPTION-NO ACCESSORIES

• Please consult the Accessories section starting from page 97 for available accessories