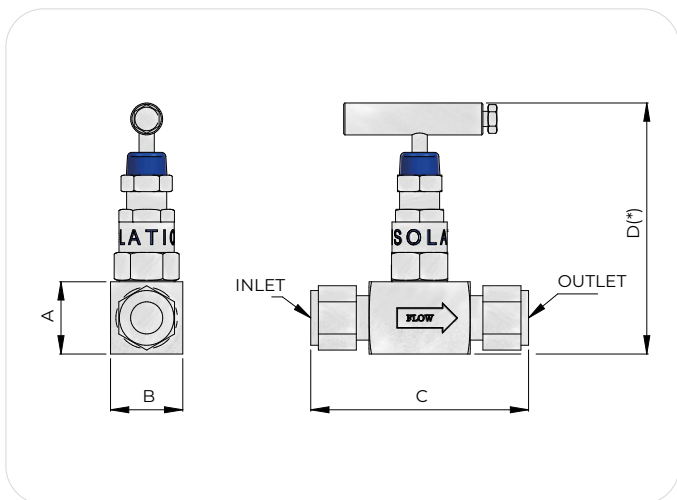


Technical Features:

- Bar stock body
- Non-Rotating plug tip
- Lock pin to prevent accidental loosening of bonnet
- Dust cap for stem protection
- Externally adjustable gland
- PED-ATEX-EAC



PRESSURE RATING 6000 PSI

INLET	OUTLET	A	B	C	D(*)
1/4" O.D.	1/4" O.D.	28,5	28,5	76	100
3/8" O.D.	3/8" O.D.	28,5	28,5	76	100
1/2" O.D.	1/2" O.D.	32	32	89	103
6 mm O.D.	6 mm O.D.	28,5	28,5	76	100
8 mm O.D.	8 mm O.D.	28,5	28,5	89	100
10 mm O.D.	10 mm O.D.	28,5	28,5	89	100
12 mm O.D.	12 mm O.D.	28,5	28,5	89	100

(*) APPROXIMATELY WITH VALVE FULLY OPEN

How to order:

MANIFOLD SERIE	PRESSURE RATING	BODY MATERIAL	PACKING MATERIAL	INLET (PROCESS)	OUTLET (INSTRUMENT)	DRAIN	OPTIONS	ACCESSORIES	SPECIAL EXECUTIONS
5VS	C: Pressure rating according to tubing thickness	01: AISI 316/L	A: PTFE (up to 200°C at 20 bar)	41: 1/2" o.d.	41: 1/2" o.d.	H: No drain	A: No option	01: No accessories	A0: Not required
		08: Monel 400							
		09: Hastelloy C276							
		10: Inconel 625							
		11: Inconel 825	B: Graphoil (up to 500°C at 20 bar)	48: 12 mm o.d.	48: 12 mm o.d.	C: Degreased for O ₂			
		12: F51 UNS S31803							
		13: F53 UNS S32750							
		14: F55 UNS S32760							
16: 6Mo UNS S31254									

• Other materials and connections are available on request

• Example of part number: **5VS C 01 A 48 48 H A 01 A0**

NEEDLE VALVE SERIE 5VS-PRESSURE RATING ACCORDING TO TUBING THICKNESS-BODY MATERIAL IN AISI 316/L-PTFE PACKING-INLET AND OUTLET 12 mm o.d.-NO DRAIN-NO OPTION-NO ACCESSORIES

• Please consult the Accessories section starting from page 97 for available accessories